



US00D567437S

(12) **United States Design Patent**
Smith

(10) **Patent No.:** **US D567,437 S**
(45) **Date of Patent:** **** Apr. 22, 2008**

(54) **FUEL CARTRIDGE FOR A CIGARETTE LIGHTER**

(76) Inventor: **Andrew Smith**, 32 Shore Rd., Pascoag, RI (US) 02859

(**) Term: **14 Years**

(21) Appl. No.: **29/284,843**

(22) Filed: **Sep. 17, 2007**

(51) **LOC (8) Cl.** **27-05**

(52) **U.S. Cl.** **D27/161; D9/693**

(58) **Field of Classification Search** 431/153,
431/254, 344, 277; D27/141, 144, 154-155,
D27/161; D9/693

See application file for complete search history.

(56) **References Cited**

U.S. PATENT DOCUMENTS

D190,521 S *	6/1961	Newman	D27/154
3,784,352 A *	1/1974	Court	431/277
3,816,057 A *	6/1974	Semenko	431/253
D319,323 S *	8/1991	Shike et al.	D27/144
D402,401 S *	12/1998	Duke	D27/161
D407,845 S *	4/1999	Ruscitti	D27/144

D527,139 S * 8/2006 Deahl D27/161

* cited by examiner

Primary Examiner—Jennifer Rivard

(74) *Attorney, Agent, or Firm*—Francis Marino

(57) **CLAIM**

The ornamental design for the fuel cartridge for a cigarette lighter, as shown and described.

DESCRIPTION

FIG. 1 is a front perspective view of a fuel cartridge according to my new design;

FIG. 2 is a left side elevation view of the cartridge of FIG. 1 (the right side view being a mirror image thereof);

FIG. 3 is a rear elevation view of the cartridge of FIG. 1;

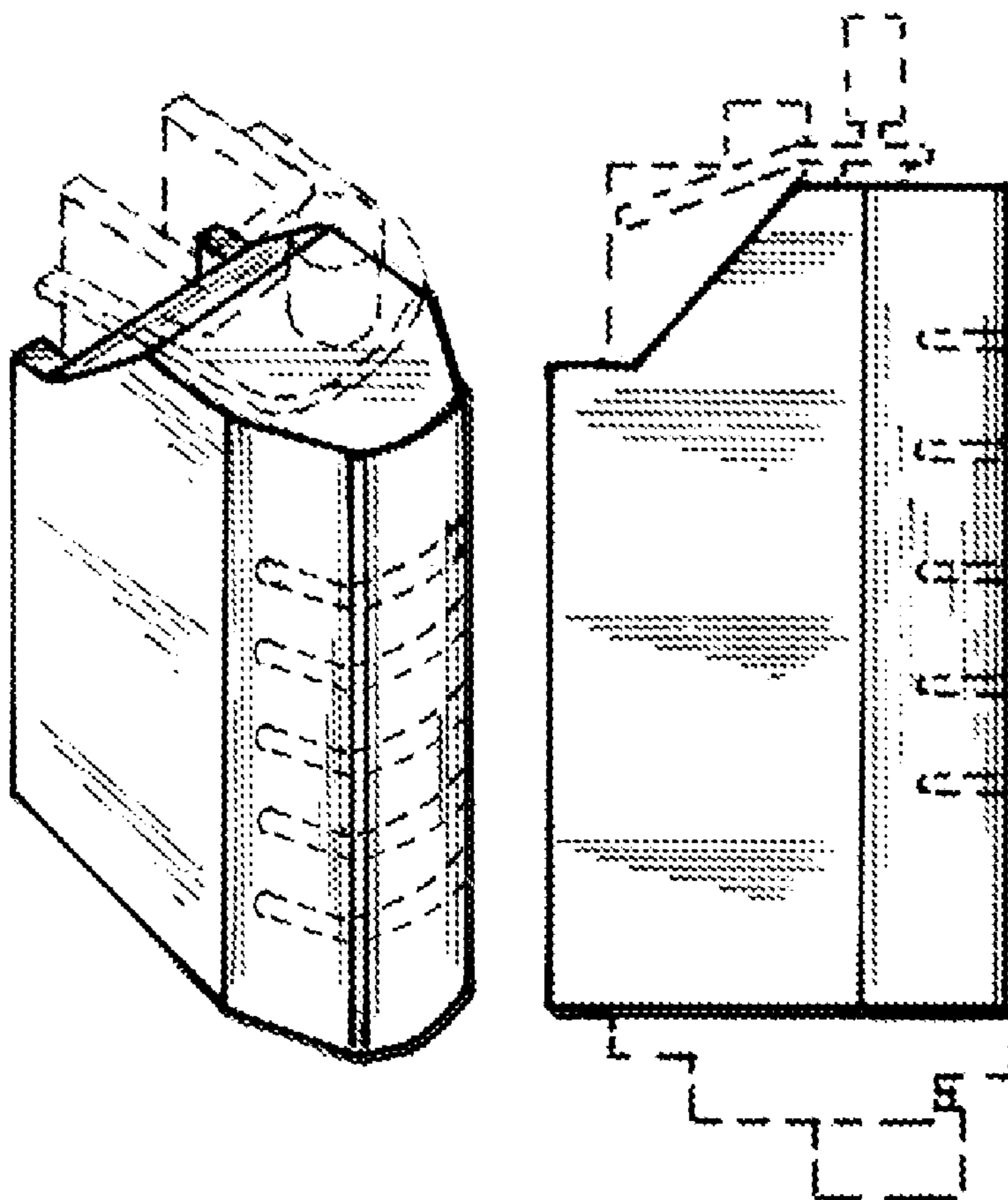
FIG. 4 is a front elevation view of the cartridge of FIG. 1;

FIG. 5 is a bottom plan view of the cartridge of FIG. 1; and,

FIG. 6 is a top plan view of the cartridge of FIG. 1.

The utilitarian features shown in broken line form no part of the claimed design.

1 Claim, 1 Drawing Sheet



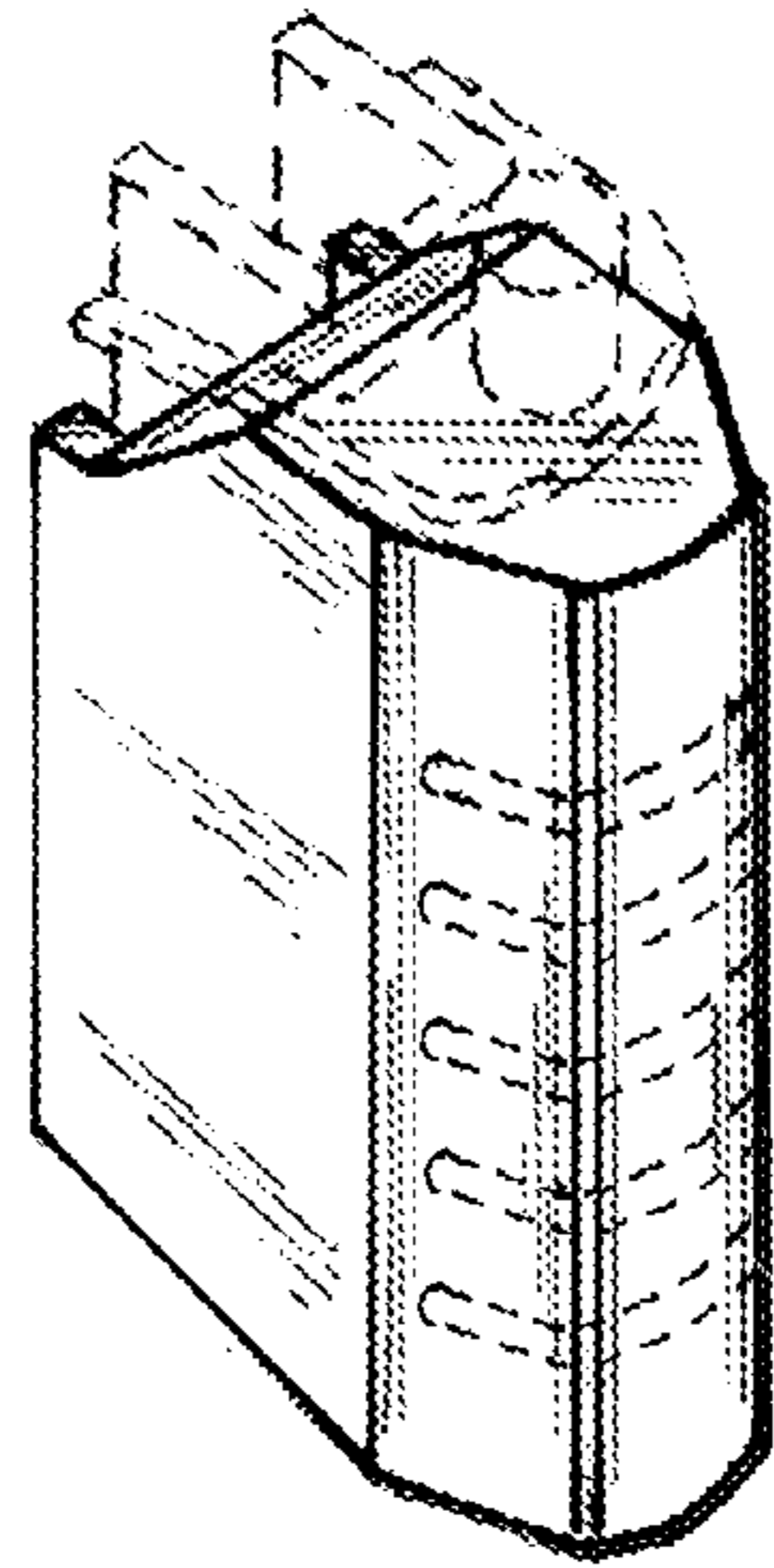


Fig. 1.

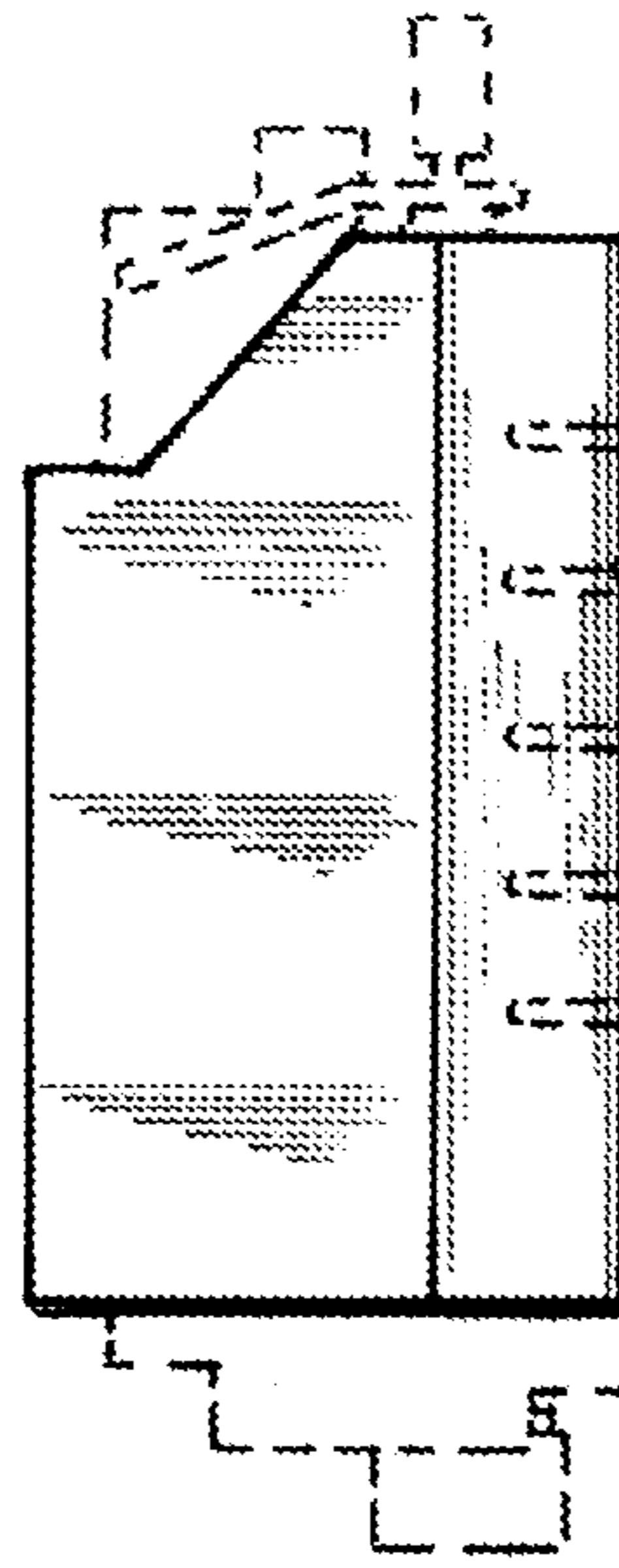


Fig. 2.

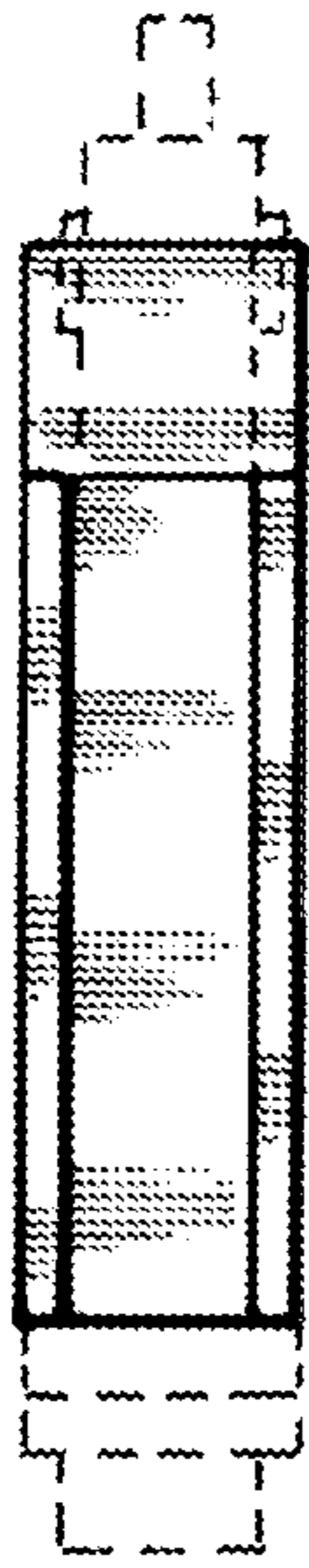


Fig. 3.

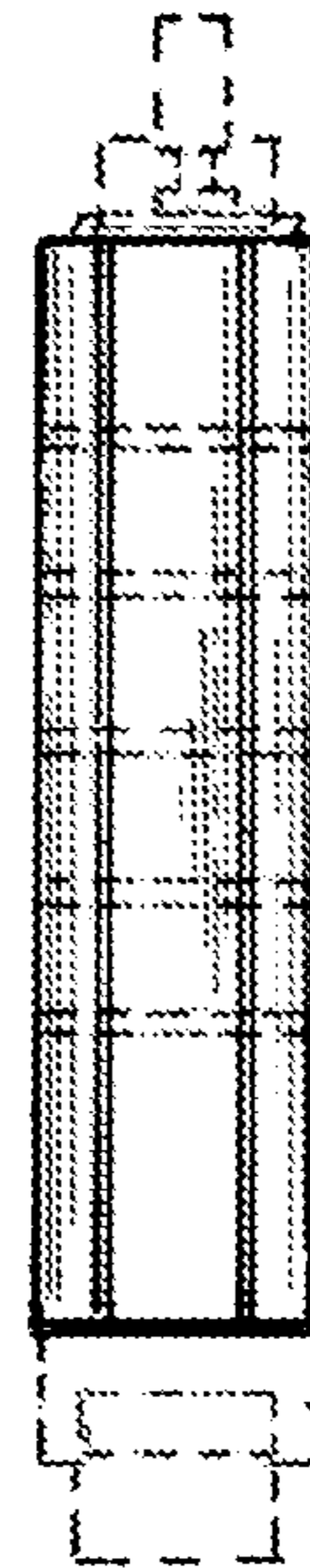


Fig. 4.

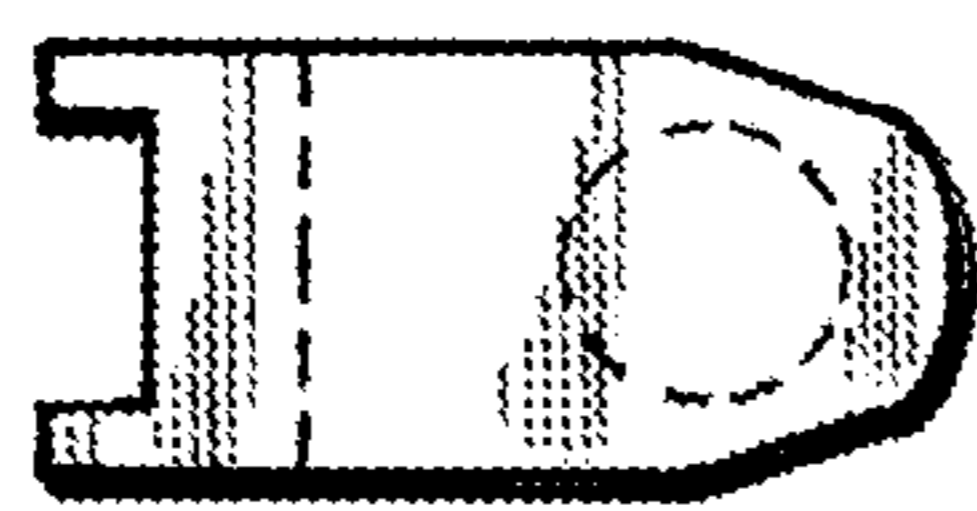


Fig. 5.



Fig. 6.