



US00D567434S

(12) **United States Design Patent**  
**Itiravivong**

(10) **Patent No.:** **US D567,434 S**

(45) **Date of Patent:** **\*\* Apr. 22, 2008**

(54) **LIGHT FIXTURE**

(75) Inventor: **Ravi Itiravivong**, Chicago, IL (US)

(73) Assignee: **Broan-NuTone LLC**, Hartford, WI (US)

(\*\*) Term: **14 Years**

(21) Appl. No.: **29/272,990**

(22) Filed: **Feb. 23, 2007**

(51) **LOC (8) Cl.** ..... **26-99**

(52) **U.S. Cl.** ..... **D26/142; D26/89**

(58) **Field of Classification Search** ..... D26/72,  
D26/88, 89, 118, 138, 142, 149, 152; D23/377,  
D23/379, 411; 362/147, 150, 361, 363, 404  
See application file for complete search history.

(56) **References Cited**

U.S. PATENT DOCUMENTS

D43,166 S	10/1912	Schepmoes	
D47,899 S	9/1915	Shiminsky	
D49,566 S	8/1916	Bayley	
D49,703 S	9/1916	Bayley	
D49,790 S	10/1916	Bayley	
D51,188 S	8/1917	Snow	
1,435,024 A	11/1922	Shapiro	
1,502,617 A	7/1924	Cline	
D67,288 S	5/1925	Kopp	
D95,202 S *	4/1935	Glatthar et al.	D26/88
D107,761 S	1/1938	Fair	
2,255,431 A *	9/1941	Marden et al.	313/485
D139,009 S	10/1944	Denenberg	
D170,084 S *	7/1953	Glatthar et al.	D26/89
D190,387 S *	5/1961	Wince	D26/89
D221,351 S	8/1971	Remington	
D288,007 S	1/1987	Jonas et al.	
D313,479 S	1/1991	Goldberg	
D320,439 S	10/1991	Harper	
D341,441 S *	11/1993	Shapiro	D26/118
D372,325 S	7/1996	Hackworth	
D383,087 S	9/1997	Weder et al.	
D387,700 S	12/1997	Shieh	
D392,918 S	3/1998	Weder et al.	

D402,502 S	12/1998	Liaw	
D404,167 S	1/1999	Dolan	
D411,643 S	6/1999	Lin	
D413,547 S	9/1999	Wagner	
D435,136 S	12/2000	Miranda	
D436,682 S	1/2001	Ewing et al.	
D461,270 S	8/2002	Hsu	
D464,682 S	10/2002	Lin	
D469,205 S	1/2003	Chelf	
D475,802 S *	6/2003	Homann	D26/74
D478,393 S	8/2003	Alduby	
D483,869 S	12/2003	Tran et al.	
D483,897 S	12/2003	Hsu	

(Continued)

**OTHER PUBLICATIONS**

Hubbarton Forge, photographs and descriptions of Presidio Tryne lighting products, dated 1989-2004.

(Continued)

*Primary Examiner*—Clare E Heflin  
(74) *Attorney, Agent, or Firm*—Michael Best & Friedrich LLP

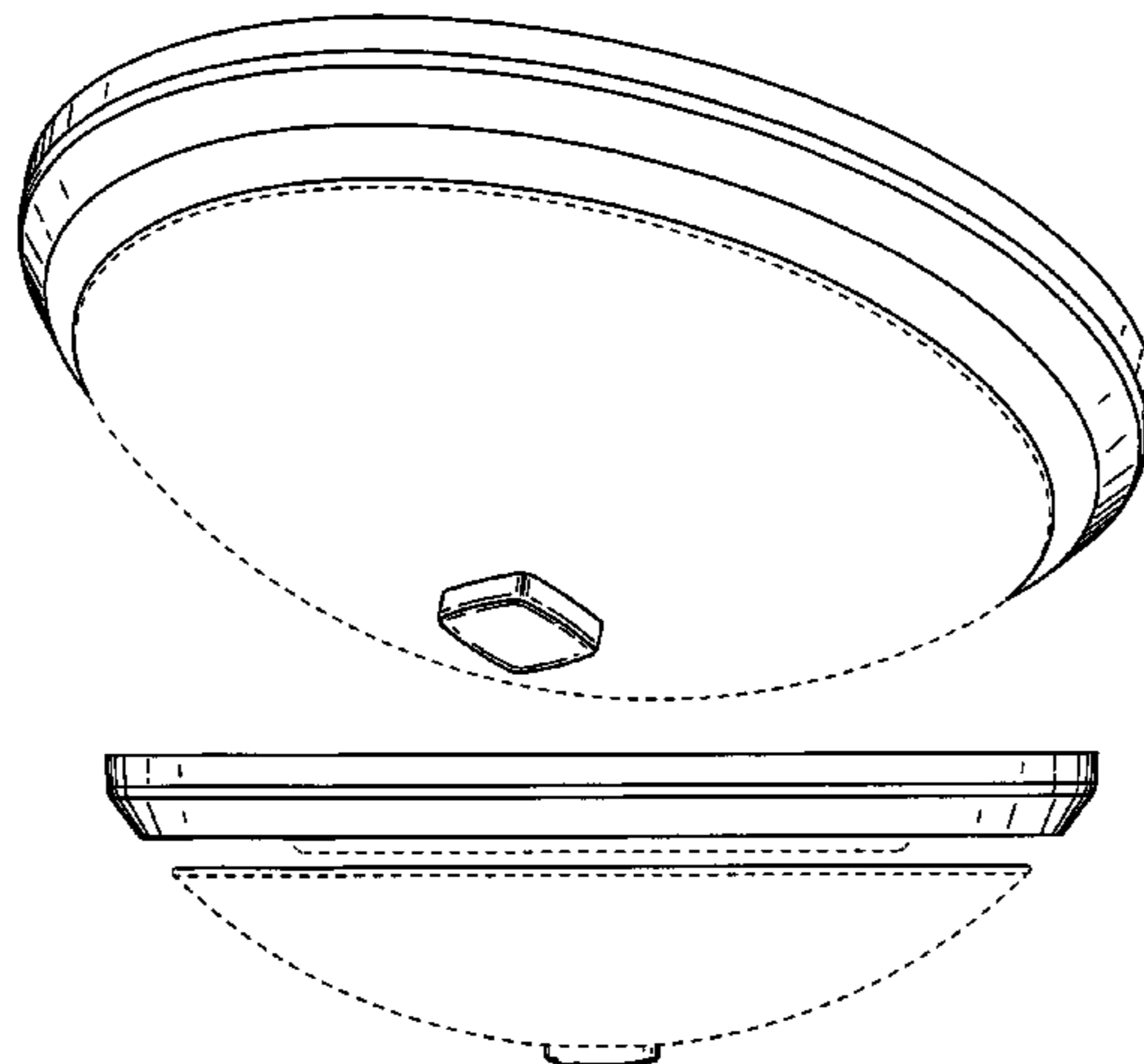
(57) **CLAIM**

I claim the ornamental design for a light fixture, as shown and described.

**DESCRIPTION**

FIG. 1 is a perspective view of a light fixture.  
FIG. 2 is bottom view of the light fixture shown in FIG. 1; and,  
FIG. 3 is a side view of the light fixture shown in FIG. 1.  
The present application is directed to the shape and contour of the design illustrated in the drawings. The broken line showing of the environment is for illustrative purposes only and forms no part of the claimed design.

**1 Claim, 2 Drawing Sheets**



U.S. PATENT DOCUMENTS

D485,002 S	*	1/2004	Lin	.....	D26/85
D486,278 S		2/2004	Nauert		
D499,505 S		12/2004	Benensohn		
D503,824 S		4/2005	Curtin		
D503,992 S		4/2005	Curtin		
D514,732 S		2/2006	Benensohn		
D533,956 S		12/2006	Vladika		
D534,301 S		12/2006	Roland		
D539,967 S		4/2007	Hsu		
D544,986 S	*	6/2007	Benensohn	.....	D26/79
D544,988 S		6/2007	Benensohn		
D546,494 S		7/2007	Pickett		
D547,484 S		7/2007	Guercio		
D549,866 S	*	8/2007	Pan	.....	D26/89
D551,382 S		9/2007	Curtin		

OTHER PUBLICATIONS

Broan Nutone, photograph and description of fan light model No. 741BR, [www.broan.com](http://www.broan.com), webpage visited May 18, 2007.  
Broan Nutone, photograph and description of fan light model No. 757PT, [www.broan.com](http://www.broan.com), webpage visited May 18, 2007.  
Farrey's, photographs and descriptions of Casual Indoor Ceiling Fixtures, [www.farreys.com/lighting/fixtures/ceiling\\_casual\\_01.html](http://www.farreys.com/lighting/fixtures/ceiling_casual_01.html), webpage visited May 18, 2007.

Farrey's, photographs and descriptions of Chelsea Harbor Collection by Westinghouse Lighting, [www.farreys.com/lighting/westinghouse/collection\\_chelsea\\_harbor.html](http://www.farreys.com/lighting/westinghouse/collection_chelsea_harbor.html), webpage visited May 18, 2007.

Farrey's, photographs and descriptions of Contemporary Indoor Ceiling Fixtures, [www.farreys.com/lighting/fixtures/ceiling\\_contemporary\\_01.html](http://www.farreys.com/lighting/fixtures/ceiling_contemporary_01.html), webpage visited May 18, 2007.

Farrey's, photographs and descriptions of Energy Saving Indoor Ceiling Fixtures, [www.farreys.com/lighting/fixtures/ceiling\\_energy\\_saving\\_01.html](http://www.farreys.com/lighting/fixtures/ceiling_energy_saving_01.html), webpage visited May 18, 2007.

Farrey's, photographs and descriptions of Traditional Indoor Ceiling Fixtures, [www.farreys.com/lighting/fixtures/ceiling\\_traditional\\_01.html](http://www.farreys.com/lighting/fixtures/ceiling_traditional_01.html), webpage visited May 18, 2007.

Farrey's, photographs and descriptions of Transitional Indoor Ceiling Fixtures, [www.farreys.com/lighting/fixtures/ceiling\\_transitional\\_01.html](http://www.farreys.com/lighting/fixtures/ceiling_transitional_01.html), webpage visited May 18, 2007.

Farrey's, photographs and descriptions of Fluorescent Fixture Group Collection by Kichler Lighting, [www.farreys.com/lighting/kichler/collection\\_fluorescent\\_fixture\\_group\\_10301WH...](http://www.farreys.com/lighting/kichler/collection_fluorescent_fixture_group_10301WH...), webpage visited May 18, 2007.

\* cited by examiner

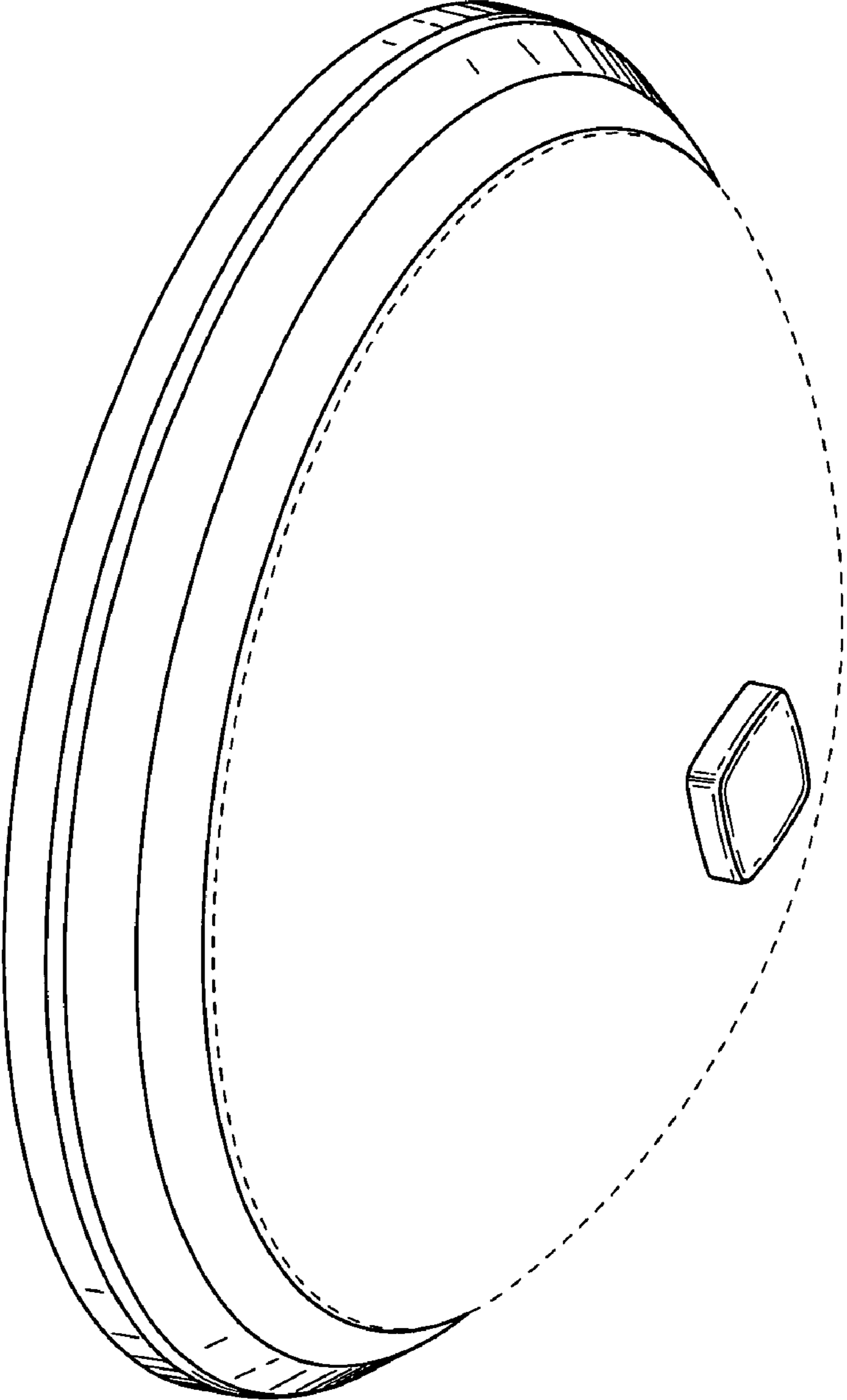
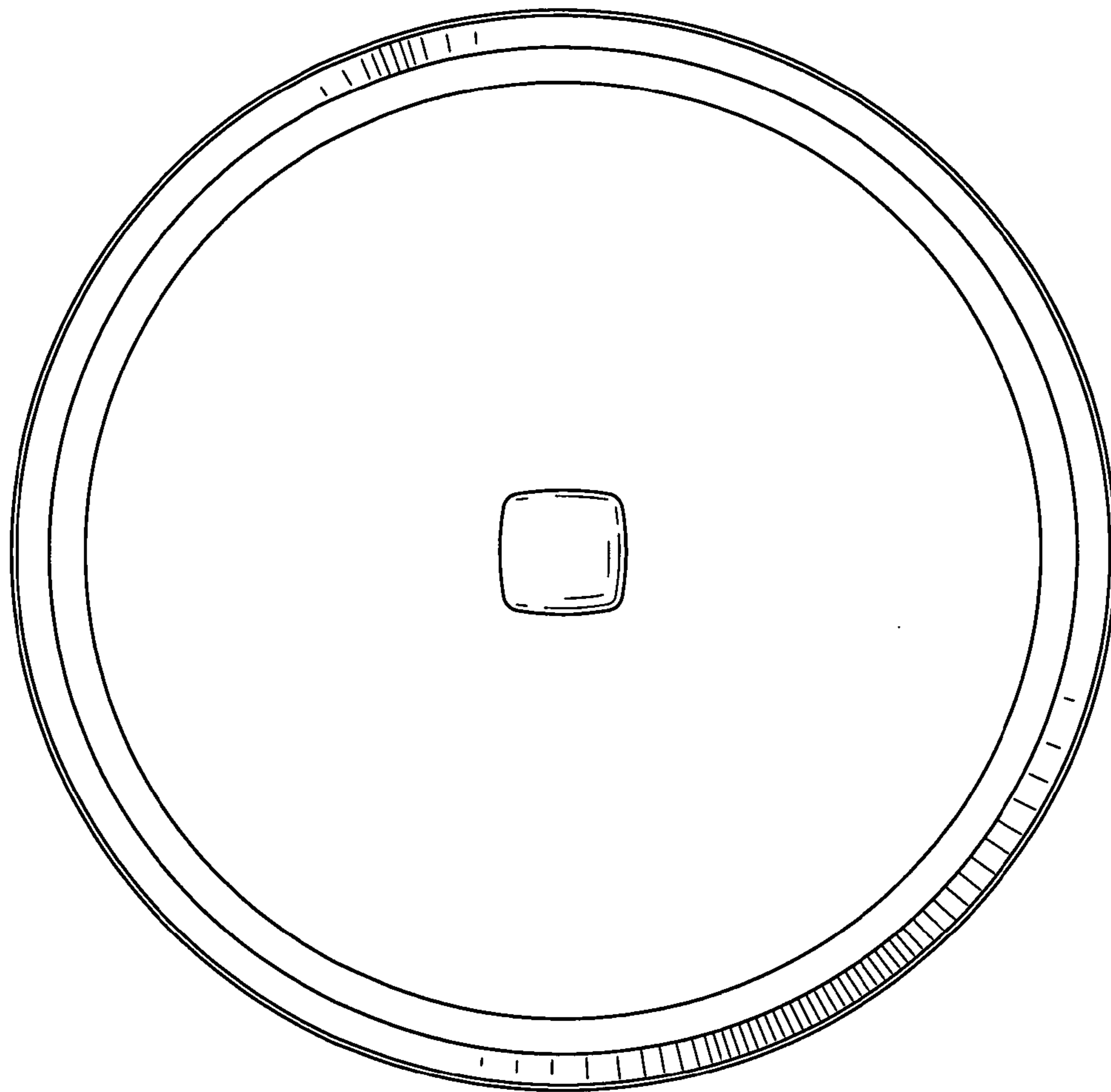
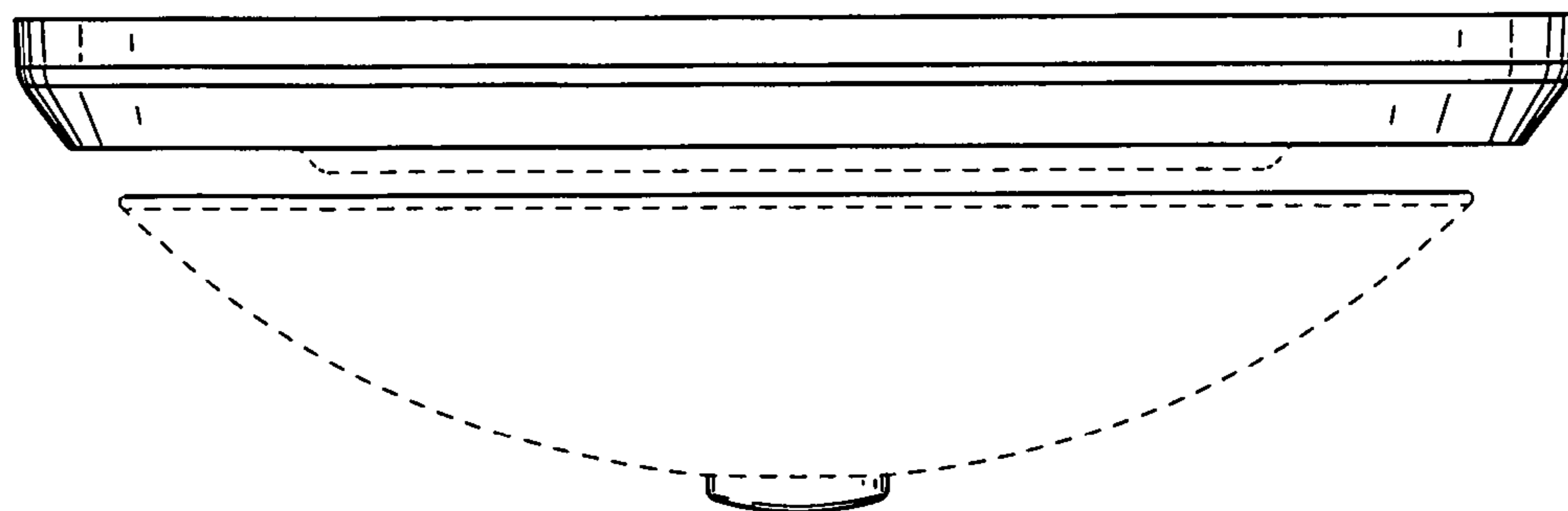


FIG. 1



**FIG. 2**



**FIG. 3**