

US00D567432S

(12) **United States Design Patent** (10) **Patent No.:** **US D567,432 S**  
**Gordin et al.** (45) **Date of Patent:** **\*\* Apr. 22, 2008**

(54) **LIGHTING FIXTURE SHORT VISOR**

(75) Inventors: **Myron K. Gordin**, Oskaloosa, IA (US);  
**Timothy J. Boyle**, Oskaloosa, IA (US)

(73) Assignee: **Musco Corporation**, Oskaloosa, IA  
(US)

(\*\*) Term: **14 Years**

(21) Appl. No.: **29/221,785**

(22) Filed: **Jan. 18, 2005**

(51) **LOC (8) Cl.** ..... **26-99**

(52) **U.S. Cl.** ..... **D26/118**

(58) **Field of Classification Search** ..... D26/63,  
D26/134, 133, 131, 2, 24, 26, 36, 61, 67,  
D26/72, 113, 118, 122, 123, 124, 128, 139;  
362/518, 512, 350, 348, 346, 398, 397, 294,  
362/293, 282, 281, 267, 263, 298, 297, 261,  
362/257, 217, 514, 289, 341, 347  
See application file for complete search history.

(56) **References Cited**

**U.S. PATENT DOCUMENTS**

- 1,104,330 A \* 7/1914 Townsend ..... 362/282
- 1,559,464 A \* 10/1925 Sachse ..... 362/293
- 1,600,682 A \* 9/1926 McCarley ..... 362/348
- 1,704,894 A \* 3/1929 Hendrikson ..... 362/227
- 1,711,479 A \* 4/1929 Halvorson, Jr. .... 362/282
- 1,785,694 A \* 12/1930 Day ..... 246/473.3
- D113,444 S \* 2/1939 Trippe ..... D26/36
- 2,447,923 A 8/1948 Tuck
- 2,578,451 A \* 12/1951 Rex ..... 362/297
- 3,780,285 A \* 12/1973 Appeldorn et al. .... 362/311
- D261,061 S \* 9/1981 Wiley ..... D26/134
- D261,684 S \* 11/1981 Westover ..... D26/63
- D281,355 S \* 11/1985 Fraley et al. .... D26/2
- D295,326 S \* 4/1988 Dahlgren ..... D26/63
- 4,760,499 A \* 7/1988 Il ..... 362/512
- 4,816,974 A 3/1989 Gordin
- 4,947,303 A 8/1990 Gordin
- 5,012,398 A 4/1991 Jones
- 5,134,557 A \* 7/1992 Gordin et al. .... 362/261

- 5,161,883 A 11/1992 Gordin
- 5,313,379 A \* 5/1994 Lemons et al. .... 362/298
- 5,519,590 A 5/1996 Gordin
- D385,651 S \* 10/1997 Stevens et al. .... D26/133
- 5,707,142 A 1/1998 Gordin
- 5,730,521 A \* 3/1998 Spink et al. .... 362/217
- 5,856,721 A 1/1999 Gordin
- 5,860,733 A 1/1999 Stone
- D432,693 S \* 10/2000 Wachter et al. .... D26/63
- 6,203,176 B1 3/2001 Gordin
- D452,027 S \* 12/2001 Mashevsky ..... D26/63
- 6,398,392 B2 6/2002 Gordin
- 6,502,965 B1 \* 1/2003 Bradford ..... 362/346
- 2003/0147240 A1 8/2003 Gordin

**FOREIGN PATENT DOCUMENTS**

EP 1 172 839 A2 1/2002

\* cited by examiner

*Primary Examiner*—Freda S. Nunn  
*Assistant Examiner*—Kevin K Rudzinski  
(74) *Attorney, Agent, or Firm*—McKee, Voorhees & Sease,  
P.L.C.

(57) **CLAIM**

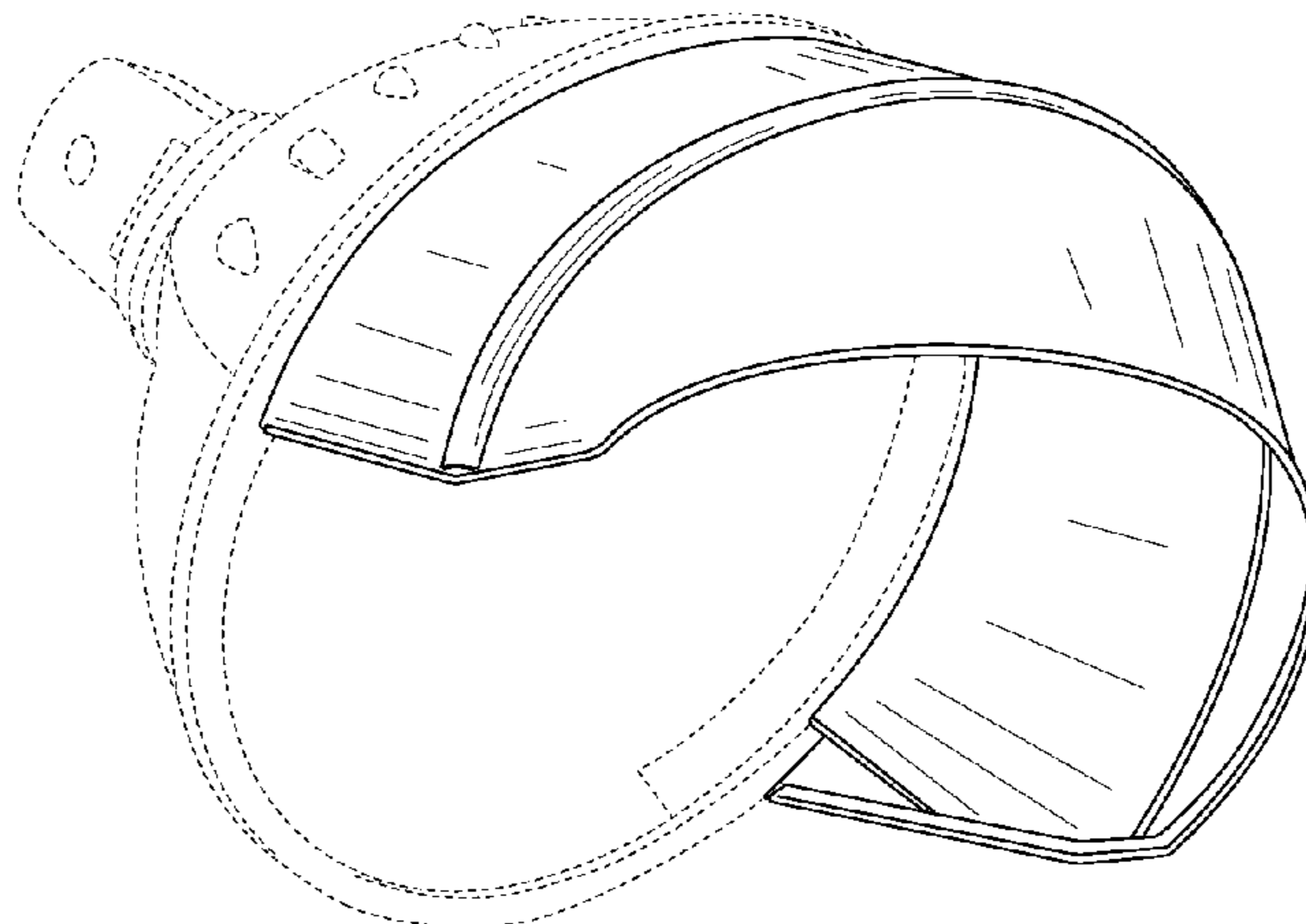
We claim the ornamental design for a lighting fixture short visor, as shown and described.

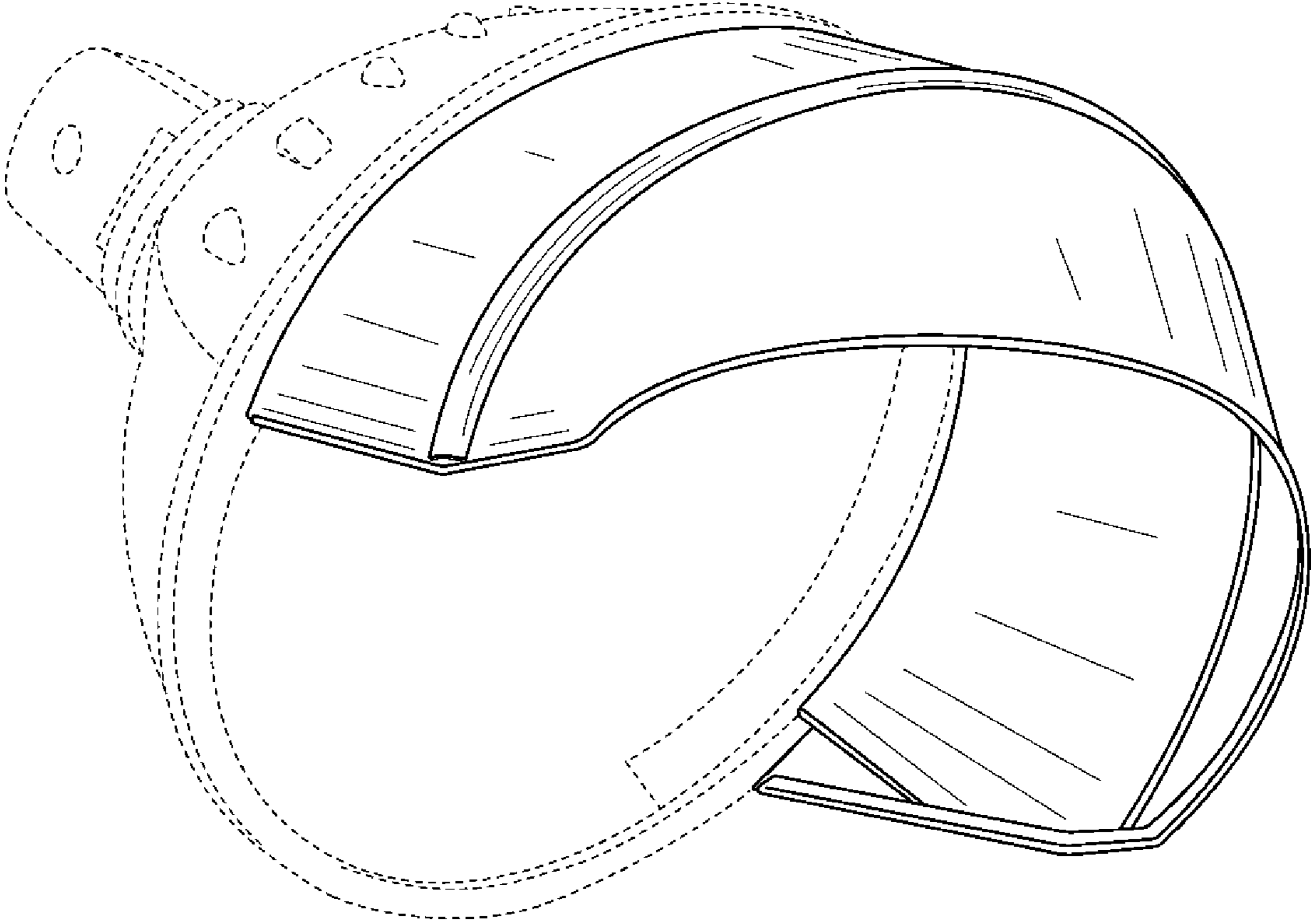
**DESCRIPTION**

FIG. 1 is a front, left side perspective view of the lighting fixture short visor;  
FIG. 2 is a top view thereof;  
FIG. 3 is a rear, right side perspective view thereof;  
FIG. 4 is a left side elevation view thereof;  
FIG. 5 is a right side elevation view thereof;  
FIG. 6 is a front elevation view thereof; and,  
FIG. 7 is a bottom view thereof.

The broken line showing is included for the purpose of illustration only and forms no part of the claimed design.

**1 Claim, 7 Drawing Sheets**





**FIG. 1**

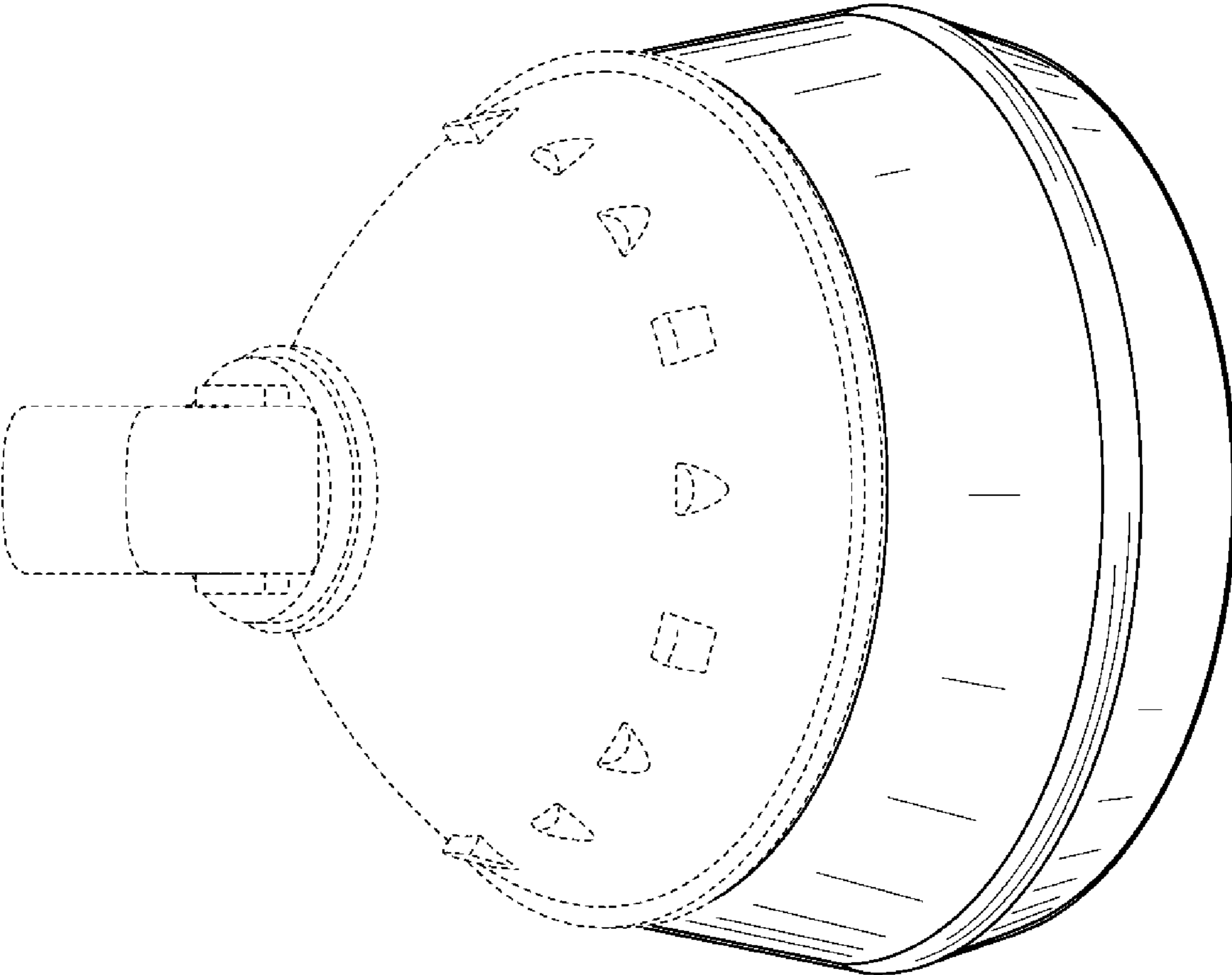
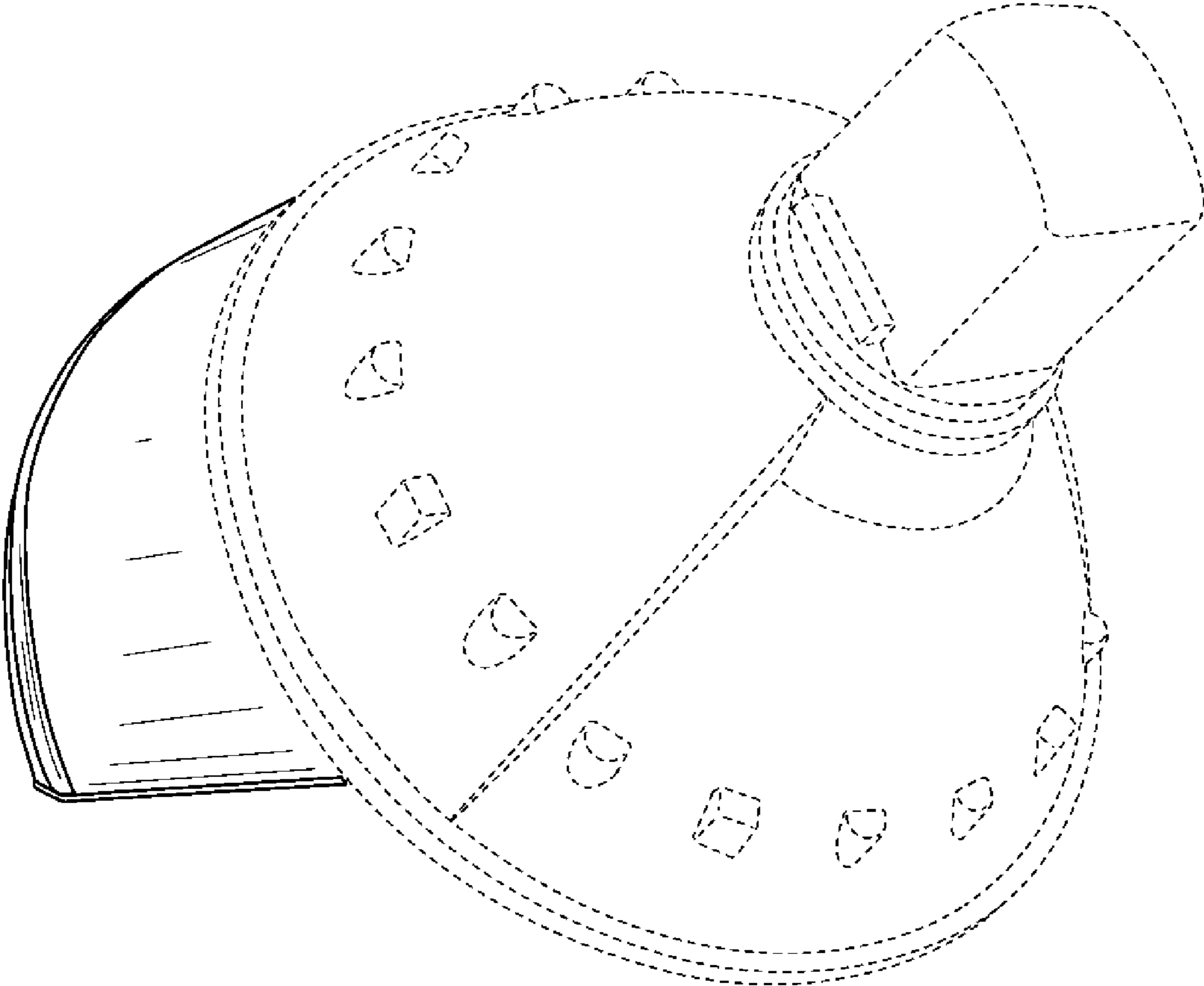
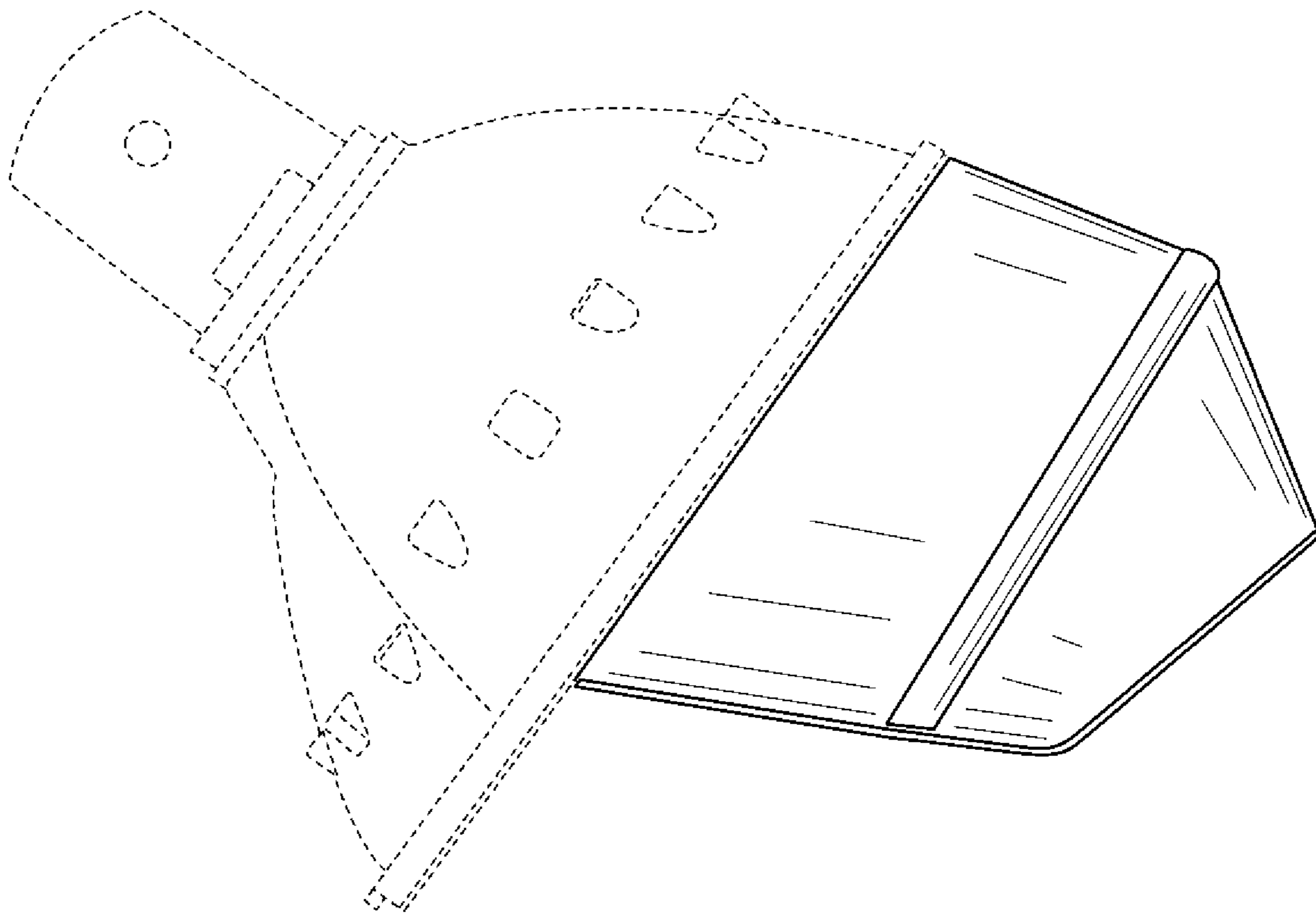


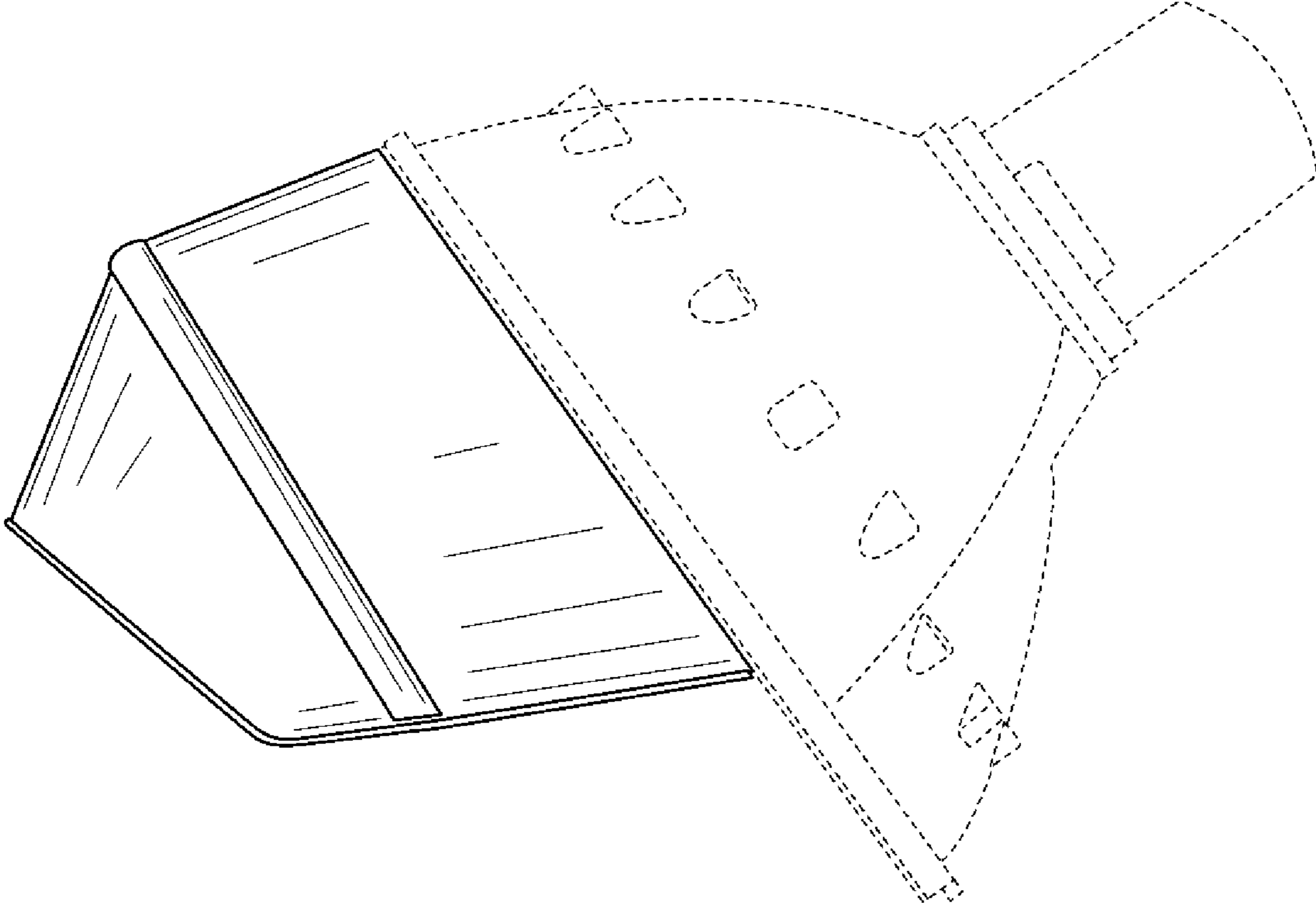
FIG. 2



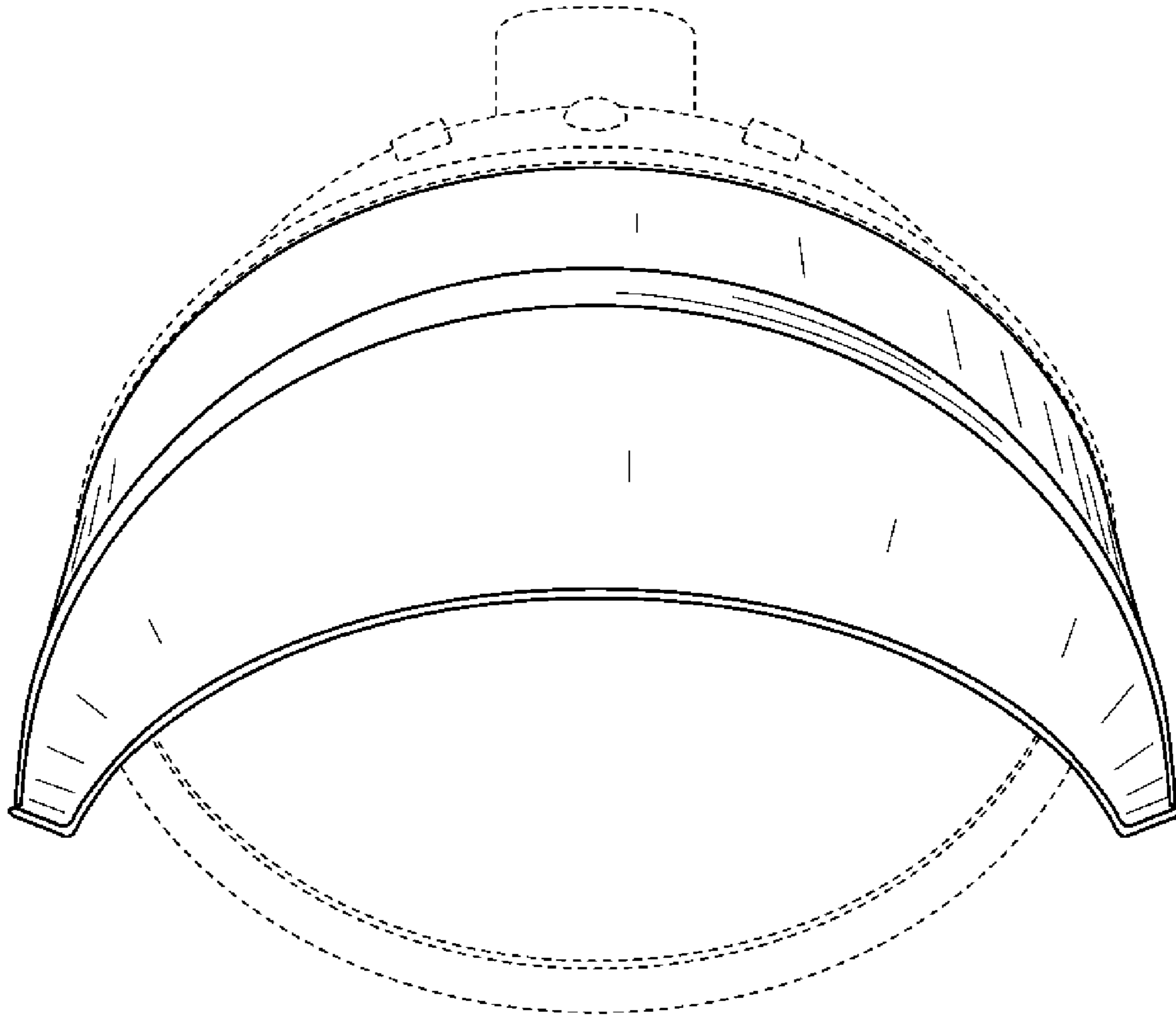
**FIG. 3**



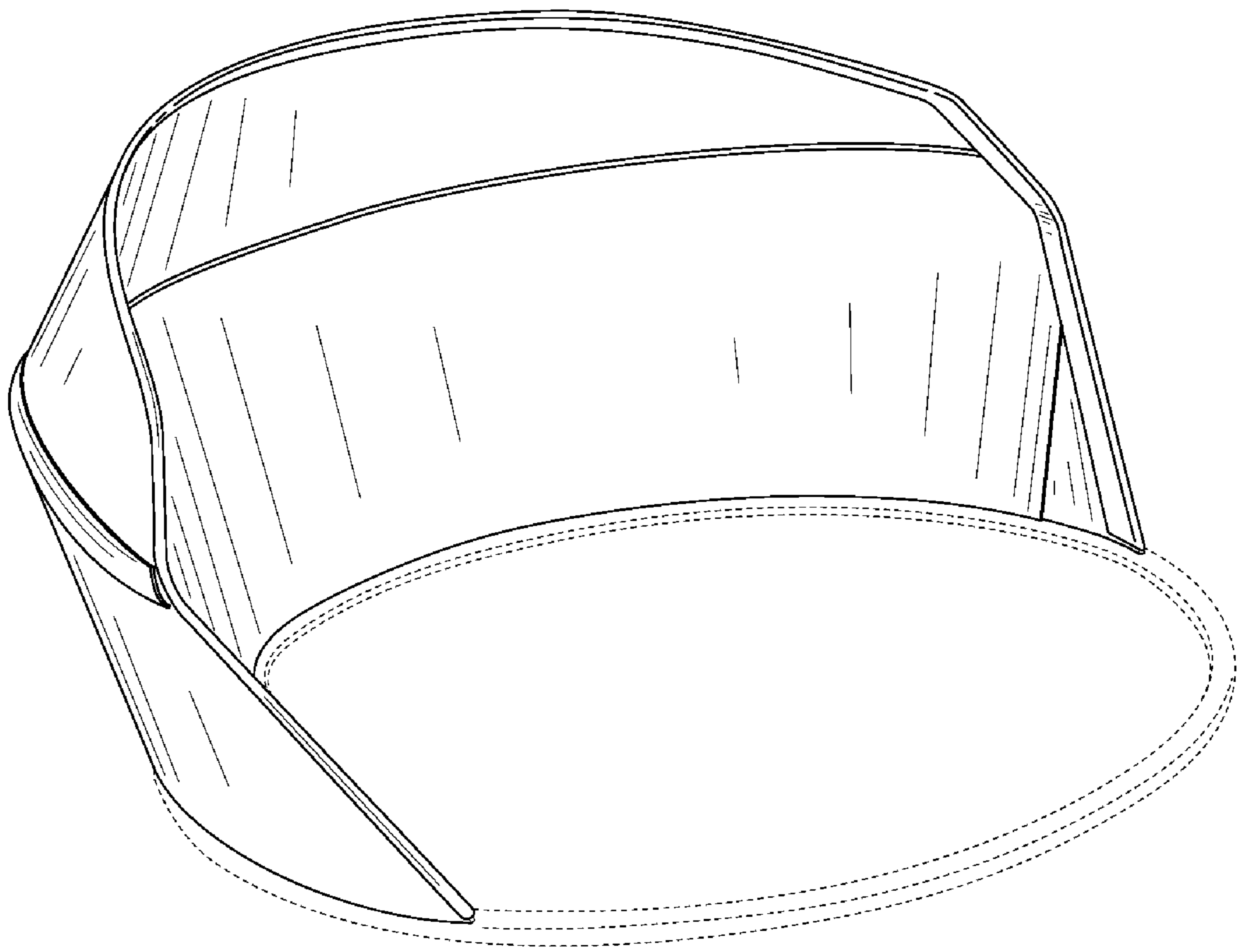
**FIG. 4**



**FIG. 5**



**FIG. 6**



**FIG. 7**