



US00D567426S

(12) **United States Design Patent**
Chiu

(10) **Patent No.:** **US D567,426 S**

(45) **Date of Patent:** **** Apr. 22, 2008**

(54) **WALL LAMP**

(75) Inventor: **Hua-Jung Chiu**, Hsin Chuang (TW)

(73) Assignee: **Davinci Industrial Inc.**, Taipei (TW)

(**) Term: **14 Years**

(21) Appl. No.: **29/274,325**

(22) Filed: **Apr. 17, 2007**

(51) **LOC (8) Cl.** **26-03**

(52) **U.S. Cl.** **D26/85**

(58) **Field of Classification Search** D26/71,
D26/72, 85, 88, 89, 121, 122; 362/147, 348-350,
362/367, 432, 806

See application file for complete search history.

(56) **References Cited**

U.S. PATENT DOCUMENTS

D151,626 S *	11/1948	Kress	D26/85
D187,082 S *	1/1960	Parker, Jr.	D26/85
D284,109 S *	6/1986	Seal, Jr.	D26/72
D336,964 S *	6/1993	Janssen et al.	D26/28
D346,870 S *	5/1994	Houssian	D26/26
D364,479 S *	11/1995	Gilbert	D26/85

D389,270 S *	1/1998	Malmsten	D26/128
D394,518 S *	5/1998	Burrow	D26/85

* cited by examiner

Primary Examiner—Clare E Heflin

(74) *Attorney, Agent, or Firm*—Rosenberg, Klein & Lee

(57) **CLAIM**

The ornamental design for a “wall lamp,” as shown and described.

DESCRIPTION

FIG. 1 is a perspective view of a “wall lamp” showing my new design;

FIG. 2 is a front view thereof;

FIG. 3 is a rear view thereof;

FIG. 4 is a left side view thereof;

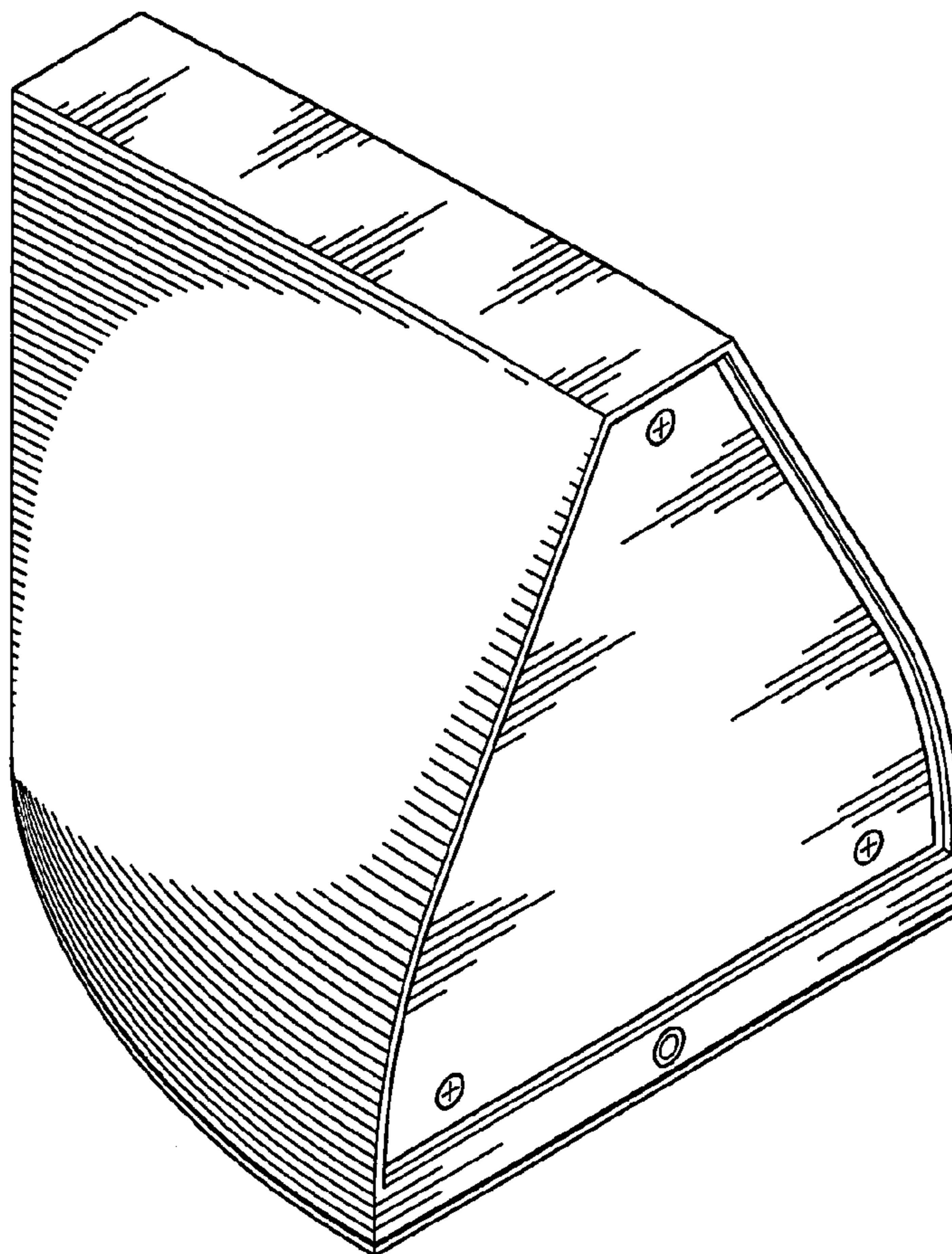
FIG. 5 is a right side view thereof;

FIG. 6 is a top view thereof;

FIG. 7 is a bottom view thereof; and,

FIG. 8 is a perspective view viewed from another visual angle thereof.

1 Claim, 5 Drawing Sheets



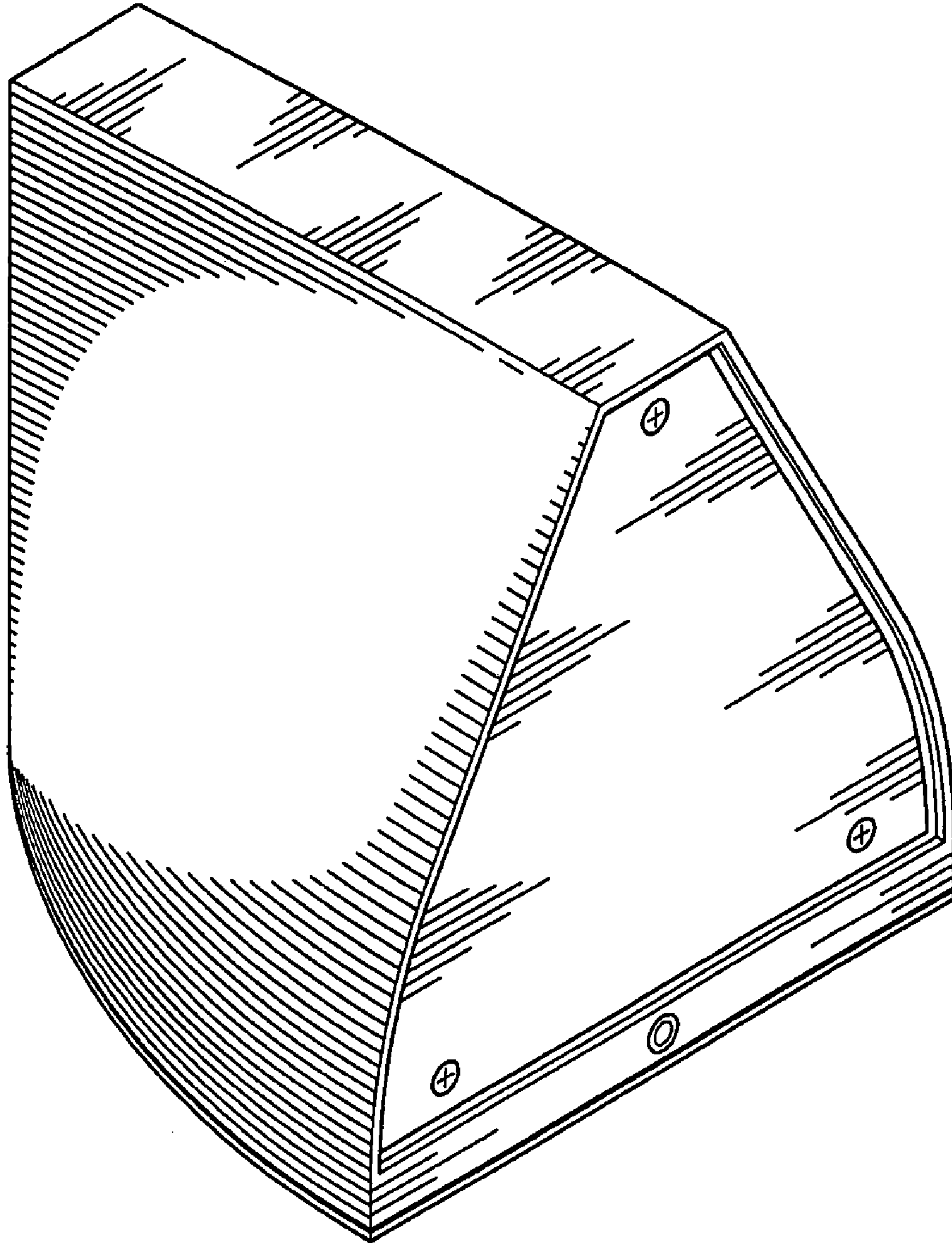


FIG. 1

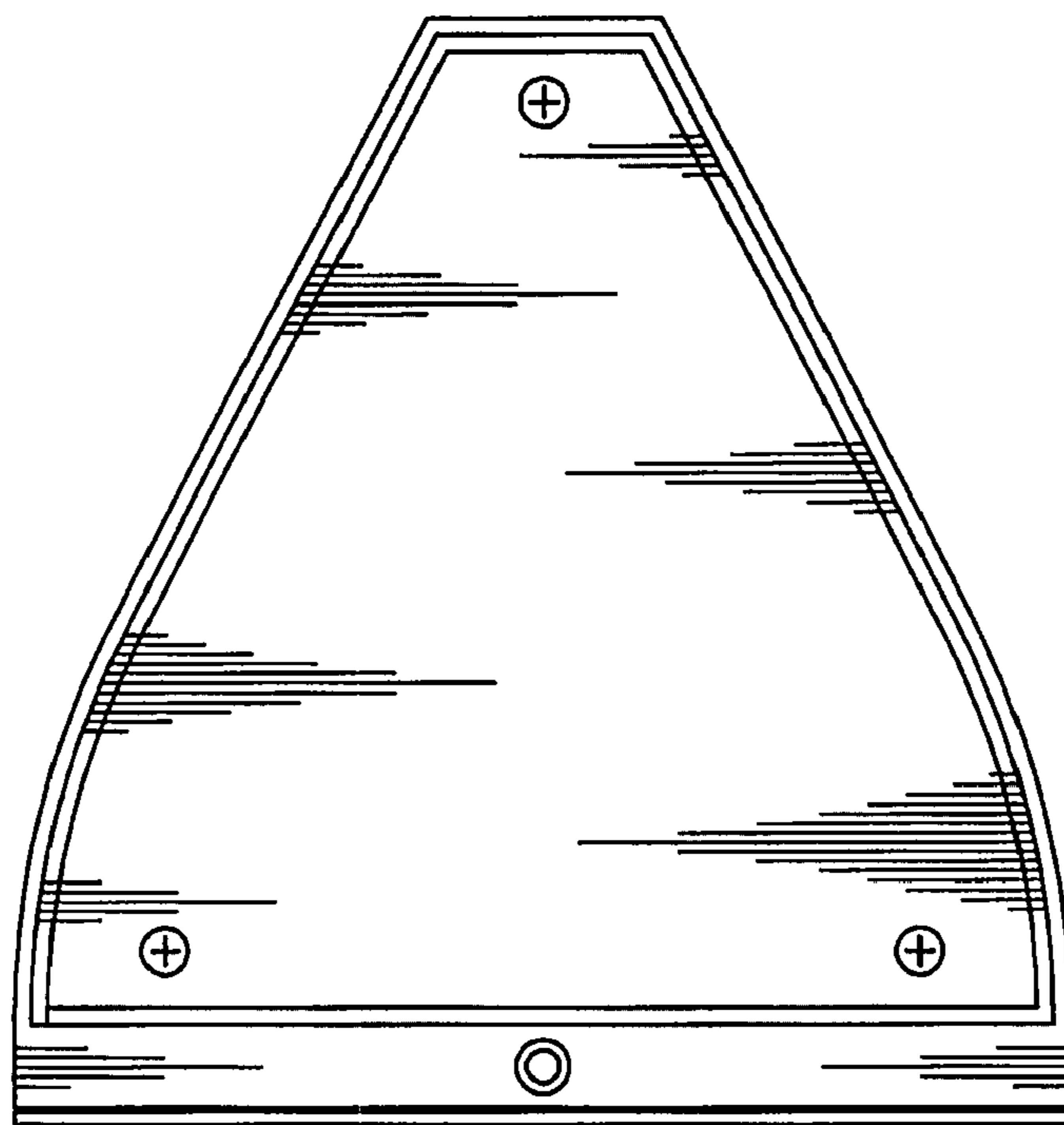


FIG. 2

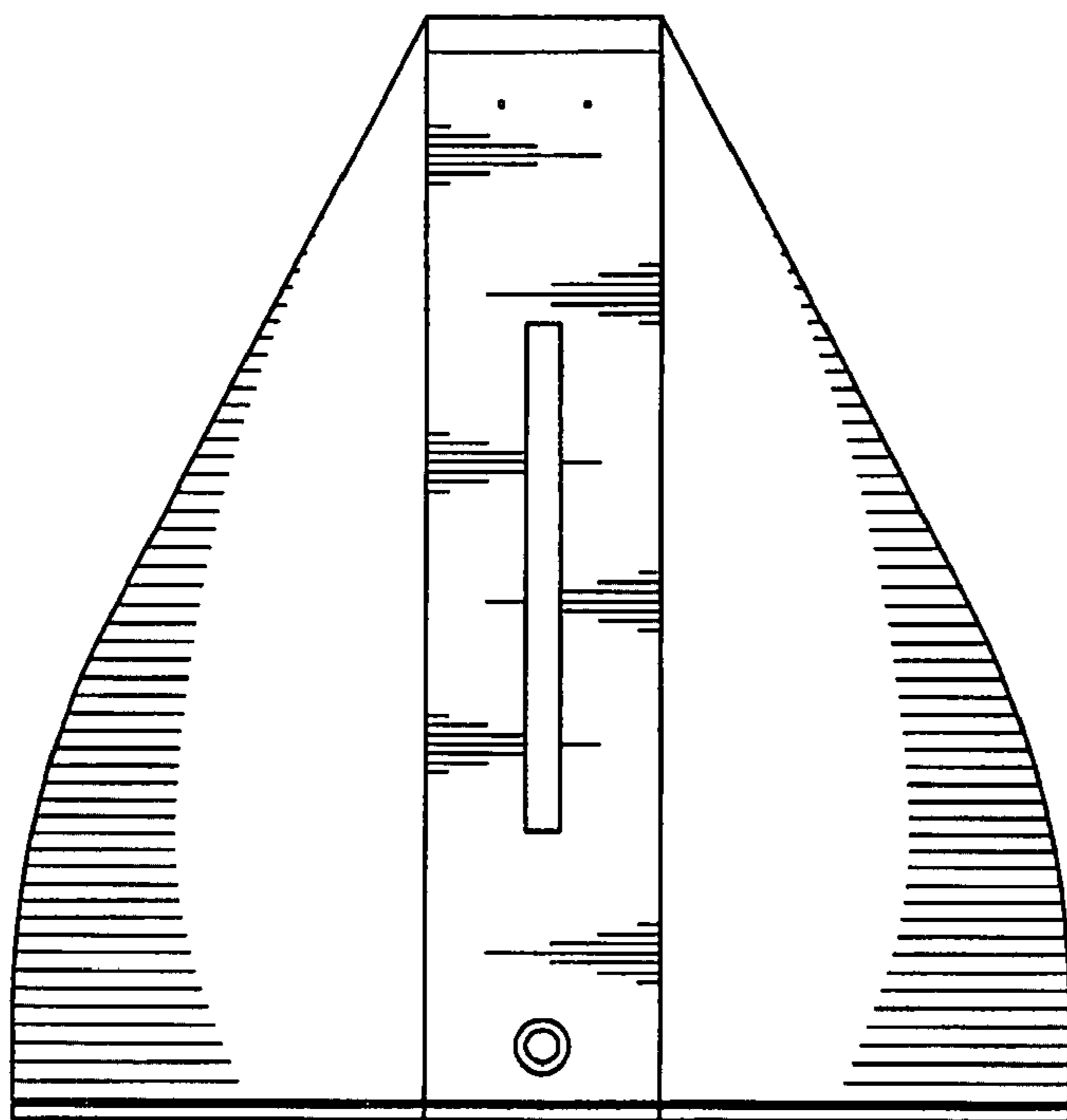


FIG. 3

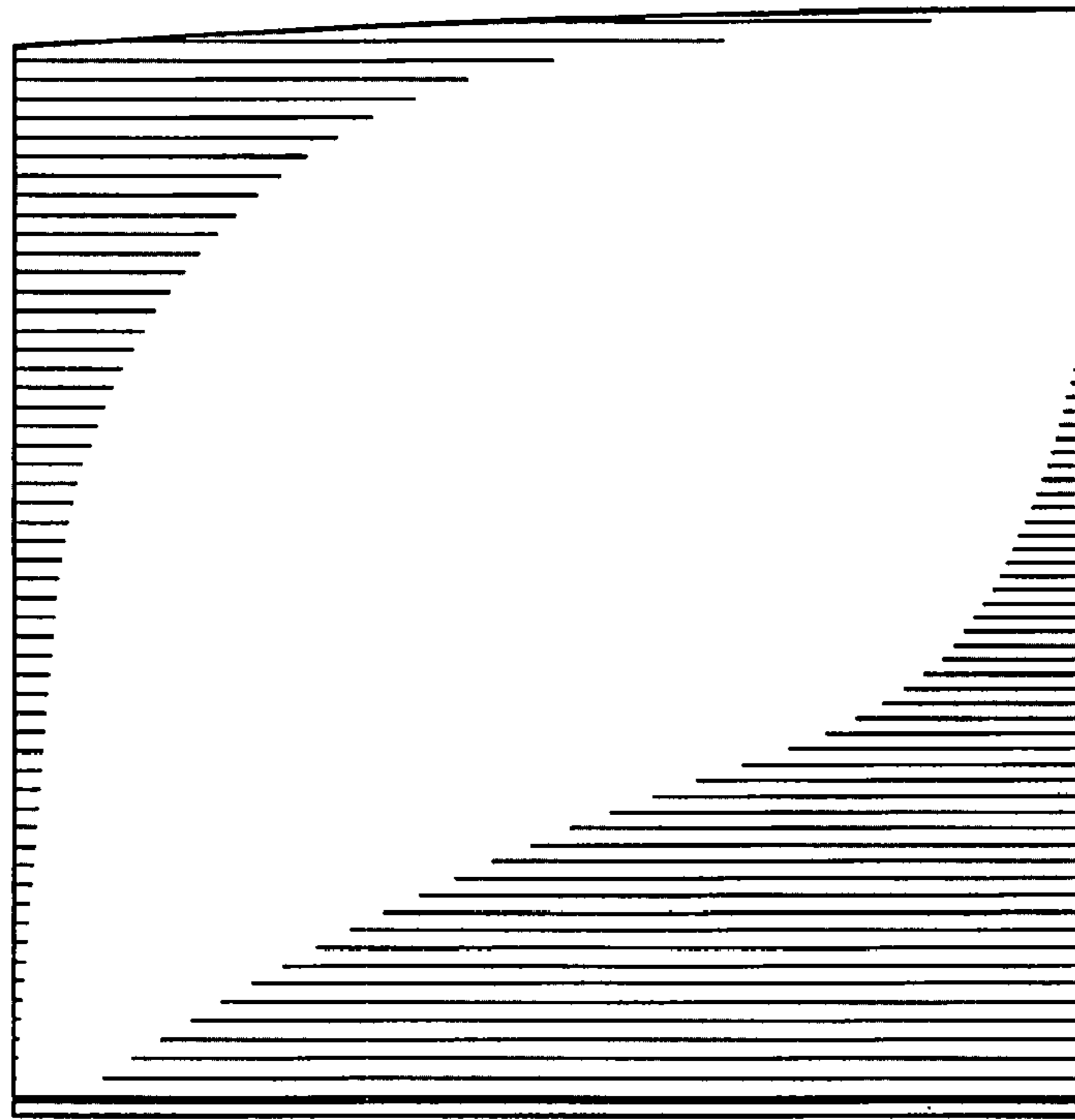


FIG. 4

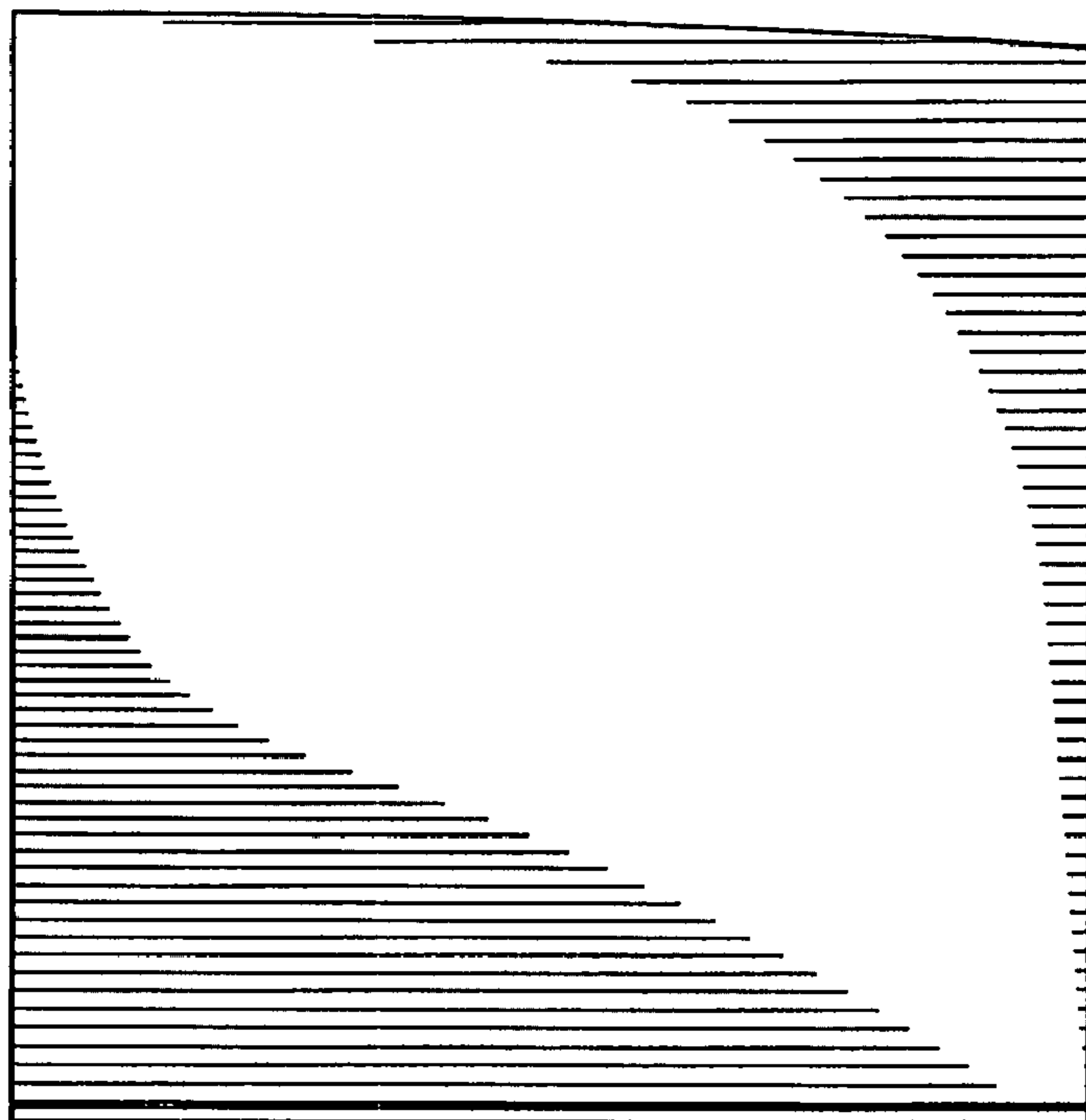


FIG. 5

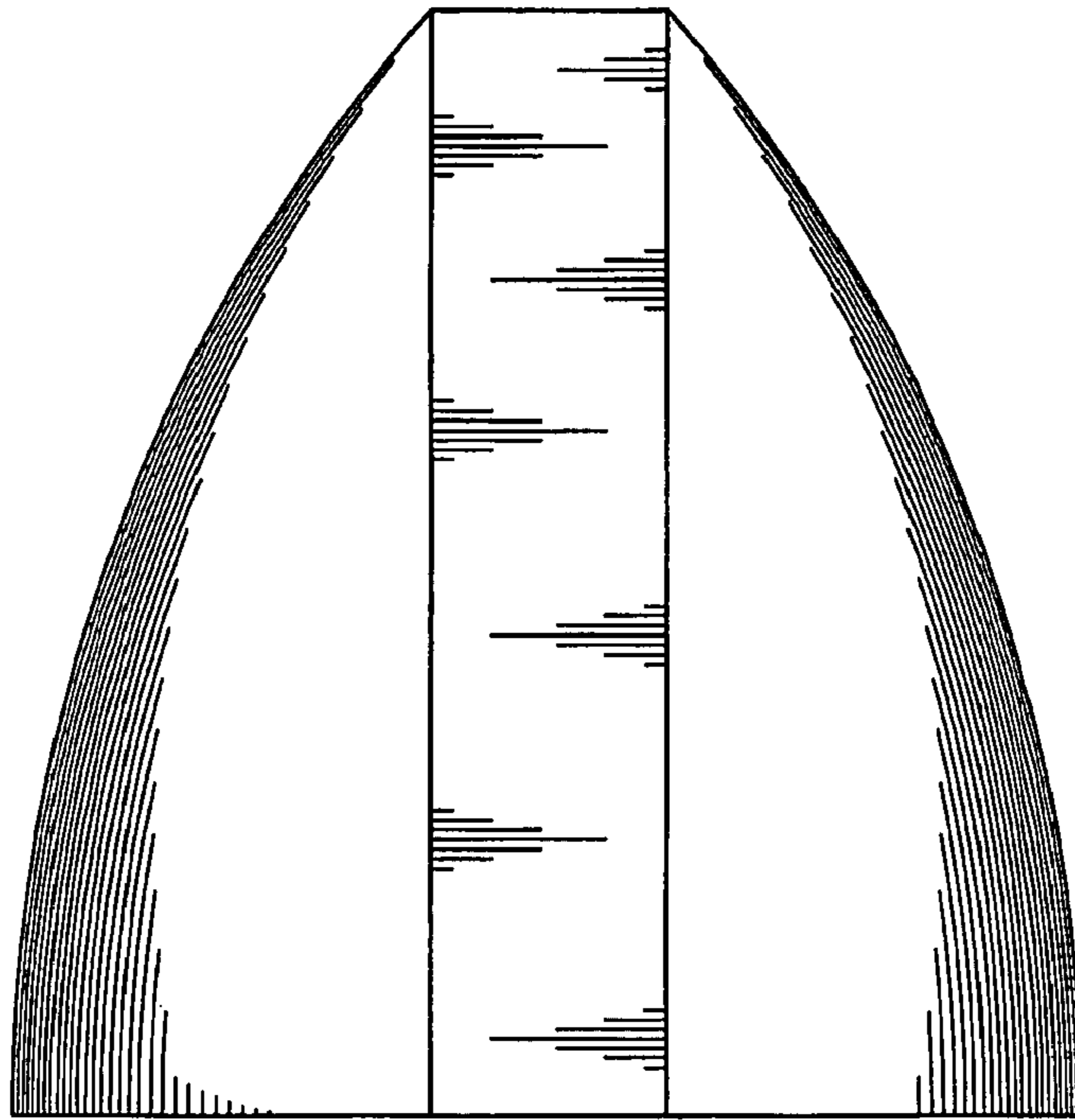


FIG. 6

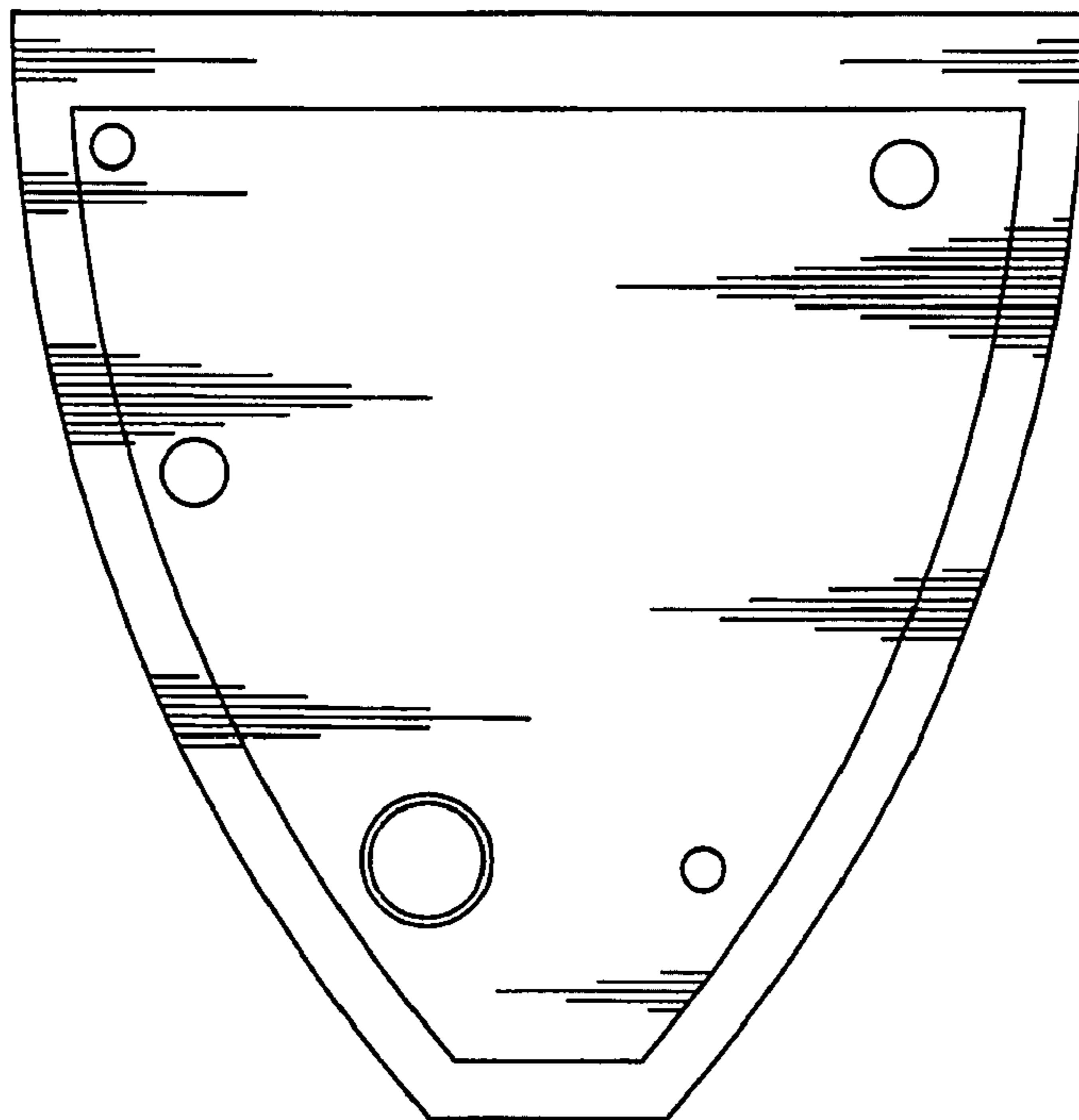


FIG. 7

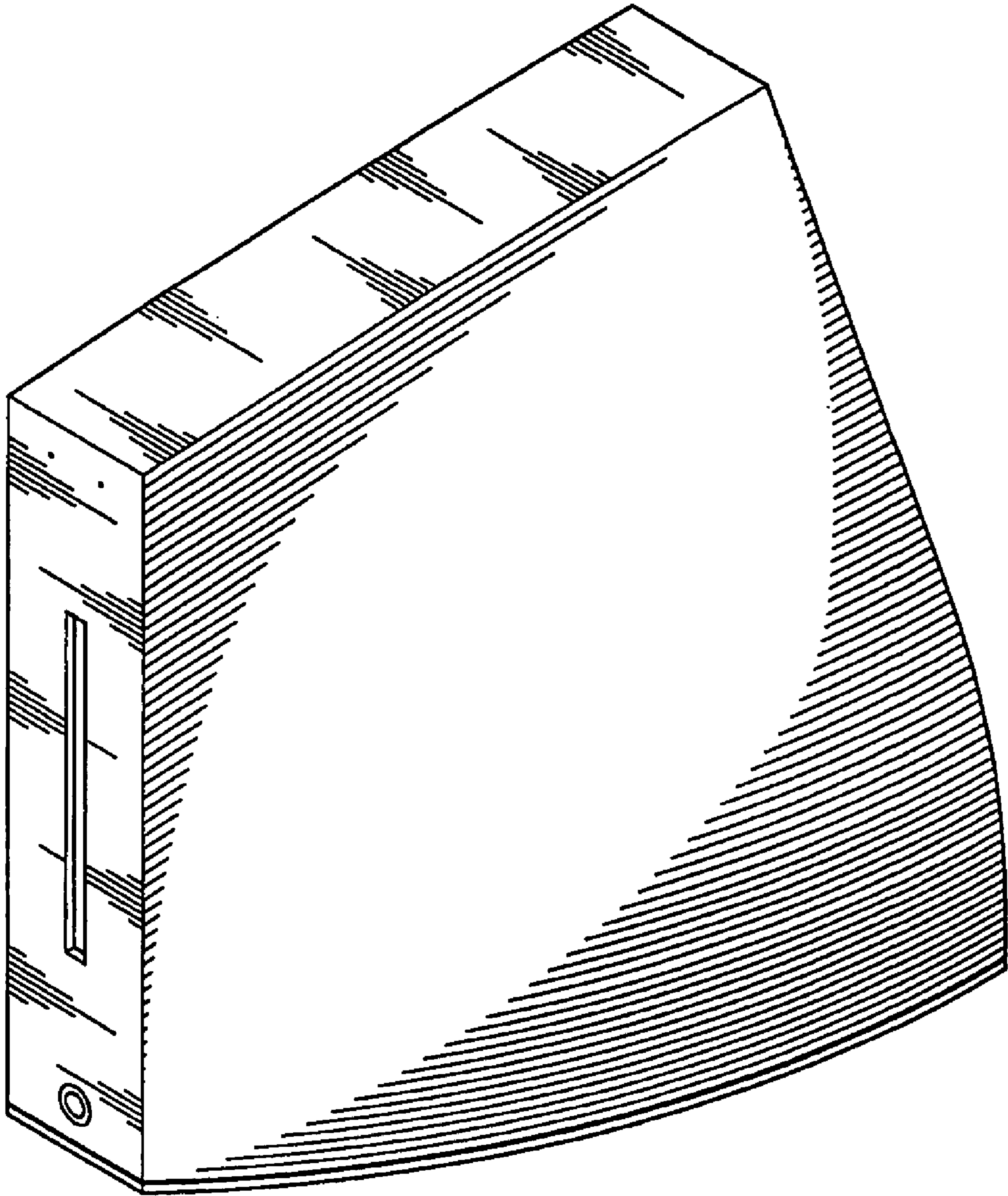


FIG. 8