

US00D567425S

(12) **United States Design Patent**  
**Yates**

(10) **Patent No.:** **US D567,425 S**  
(45) **Date of Patent:** **\*\* Apr. 22, 2008**

(54) **LUMINAIRE**

(76) Inventor: **James P. Yates**, 6020 Chickory Knoll,  
Charleston, IL (US) 61920

(\*\*) Term: **14 Years**

(21) Appl. No.: **29/289,827**

(22) Filed: **Aug. 3, 2007**

(51) **LOC (8) Cl.** ..... **26-03**

(52) **U.S. Cl.** ..... **D26/76**

(58) **Field of Classification Search** ..... D26/72,  
D26/75-78, 118; 362/217-225

See application file for complete search history.

(56) **References Cited**

U.S. PATENT DOCUMENTS

D126,846 S *	4/1941	Alm	.....	D26/76
D149,026 S *	3/1948	Schwartz et al.	.....	D26/76
D318,929 S *	8/1991	Herst et al.	.....	D26/76
D362,315 S *	9/1995	Herst et al.	.....	D26/76
D396,323 S *	7/1998	Miranda	.....	D26/142
D404,161 S *	1/1999	Herst et al.	.....	D26/76
D405,907 S *	2/1999	Herst et al.	.....	D26/76
D405,908 S *	2/1999	Herst et al.	.....	D26/76
D437,959 S *	2/2001	Lewis	.....	D26/76

D493,565 S *	7/2004	Smith et al.	.....	D26/118
D498,018 S *	11/2004	Sieczkowski	.....	D26/118
D505,224 S *	5/2005	Smith et al.	.....	D26/142
D545,477 S *	6/2007	DeBruyne et al.	.....	D26/76

\* cited by examiner

*Primary Examiner*—Robert M. Spear

*Assistant Examiner*—Susan E Krakower

(74) *Attorney, Agent, or Firm*—Kenneth E. Darnell

(57) **CLAIM**

The ornamental design for a luminaire, as shown and described.

**DESCRIPTION**

FIG. 1 is a top plan view of my new design;

FIG. 2 is a bottom plan view thereof;

FIG. 3 is a side elevational view thereof;

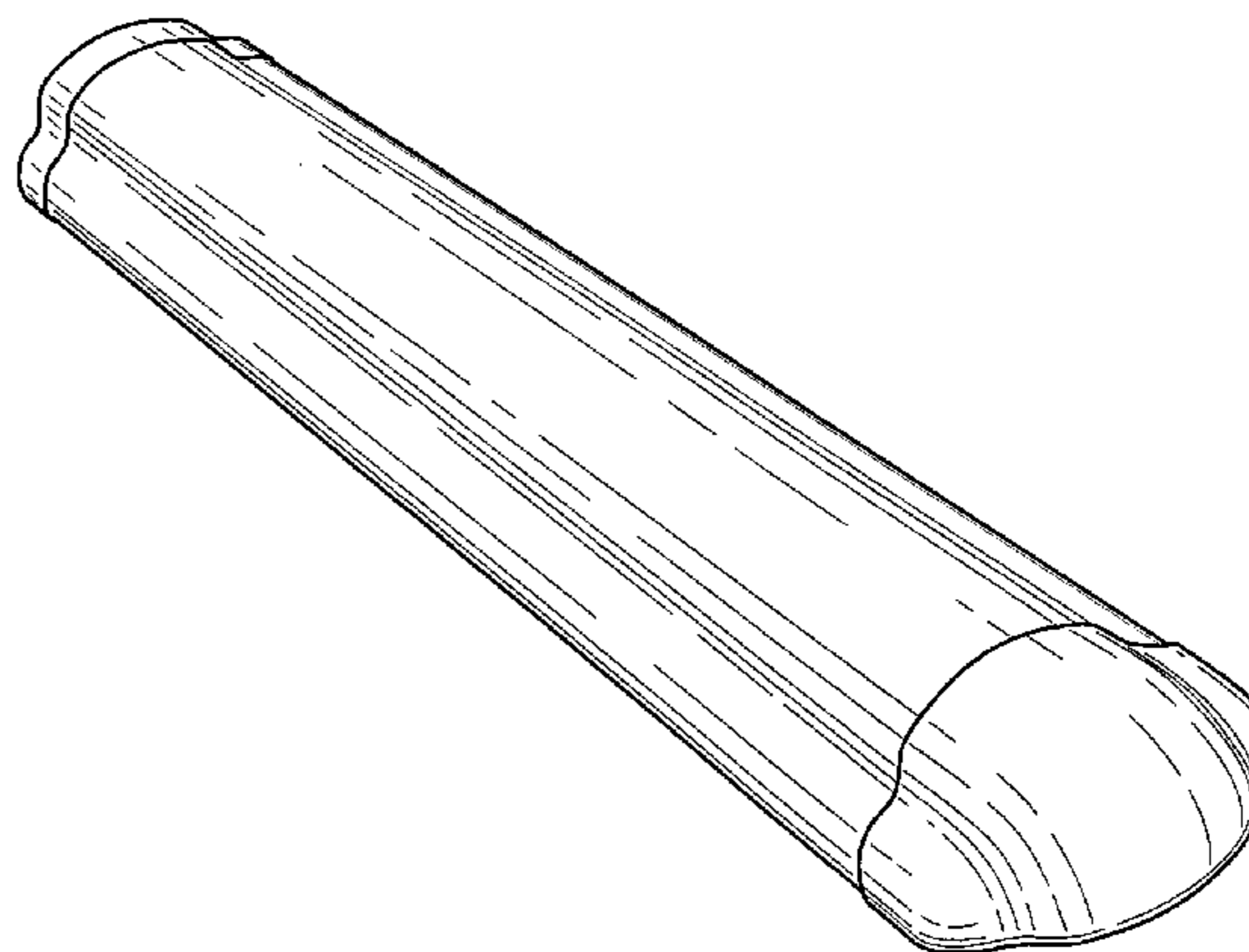
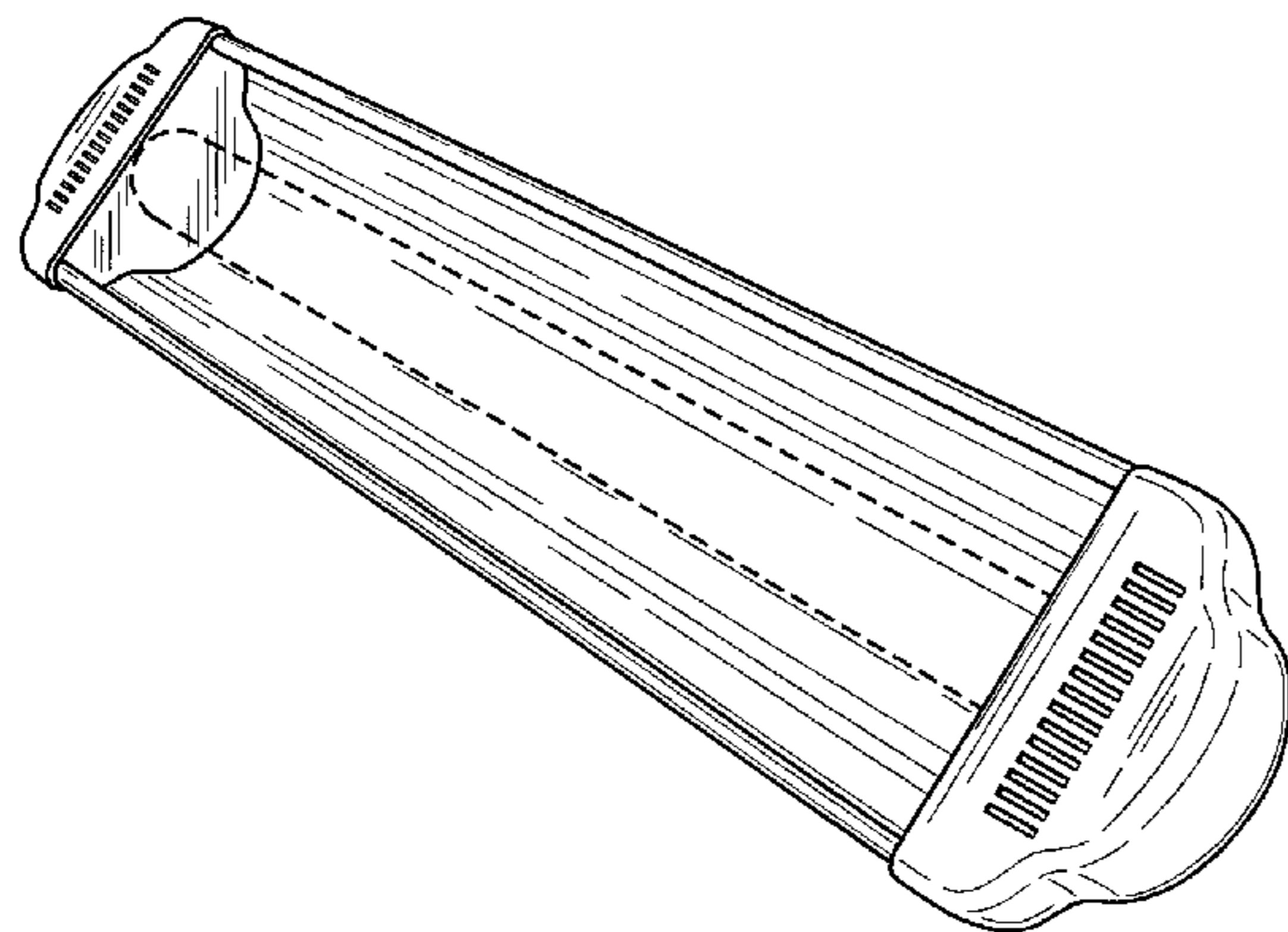
FIG. 4 is an enlarged end elevational view thereof;

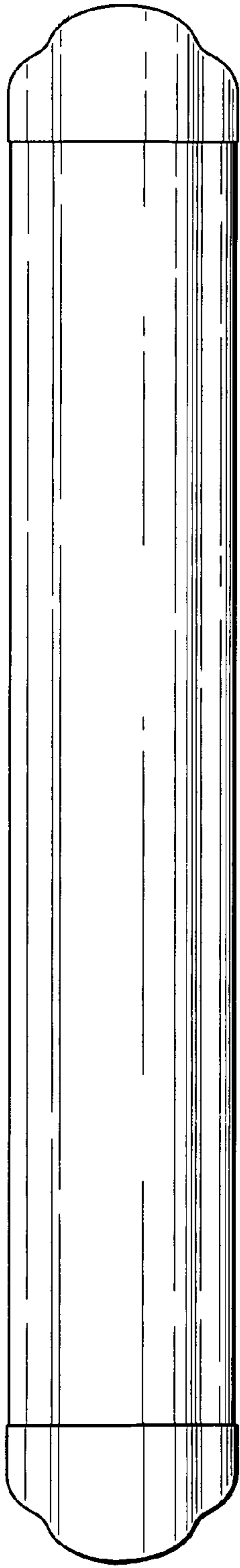
FIG. 5 is a bottom perspective view thereof; and,

FIG. 6 is a top perspective view thereof.

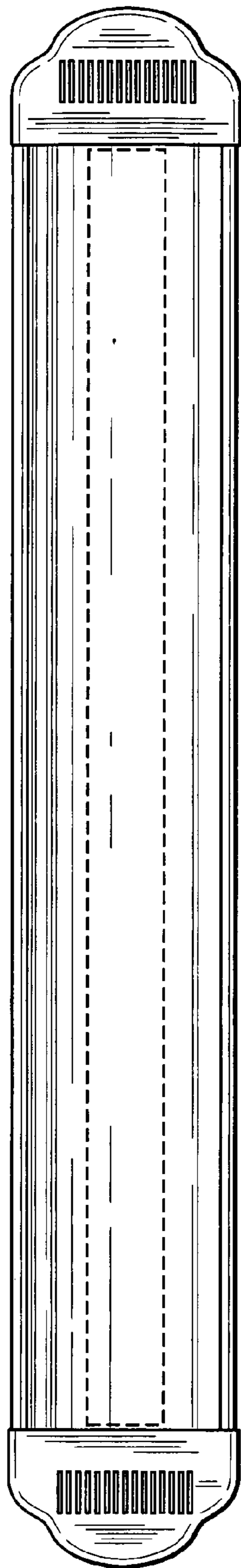
The broken lines in the FIGS. 2 & 5 depict unclaimed environmental subject matter.

**1 Claim, 2 Drawing Sheets**

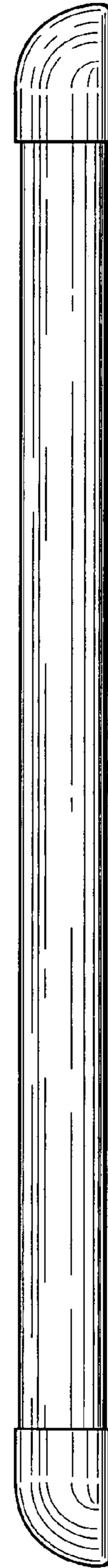




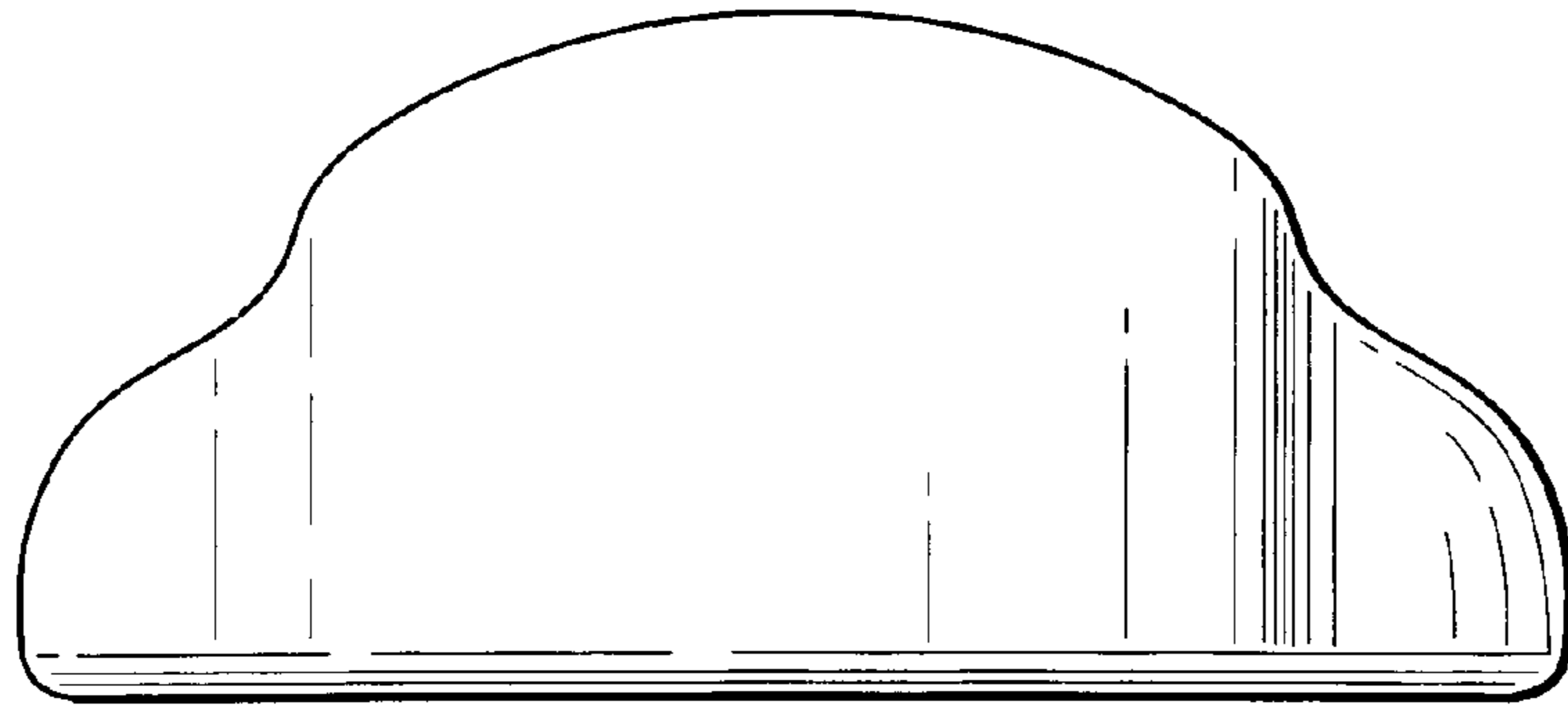
**Fig. 1**



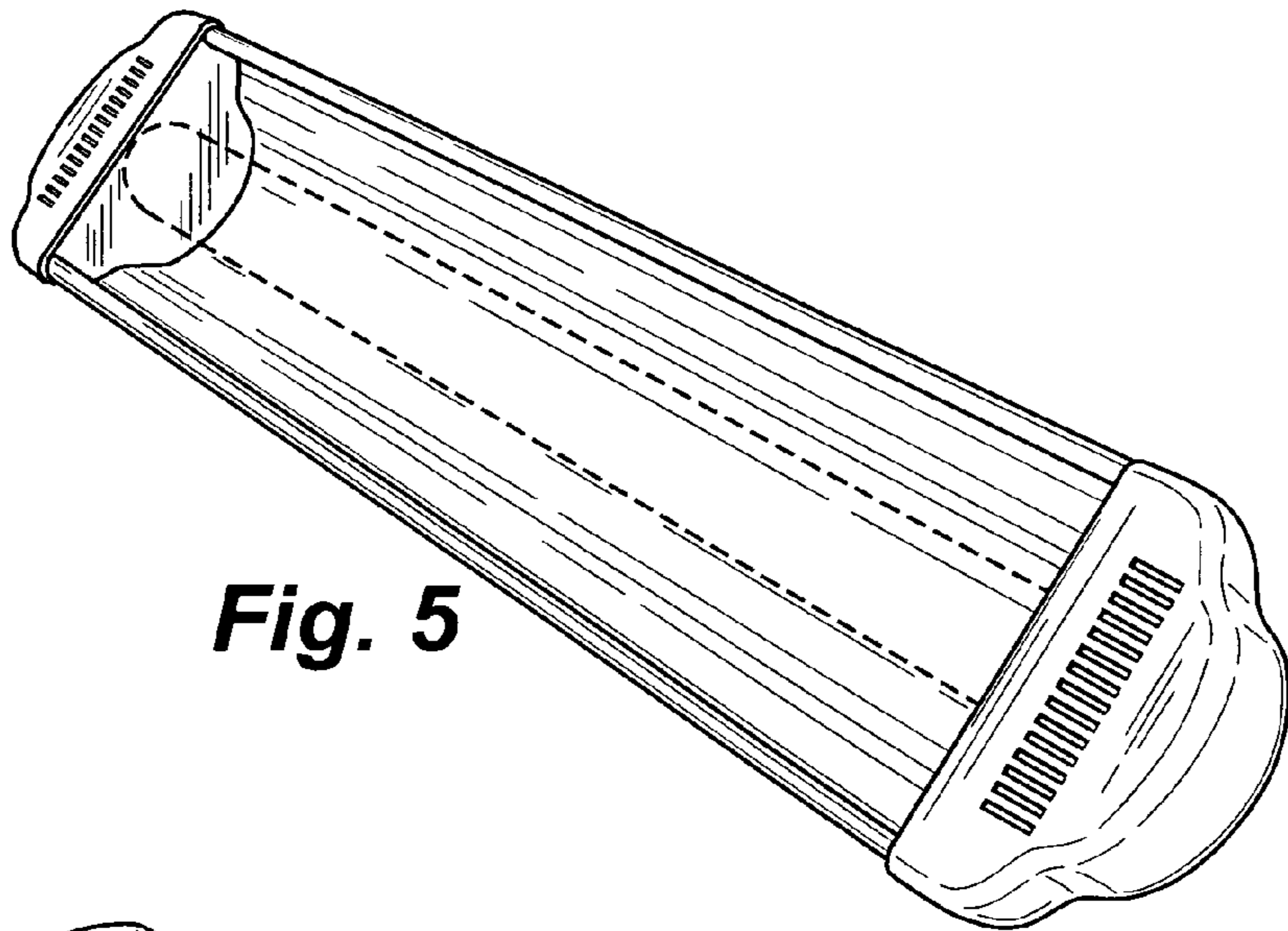
**Fig. 2**



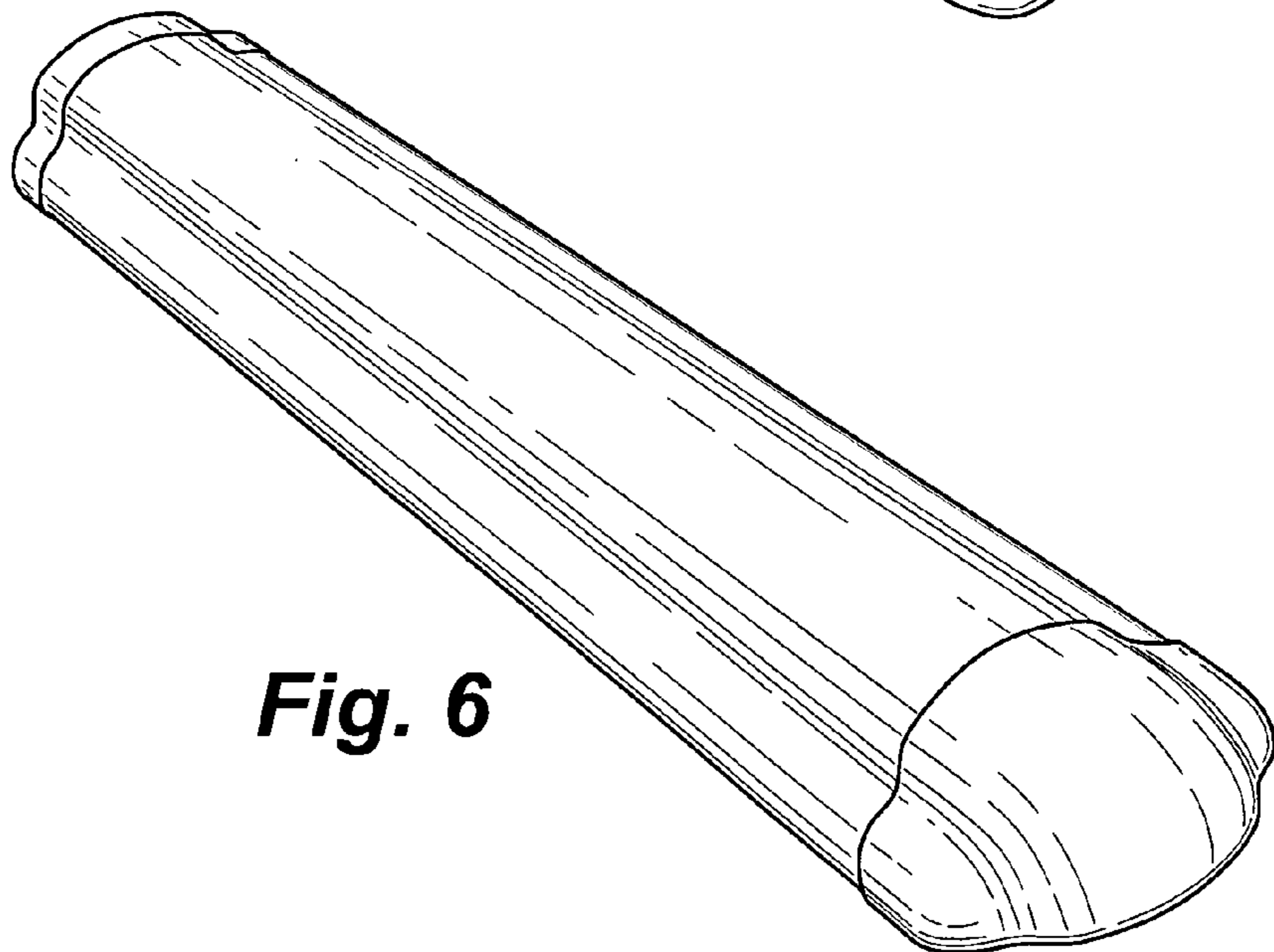
**Fig. 3**



**Fig. 4**



**Fig. 5**



**Fig. 6**