

US00D567424S

(12) **United States Design Patent**
St-Pierre et al.

(10) **Patent No.:** **US D567,424 S**

(45) **Date of Patent:** **** Apr. 22, 2008**

(54) **SOLAR LIGHT FOR SWIMMING POOL STAIRS**

2007/0147024 A1* 6/2007 Wu 362/102
2007/0211450 A1* 9/2007 You 362/102
2007/0230161 A1* 10/2007 Longoria et al. 362/101

(75) Inventors: **Jacques St-Pierre**, Bromptonville (CA); **Jérôme Foy**, Orford (CA)

* cited by examiner

Primary Examiner—Clare E Heflin

(73) Assignee: **Les Produits Innovaplas Inc.**, Bromptonville, Quebec (CA)

(57) **CLAIM**

(**) Term: **14 Years**

We claim the ornamental design for a solar light for swimming pool stairs, as shown and described.

(21) Appl. No.: **29/250,726**

DESCRIPTION

(22) Filed: **Nov. 29, 2006**

(51) **LOC (8) Cl.** **26-05**

FIG. 1 is a front perspective view of a solar light for swimming pool stairs according to the present design, with the rails of the stairs shown in broken lines;

(52) **U.S. Cl.** **D26/67**

FIG. 2 is a side elevational view of the solar light for swimming pool stairs of FIG. 1, with the rails of the stairs shown in broken lines;

(58) **Field of Classification Search** D26/60, D26/67-72, 85; 362/102, 240, 157-159, 362/183, 101, 431, 367

See application file for complete search history.

FIG. 3 is top plan view of the solar light for swimming pool stairs of FIG. 1, with the rails of the stairs shown in broken lines; and,

(56) **References Cited**

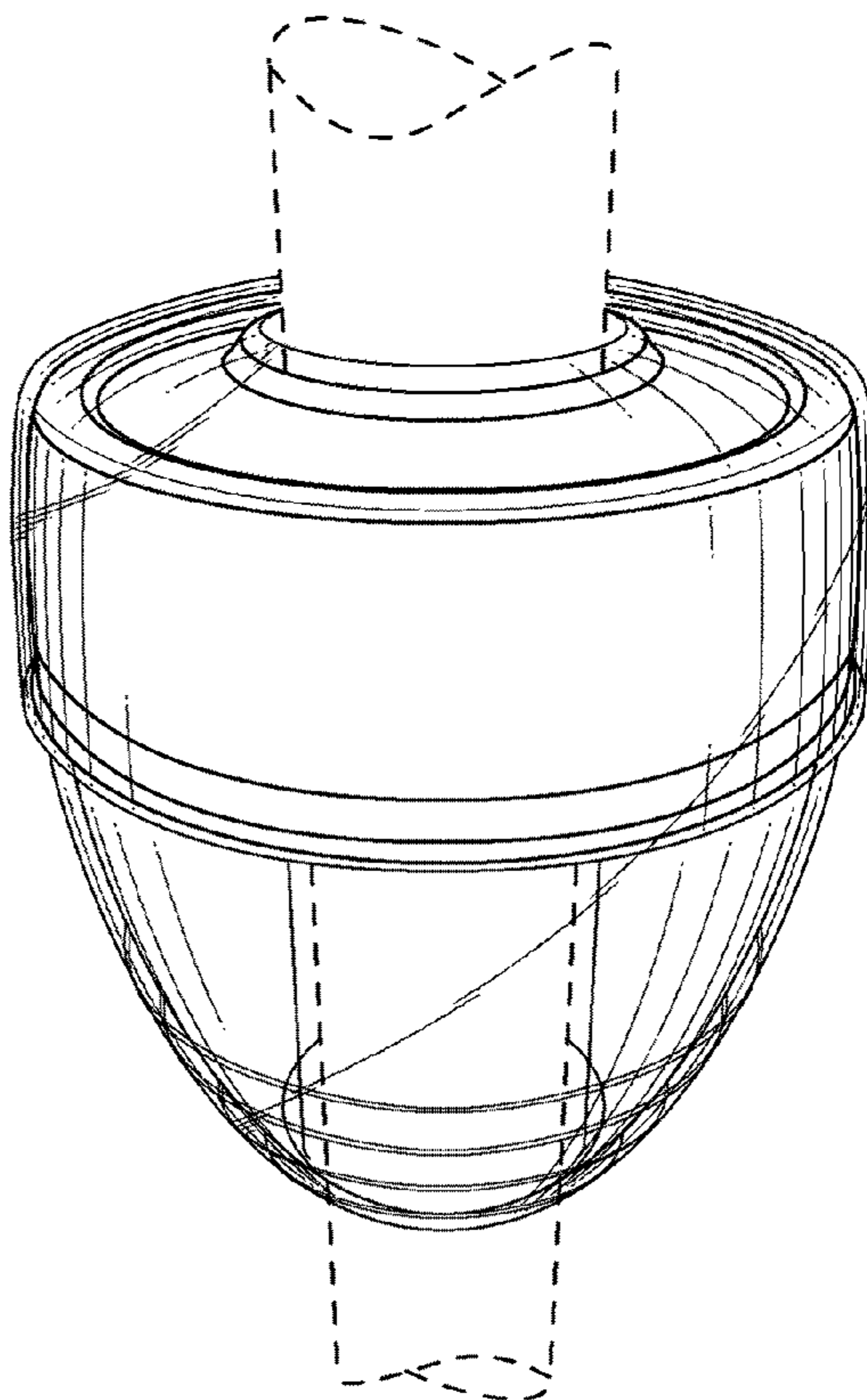
U.S. PATENT DOCUMENTS

D197,381 S *	1/1964	Müller	D26/67
4,020,858 A *	5/1977	Wilson	362/102
4,425,602 A *	1/1984	Lansing	362/186
4,587,599 A *	5/1986	St-Hilaire	362/101
4,937,701 A *	6/1990	Schroder	362/161
2005/0180127 A1 *	8/2005	St-Hilaire	362/101

FIG. 4 is bottom plan view of the solar light for swimming pool stairs of FIG. 1, with the rails of the stairs shown in broken lines.

The broken lines shown on the drawings are for illustrative purposes only and form no part of the claimed design.

1 Claim, 3 Drawing Sheets



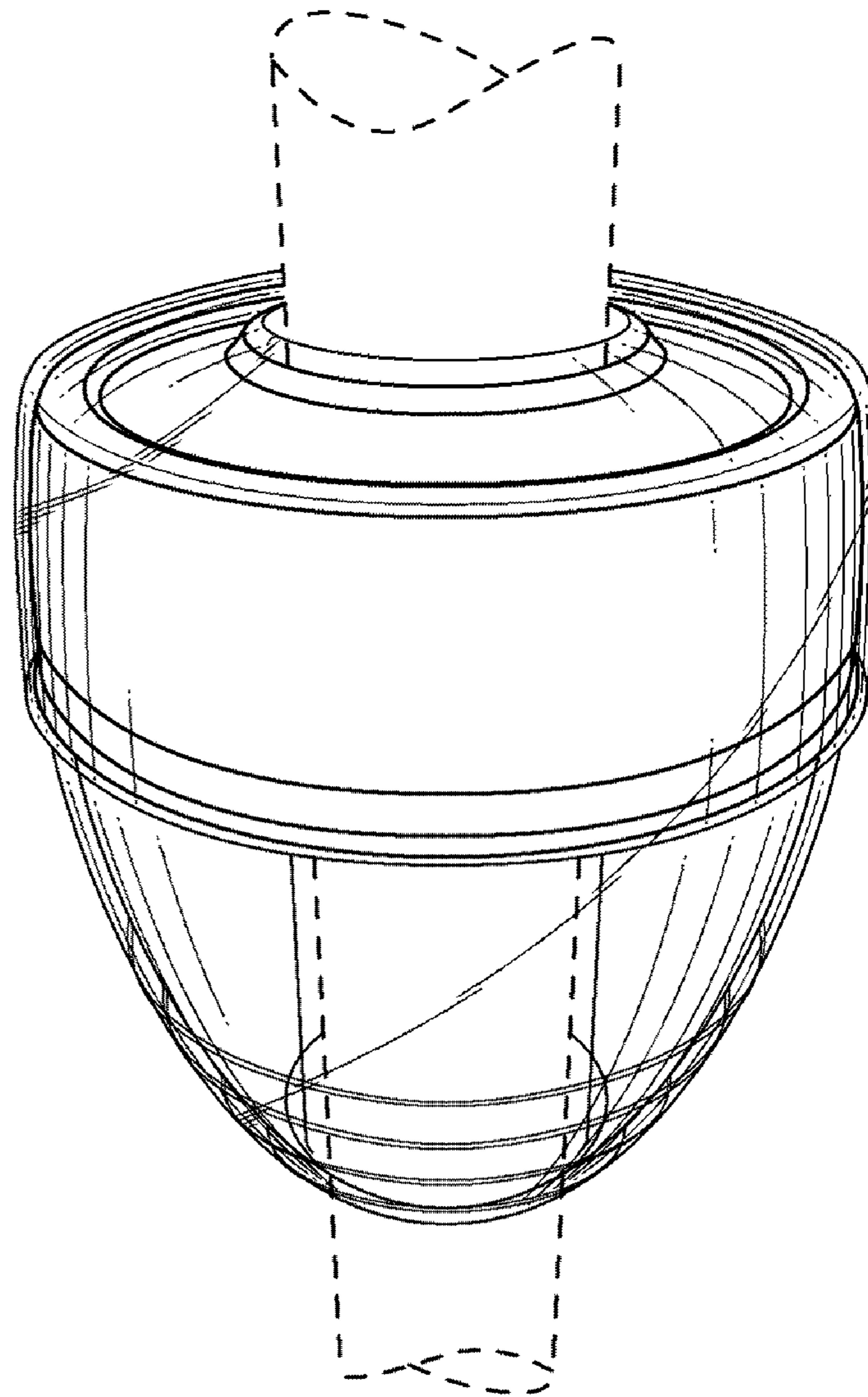


FIG. 1

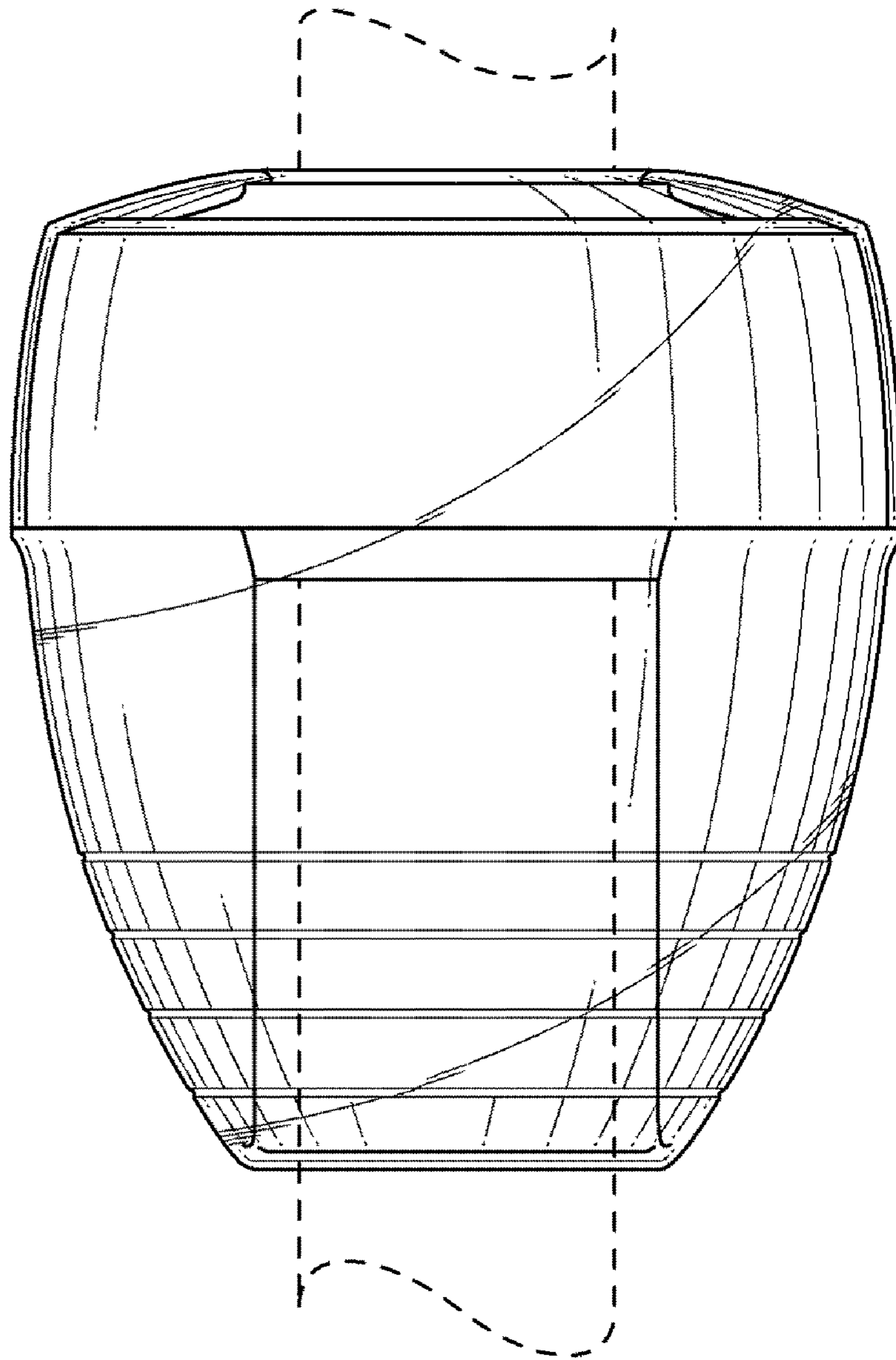


FIG. 2

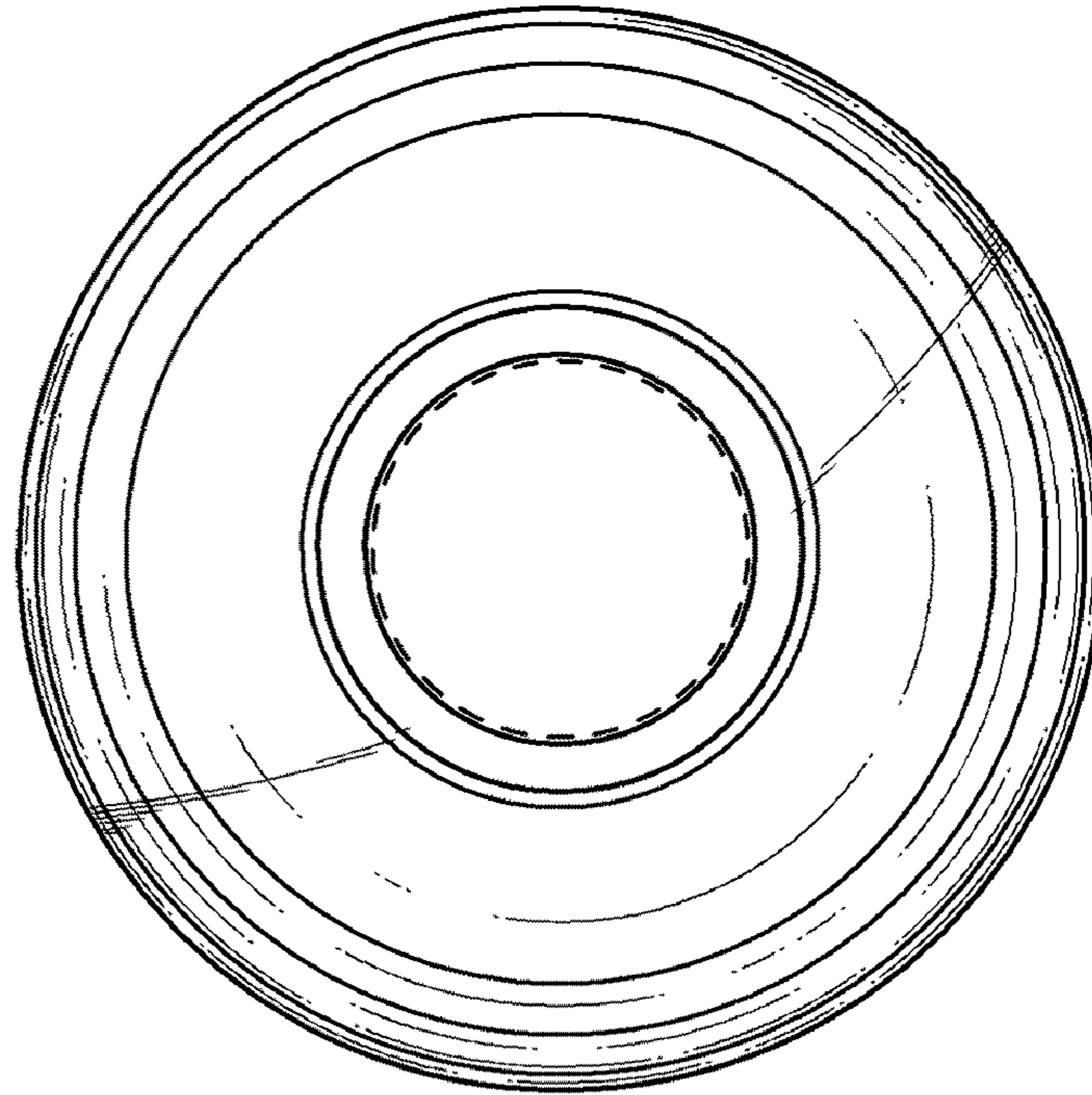


FIG. 3

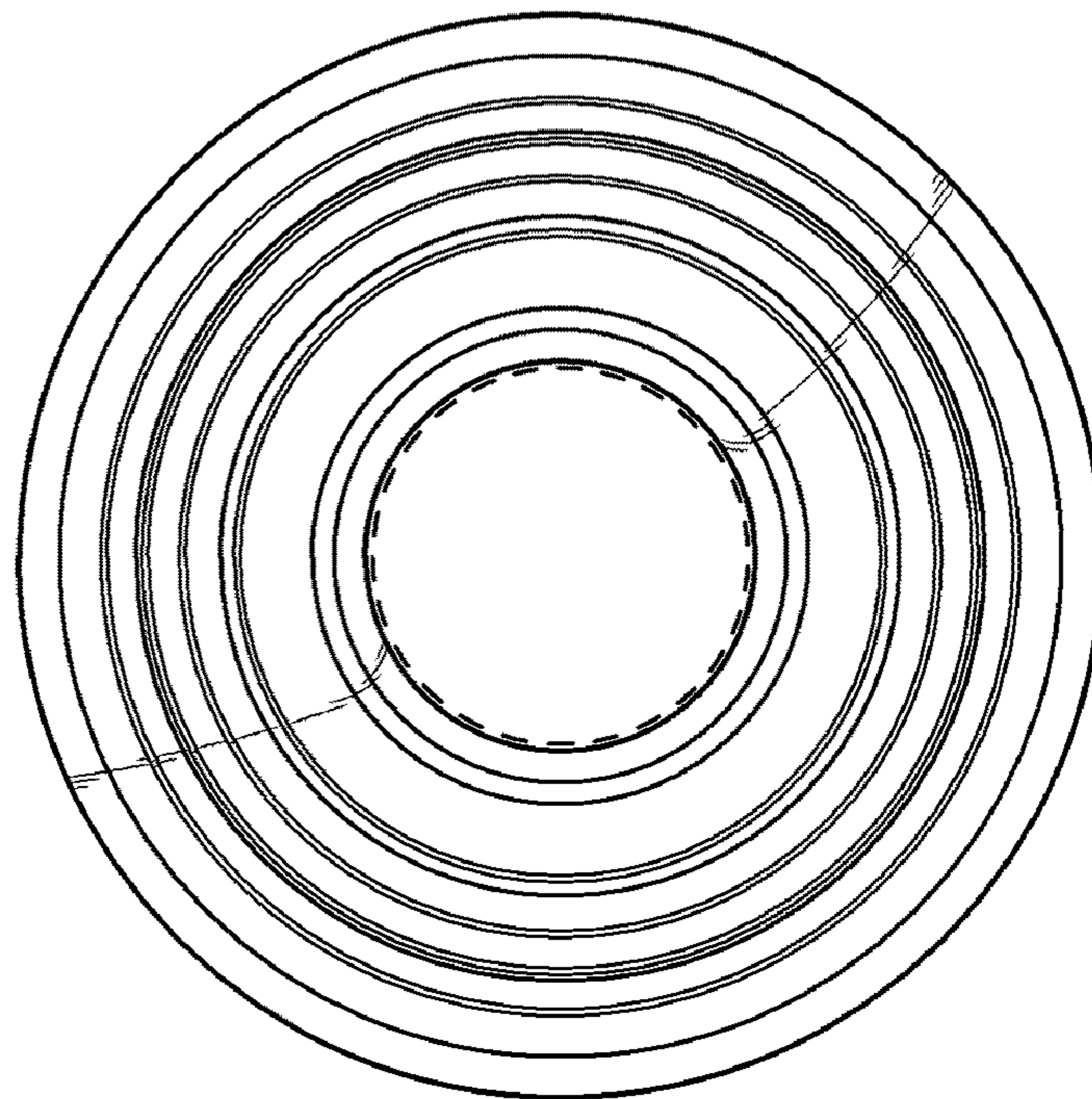


FIG. 4