

US00D567423S

(12) **United States Design Patent**
Shen

(10) **Patent No.:** **US D567,423 S**

(45) **Date of Patent:** **** Apr. 22, 2008**

(54) **FOLDING LAMP**

(76) Inventor: **Kar Chun Shen**, 7E Savoy Court, 101
Robinson Road, Honk Kong (HK)

(**) Term: **14 Years**

(21) Appl. No.: **29/283,178**

(22) Filed: **Aug. 8, 2007**

(51) **LOC (8) Cl.** **26-05**

(52) **U.S. Cl.** **D26/65**

(58) **Field of Classification Search** D26/60-66,
D26/107; D24/210; 362/99, 191, 269, 270,
362/275, 281-287, 396, 410-414, 418, 419,
362/427, 428

See application file for complete search history.

(56) **References Cited**

U.S. PATENT DOCUMENTS

D203,863 S *	2/1966	Neumann	D26/107
3,341,702 A *	9/1967	Neumann	362/269
D229,231 S *	11/1973	Beeren	D16/135
D272,003 S *	12/1983	Jankowski	D26/63
D278,461 S *	4/1985	Pepall	D24/210
5,169,226 A *	12/1992	Friedman	362/190
D351,920 S *	10/1994	Nagy et al.	D26/65
D423,130 S *	4/2000	Kung	D26/60
D486,938 S *	2/2004	Waldmann	D26/60
D507,841 S *	7/2005	Mendelsohn et al.	D26/63
D527,131 S *	8/2006	McCarthy, III	D26/63

D542,455 S * 5/2007 Newcomb D26/60

* cited by examiner

Primary Examiner—Cathron Brooks

Assistant Examiner—Barbara Fox

(74) *Attorney, Agent, or Firm*—Leydig, Voit & Mayer, Ltd.

(57) **CLAIM**

I claim the ornamental design for a folding lamp, as shown and described.

DESCRIPTION

FIG. 1 is a first perspective view of a folding lamp according to my new design, in an open position;

FIG. 2 is a second perspective of the lamp of FIG. 1 in an alternate position;

FIG. 3 is a third perspective view of the lamp of FIG. 1 in a folded position;

FIG. 4 is a top view of the lamp shown in FIG. 1;

FIG. 5 is a right side view thereof;

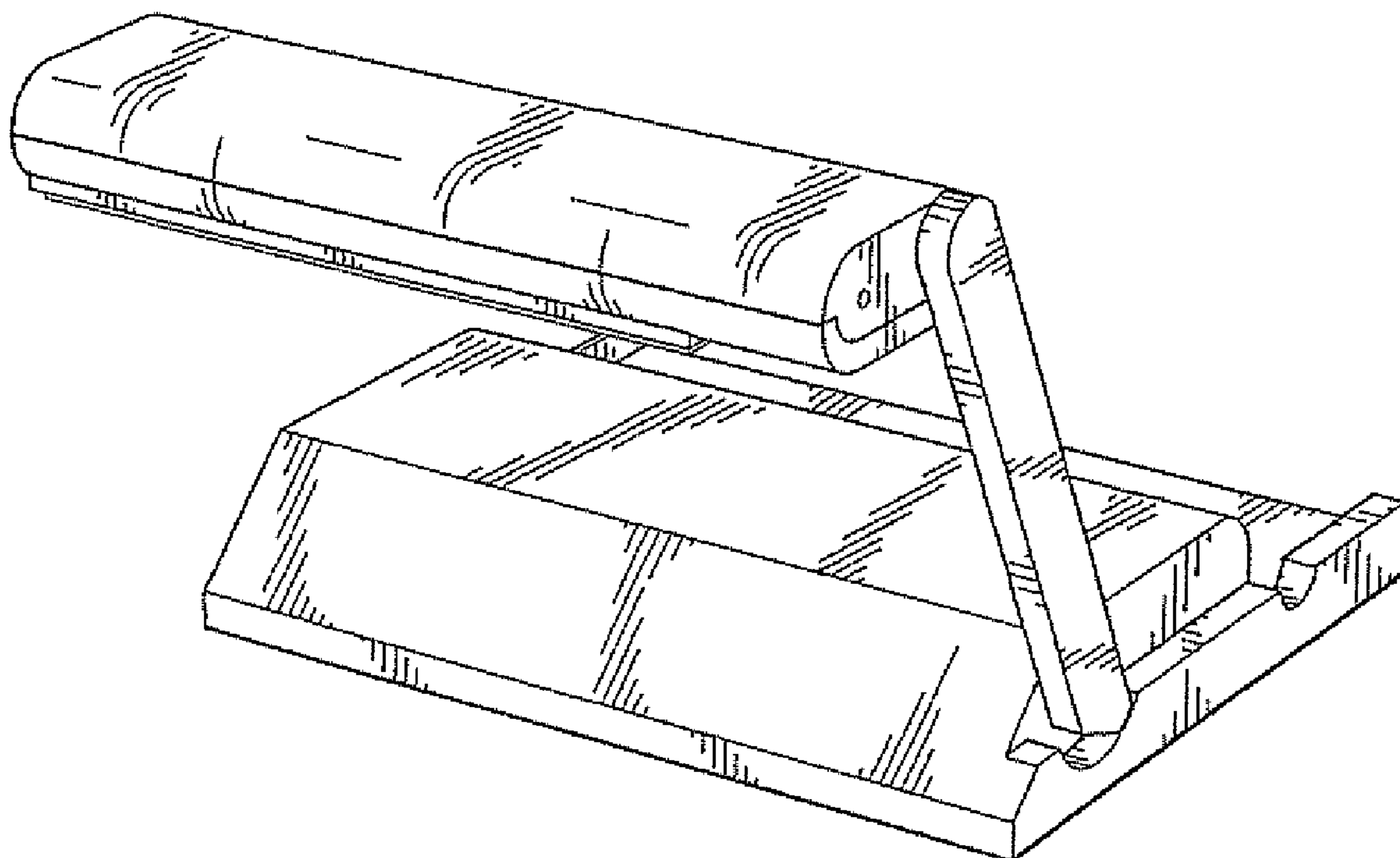
FIG. 6 is a left side view thereof;

FIG. 7 is a front view thereof; and,

FIG. 8 is a rear view thereof.

The broken lines shown in the drawings are for the purpose of illustrating portions of the folding lamp and form no part of the claimed design.

1 Claim, 5 Drawing Sheets



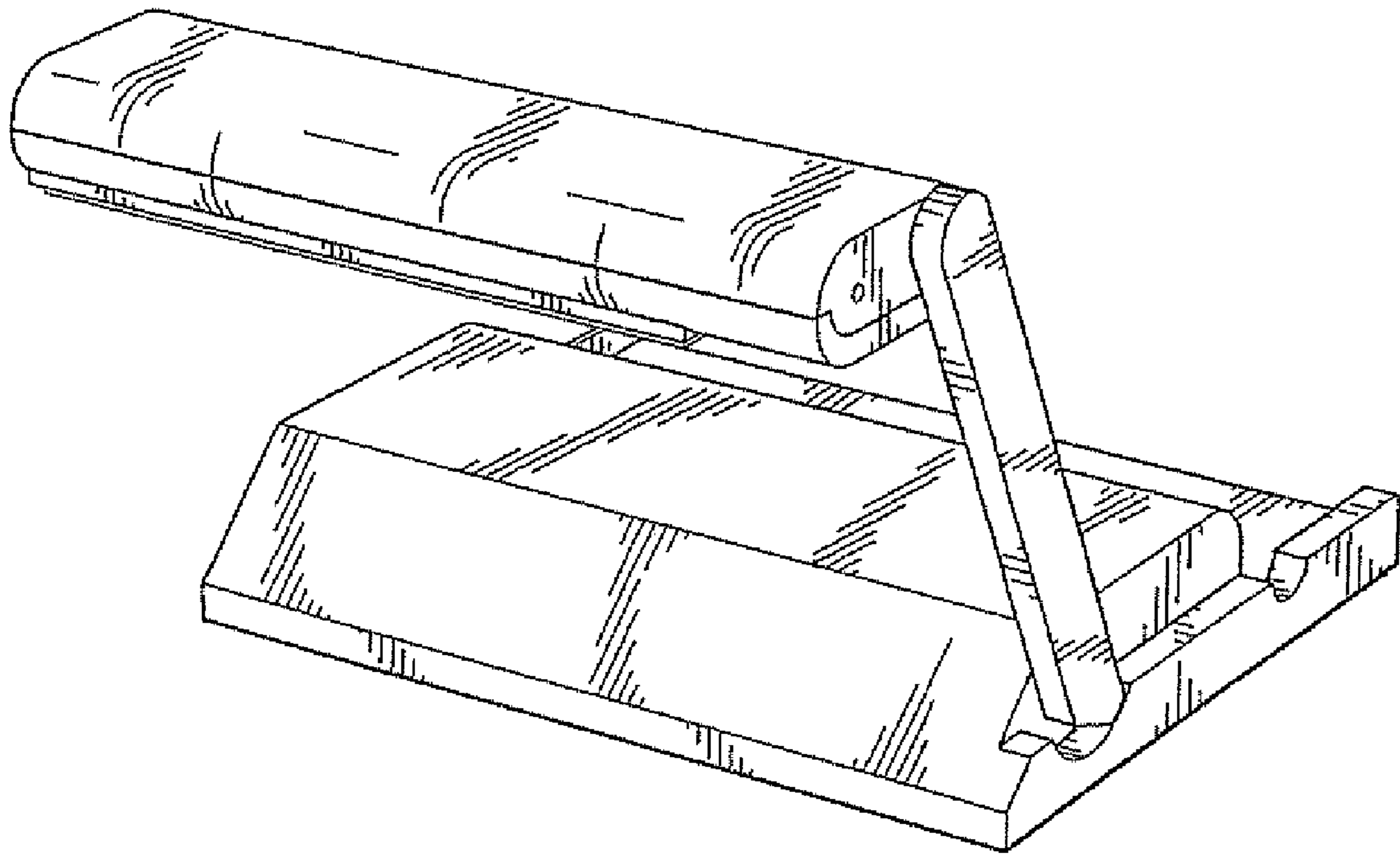


FIG. 1

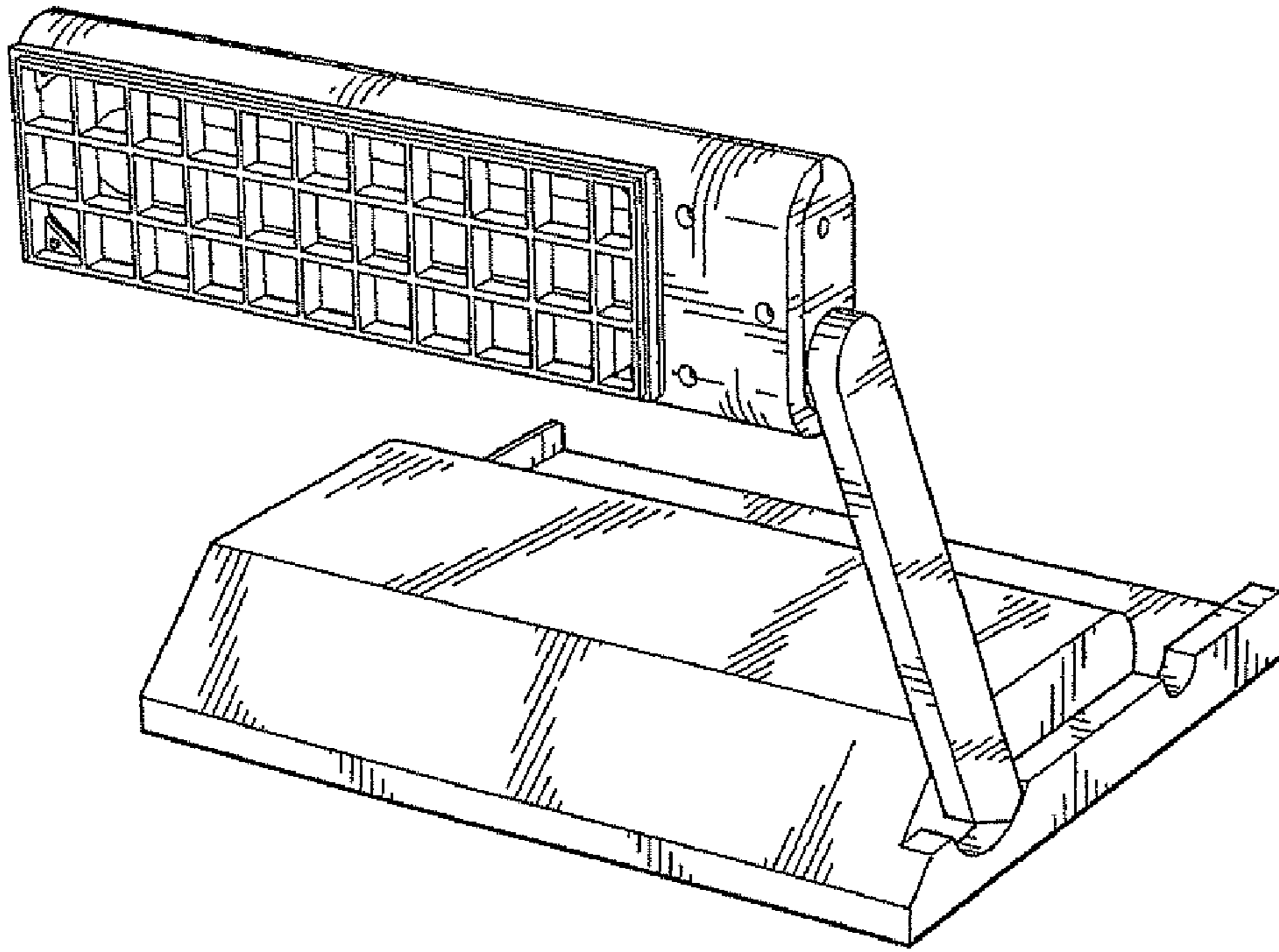


FIG. 2

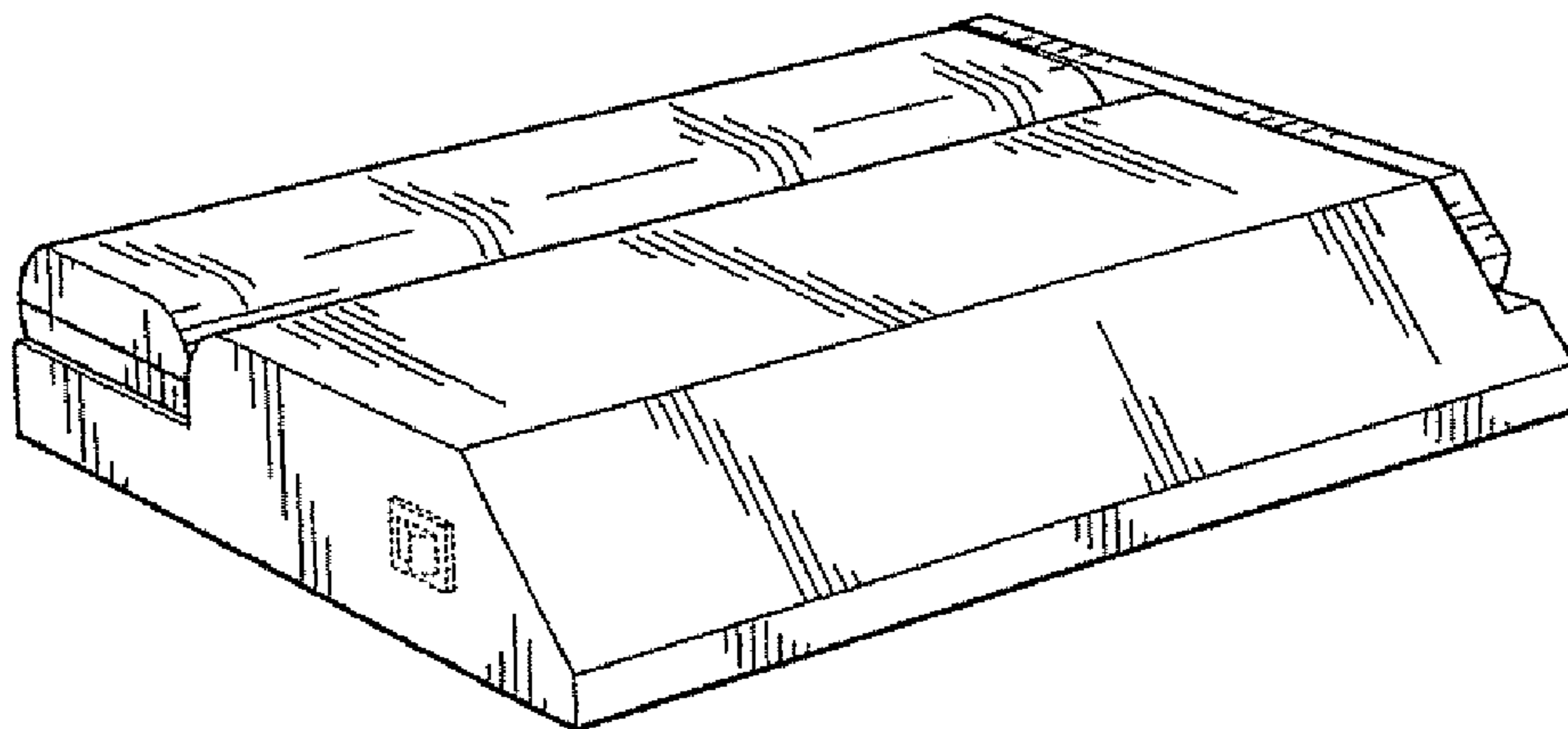


FIG. 3

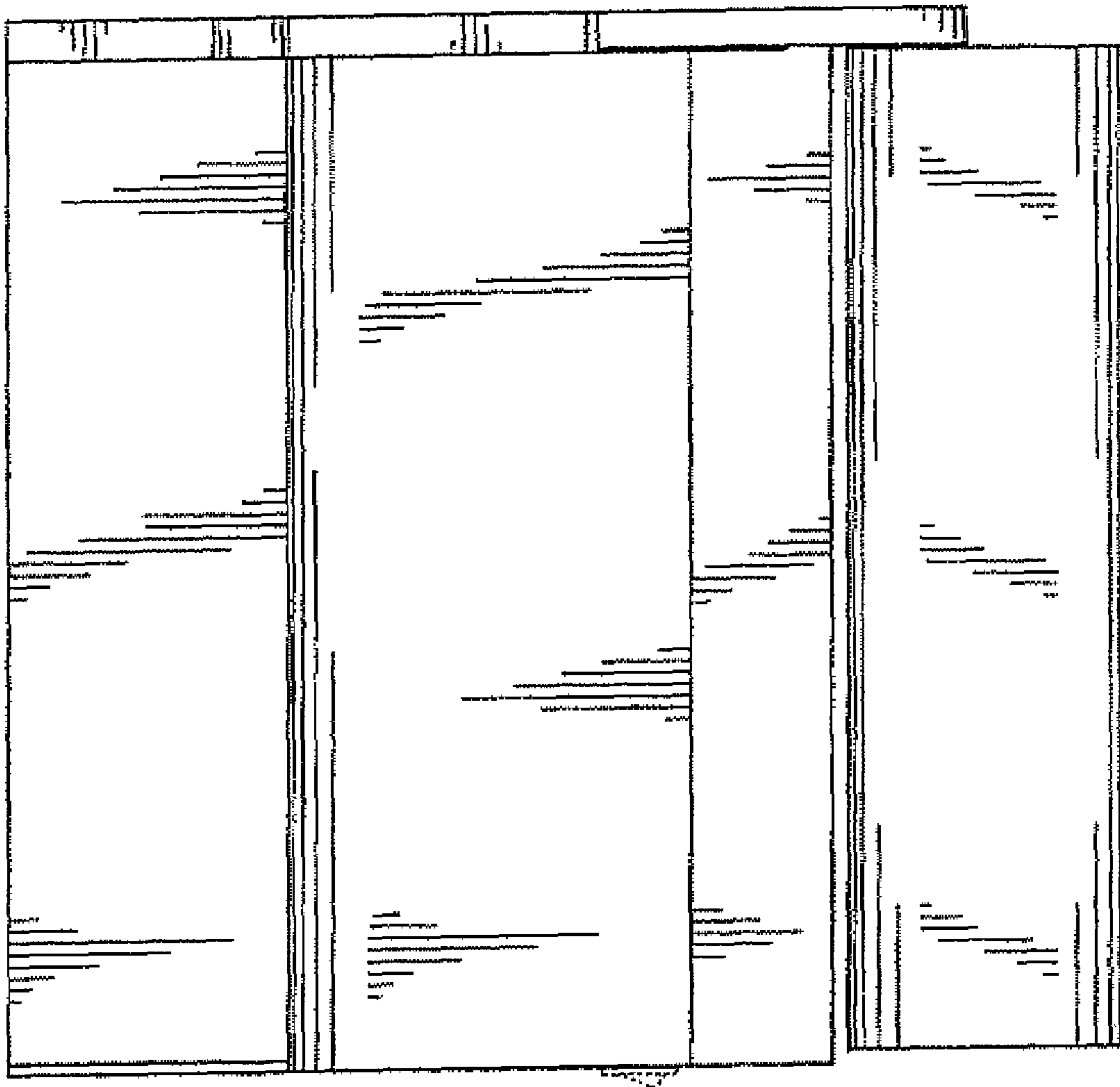


FIG. 4

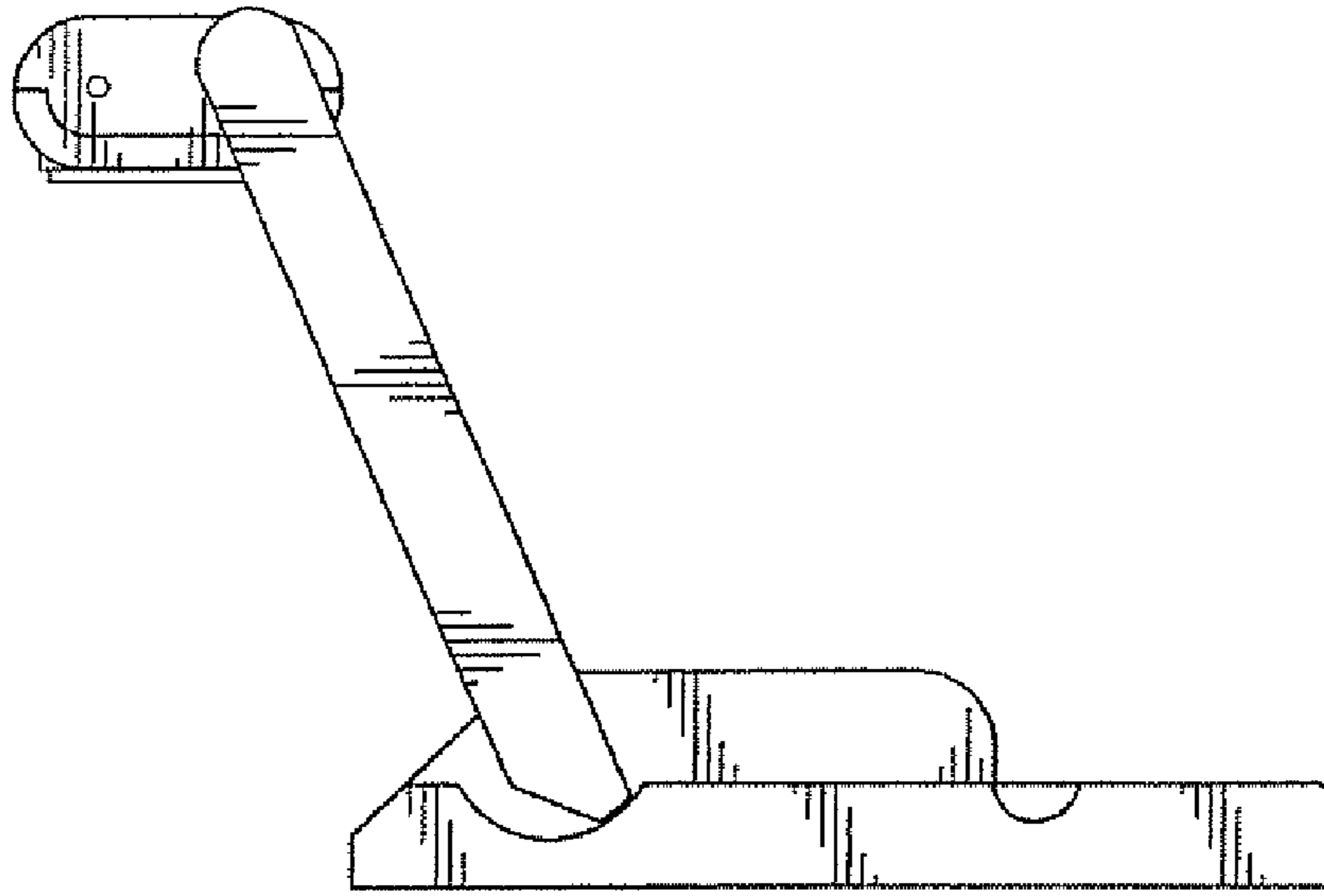


FIG. 5

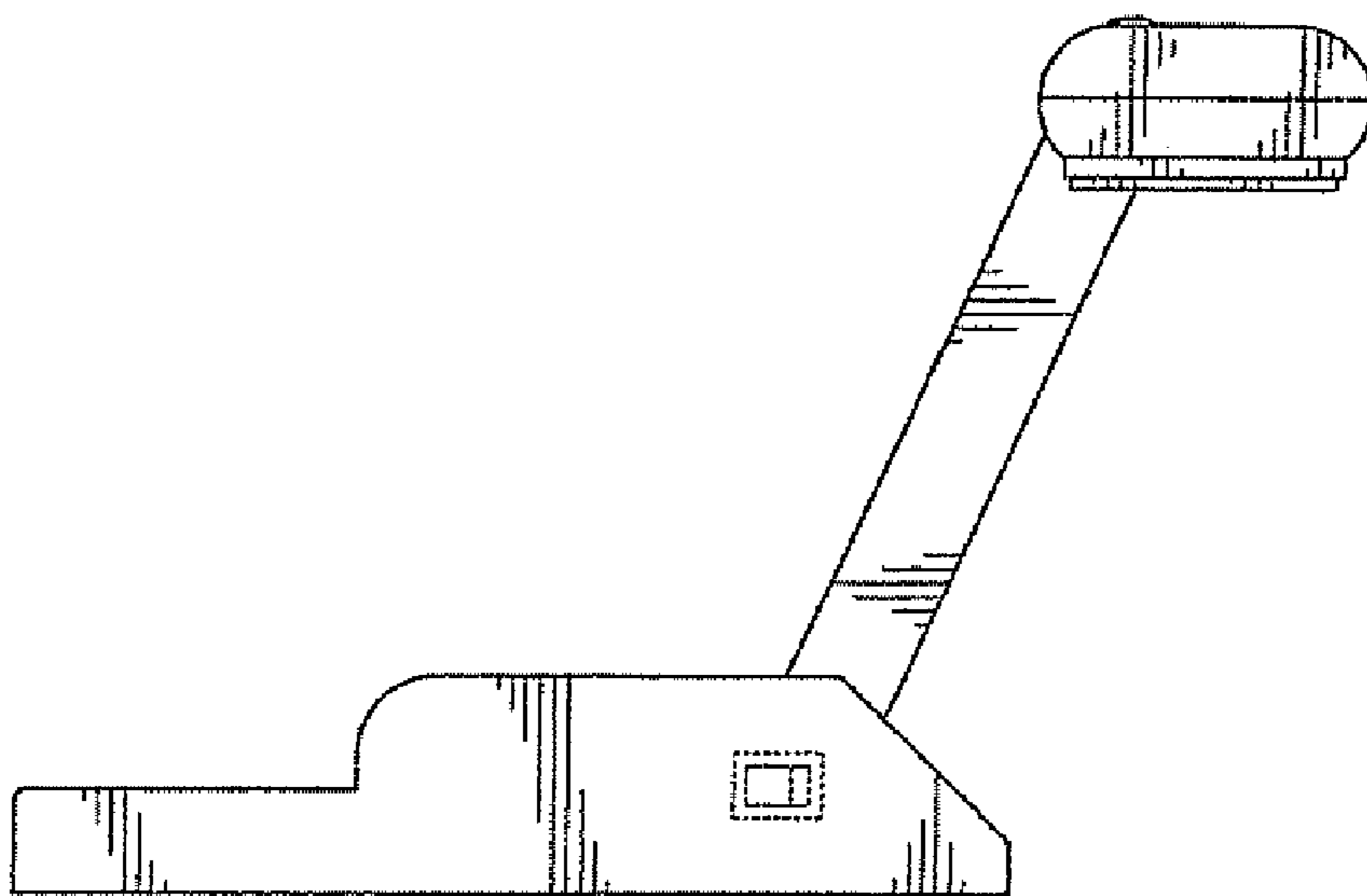


FIG. 6

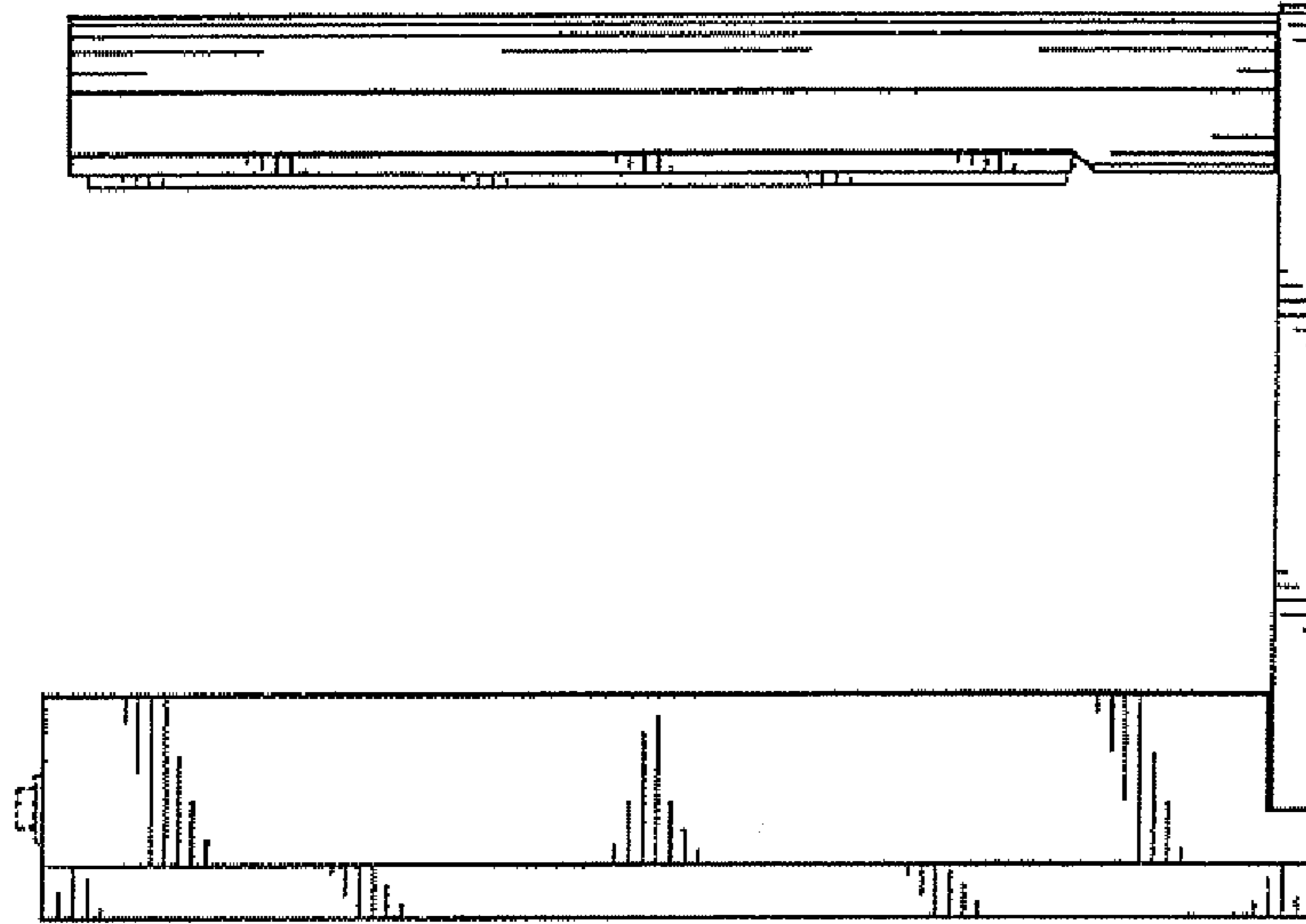


FIG. 7

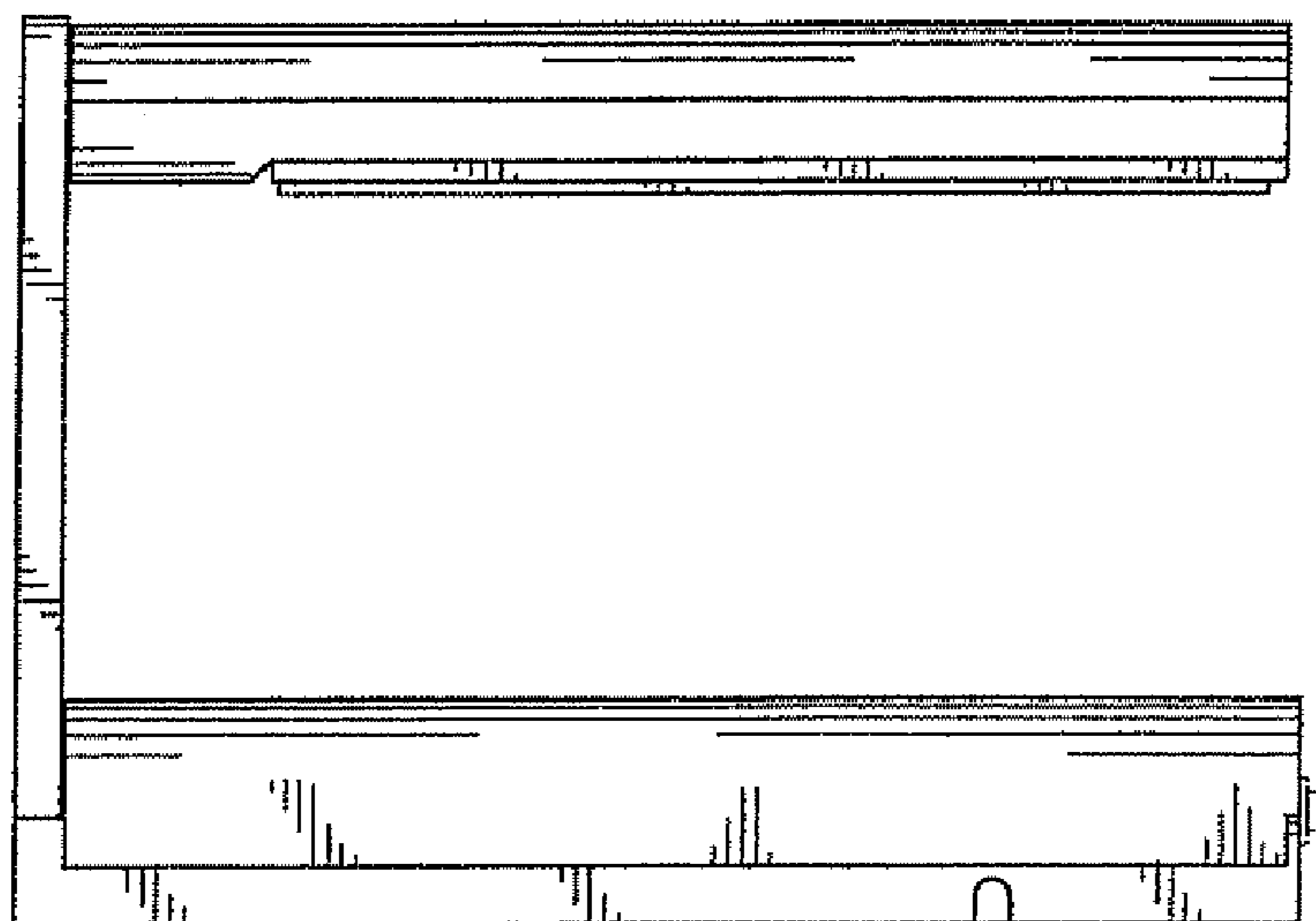


FIG. 8