



US00D567422S

(12) **United States Design Patent**
Gordin et al.

(10) **Patent No.:** **US D567,422 S**
(45) **Date of Patent:** **** Apr. 22, 2008**

(54) **LIGHTING FIXTURE**

(75) Inventors: **Myron K. Gordin**, Oskaloosa, IA (US);
Timothy J. Boyle, Oskaloosa, IA (US)

(73) Assignee: **Musco Corporation**, Oskaloosa, IA
(US)

(**) Term: **14 Years**

(21) Appl. No.: **29/221,693**

(22) Filed: **Jan. 18, 2005**

(51) **LOC (8) Cl.** **26-05**

(52) **U.S. Cl.** **D26/63; D26/118**

(58) **Field of Classification Search** D26/61,
D26/63, 65, 67-69, 71, 80, 85, 118, 138,
D26/139; 362/11, 16, 18, 227, 232, 235-239,
362/244-248, 348, 414, 418, 431, 347, 349,
362/359

See application file for complete search history.

(56) **References Cited**

U.S. PATENT DOCUMENTS

1,109,206 A *	9/1914	Dexheiner et al.	362/232
1,444,739 A *	2/1923	Geisendorfer et al.	362/284
1,508,791 A *	9/1924	Hoffman et al.	362/322
1,559,464 A *	10/1925	Sachse	362/293
1,560,408 A *	11/1925	Charlebois	362/343
1,560,948 A *	11/1925	Smothers	362/283
D84,982 S *	9/1931	Frame	D26/139
2,447,923 A	8/1948	Tuck	
2,495,265 A *	1/1950	Krogman	396/419
2,578,451 A *	12/1951	Rex	362/297
3,604,913 A *	9/1971	Crete	362/239
4,190,881 A *	2/1980	Drost et al.	362/250
4,228,489 A *	10/1980	Martin	362/250
D257,891 S	1/1981	Drost	
4,423,471 A	12/1983	Gordin	
4,450,507 A	5/1984	Gordin	
4,712,167 A	12/1987	Gordin	
4,729,077 A	3/1988	Gordin	
D295,326 S *	4/1988	Dahlgren	D26/63

4,816,974 A	3/1989	Gordin	
4,864,476 A *	9/1989	Lemons et al.	362/348
4,947,303 A *	8/1990	Gordin et al.	362/261
5,012,398 A	4/1991	Jones	
5,161,883 A	11/1992	Gordin	
5,207,747 A	5/1993	Gordin	
5,313,379 A *	5/1994	Lemons et al.	362/298
5,426,577 A	6/1995	Gordin	
5,707,142 A	1/1998	Gordin	
5,800,048 A	9/1998	Gordin	
5,856,721 A	1/1999	Gordin	
5,860,733 A	1/1999	Stone	
5,887,969 A	3/1999	Gordin	
6,203,176 B1	3/2001	Gordin	
6,398,392 B2	6/2002	Gordin	
6,474,844 B1 *	11/2002	Ching	362/285
6,857,763 B2 *	2/2005	Keller	362/239
2003/0147240 A1	8/2003	Gordin	

FOREIGN PATENT DOCUMENTS

EP 1 172 839 A2 1/2002

* cited by examiner

Primary Examiner—Clare E Heflin

(74) *Attorney, Agent, or Firm*—McKee, Voorhees & Sease,
P.L.C.

(57) **CLAIM**

The ornamental design for a lighting fixture, as shown.

DESCRIPTION

FIG. 1 is a perspective view of an embodiment of a lighting fixture according to the present invention.

FIG. 2 is a top view of FIG. 1.

FIG. 3 is a rear view of FIG. 1.

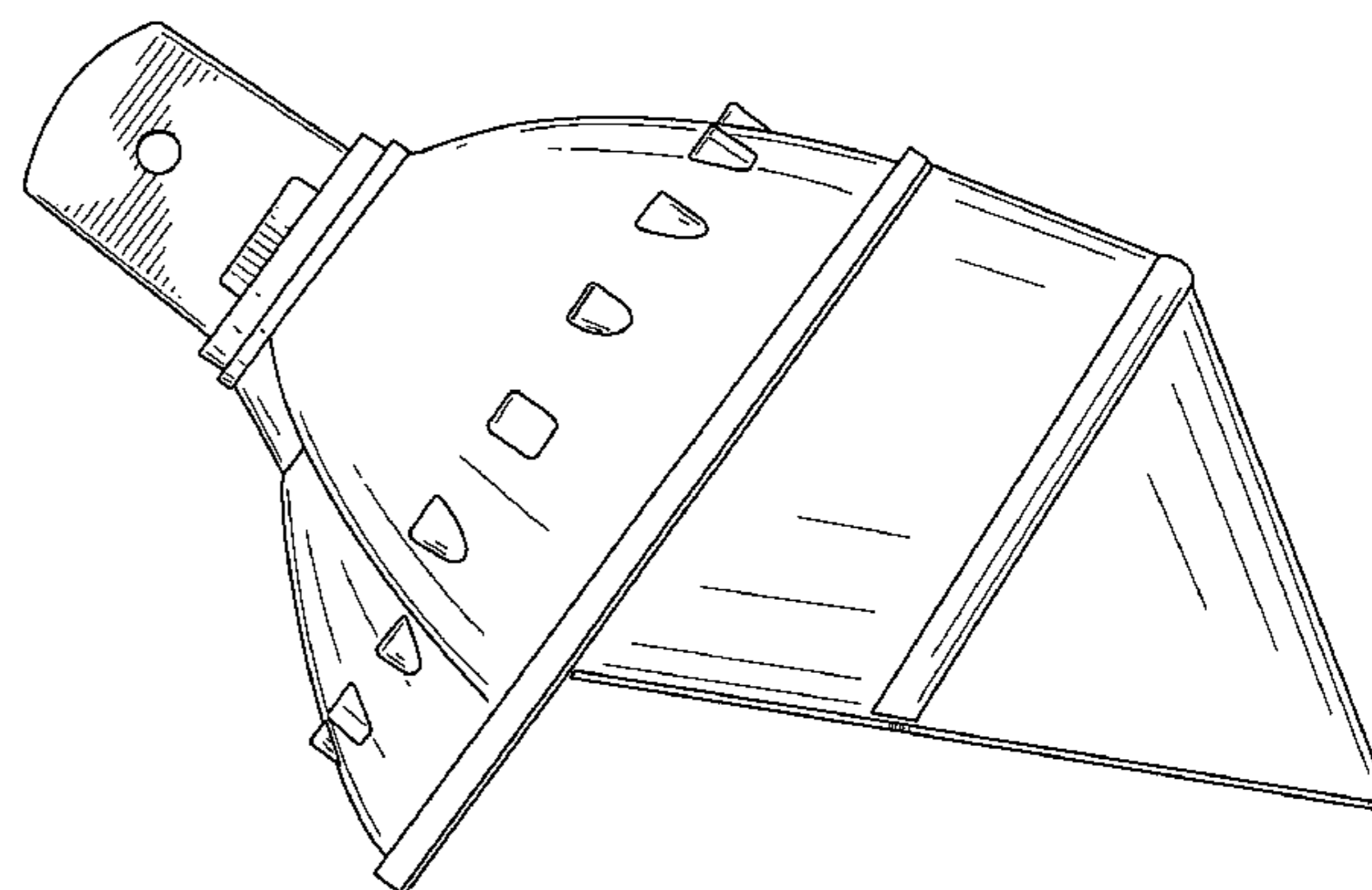
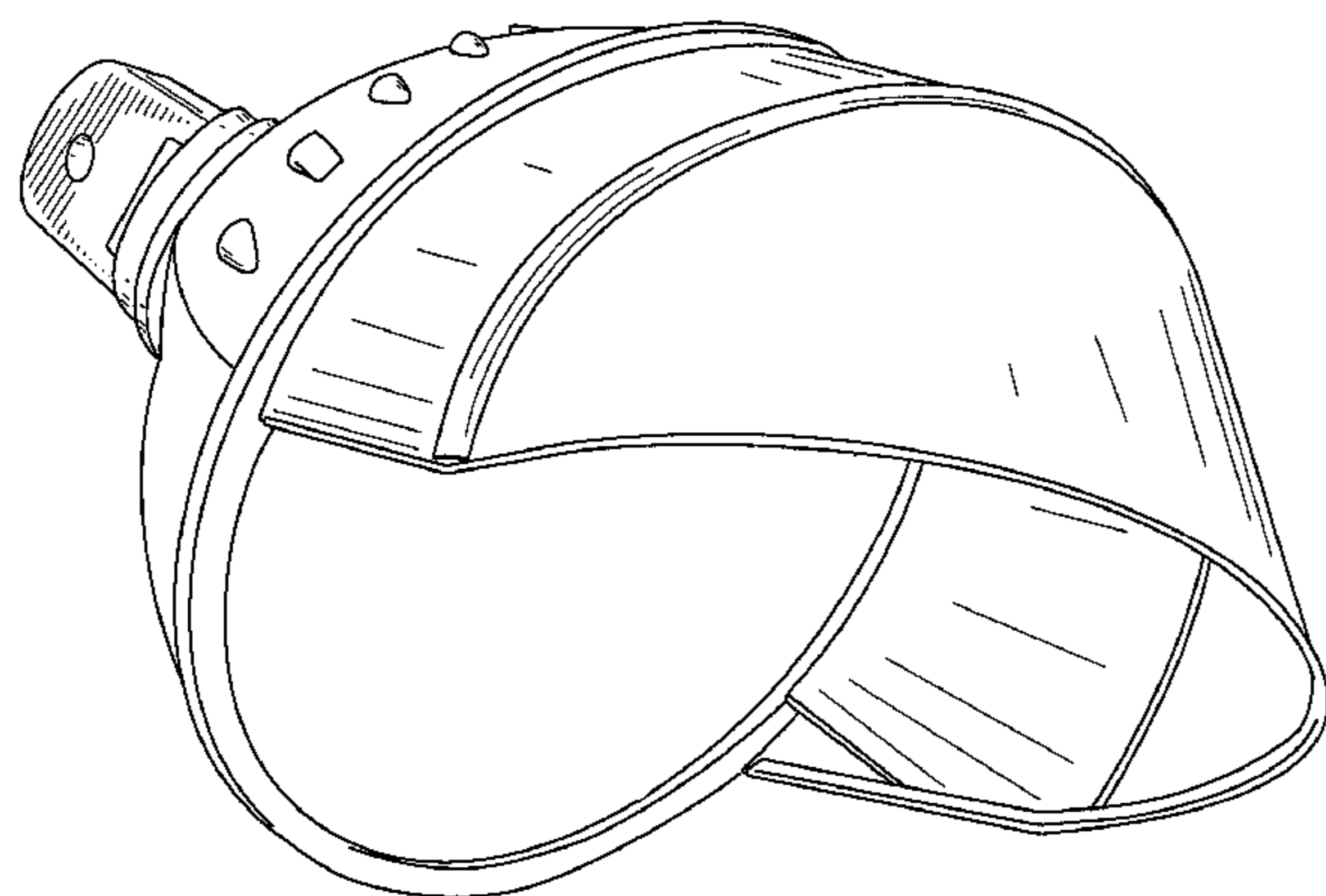
FIG. 4 is a left side view of FIG. 1.

FIG. 5 is a right side view of FIG. 1.

FIG. 6 is a front elevation of FIG. 1; and,

FIG. 7 is a bottom view of FIG. 1.

1 Claim, 7 Drawing Sheets



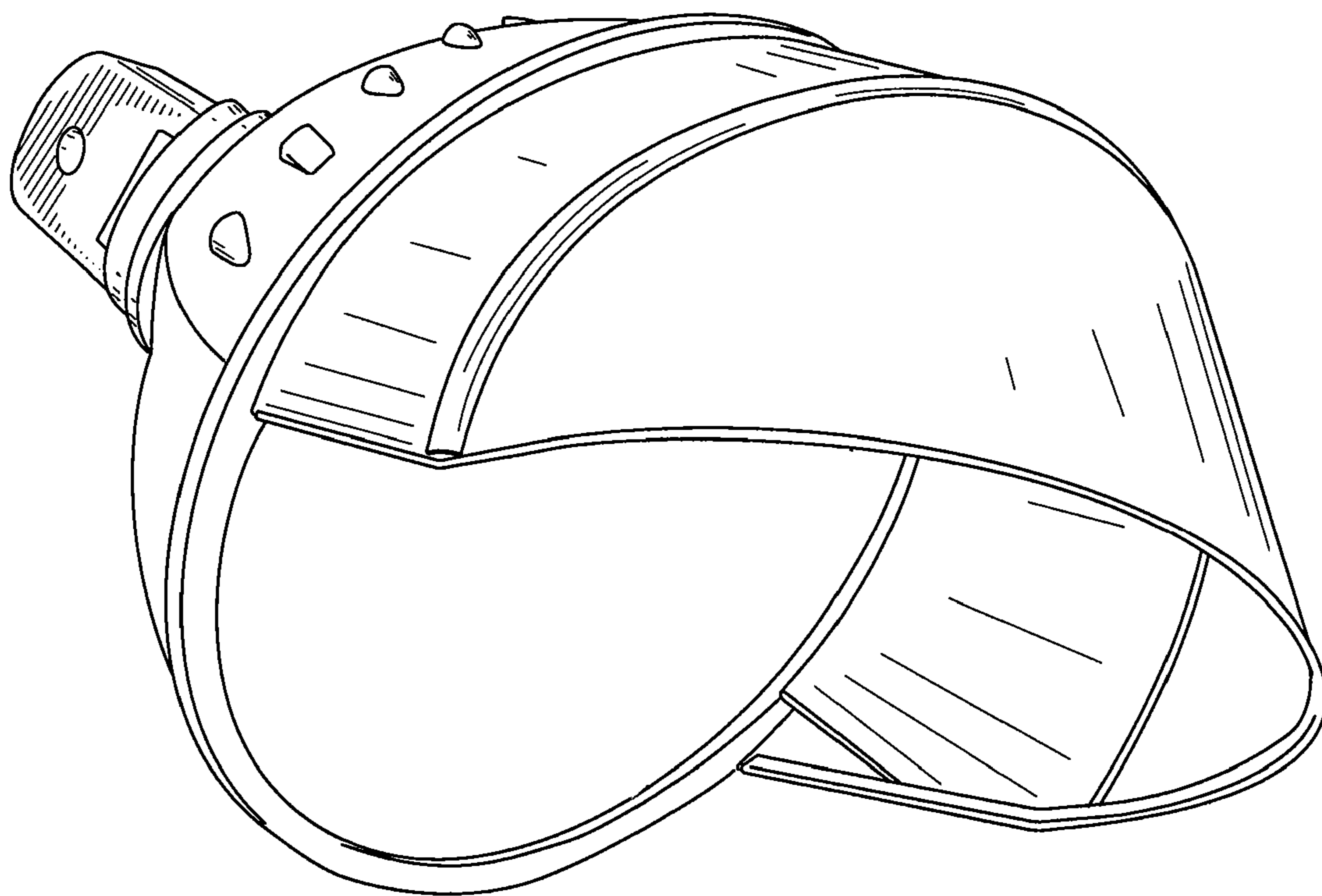


FIG. 1

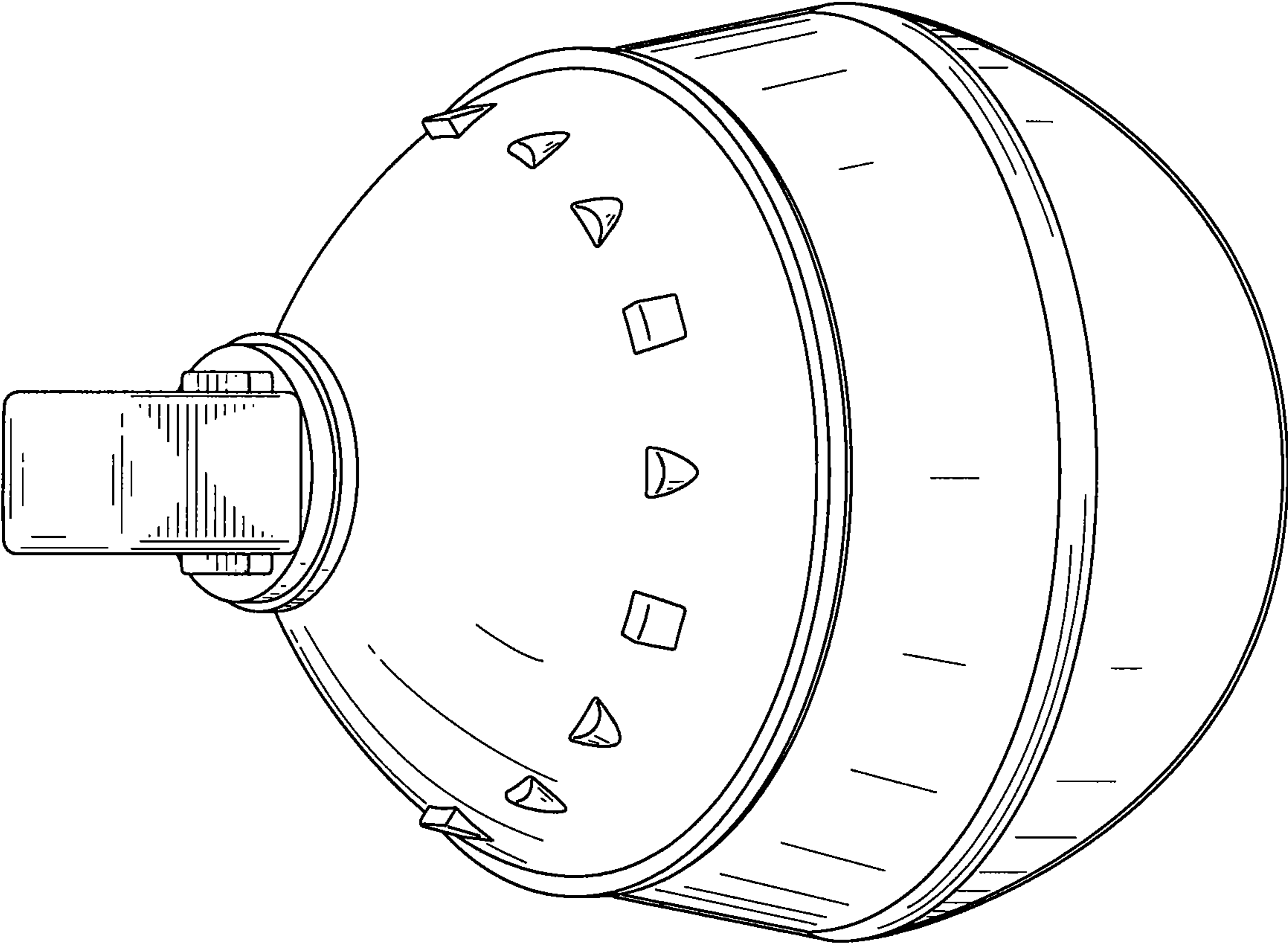


FIG. 2

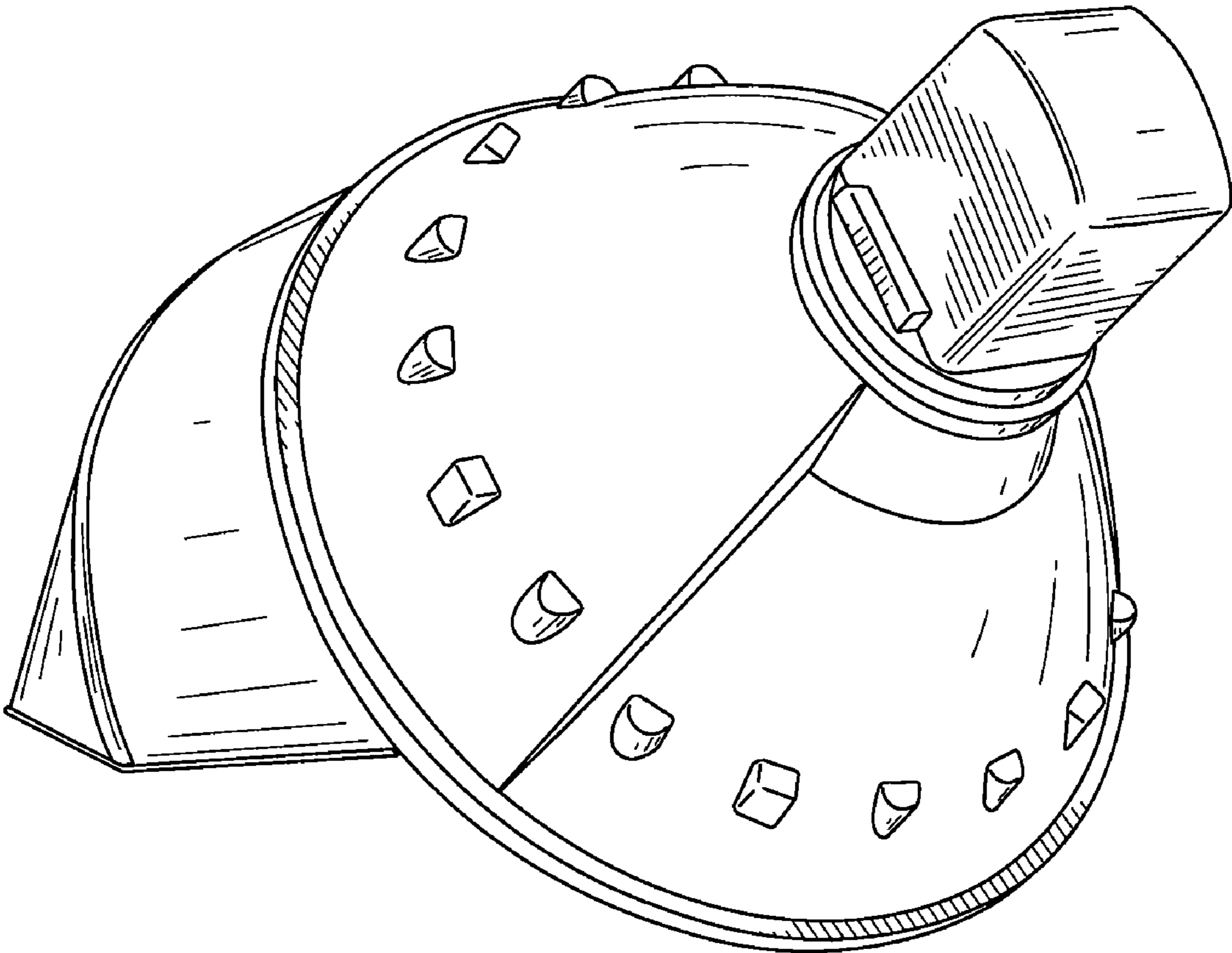


FIG. 3

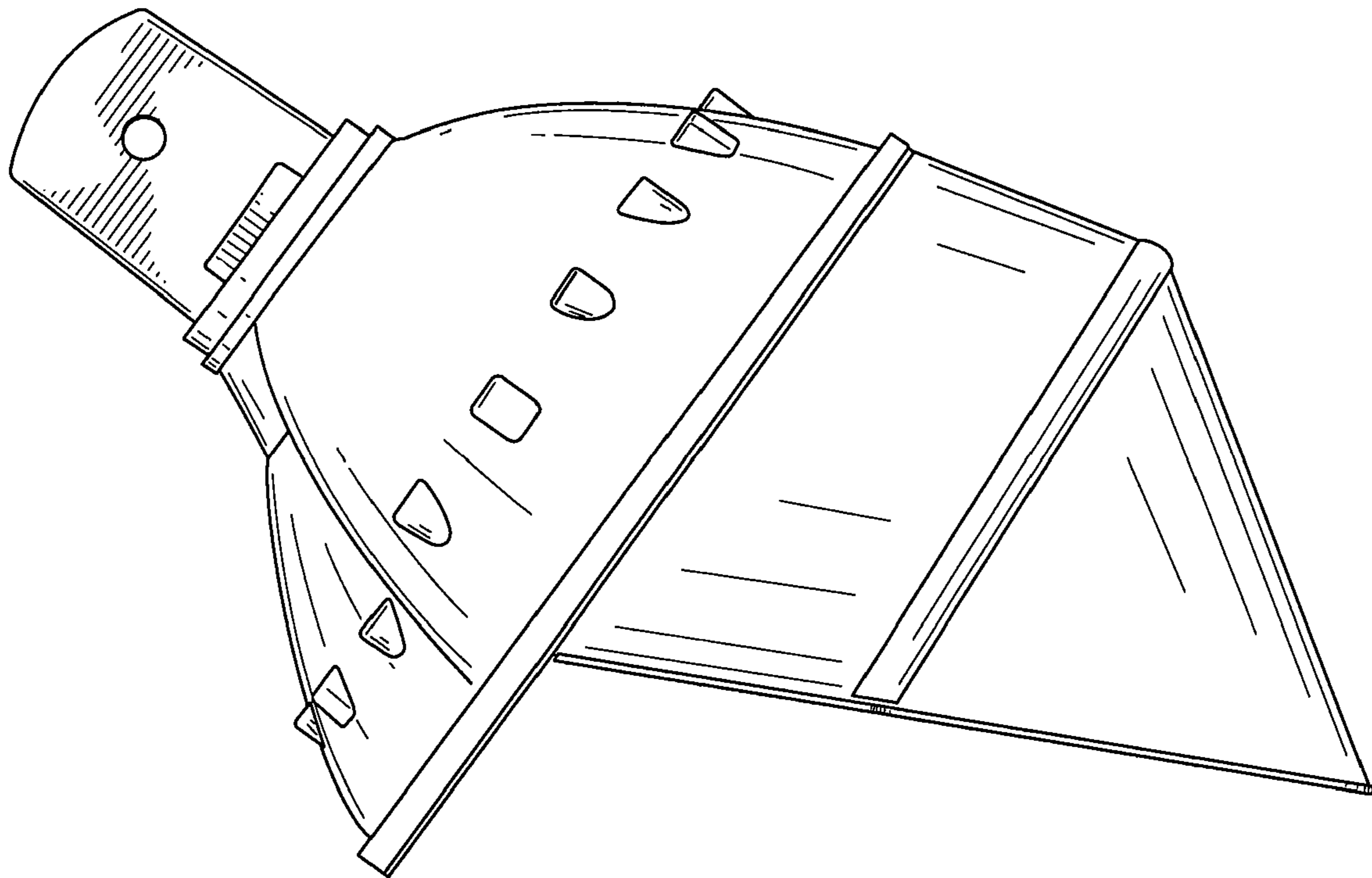


FIG. 4

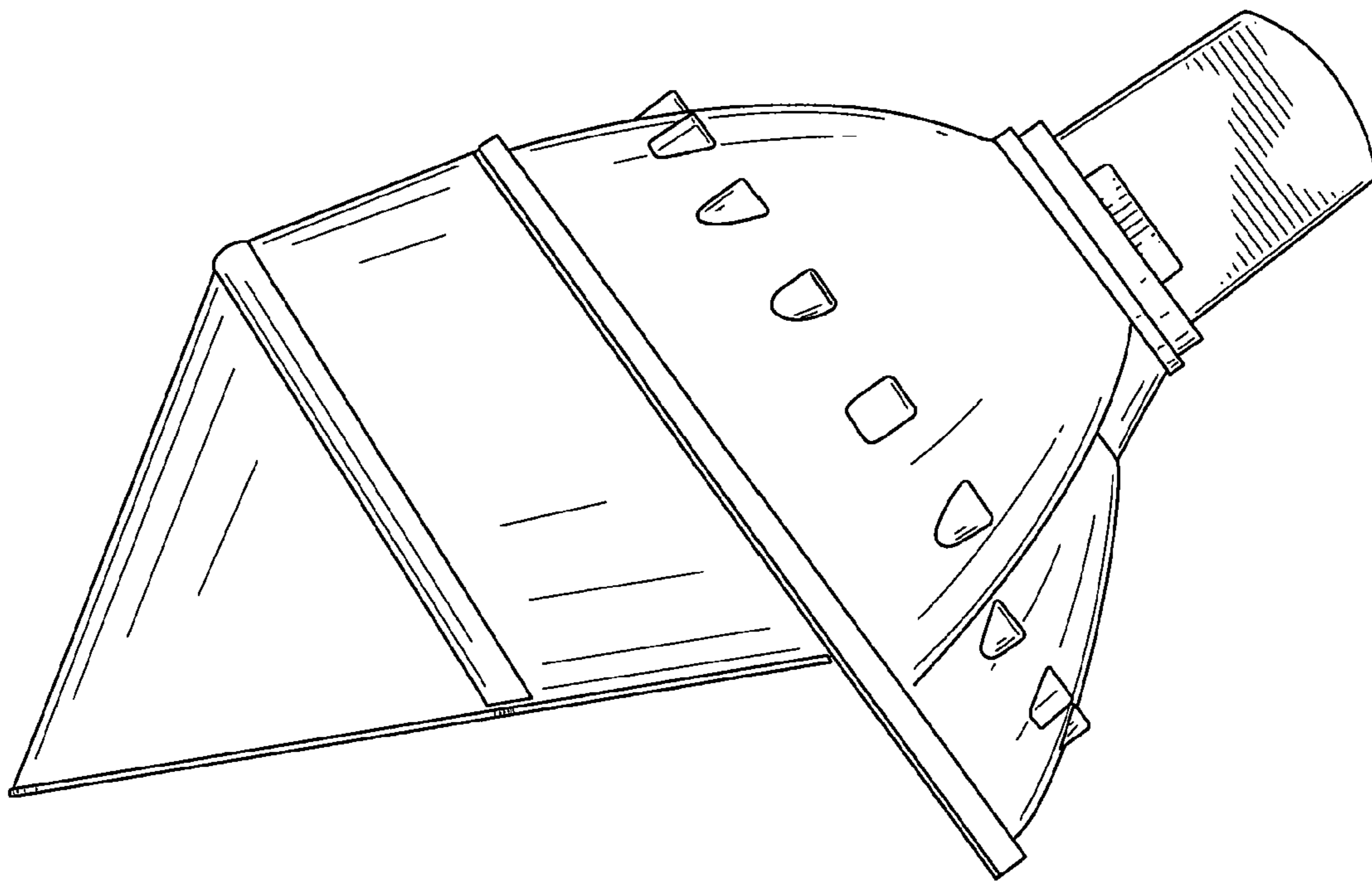


FIG. 5

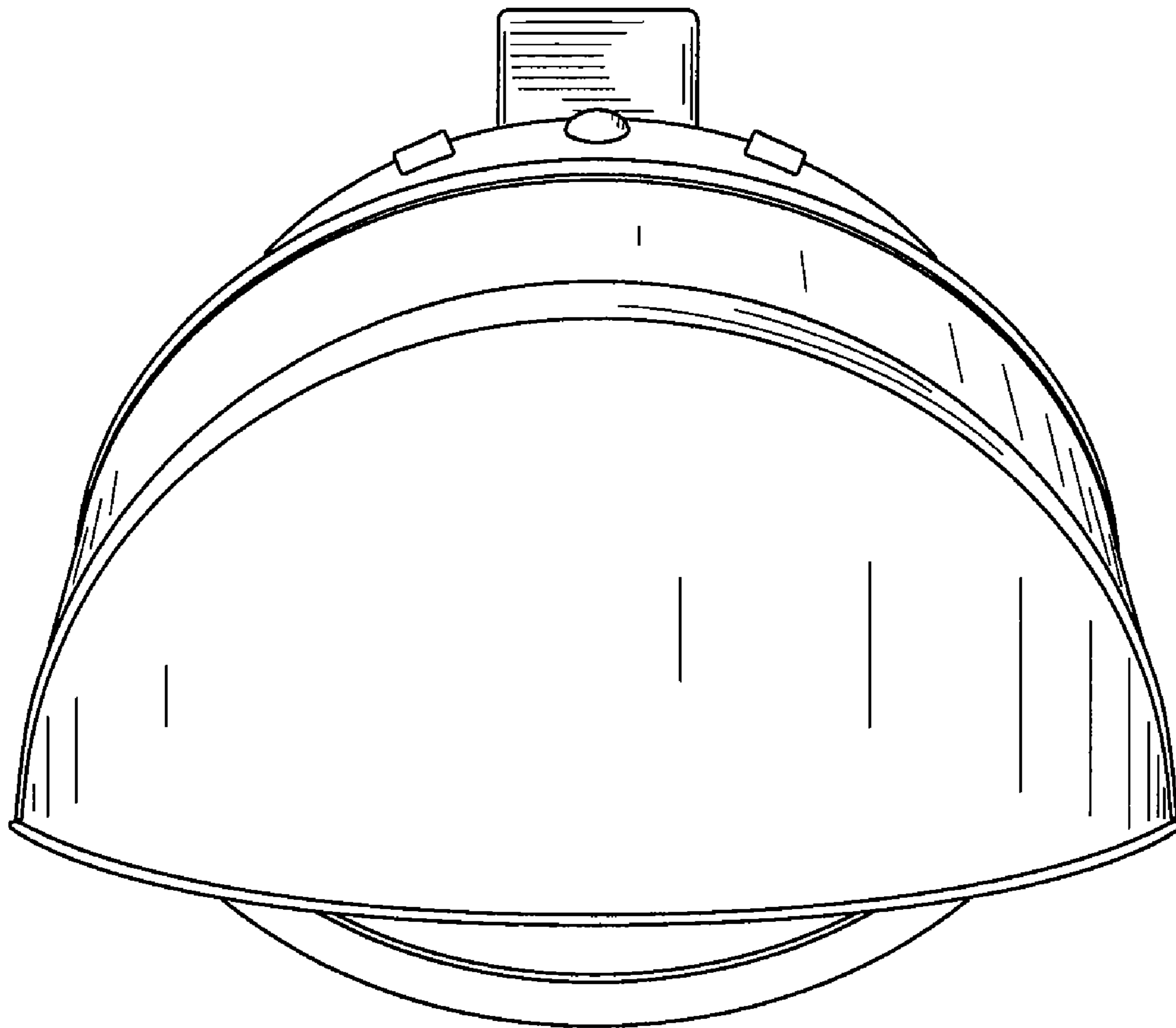


FIG. 6

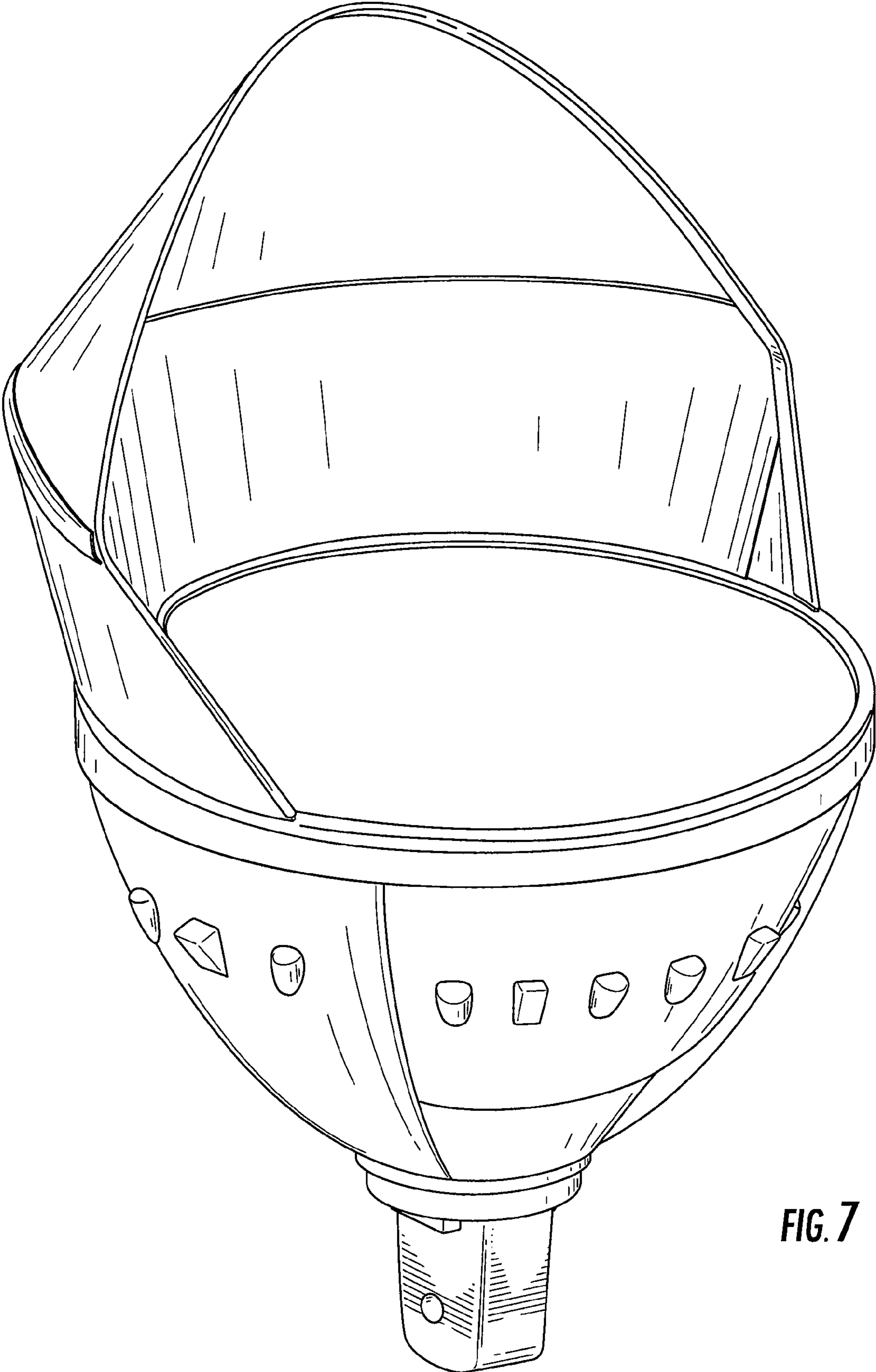


FIG. 7