



US00D567421S

(12) **United States Design Patent**
Pan

(10) **Patent No.:** **US D567,421 S**

(45) **Date of Patent:** **** Apr. 22, 2008**

(54) **CEILING FAN LIGHT KIT**

(74) *Attorney, Agent, or Firm*—Ming Chow; Sinorica, LLC

(75) **Inventor:** **Peter Pan**, Shetzu (TW)

(57) **CLAIM**

(73) **Assignee:** **Air Cool Industrial Co., Ltd.**,
Taichung (TW)

I claim the ornamental design for a ceiling fan light kit, as shown and described.

(**) **Term:** **14 Years**

DESCRIPTION

(21) **Appl. No.:** **29/295,527**

FIG. 1 is a front perspective view of a ceiling fan light kit showing my new design;

(22) **Filed:** **Sep. 29, 2007**

FIG. 2 is a front elevational view thereof;

(51) **LOC (8) Cl.** **26-05**

FIG. 3 is a rear elevational view thereof;

(52) **U.S. Cl.** **D26/59**

FIG. 4 is a left side elevational view thereof;

(58) **Field of Classification Search** D26/59,
D26/51, 72, 81–86, 88; D23/411, 377, 379,
D23/385; 416/5; 362/96

FIG. 5 is a right side elevational view thereof;

See application file for complete search history.

FIG. 6 is a top plan view thereof; and

(56) **References Cited**

FIG. 7 is a bottom plan view thereof; and,

U.S. PATENT DOCUMENTS

FIG. 8 is a front end view of the bath accessory base in accordance with my design, shown in its environment thereof.

D431,314 S * 9/2000 Dolan D26/86

D498,868 S * 11/2004 Parres D26/81

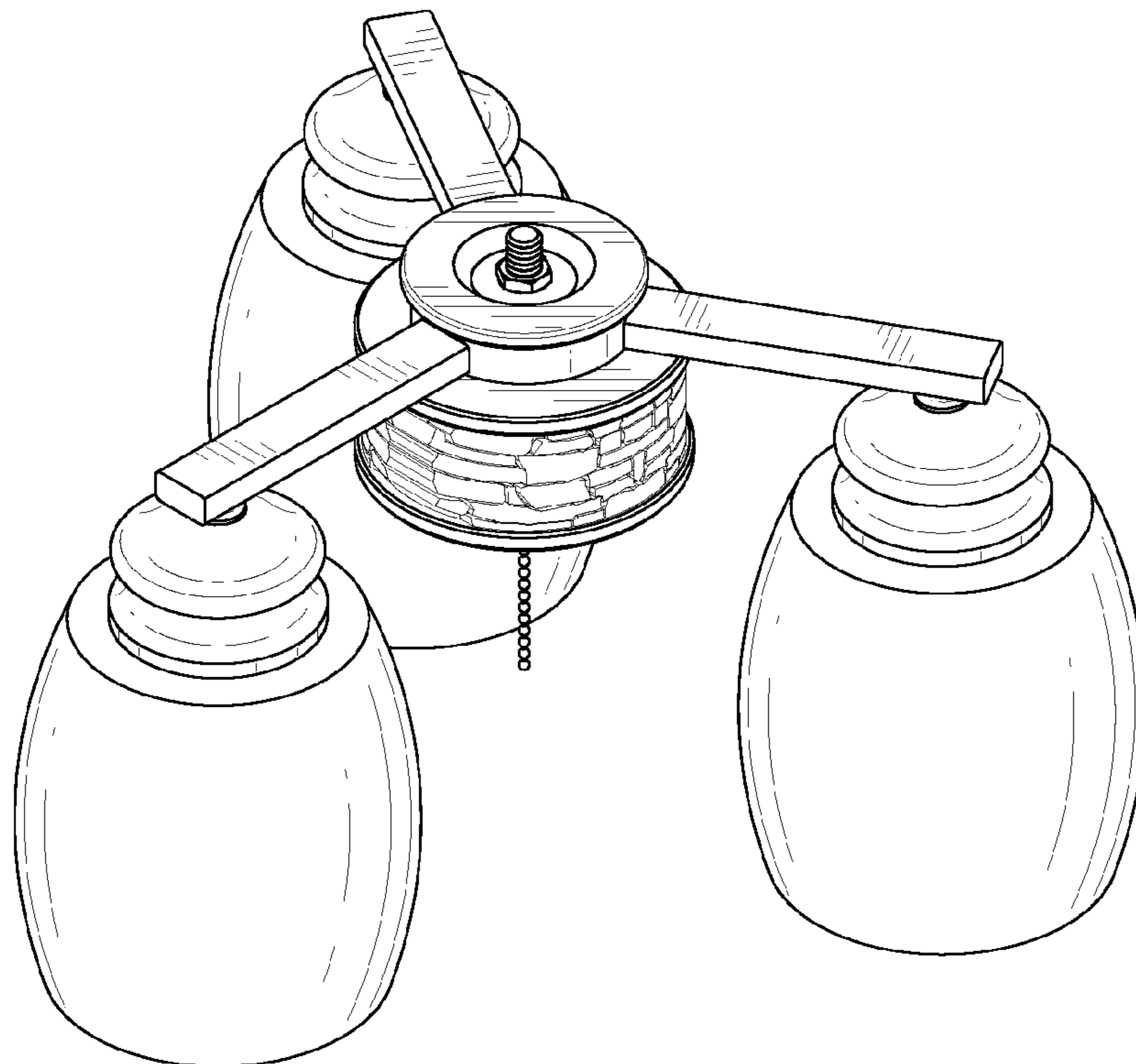
D533,937 S * 12/2006 Pan D23/411

The broken line showing of a ceiling fan is included for the purpose of illustrating environmental structure and forms no part of the claimed design.

* cited by examiner

Primary Examiner—Lisa Lichtenstein

1 Claim, 6 Drawing Sheets



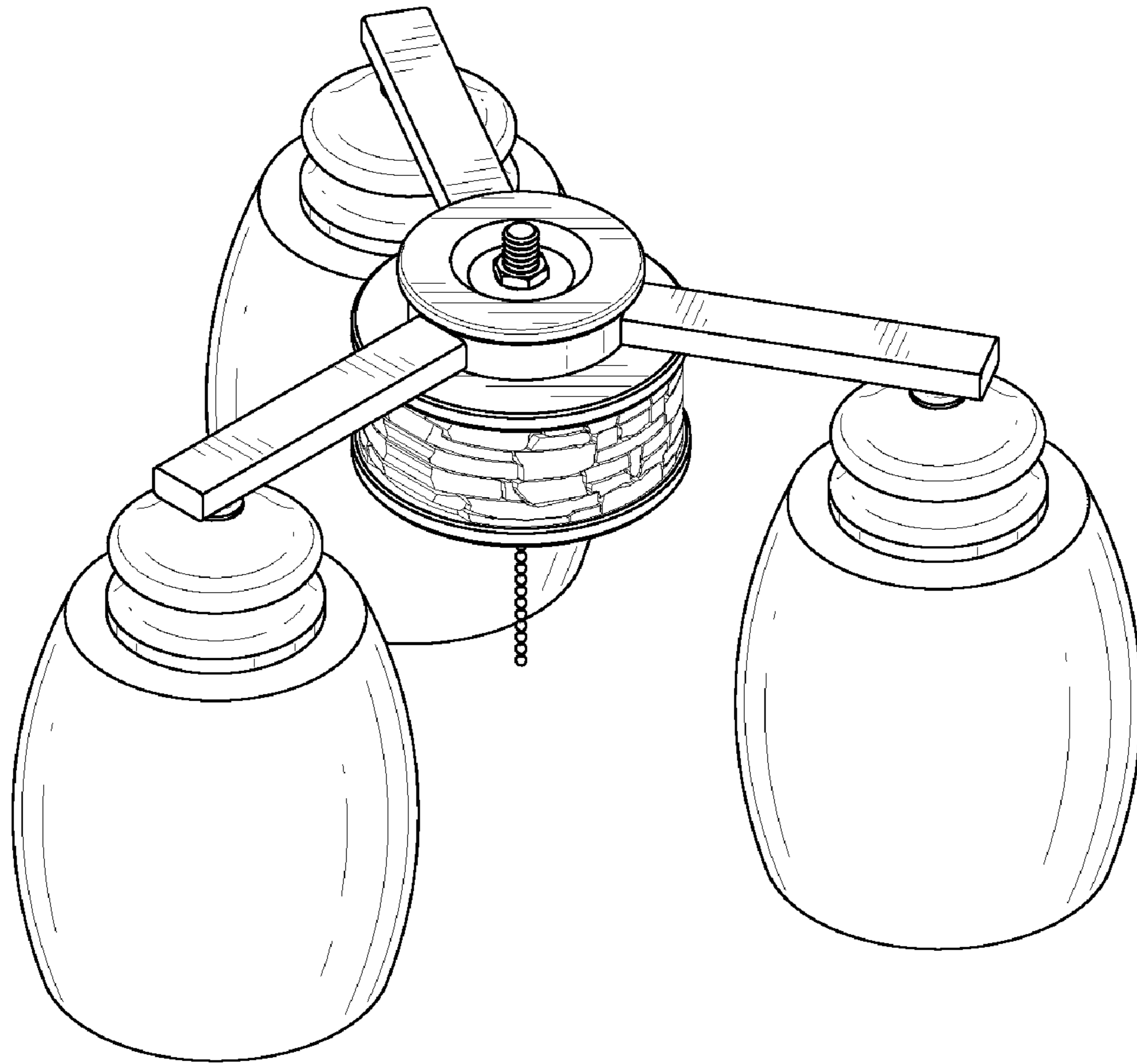


FIG. 1

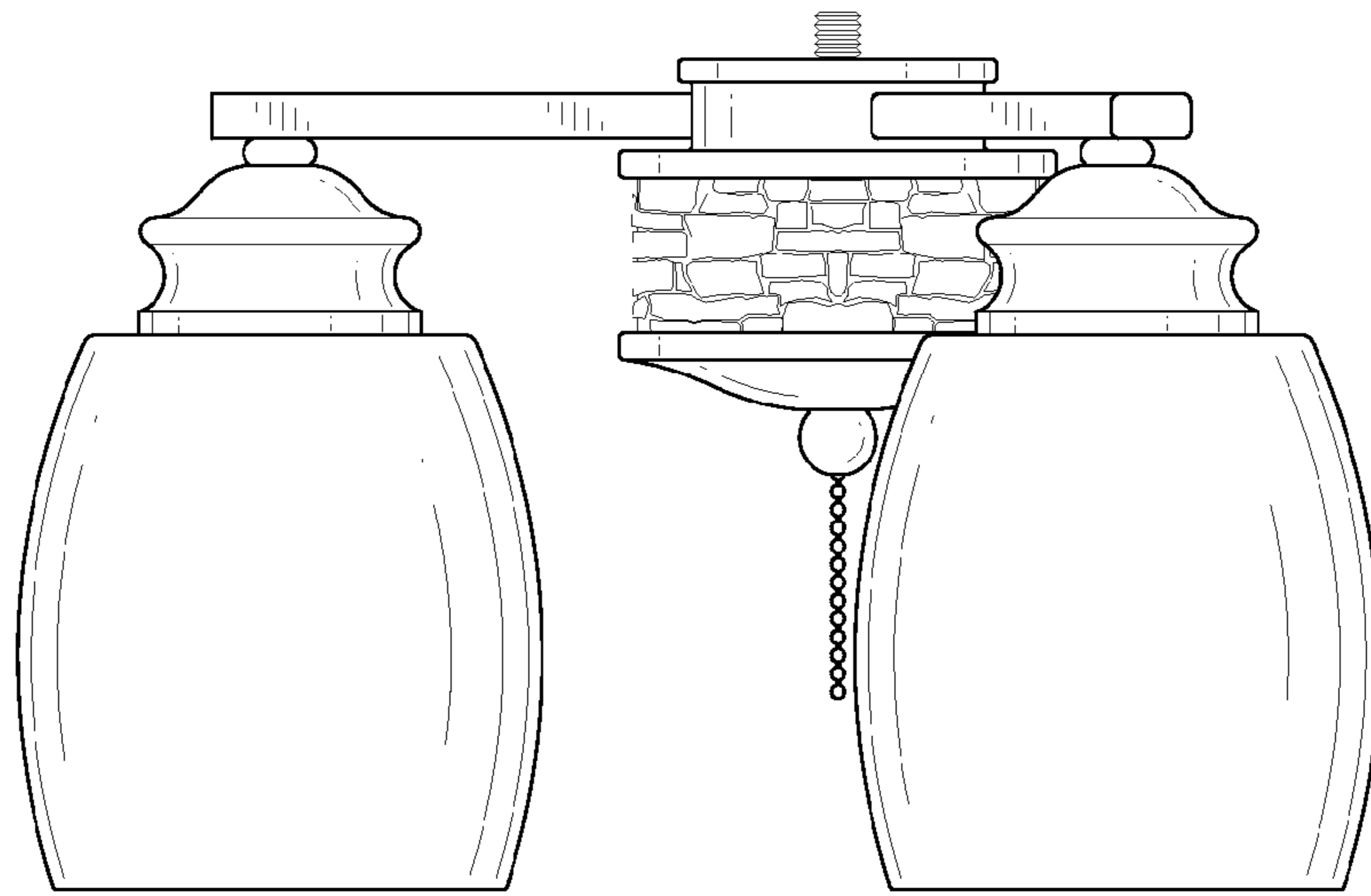


FIG. 2

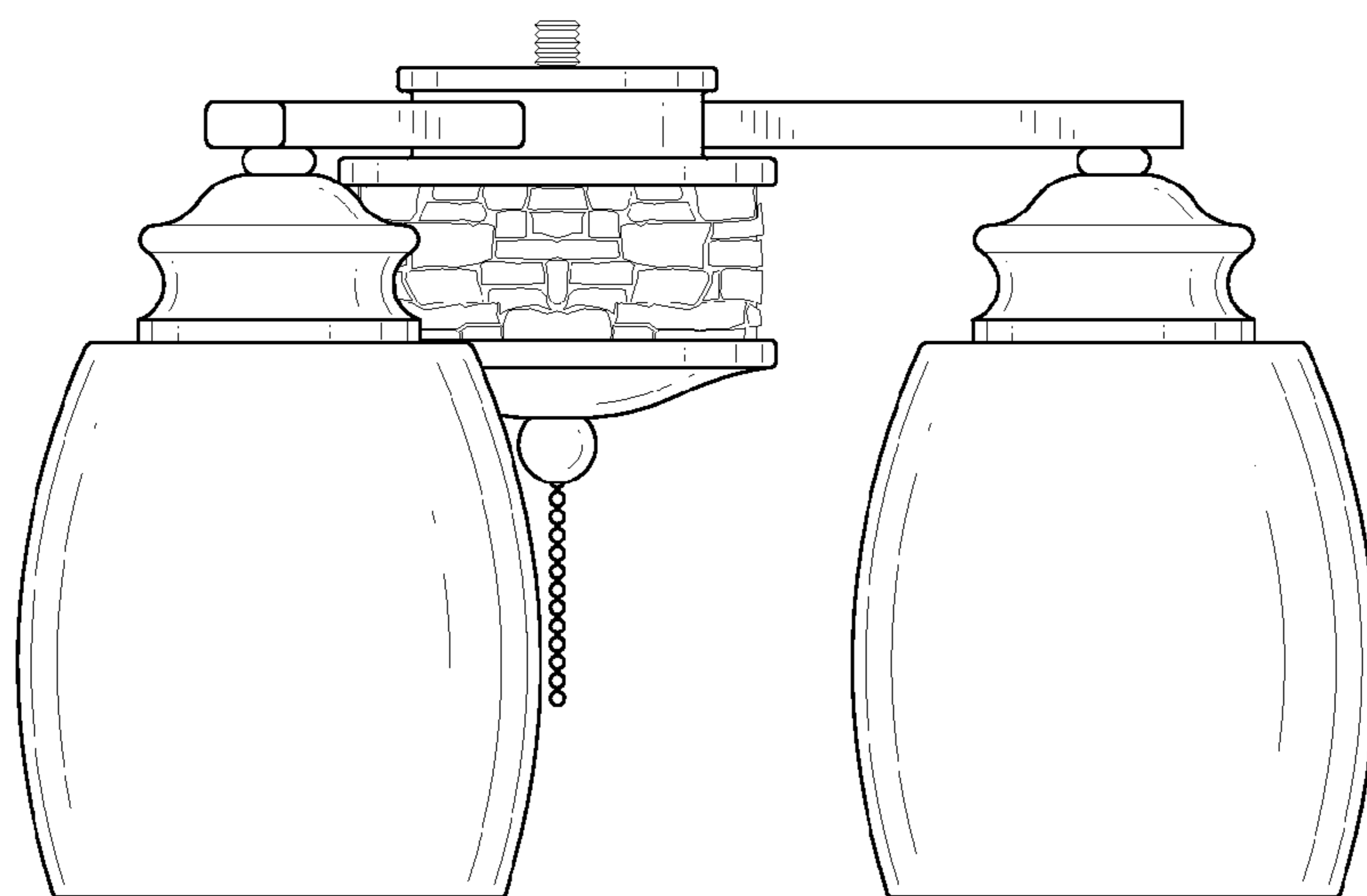


FIG. 3

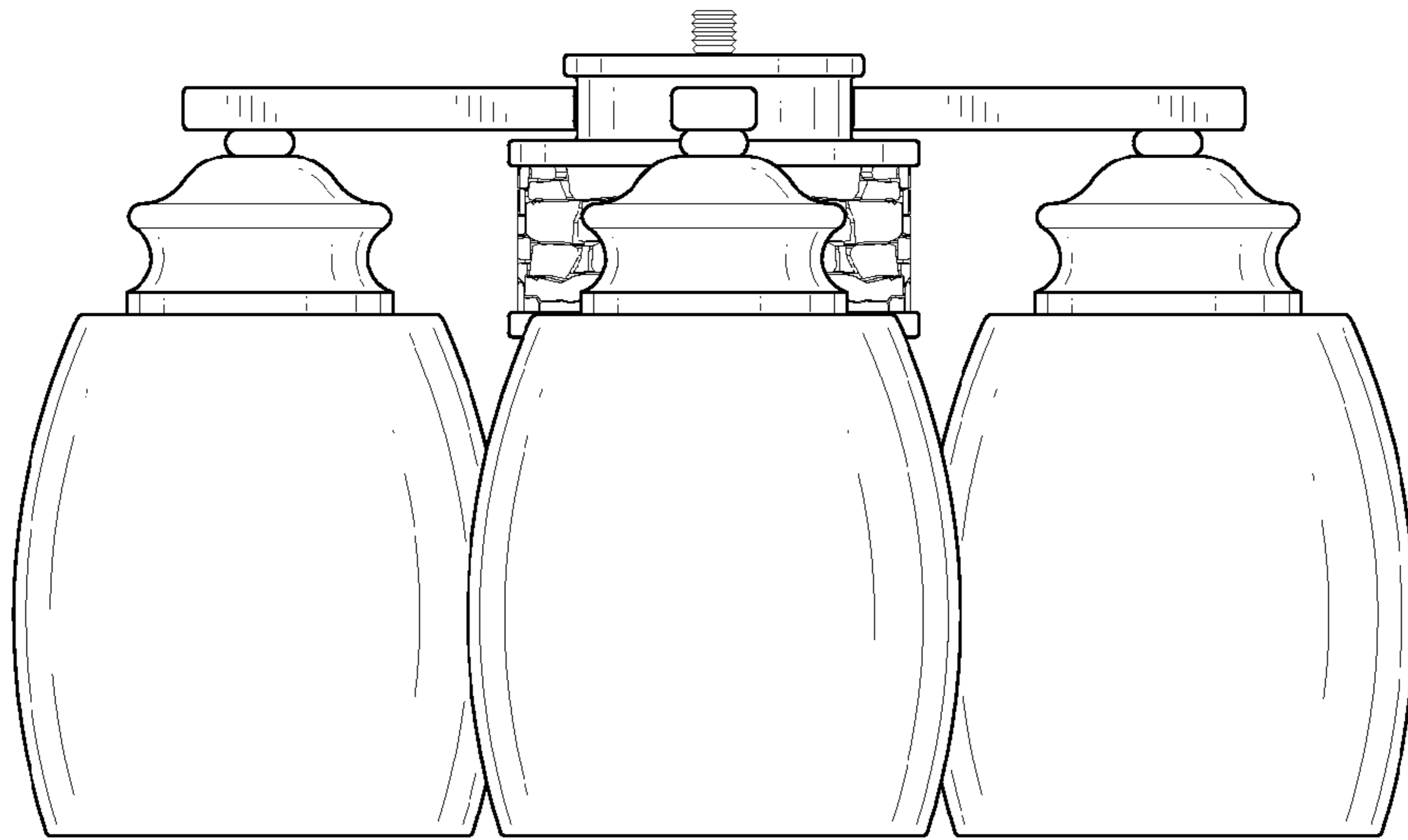


FIG. 4

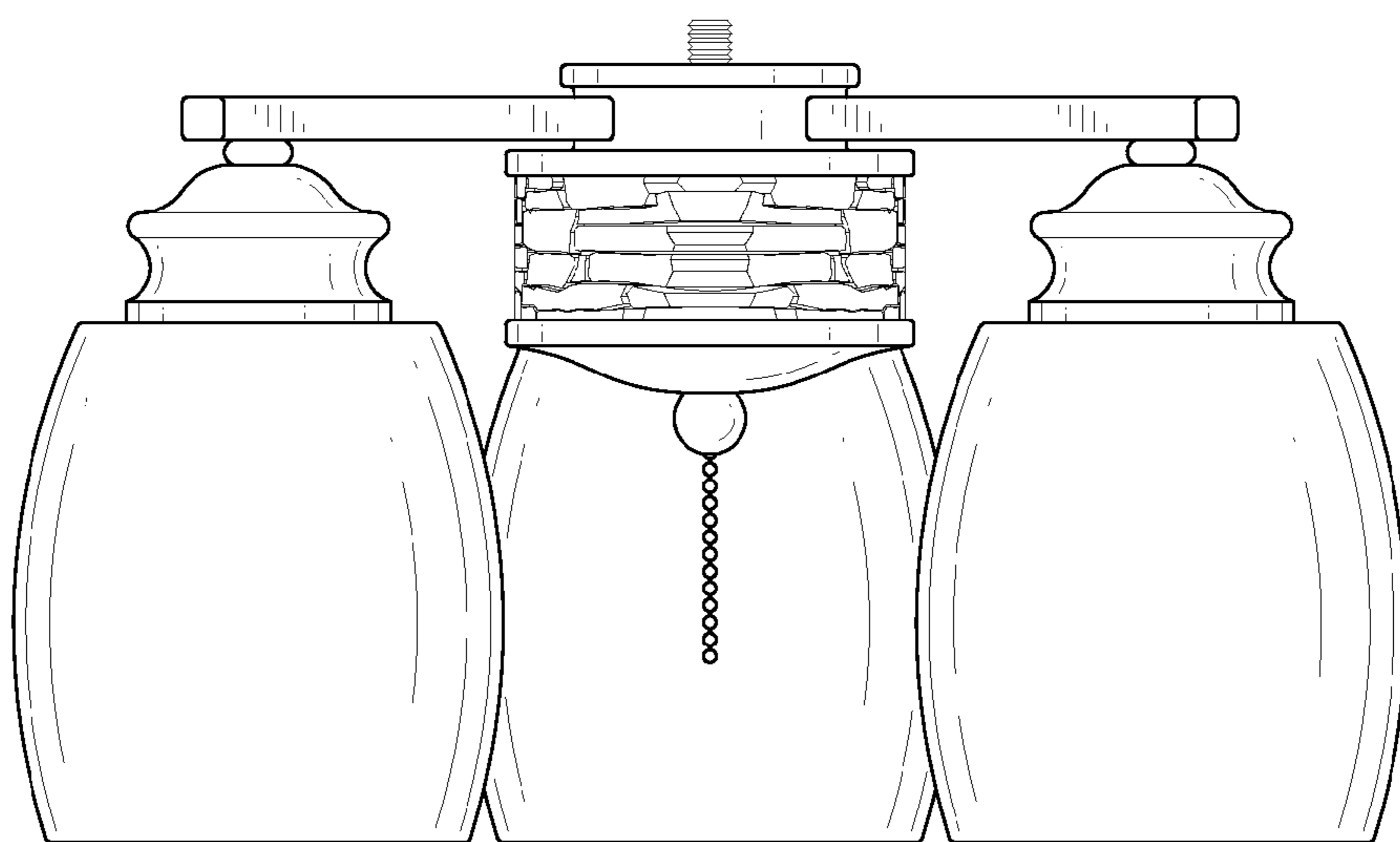


FIG. 5

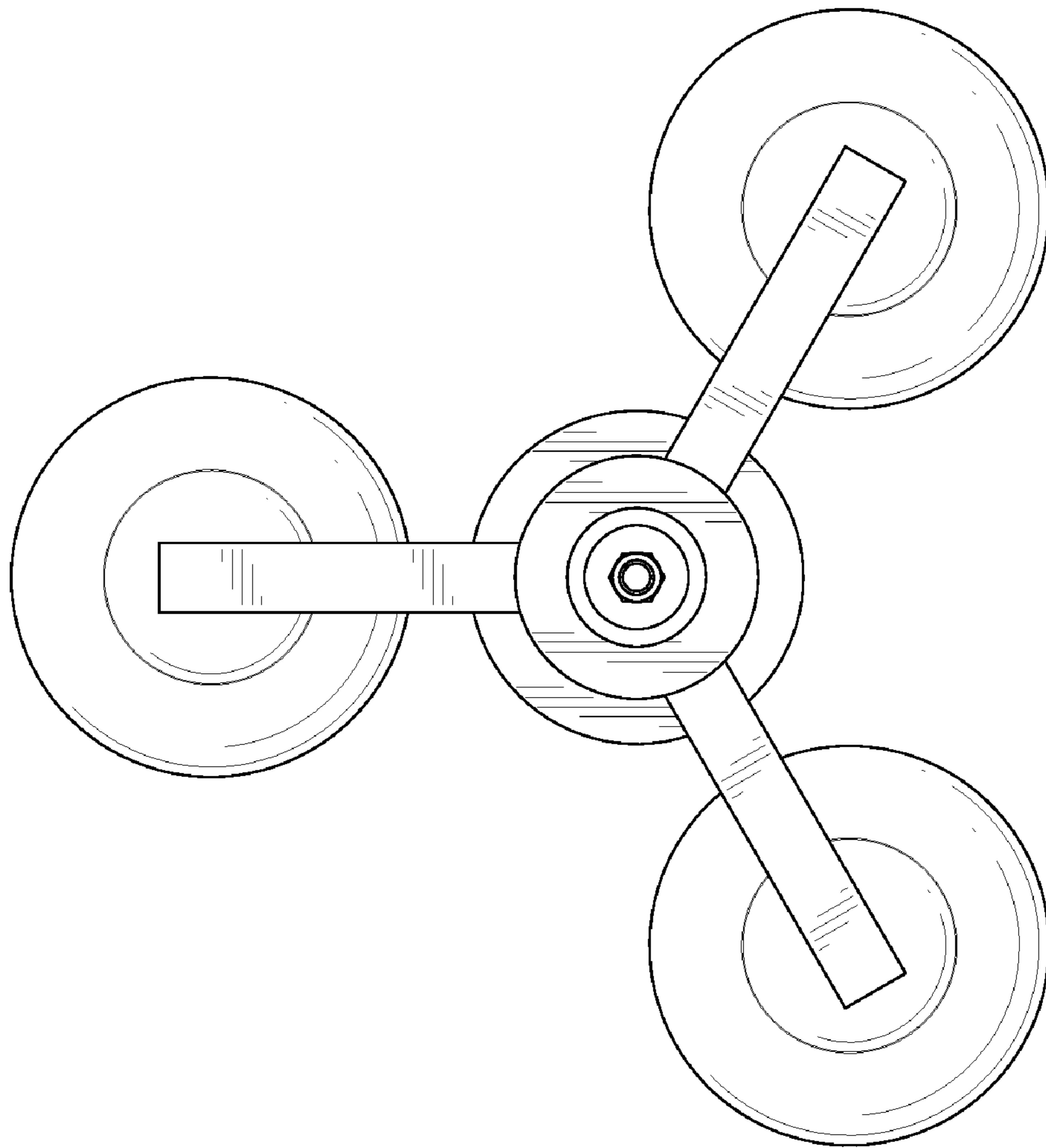


FIG. 6

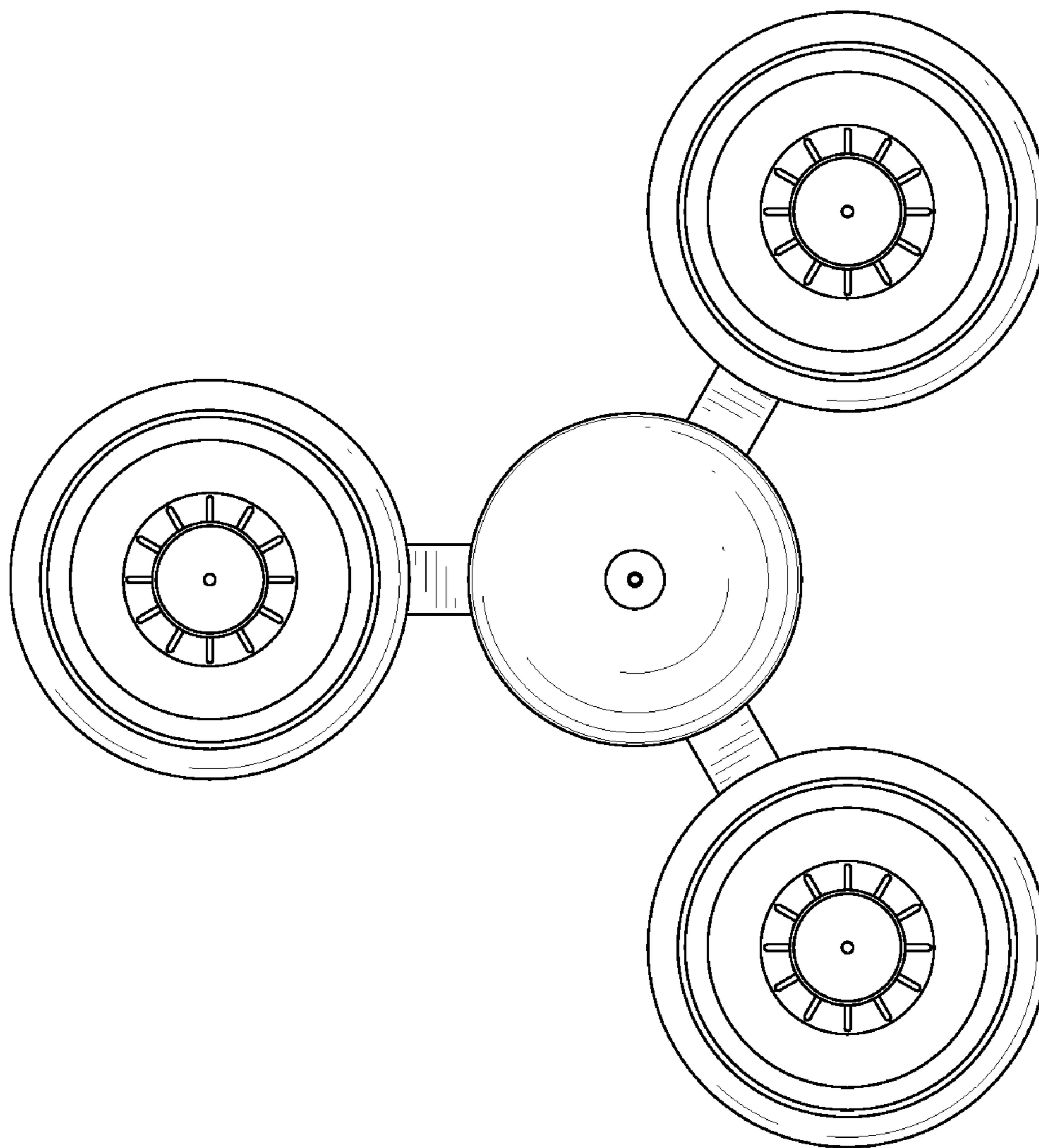


FIG. 7

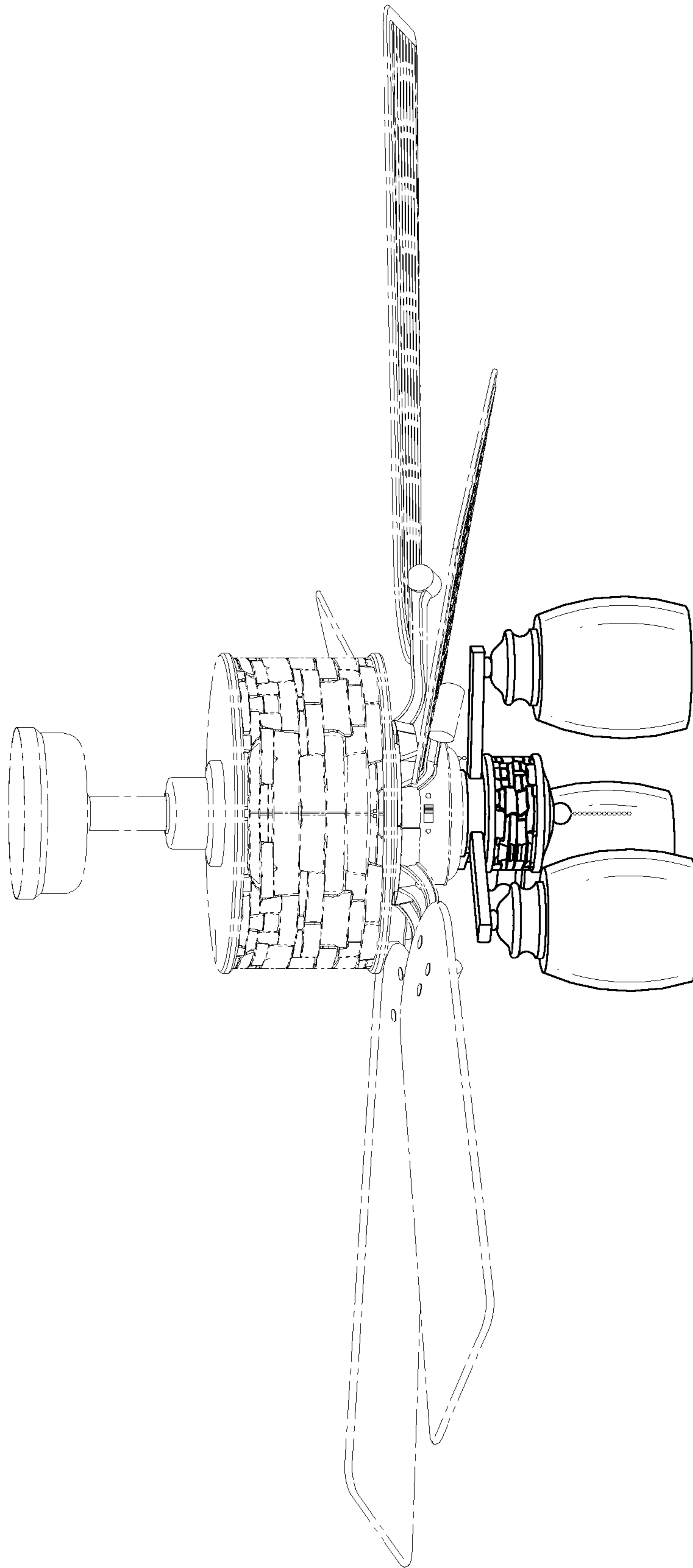


FIG. 8