



US00D567419S

(12) **United States Design Patent**
Ho

(10) **Patent No.:** **US D567,419 S**

(45) **Date of Patent:** **** Apr. 22, 2008**

(54) **SOLAR-POWERED SPOTLIGHT**

(75) Inventor: **Ka Kin Ho**, Hong Kong (CN)

(73) Assignee: **The Brinkmann Corporation**, Dallas, TX (US)

(**) Term: **14 Years**

(21) Appl. No.: **29/288,857**

(22) Filed: **Jun. 21, 2007**

(51) **LOC (8) Cl.** **26-02**

(52) **U.S. Cl.** **D26/45**

(58) **Field of Classification Search** D26/37-50;
362/157, 158, 171-174, 183-208
See application file for complete search history.

(56) **References Cited**

U.S. PATENT DOCUMENTS

D340,305 S	10/1993	Hall et al.	
D436,200 S	1/2001	Cheong et al.	
D441,474 S *	5/2001	Poon	D26/45
6,364,504 B1	4/2002	Hon	
D461,266 S	8/2002	Siu Cheong et al.	
D466,637 S *	12/2002	Gisser	D26/45
D469,904 S	2/2003	Levine et al.	
D477,681 S	7/2003	Krieger et al.	
D500,155 S	12/2004	Lee	

D518,214 S *	3/2006	Krieger et al.	D26/45
D522,153 S *	5/2006	Krieger et al.	D26/45
D526,731 S *	8/2006	Cheung et al.	D26/45

* cited by examiner

Primary Examiner—Marcus A. Jackson

(74) *Attorney, Agent, or Firm*—Sheppard, Mullin, Richter & Hampton LLP

(57) **CLAIM**

I claim the ornamental design for a solar-powered spotlight, as shown and described.

DESCRIPTION

FIG. 1 is a perspective view of a solar-powered spotlight showing the new design;

FIG. 2 is a right side elevational view thereof;

FIG. 3 is a left side elevational view thereof;

FIG. 4 is a front elevational view thereof;

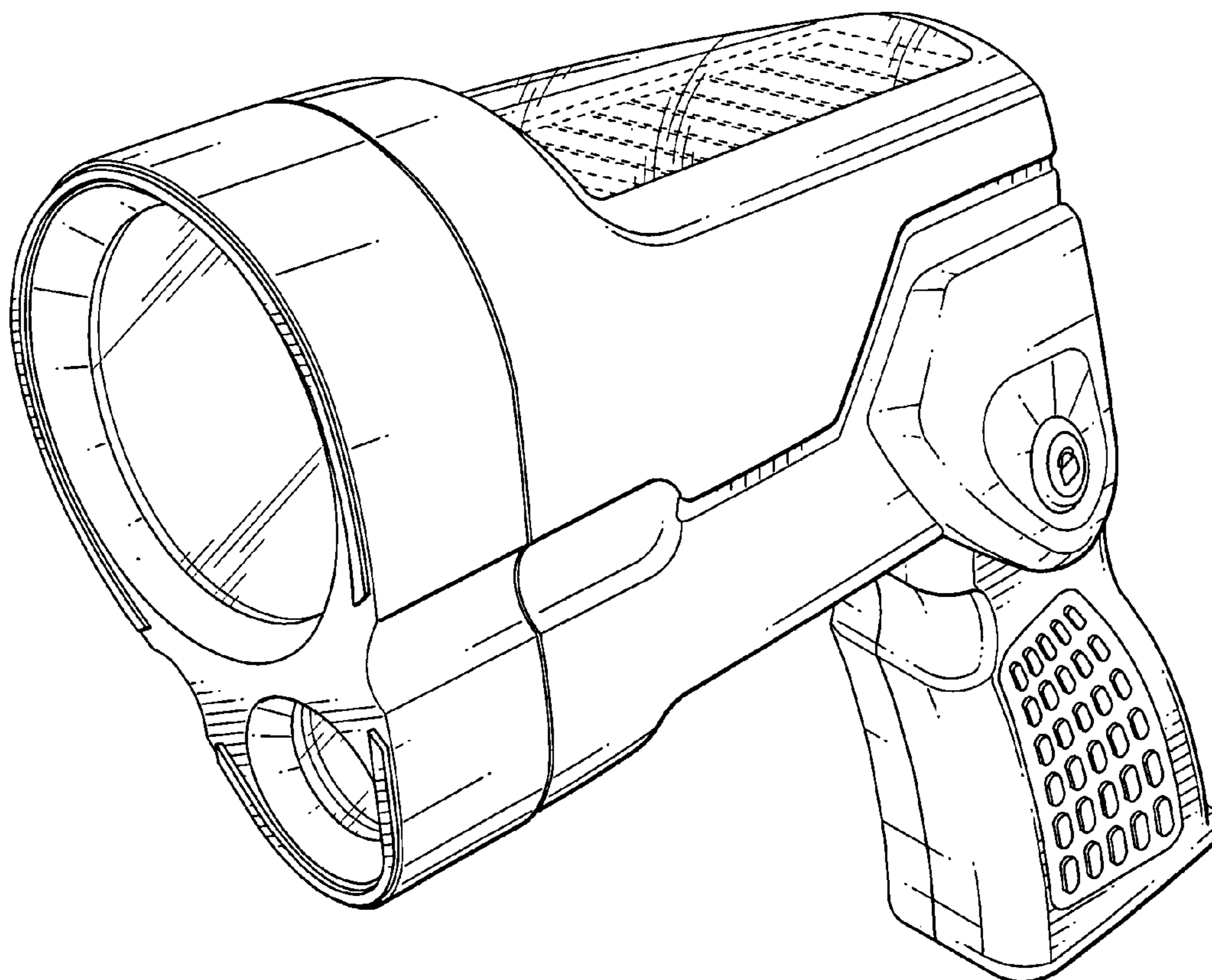
FIG. 5 is a rear elevational view thereof;

FIG. 6 is a top plan view thereof; and,

FIG. 7 is a bottom plan view thereof.

The dotted lines are for illustrative purposes only and form no part of the claimed design.

1 Claim, 5 Drawing Sheets



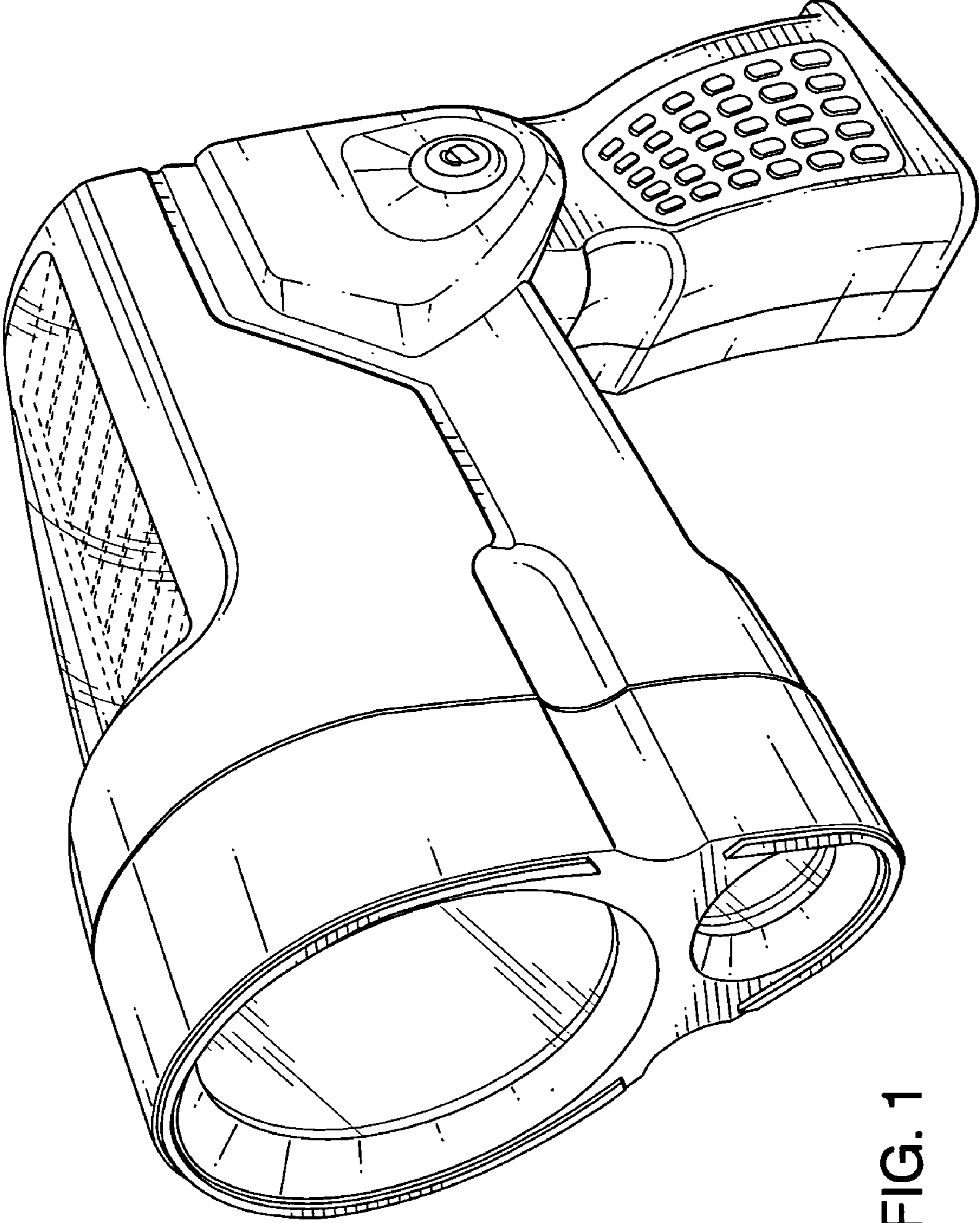


FIG. 1

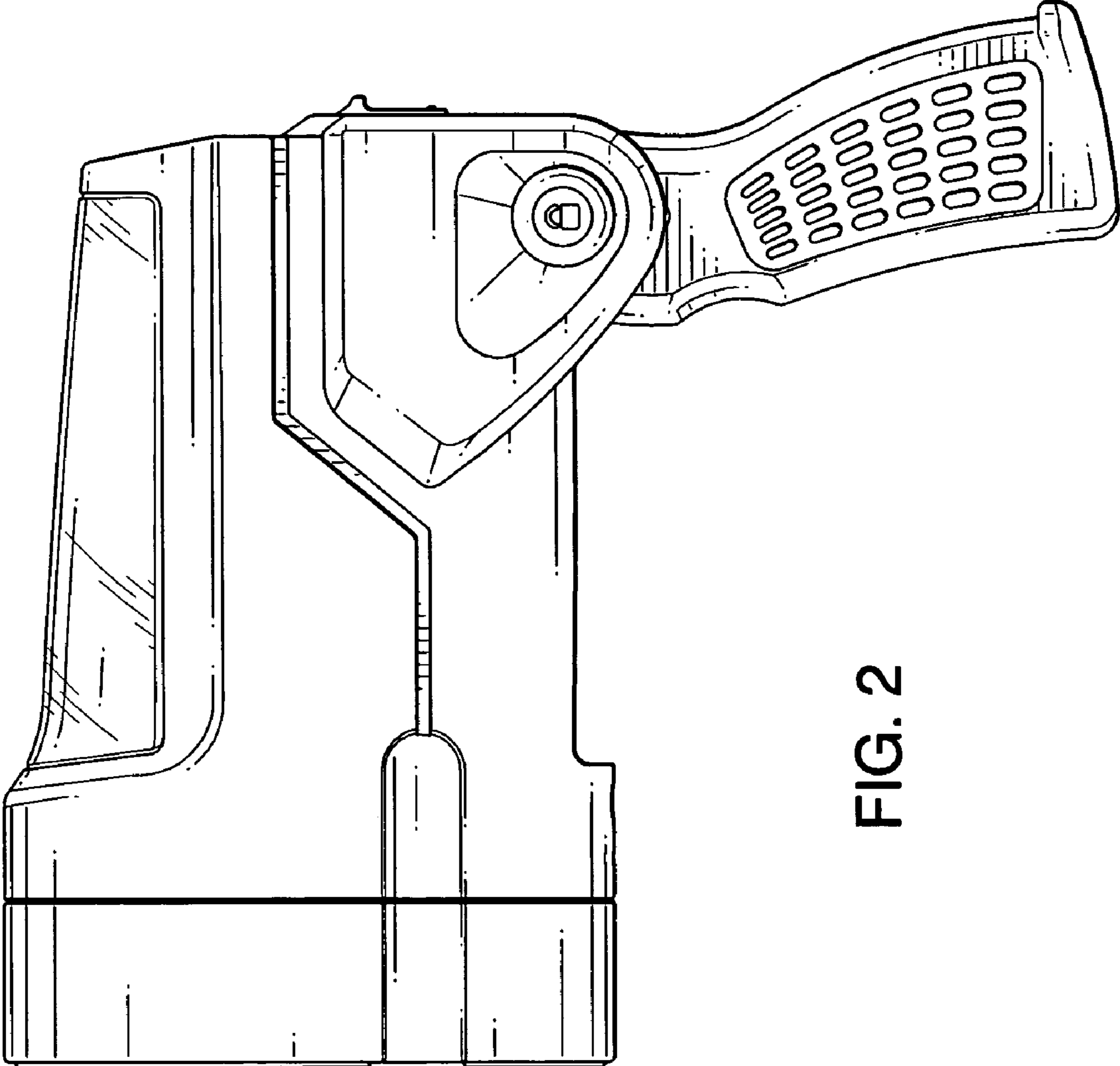


FIG. 2

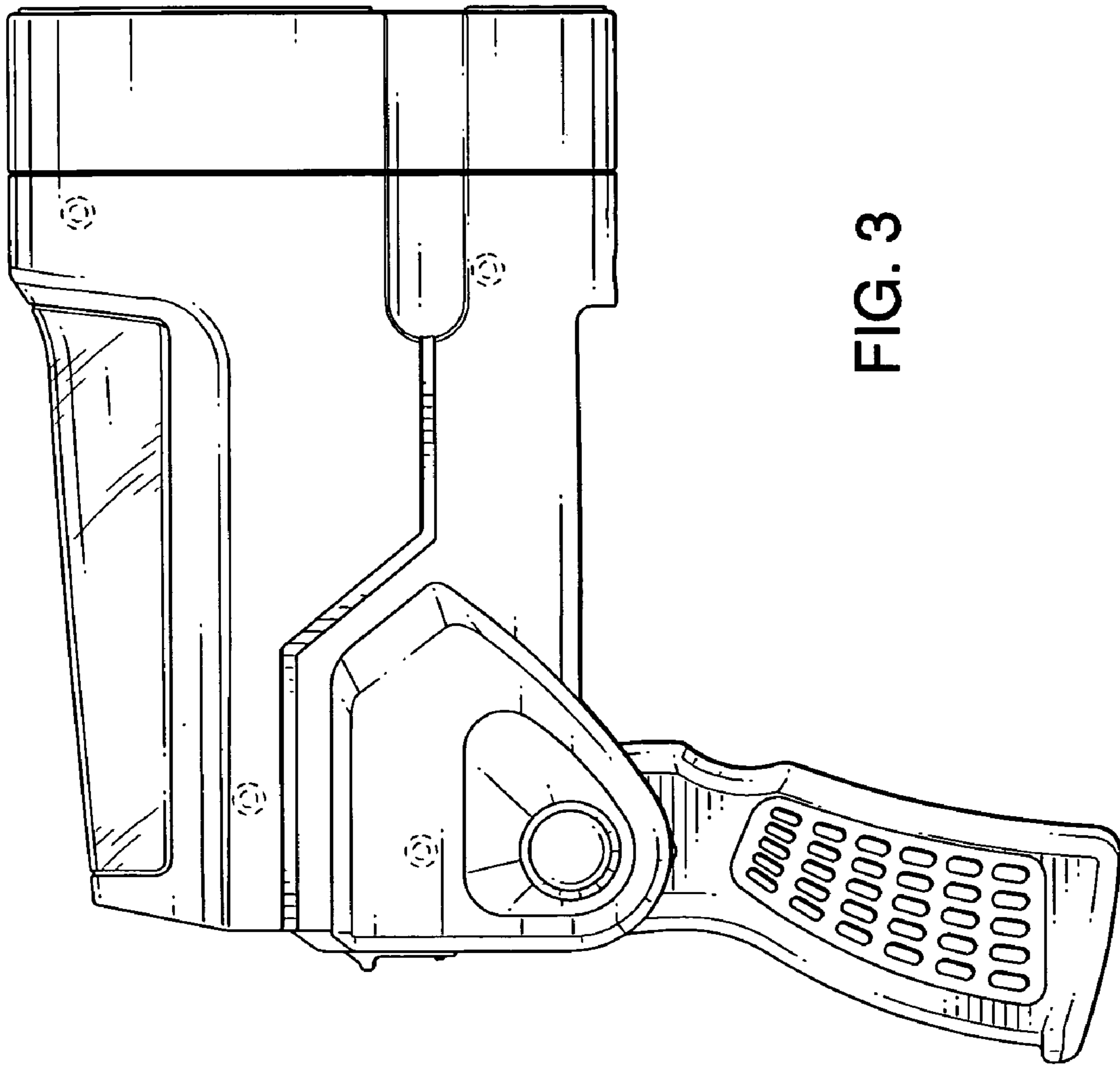


FIG. 3

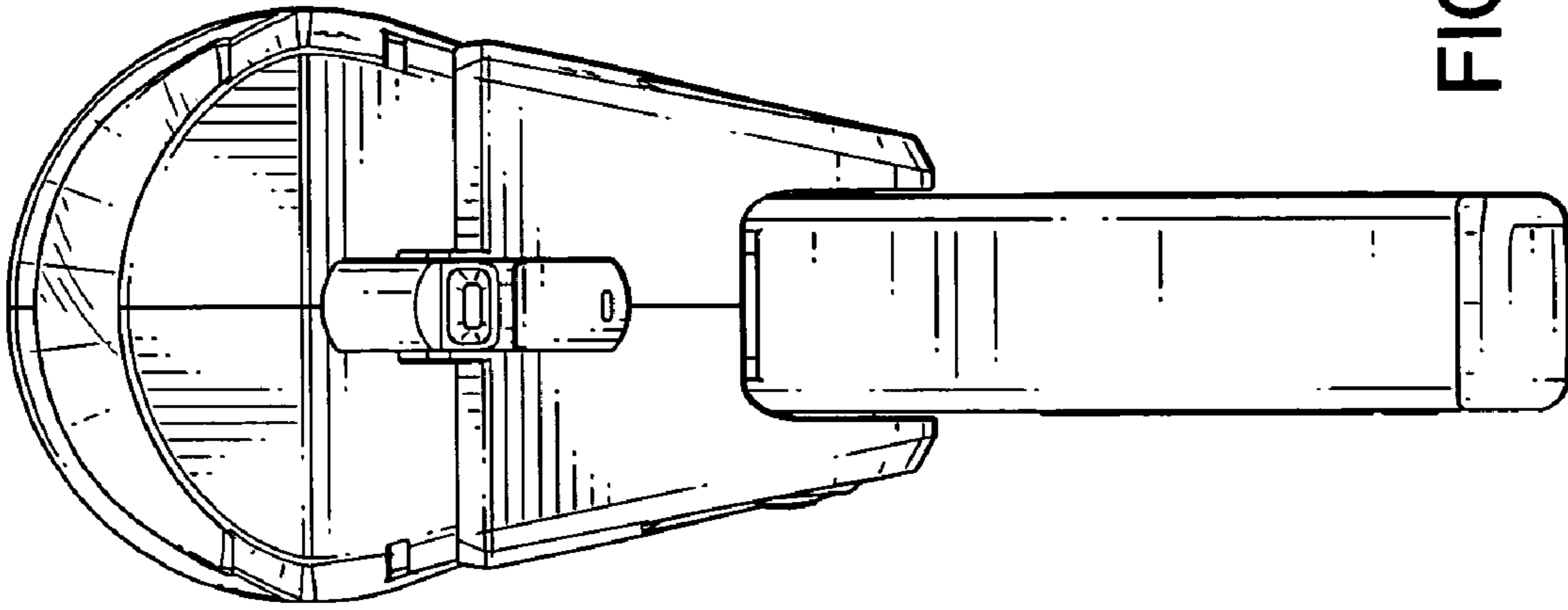


FIG. 5

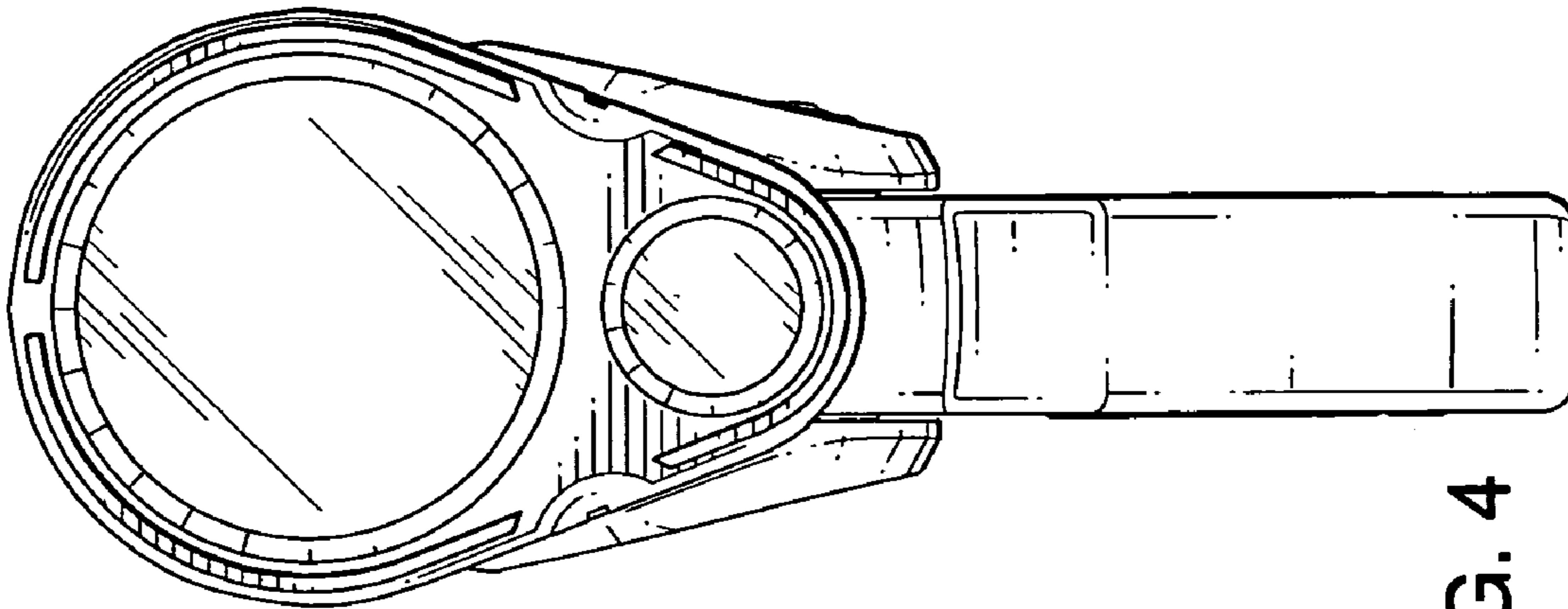


FIG. 4

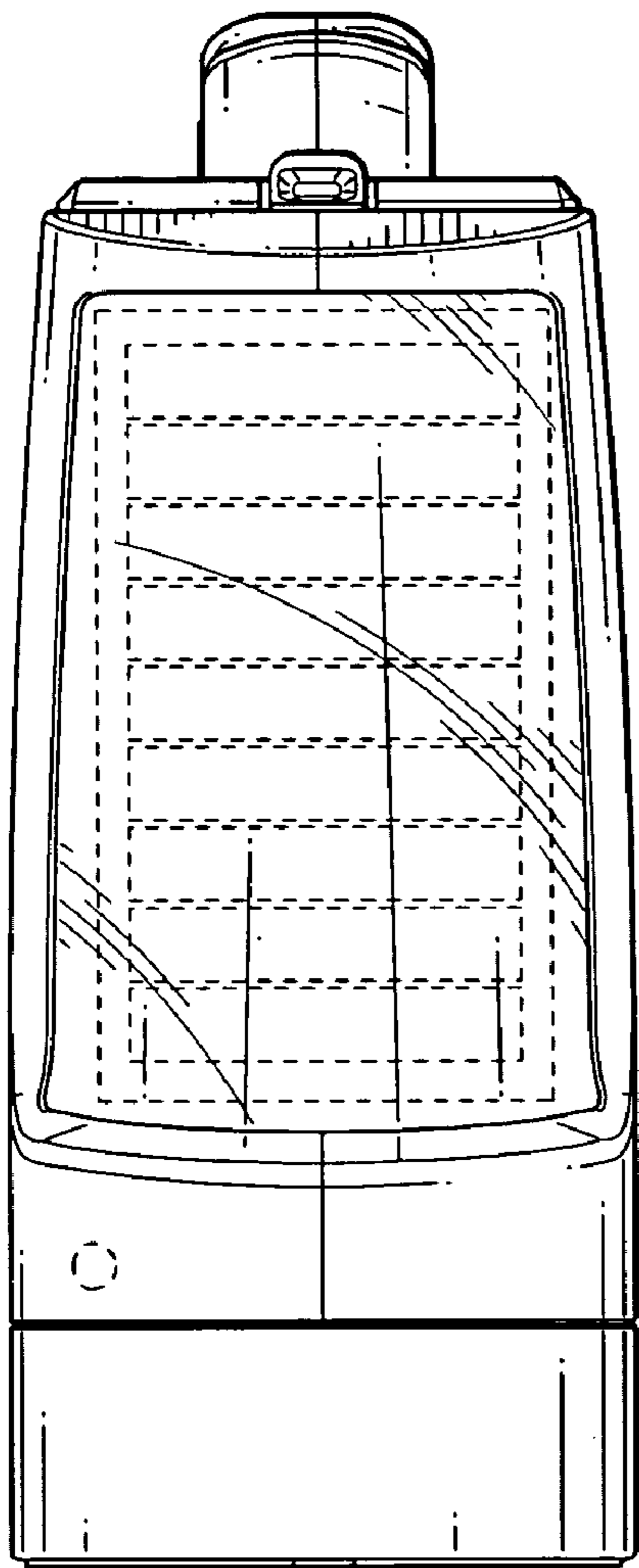


FIG. 6

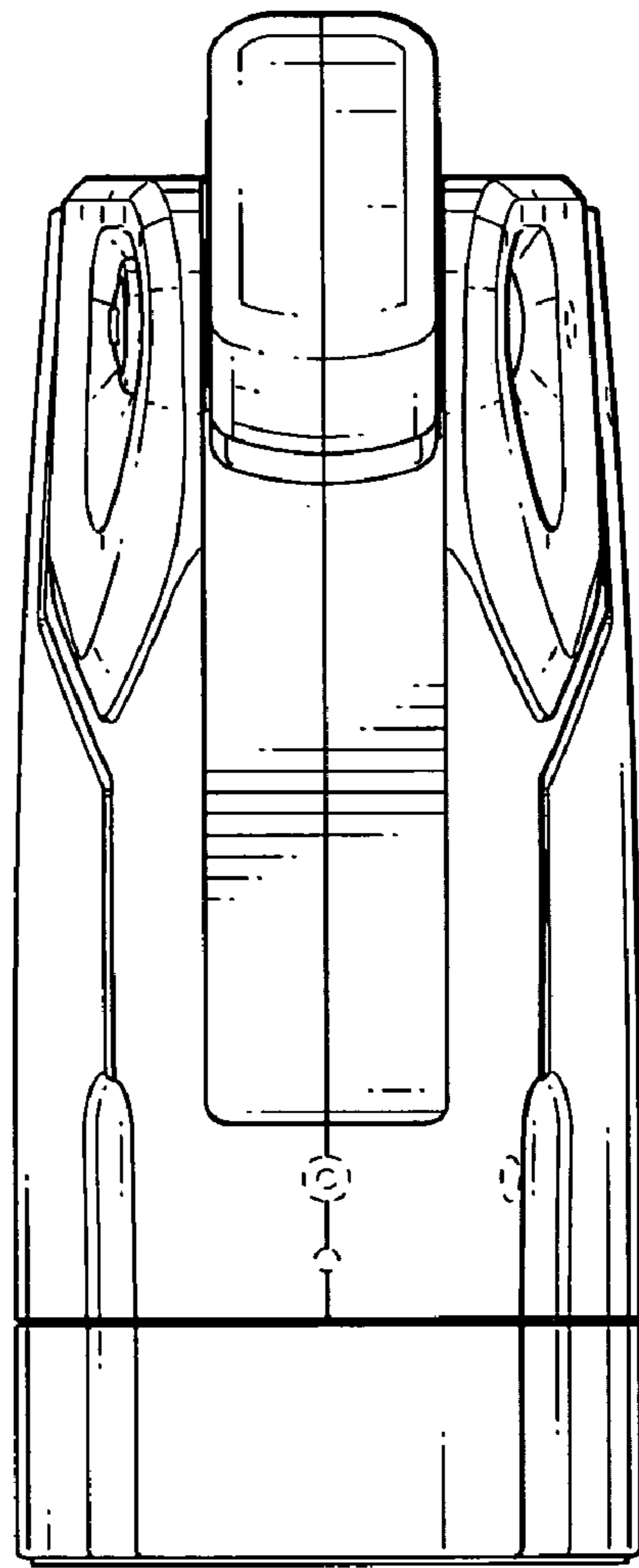


FIG. 7