

US00D567417S

(12) **United States Design Patent**
Wu et al.

(10) **Patent No.:** **US D567,417 S**
(45) **Date of Patent:** **** Apr. 22, 2008**

(54) **CASING FOR A PORTABLE SOLAR POWERED LIGHT**

(75) Inventors: **Xianyi Wu**, Sunnyvale, CA (US); **Erica Estrada**, Palo Alto, CA (US)

(73) Assignee: **d.light design, Inc.**, Mountain View, CA (US)

(**) Term: **14 Years**

(21) Appl. No.: **29/298,164**

(22) Filed: **Nov. 29, 2007**

(51) **LOC (8) Cl.** **26-02**

(52) **U.S. Cl.** **D26/37**

(58) **Field of Classification Search** D26/37-50;
362/157, 158, 171-174, 183-208
See application file for complete search history.

(56) **References Cited**

U.S. PATENT DOCUMENTS

D448,873 S	*	10/2001	Dalton et al.	D26/37
D524,962 S	*	7/2006	Farmer	D26/37
D536,811 S	*	2/2007	Stekelenburg	D26/37

* cited by examiner

Primary Examiner—Marcus A. Jackson
(74) *Attorney, Agent, or Firm*—Brett Lovejoy

(57) **CLAIM**

The ornamental design for a casing for a portable solar powered light, as shown and described.

DESCRIPTION

FIG. 1 is a front perspective view of an ornamental design for a casing for a portable solar powered light according to the present invention;

FIG. 2 is a back perspective view thereof;

FIG. 3 is a front view thereof;

FIG. 4 is a back view thereof;

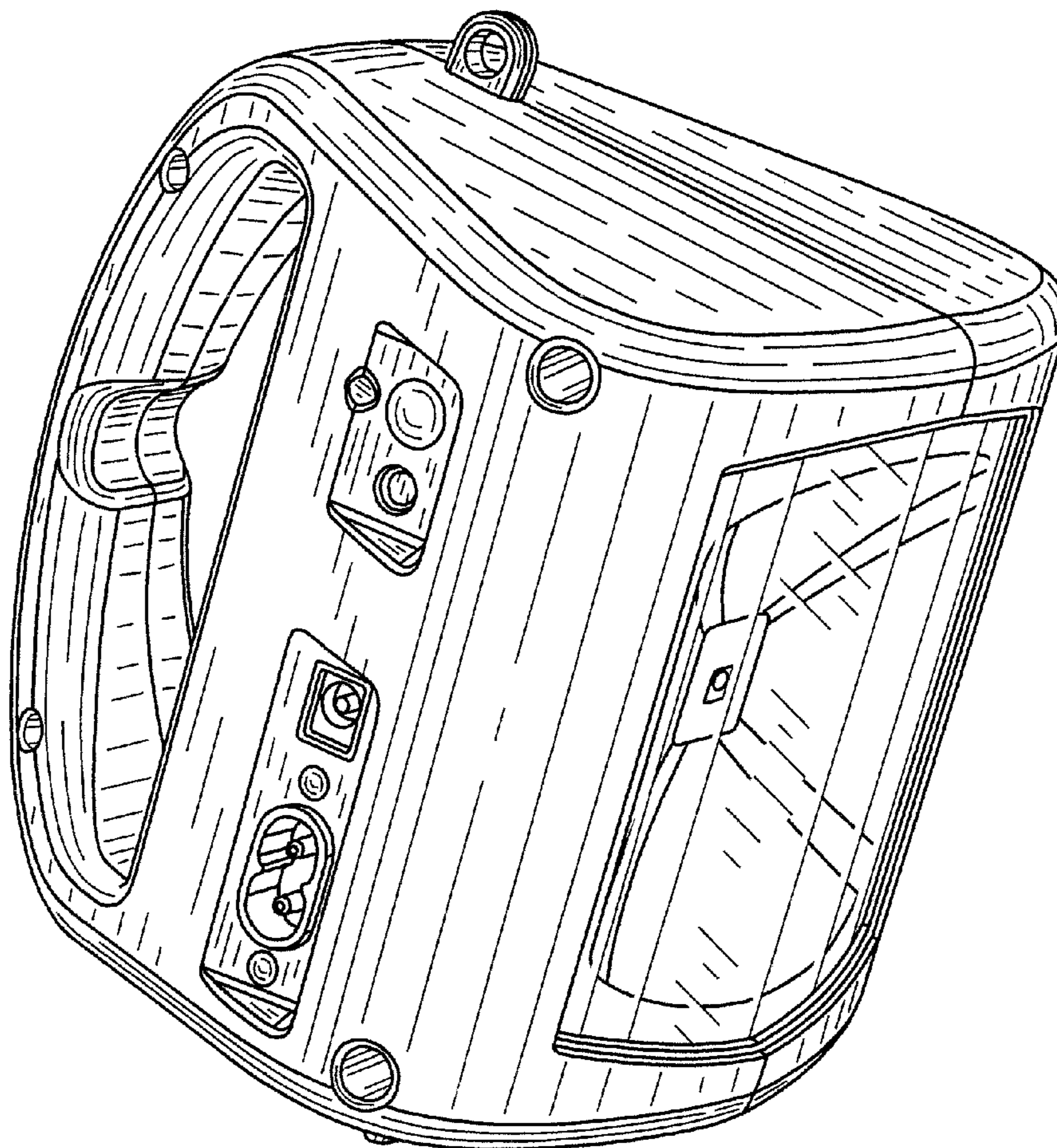
FIG. 5 is a first side view thereof;

FIG. 6 is a second side view thereof;

FIG. 7 is a third side view thereof; and,

FIG. 8 is a fourth side view thereof.

1 Claim, 8 Drawing Sheets



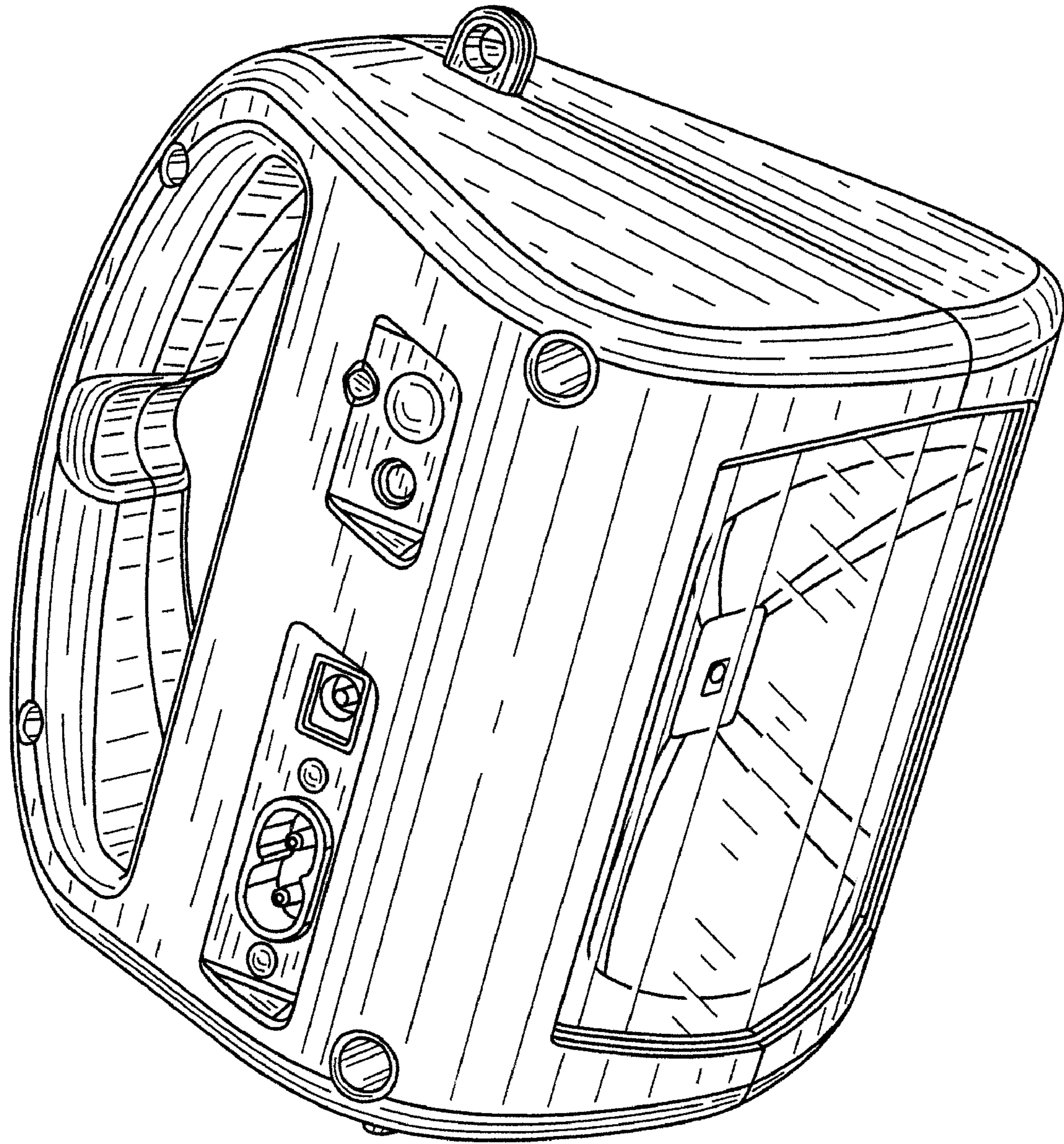


FIG. 1

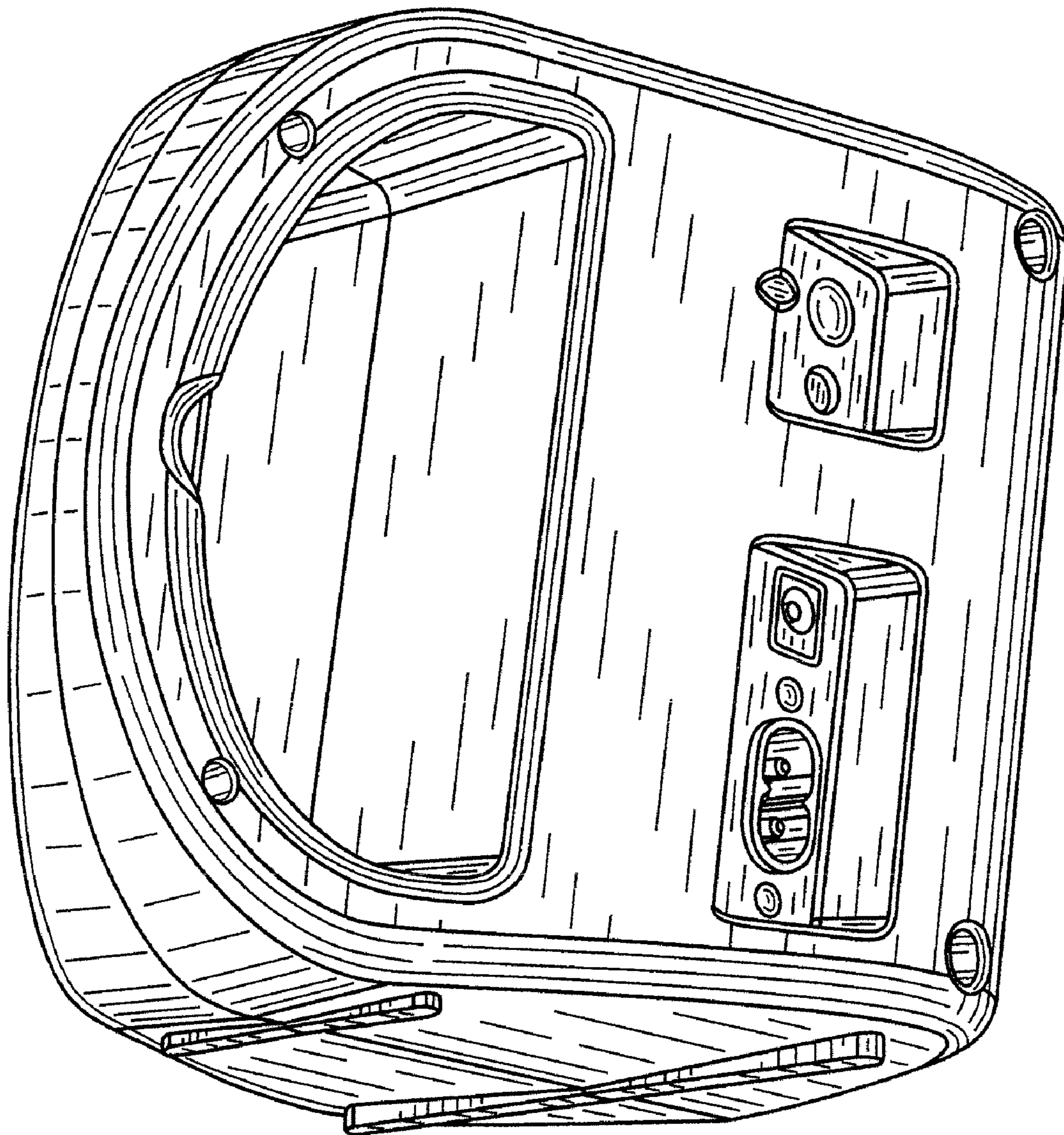


FIG. 2

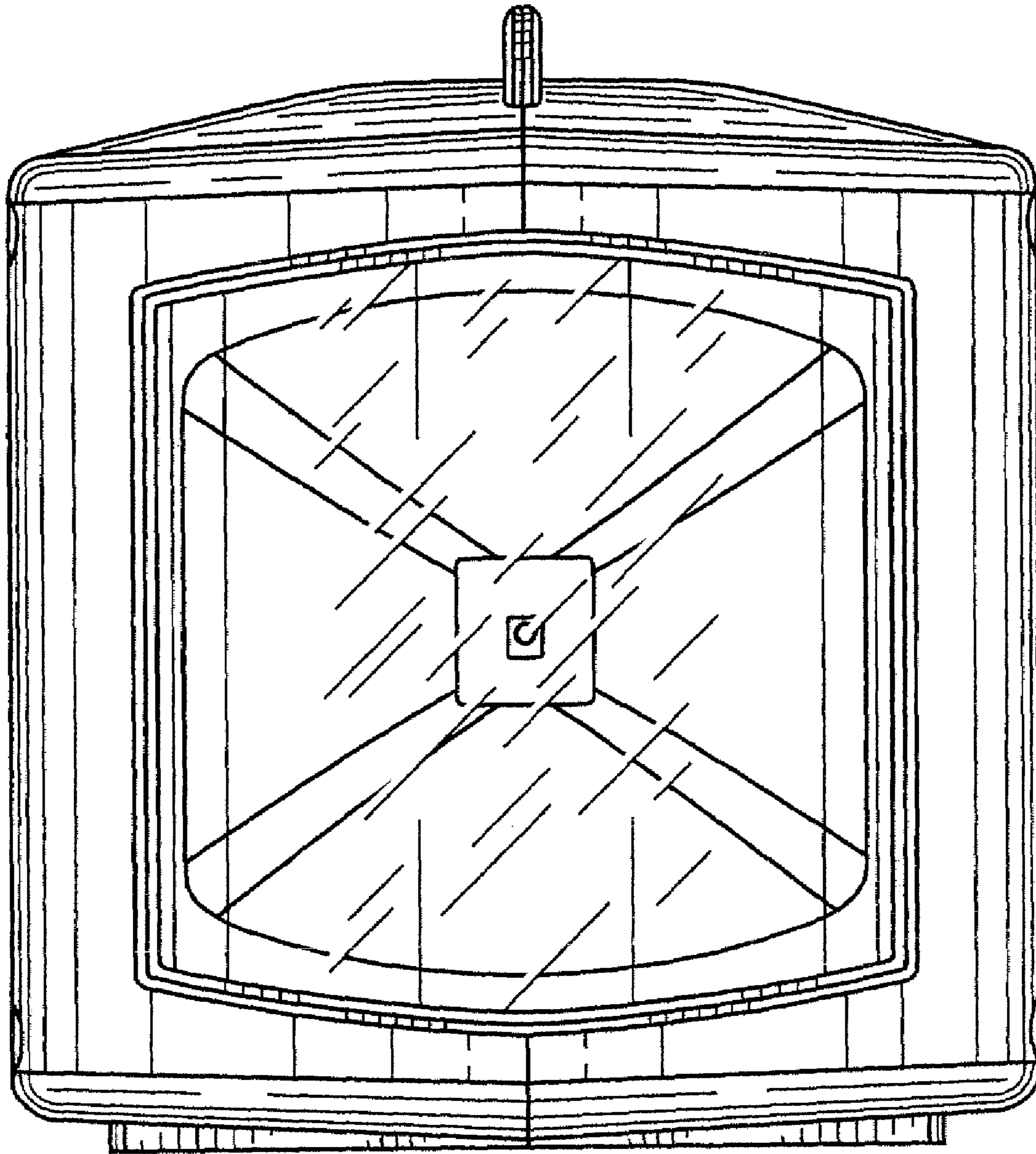


FIG. 3

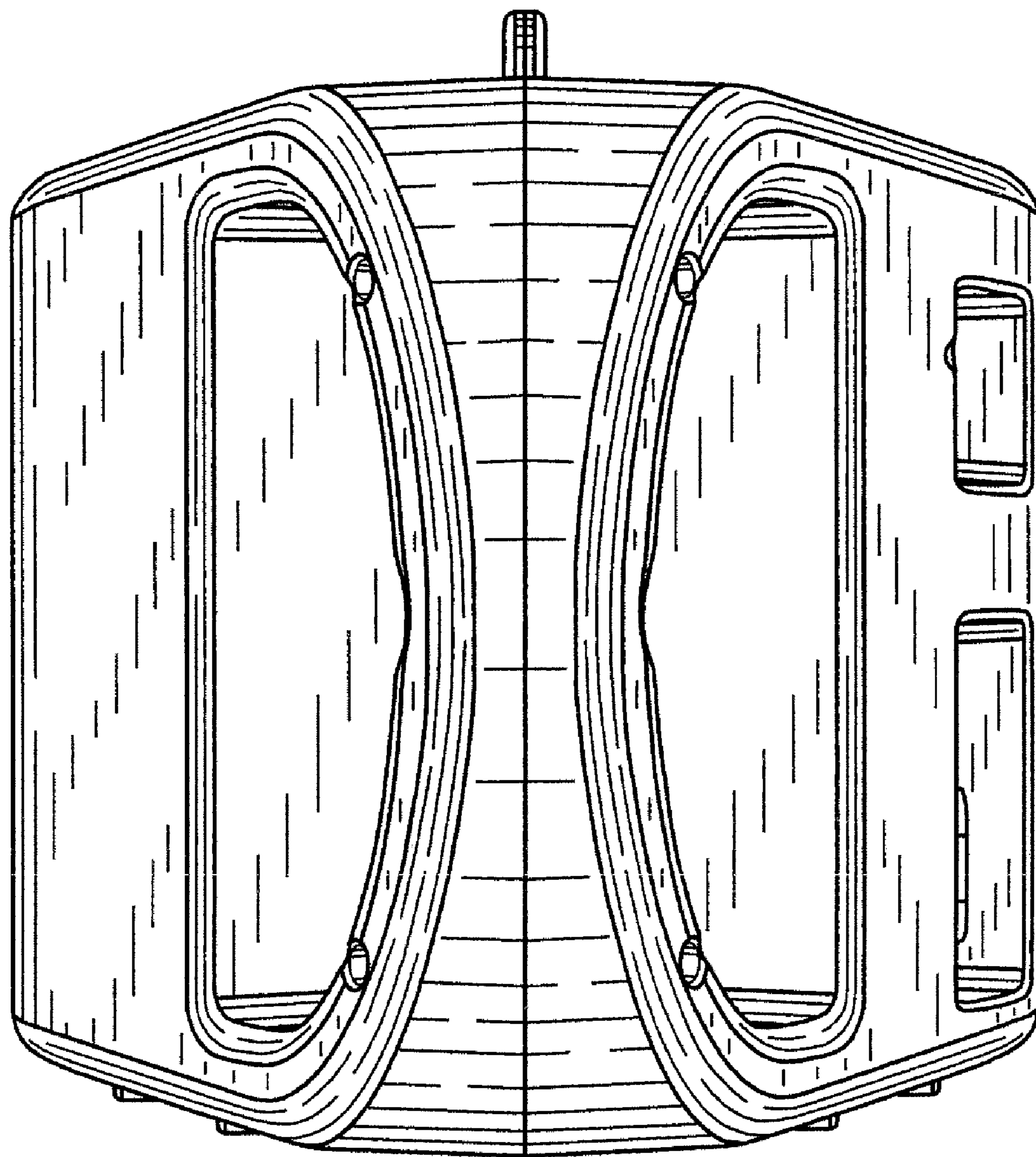


FIG. 4

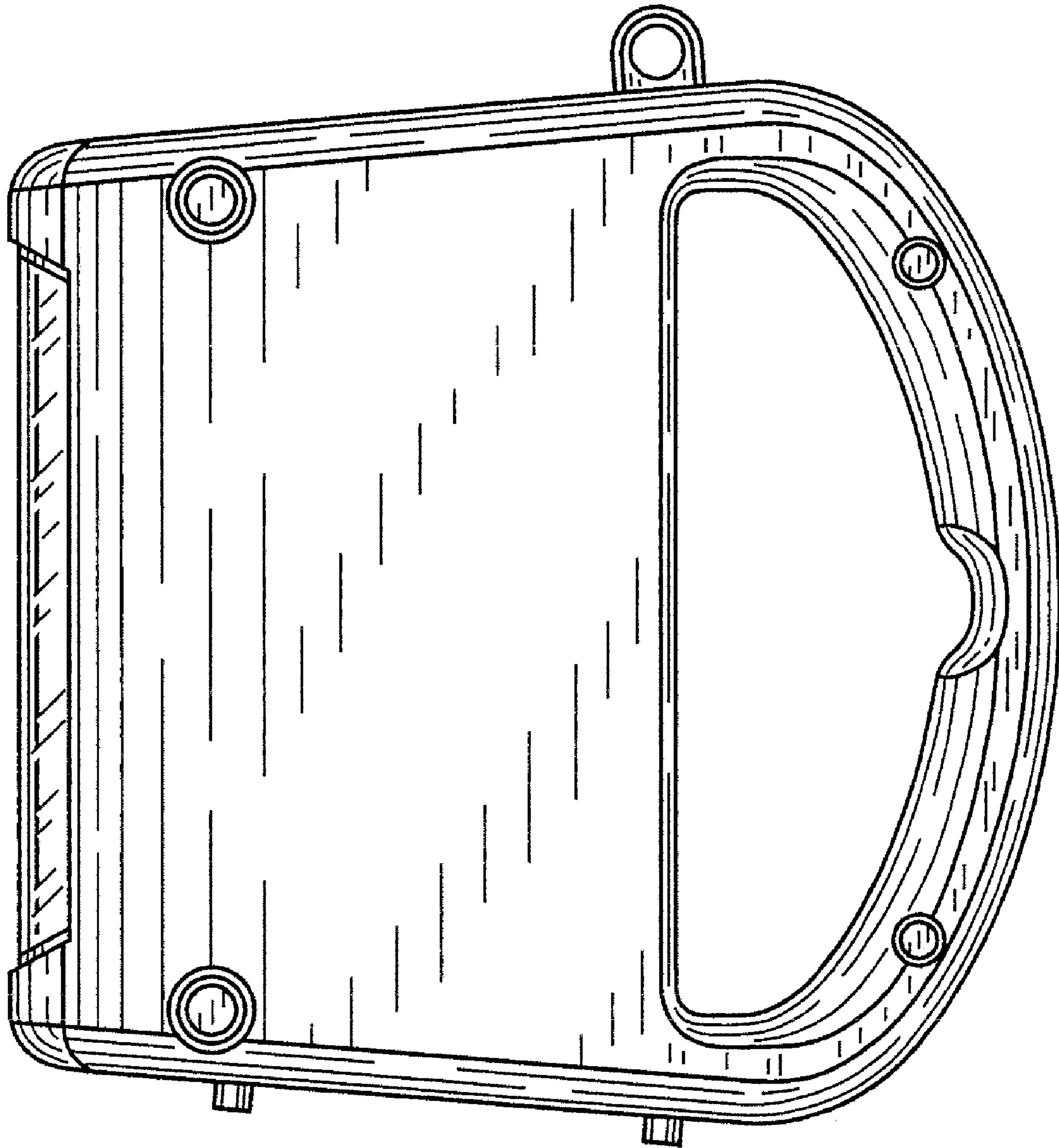


FIG. 5

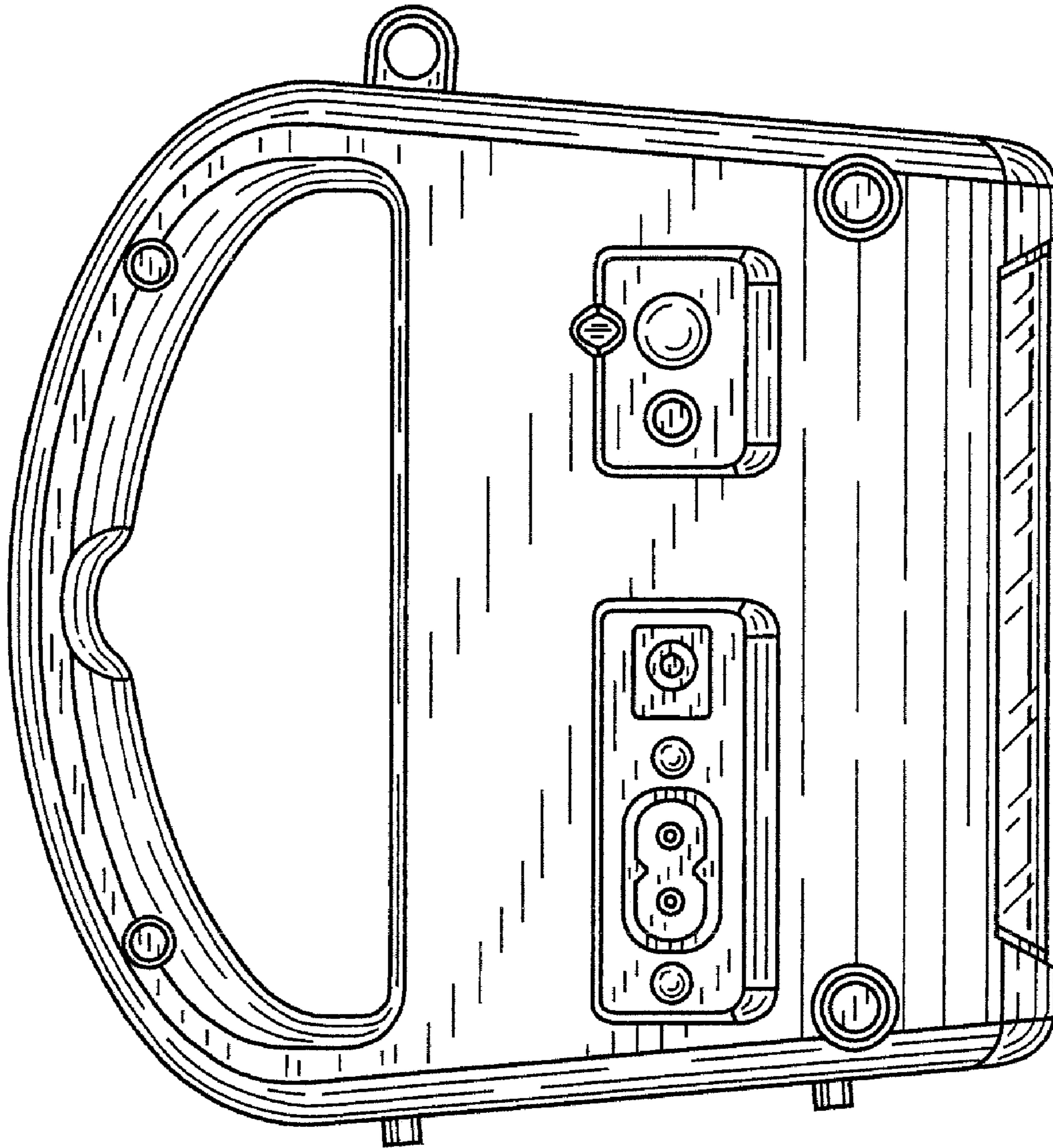


FIG. 6

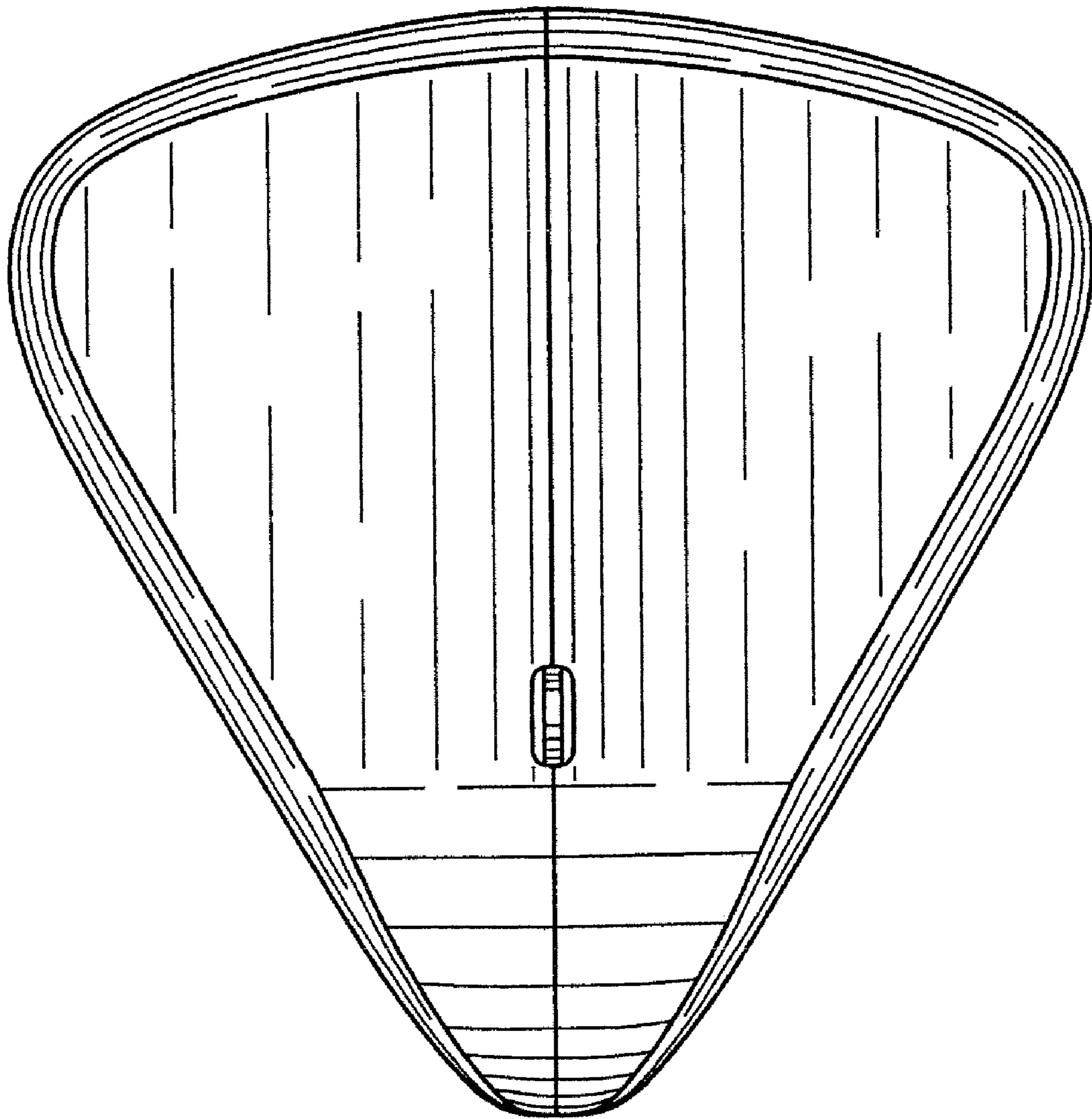


FIG. 7

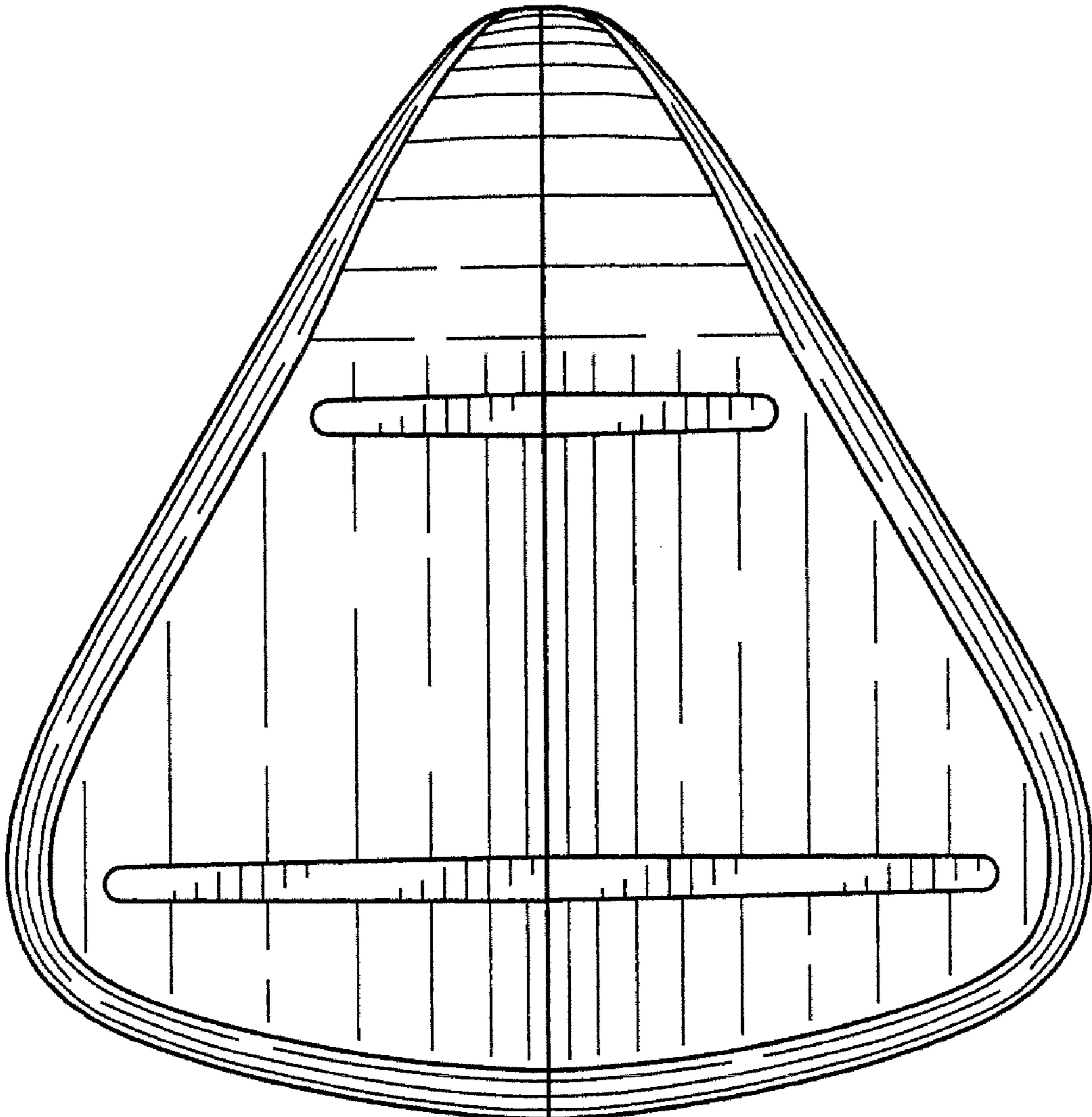


FIG. 8