



US00D567414S

(12) **United States Design Patent**
Schnell

(10) **Patent No.:** **US D567,414 S**

(45) **Date of Patent:** **** Apr. 22, 2008**

(54) **MAGNIFIER BOOKLIGHT**

(75) Inventor: **Tim Schnell**, Rancho Santa Fe, CA
(US)

(73) Assignee: **IP Holdings, Inc.**, Grand Prairie, TX
(US)

(**) Term: **14 Years**

(21) Appl. No.: **29/283,279**

(22) Filed: **Aug. 9, 2007**

(51) **LOC (8) Cl.** **26-02**

(52) **U.S. Cl.** **D26/37**

(58) **Field of Classification Search** D26/37-50;
362/157, 158, 171-174, 183-208
See application file for complete search history.

(56) **References Cited**

U.S. PATENT DOCUMENTS

D535,416 S *	1/2007	O'Dell	D26/37
D542,453 S *	5/2007	Osiecki et al.	D26/60
D544,618 S *	6/2007	Coushaine	D26/37
D552,277 S *	10/2007	Chue	D26/37

* cited by examiner

Primary Examiner—Marcus A. Jackson

(74) *Attorney, Agent, or Firm*—Schwegman, Lundberg & Woessner, P.A.

(57) **CLAIM**

The ornamental design for a magnifier booklight, as shown and described.

DESCRIPTION

FIG. 1 is a perspective view of a magnifier booklight in an open position, incorporating the new design;

FIG. 2 is a top view of the magnifier booklight of FIG. 1;

FIG. 3 is a bottom view of the magnifier booklight of FIG. 1;

FIG. 4 is a left side view of the magnifier booklight of FIG. 1;

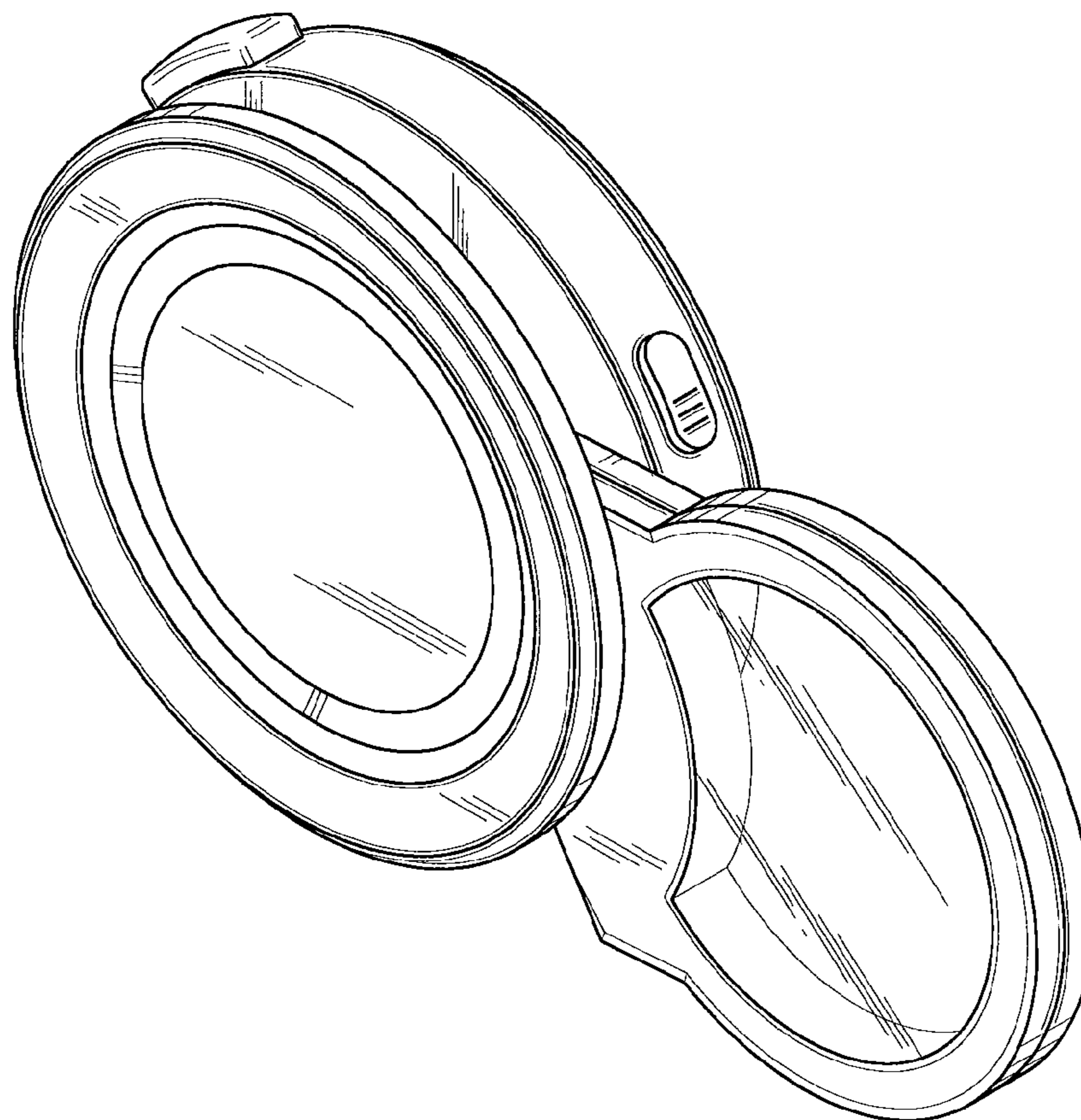
FIG. 5 is a right side view of the magnifier booklight of FIG. 1;

FIG. 6 is a left side of the magnifier booklight in a closed position;

FIG. 7 is a right side of the magnifier booklight in a closed position; and,

FIG. 8 is a perspective view of a magnifier booklight in a closed position.

1 Claim, 5 Drawing Sheets



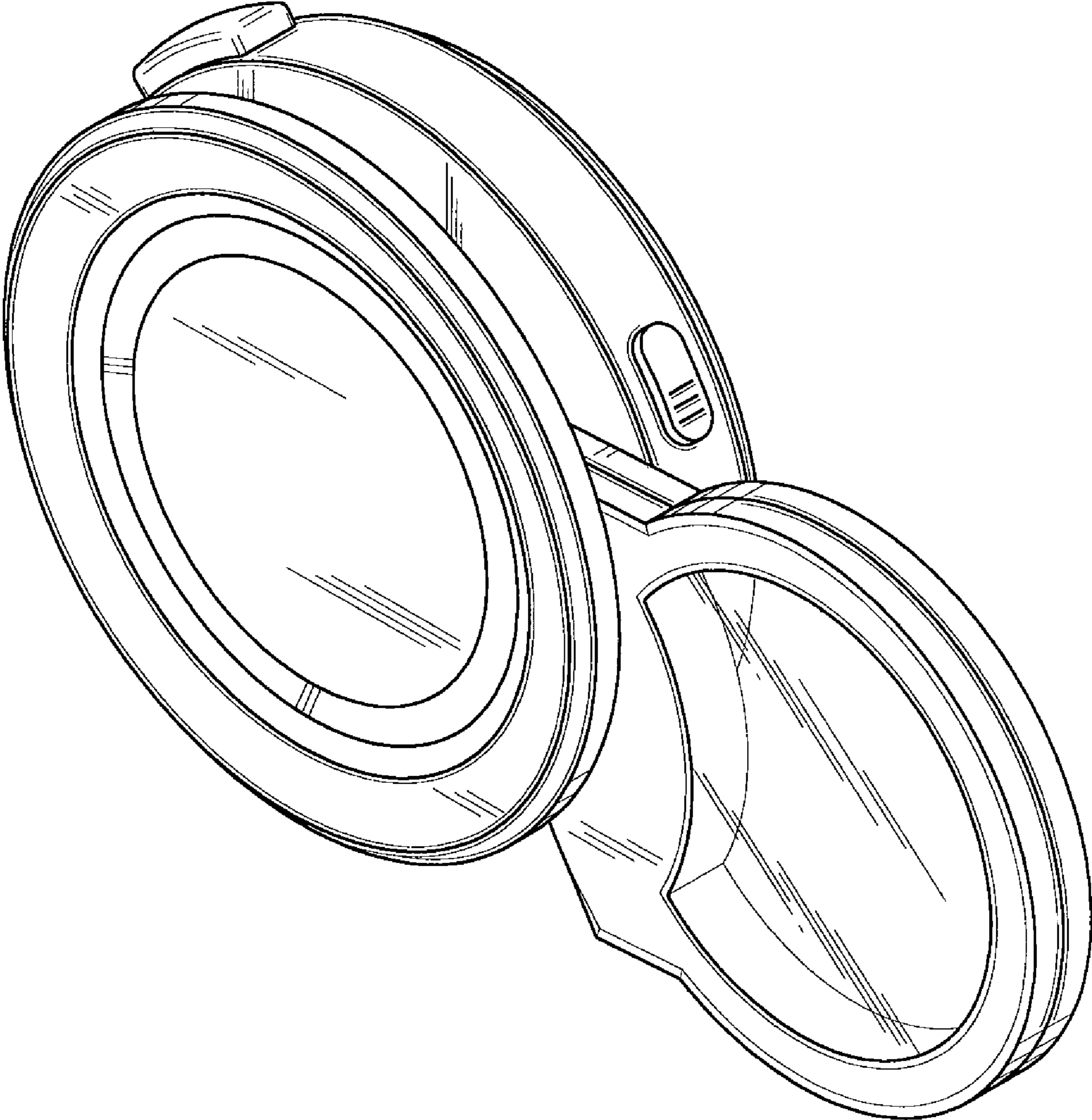


FIG. 1

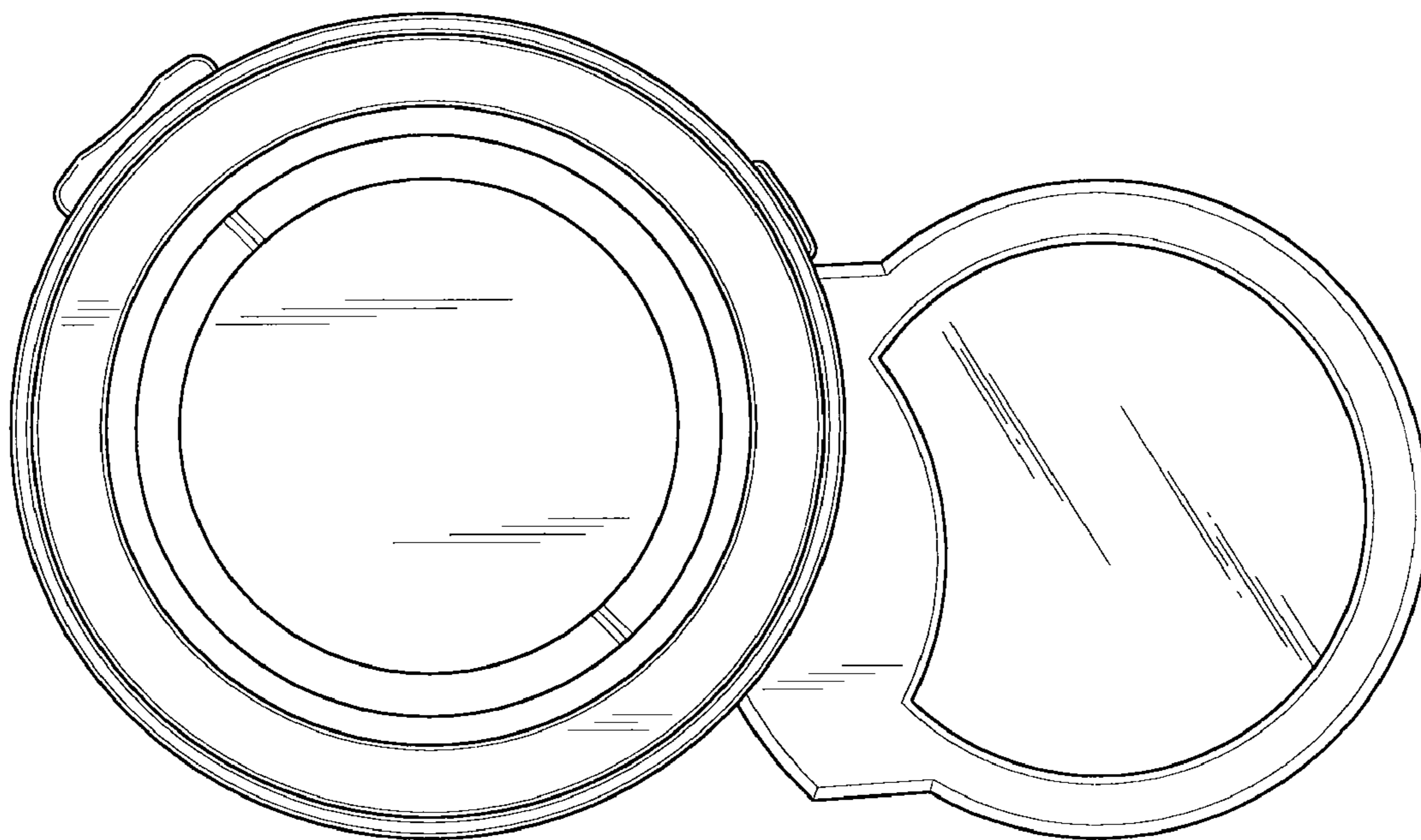


FIG. 2

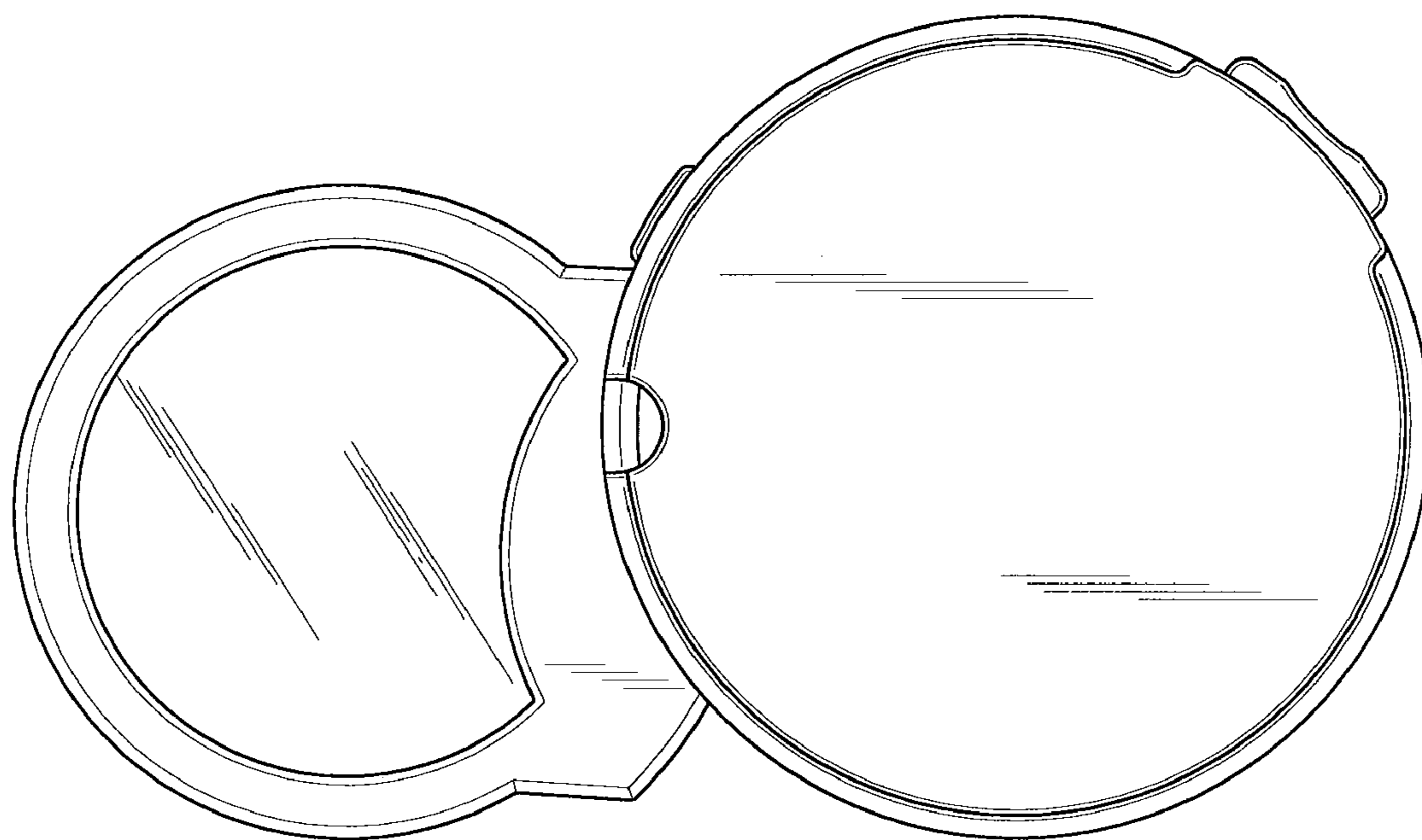


FIG. 3

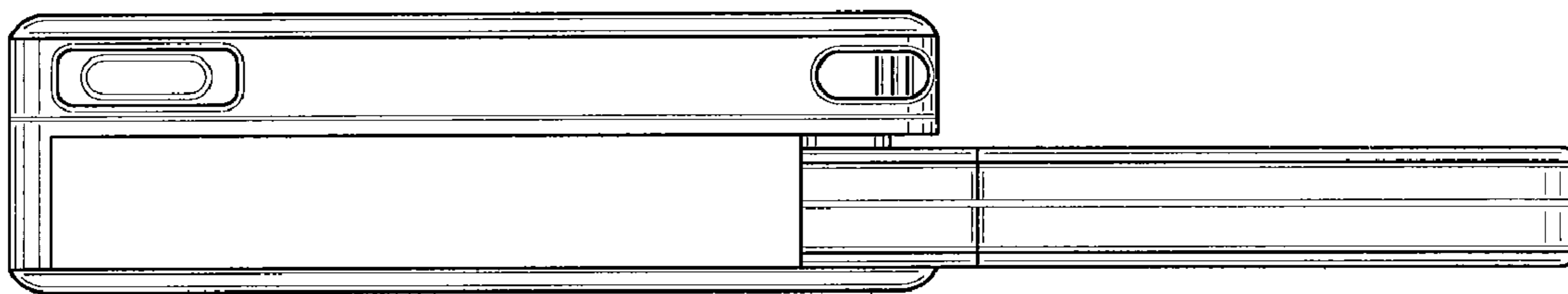


FIG. 4

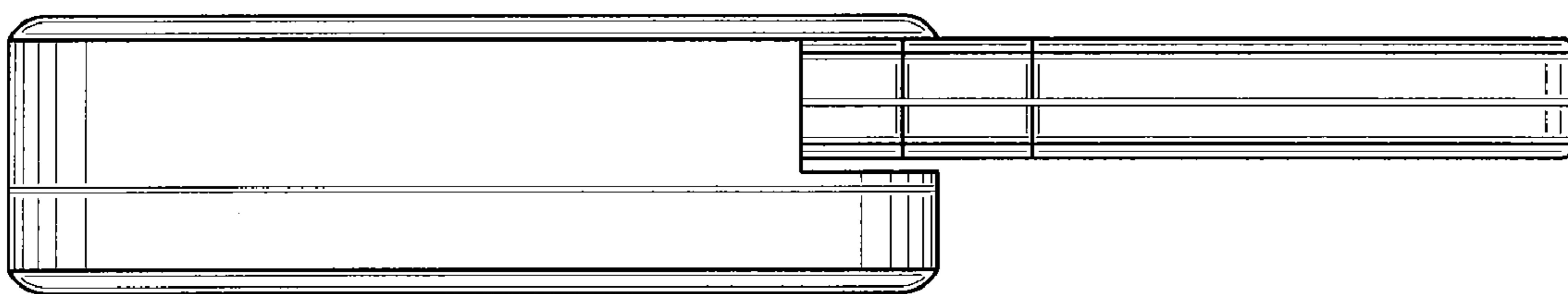


FIG. 5

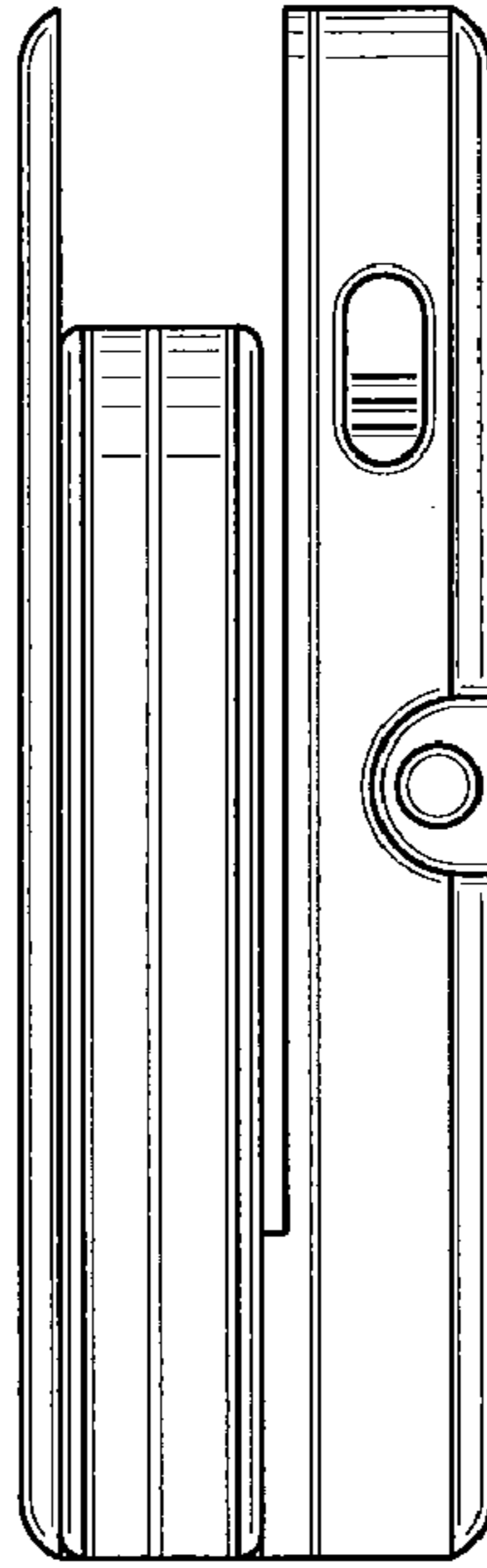


FIG. 6

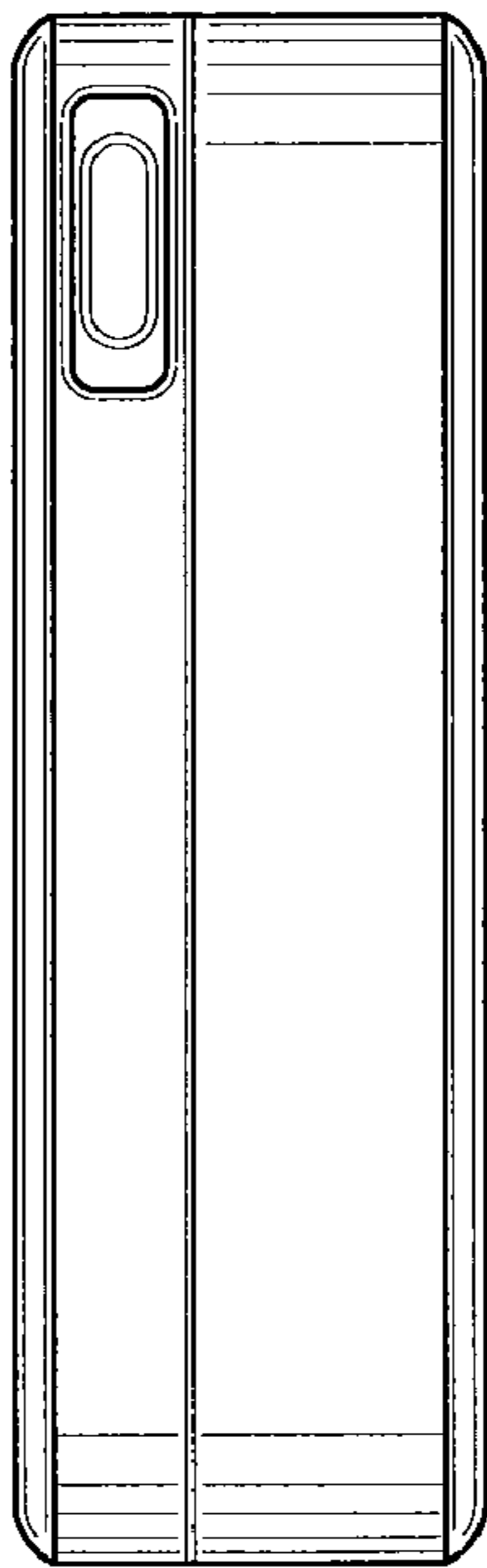


FIG. 7

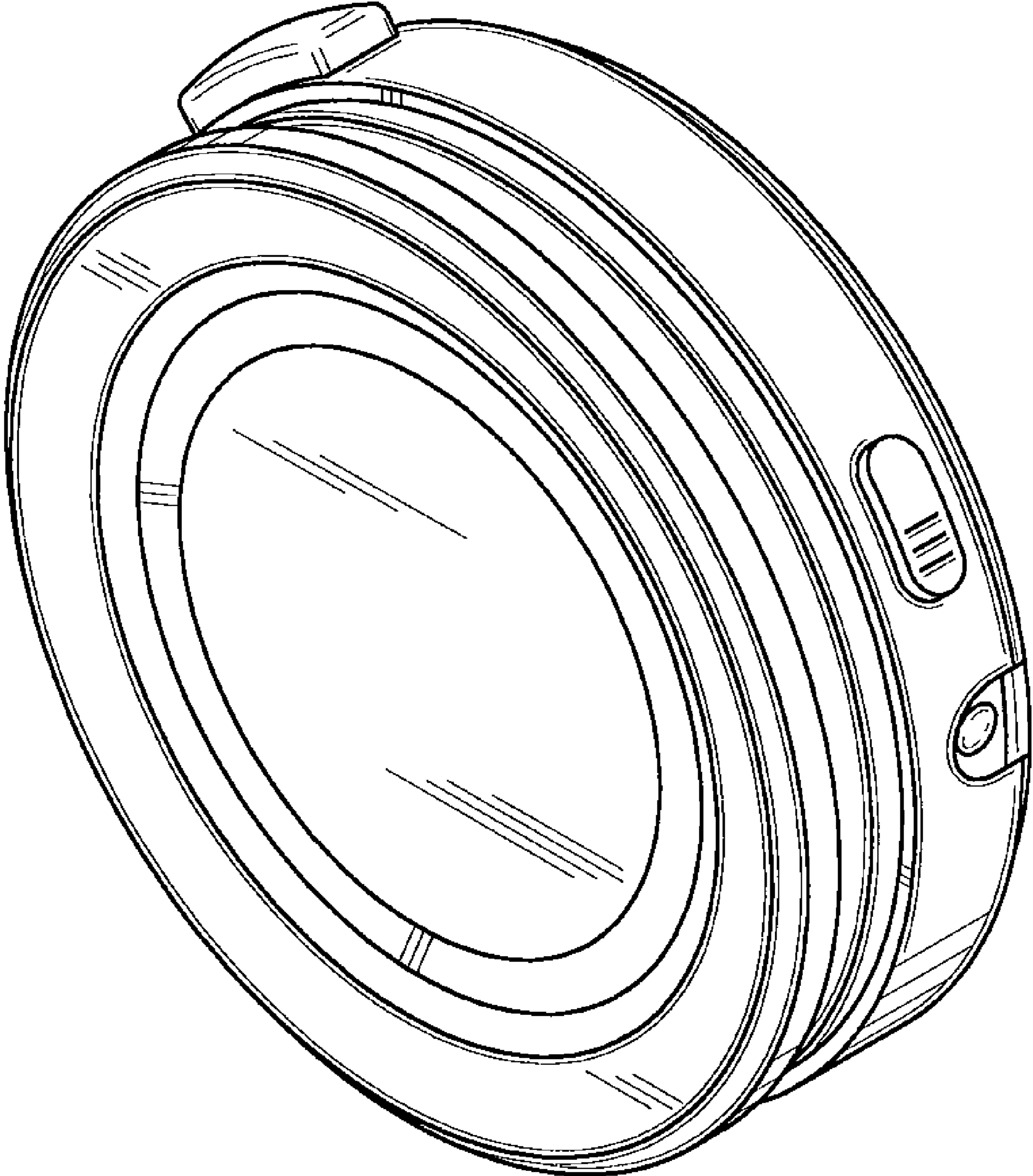


FIG. 8