

US00D567410S

(12) **United States Design Patent**
Gale et al.

(10) **Patent No.:** **US D567,410 S**

(45) **Date of Patent:** **** Apr. 22, 2008**

(54) **VEHICLE TAIL LAMP**

D552,273 S * 10/2007 Gresens et al. D26/28
D553,269 S * 10/2007 Pfeiffer et al. D26/28

(75) Inventors: **Jeffrey C Gale**, Rochester, MI (US);
Timothy W Anness, Rochester Hills,
MI (US); **John G Opfer**, Rochester, MI
(US)

* cited by examiner

Primary Examiner—Marcus A. Jackson
(74) *Attorney, Agent, or Firm*—Ralph E. Smith

(73) Assignee: **Chrysler LLC**, Auburn Hills, MI (US)

(57) **CLAIM**

(**) Term: **14 Years**

The ornamental design for a vehicle tail lamp, as shown and described.

(21) Appl. No.: **29/296,198**

(22) Filed: **Oct. 16, 2007**

DESCRIPTION

Related U.S. Application Data

(63) Continuation-in-part of application No. 29/249,265,
filed on Sep. 29, 2006.

FIG. 1 is a front perspective view of a vehicle tail lamp (as viewed from the rear of a vehicle) showing our new design;

FIG. 2 is a rear perspective view thereof;

FIG. 3 is a front view thereof;

FIG. 4 is a rear view thereof;

FIG. 5 is a right side view thereof;

FIG. 6 is a left side view thereof;

FIG. 7 is a top plan view thereof; and,

FIG. 8 is a bottom plan view thereof.

(51) **LOC (8) Cl.** **26-06**

(52) **U.S. Cl.** **D26/28**

(58) **Field of Classification Search** D26/28-36;
362/459-468, 475-478, 485-487
See application file for complete search history.

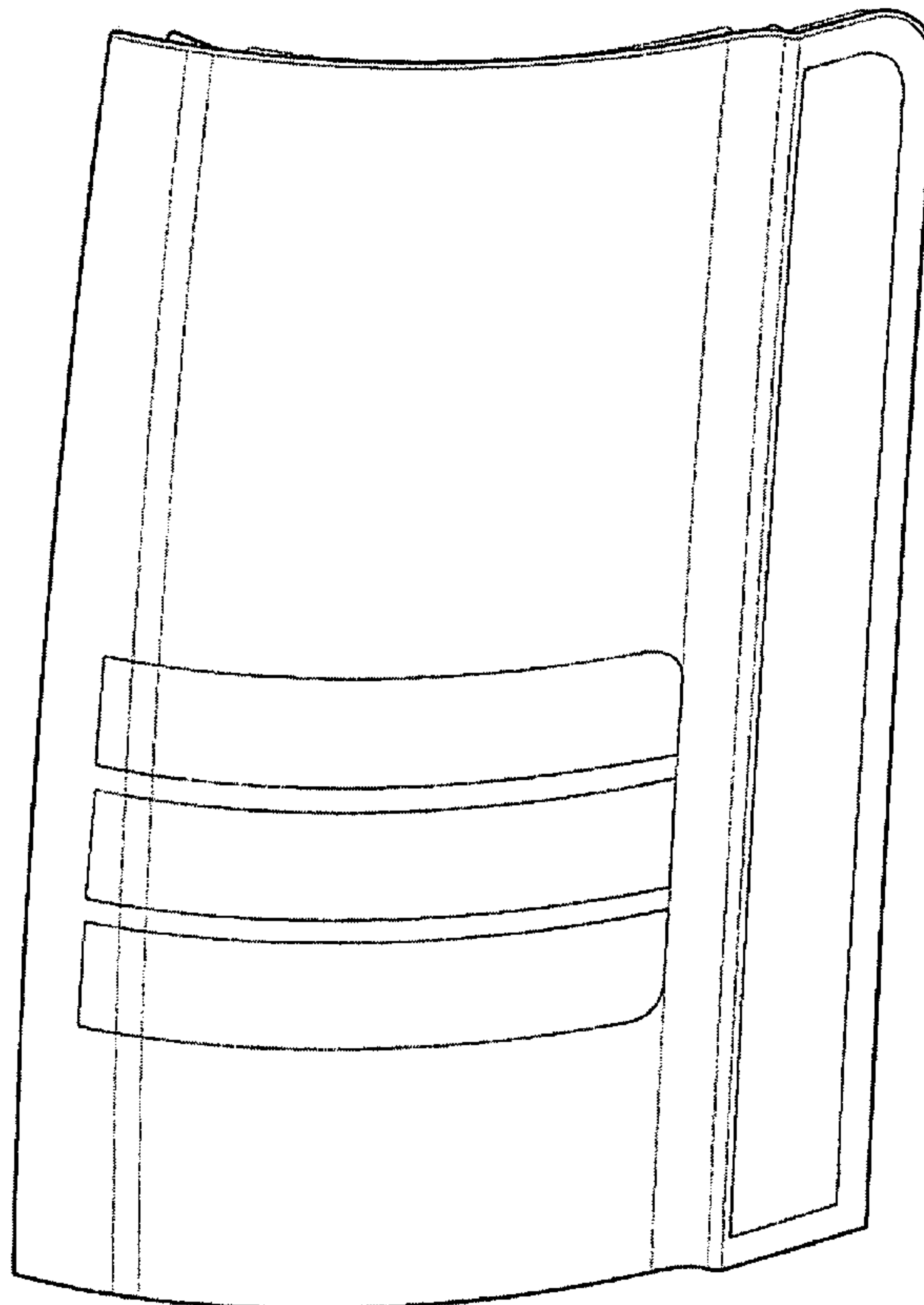
It will be understood that the broken lines presented in the drawings are for illustration only, and do not form a part of the claimed design.

(56) **References Cited**

U.S. PATENT DOCUMENTS

D498,013 S * 11/2004 Pfeiffer D26/28
D503,487 S * 3/2005 Papke et al. D26/28
D506,277 S * 6/2005 Ito D26/28

1 Claim, 8 Drawing Sheets



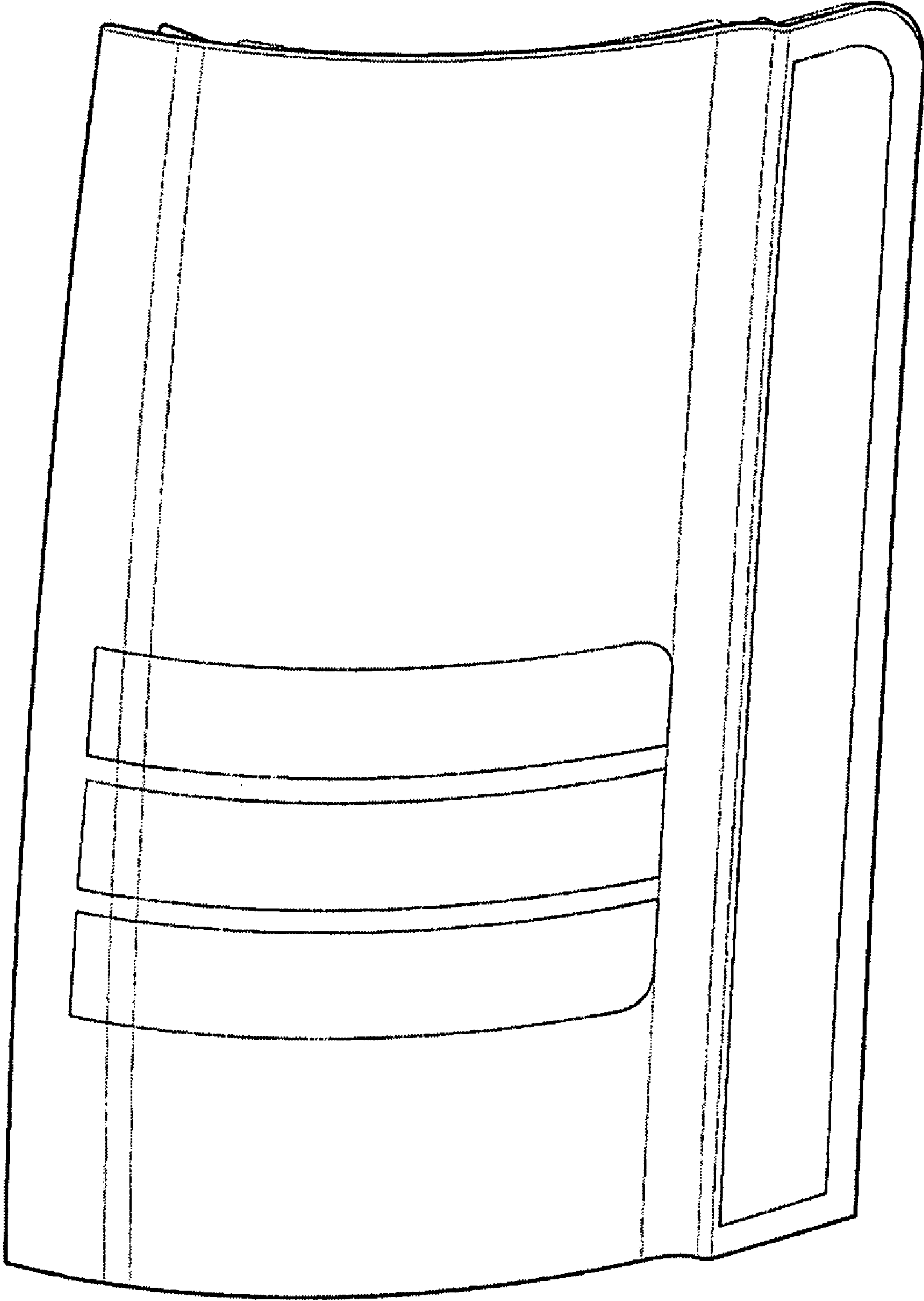


FIG - 1

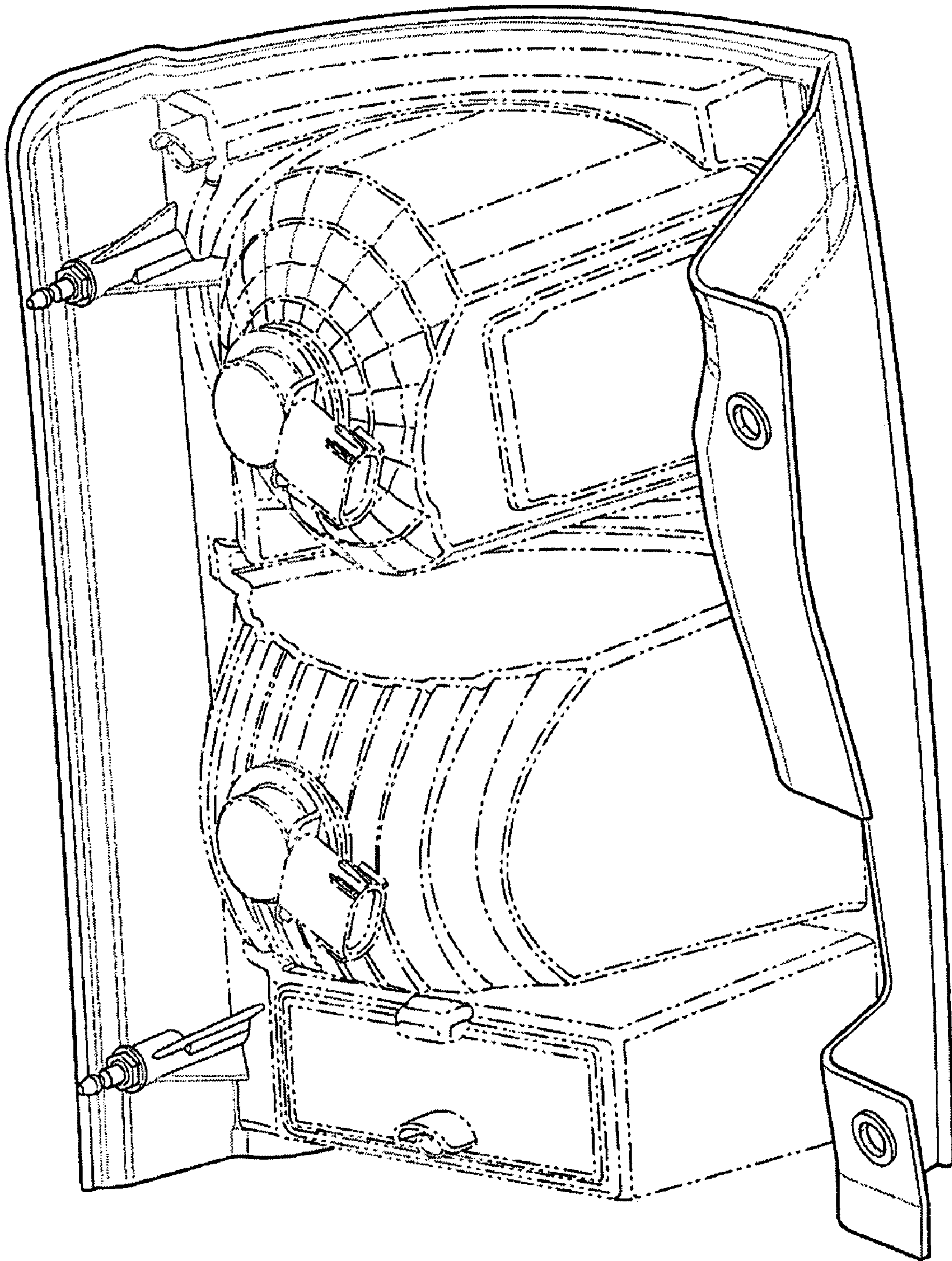


FIG - 2

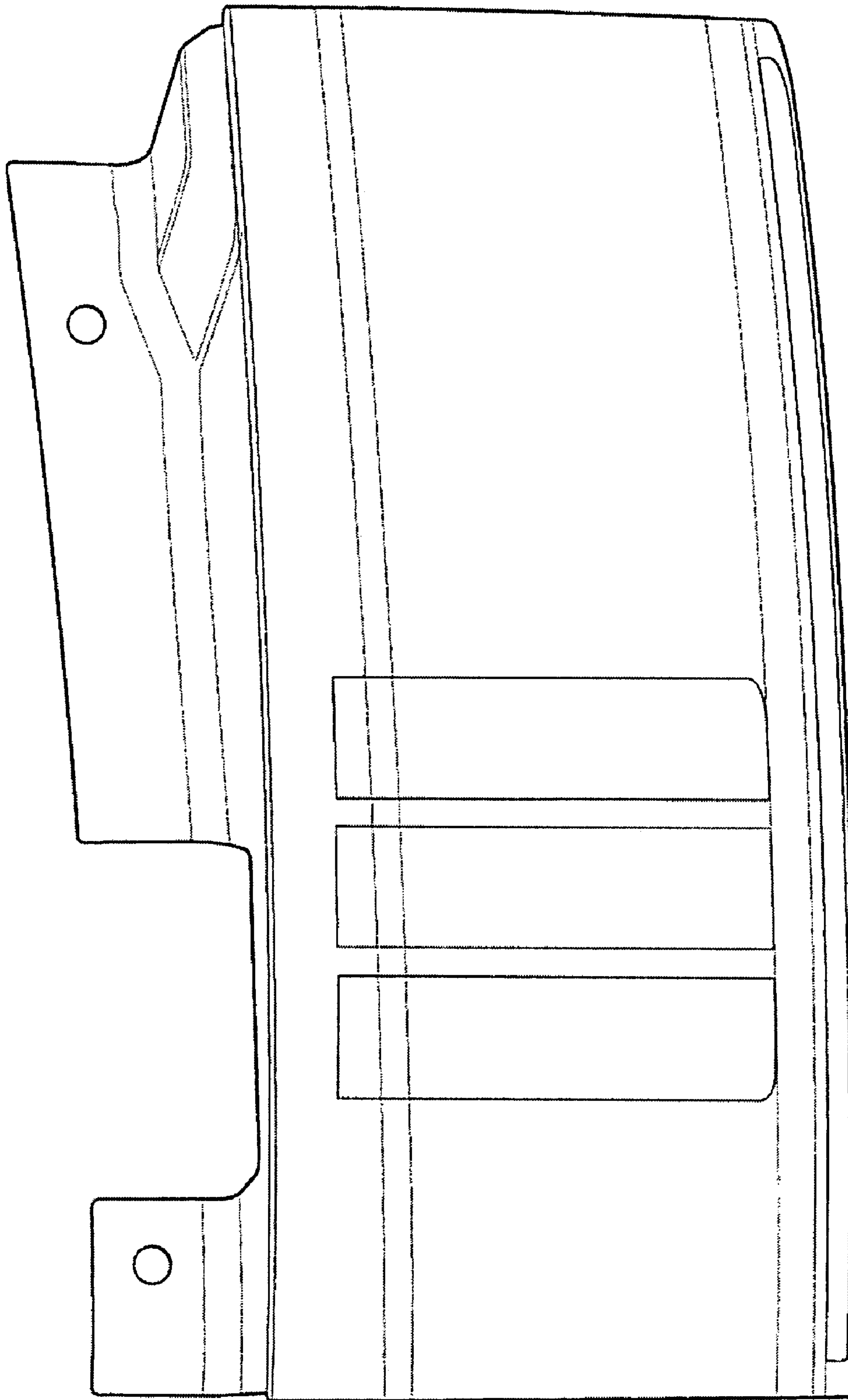


FIG - 3

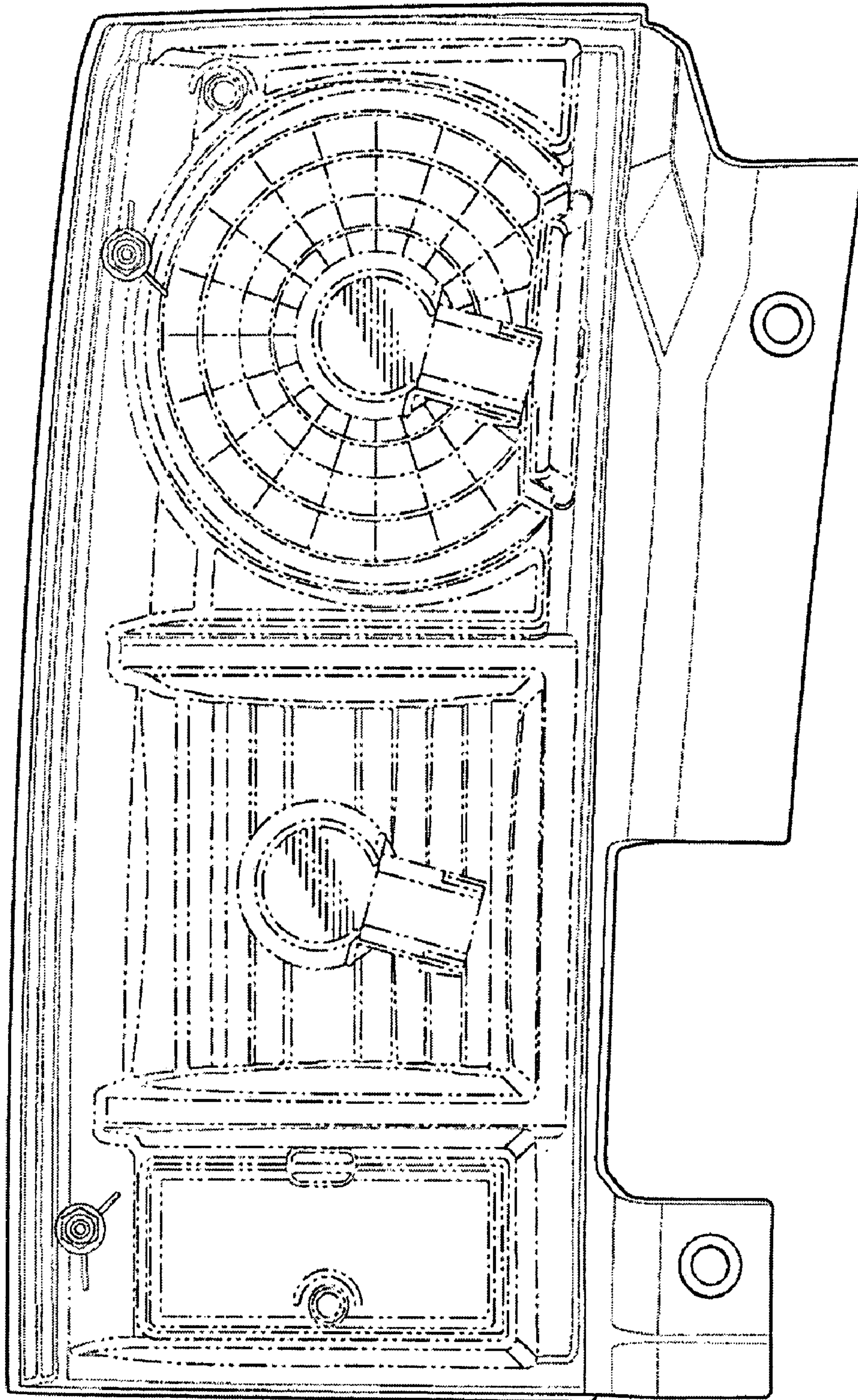


FIG - 4

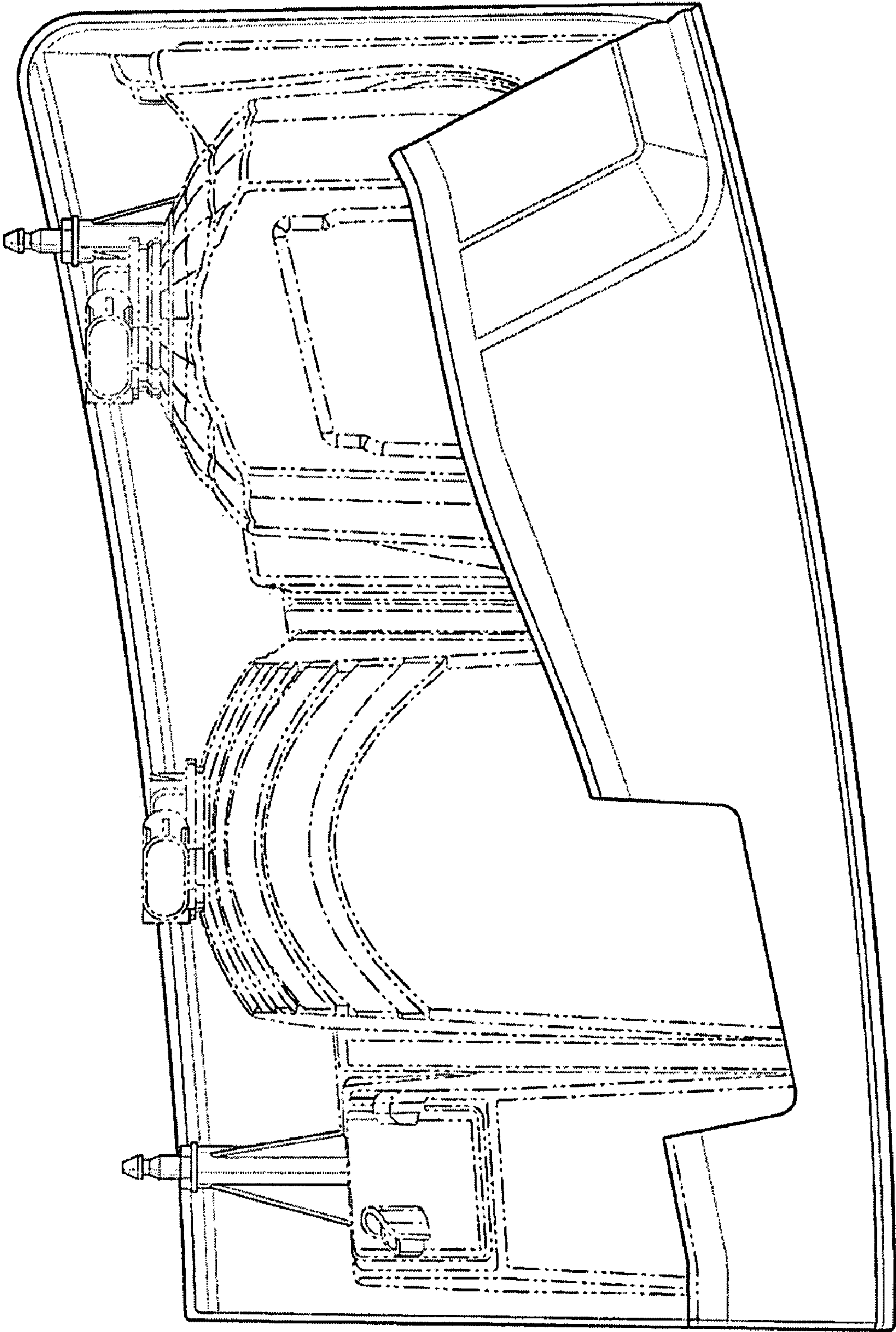


FIG - 5

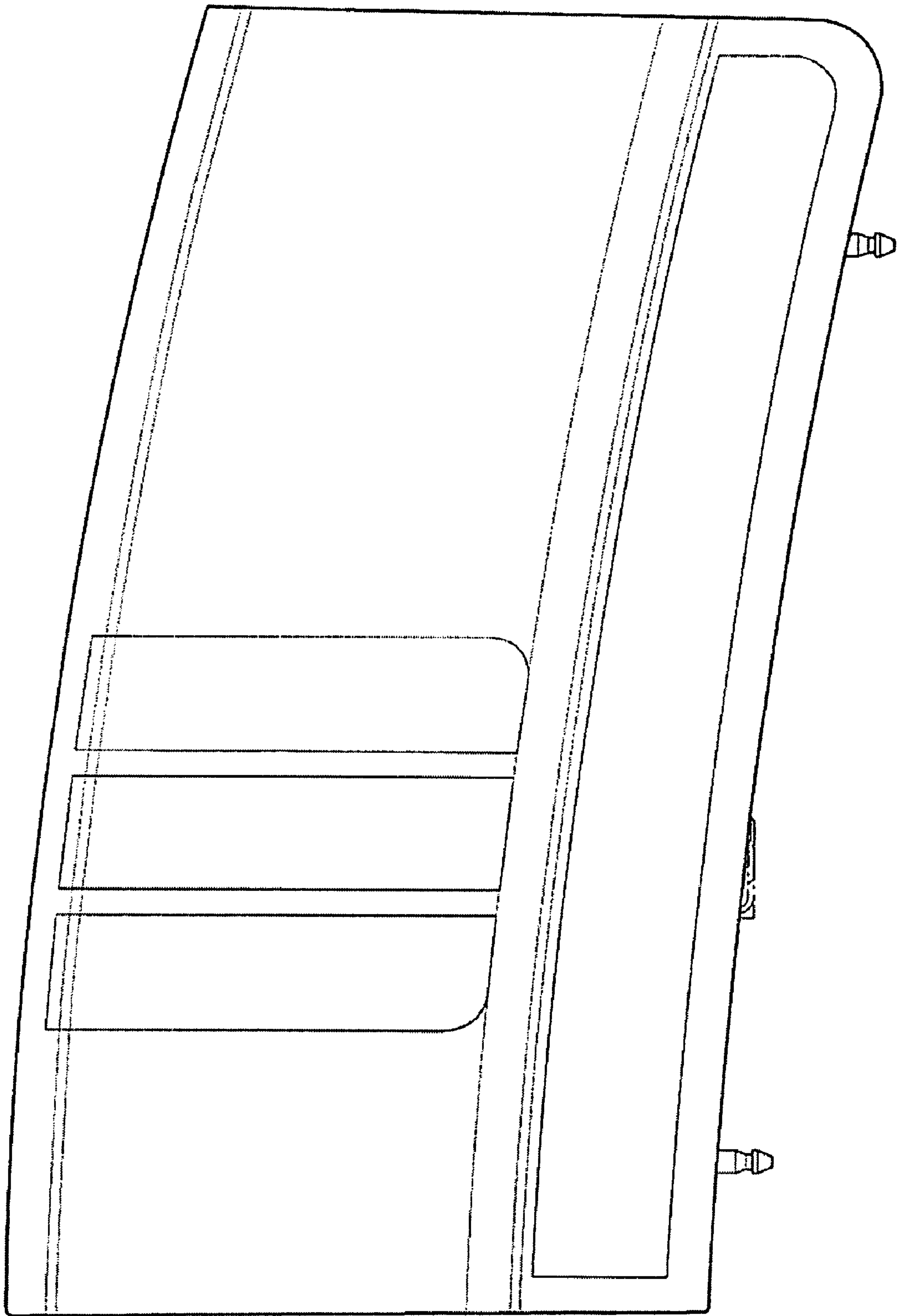


FIG - 6

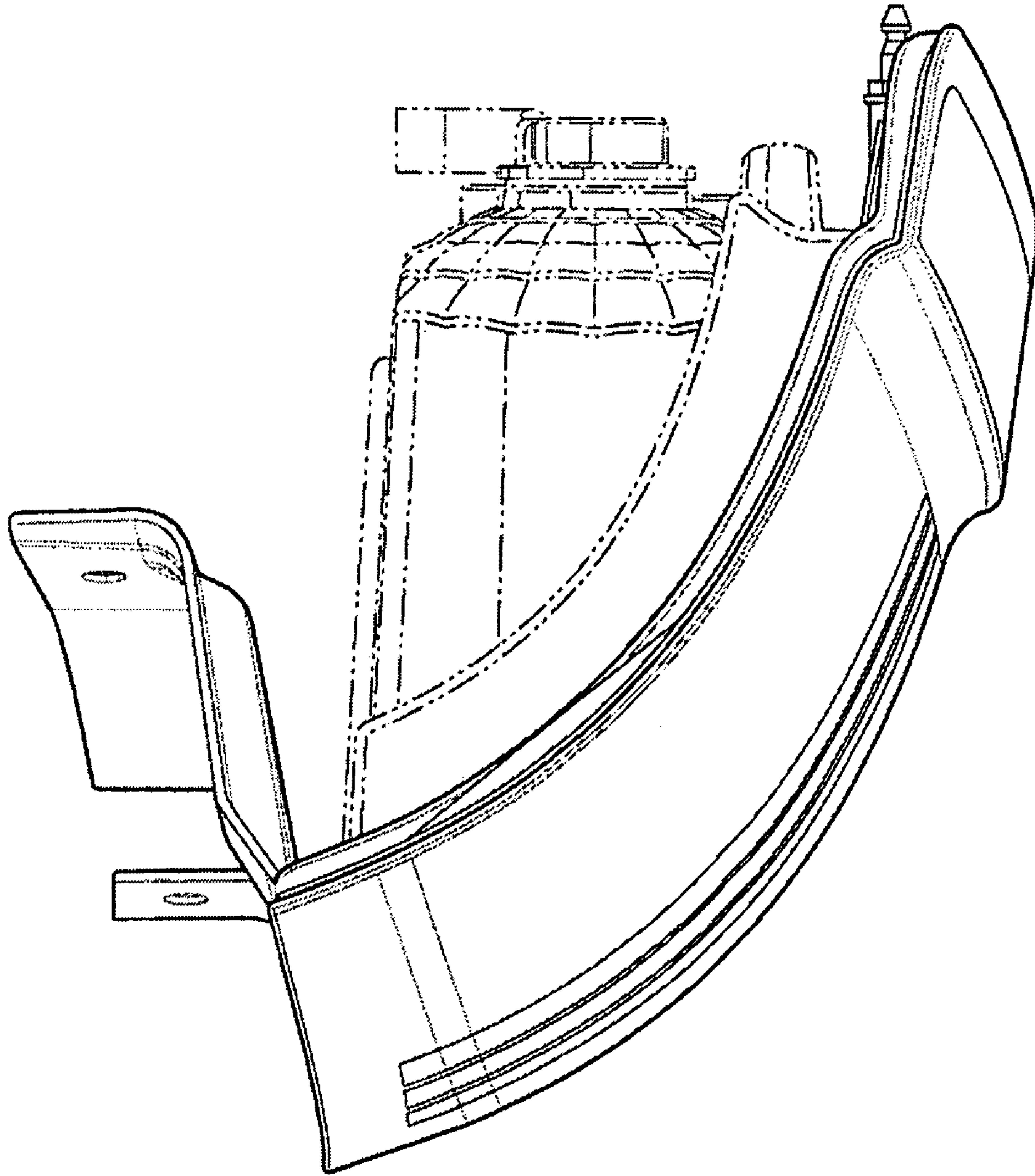


FIG - 7

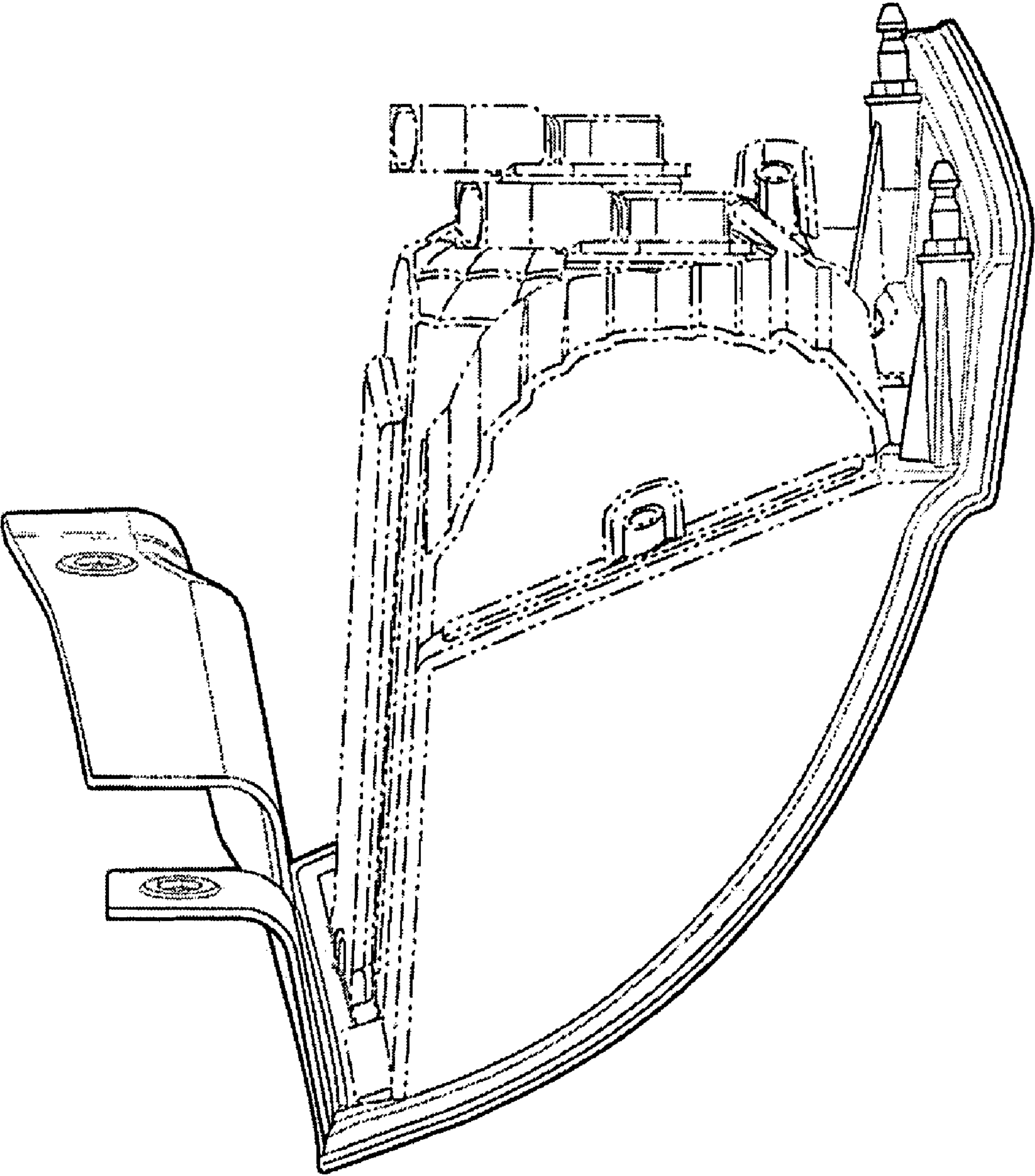


FIG - 8