

US00D567404S

(12) **United States Design Patent**
Hsu

(10) **Patent No.:** **US D567,404 S**

(45) **Date of Patent:** **** Apr. 22, 2008**

(54) **EXTERIOR SURFACE CONFIGURATION OF
A VEHICLE FRONT LIGHT**

D560,830 S * 1/2008 Hsu D26/28
D560,832 S * 1/2008 Hsu D26/28

(76) Inventor: **Hong Ming Hsu**, No 152. Sec 2.
Funong St. East District, Tainan City
(TW) 701

* cited by examiner

Primary Examiner—Marcus A. Jackson
(74) *Attorney, Agent, or Firm*—Alexander Chen, Esq.

(**) Term: **14 Years**

(57) **CLAIM**

(21) Appl. No.: **29/292,186**

The ornamental design for an exterior surface configuration of a vehicle front light, as shown and described.

(22) Filed: **Oct. 1, 2007**

(51) **LOC (8) Cl.** **26-06**

(52) **U.S. Cl.** **D26/28**

(58) **Field of Classification Search** D26/28-36;
362/459-468, 475-478, 485-487
See application file for complete search history.

DESCRIPTION

FIG. 1 is perspective view from the front left of an exterior surface configuration of a vehicle front light. The drawings and descriptions represent the right side embodiment. The design also contemplates a mirror symmetrical embodiment on the left side of the vehicle. The dash line included denotes environment and is not part of the claimed design

FIG. 2 is a front elevation view thereof;

FIG. 3 is a left elevation view thereof; and,

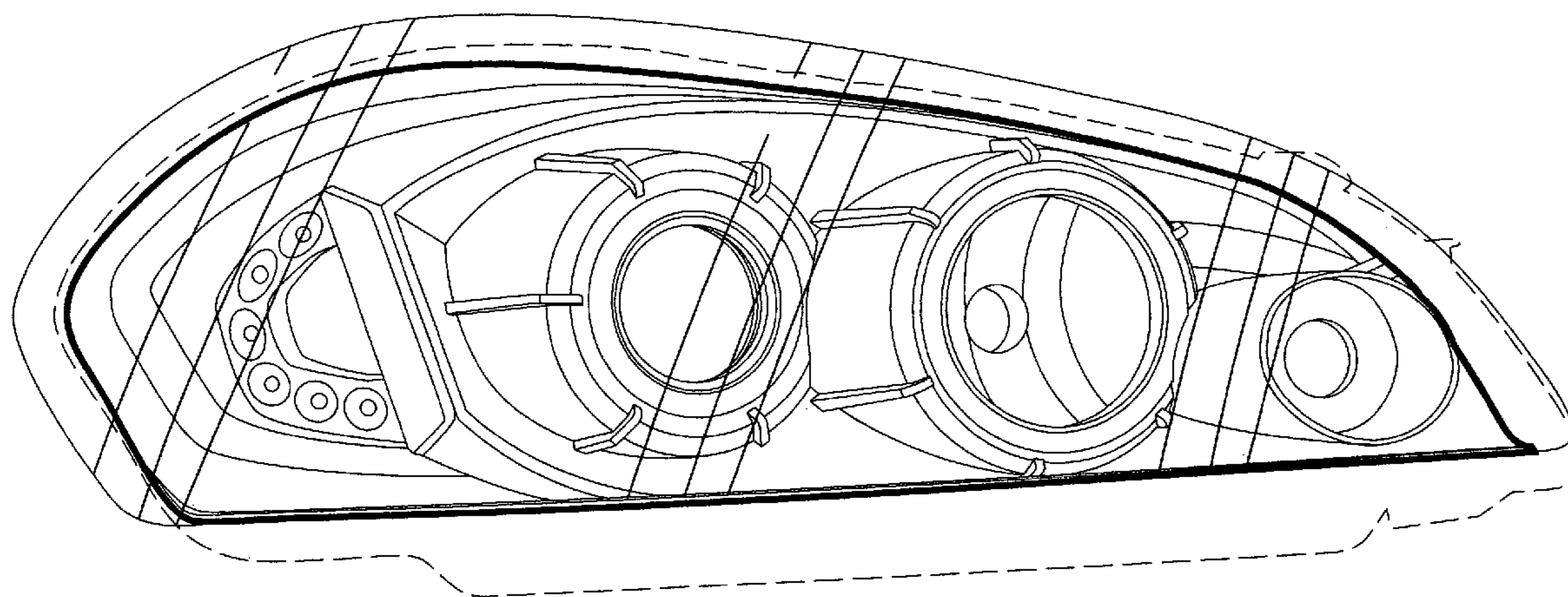
FIG. 4 is a top view thereof.

(56) **References Cited**

U.S. PATENT DOCUMENTS

D528,681 S *	9/2006	Nakahara	D26/28
D535,764 S *	1/2007	Yamaguchi	D26/28
D536,810 S *	2/2007	Ishikura	D26/28
D560,291 S *	1/2008	Koyama	D26/28

1 Claim, 4 Drawing Sheets



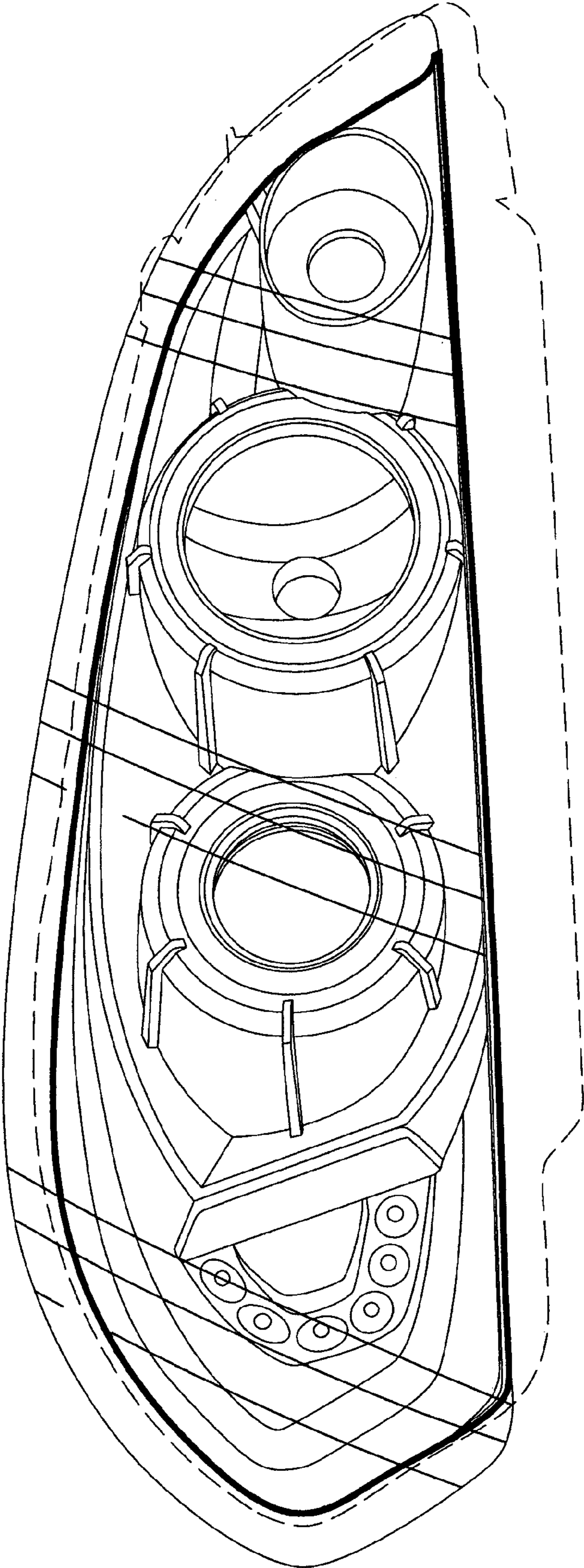


FIG. 1

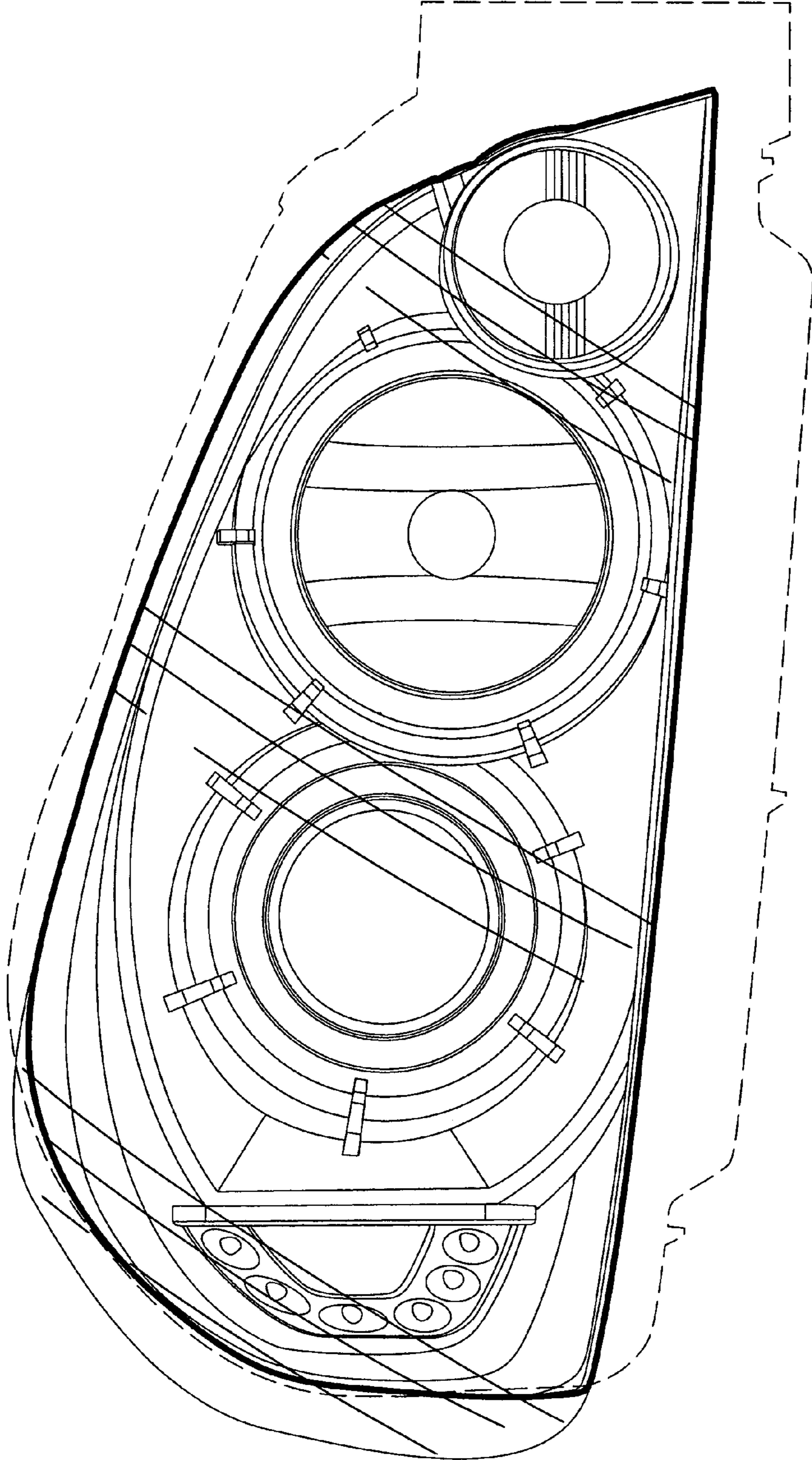


FIG. 2

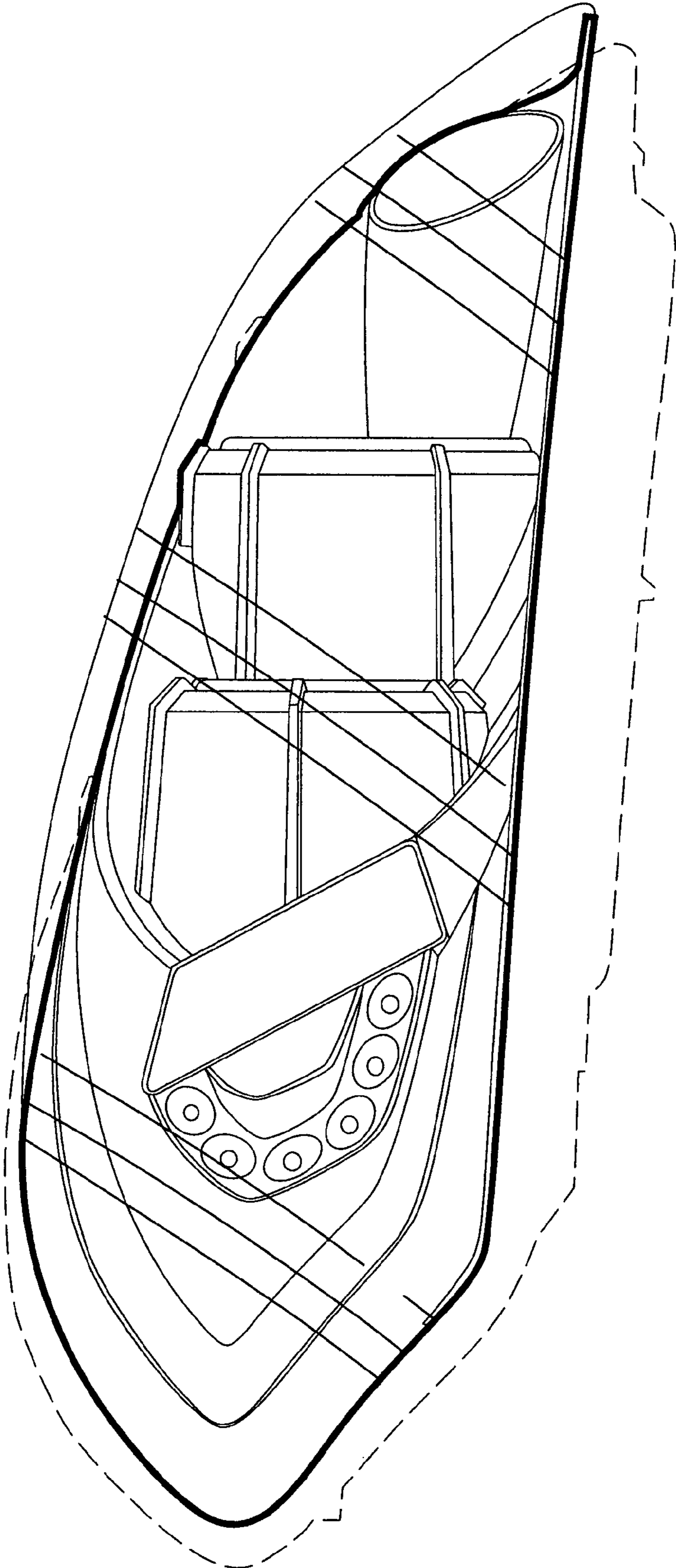


FIG. 3

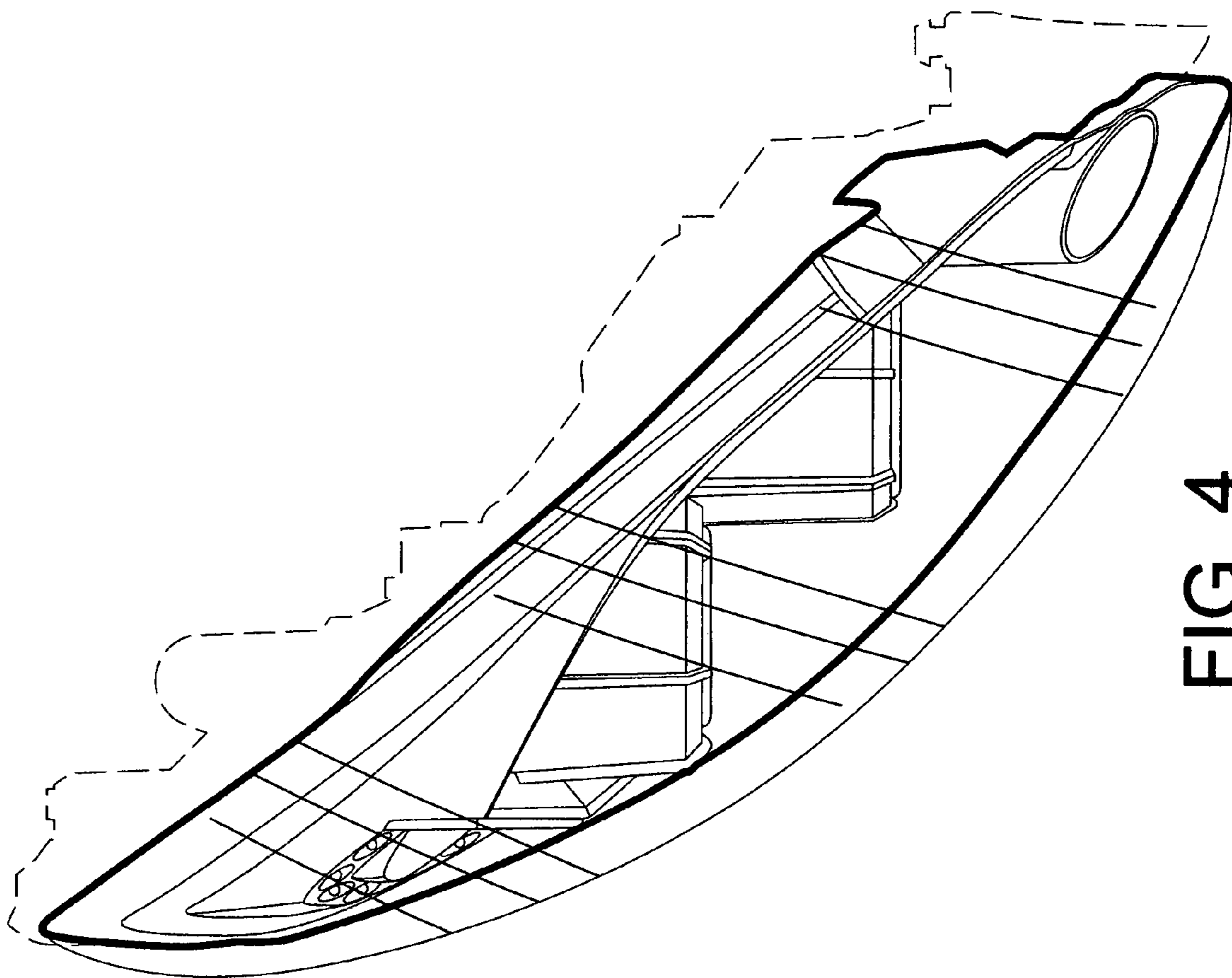


FIG. 4