



US00D567397S

(12) **United States Design Patent**
Terada et al.

(10) **Patent No.:** **US D567,397 S**

(45) **Date of Patent:** **** Apr. 22, 2008**

(54) **BEAM**

D497,211 S * 10/2004 Strassle D25/126

(75) Inventors: **Naoki Terada**, Tokyo (JP); **Kouichi Wakasugi**, Tokyo (JP); **Kenichi Chiyoda**, Tokyo (JP); **Harunobu Saito**, Tokyo (JP); **Takashi Kunishita**, Tokyo (JP); **Hideki Tachikawa**, Tokyo (JP); **Kenichi Kobayashi**, Tokyo (JP)

* cited by examiner

Primary Examiner—Doris Clark
(74) *Attorney, Agent, or Firm*—Rader, Fishman & Grauer, PLLC

(73) Assignee: **Uchida Yoko Co., Ltd**, Tokyo (JP)

(57) **CLAIM**

(**) Term: **14 Years**

We claim, the ornamental design for a beam, as shown and described.

(21) Appl. No.: **29/259,549**

DESCRIPTION

(22) Filed: **May 11, 2006**

FIG. 1 is a perspective view of a beam showing our new design;

(30) **Foreign Application Priority Data**

Nov. 11, 2005 (JP) D2005-033458

FIG. 2 is a front elevational view thereof; the rear elevational view being a mirror image thereof;

(51) **LOC (8) Cl.** **25-01**

(52) **U.S. Cl.** **D25/126; D25/61**

(58) **Field of Classification Search** D25/126,

D25/61; 52/649.2, 729.1, 731.2

See application file for complete search history.

FIG. 3 is a right side elevational view thereof; the left side elevational view being a mirror image thereof;

FIG. 4 is a top plan view thereof, the bottom plan view thereof being a mirror image thereof;

FIG. 5 is a reference front elevational view of the beam, showing a line VI—VI; and,

(56) **References Cited**

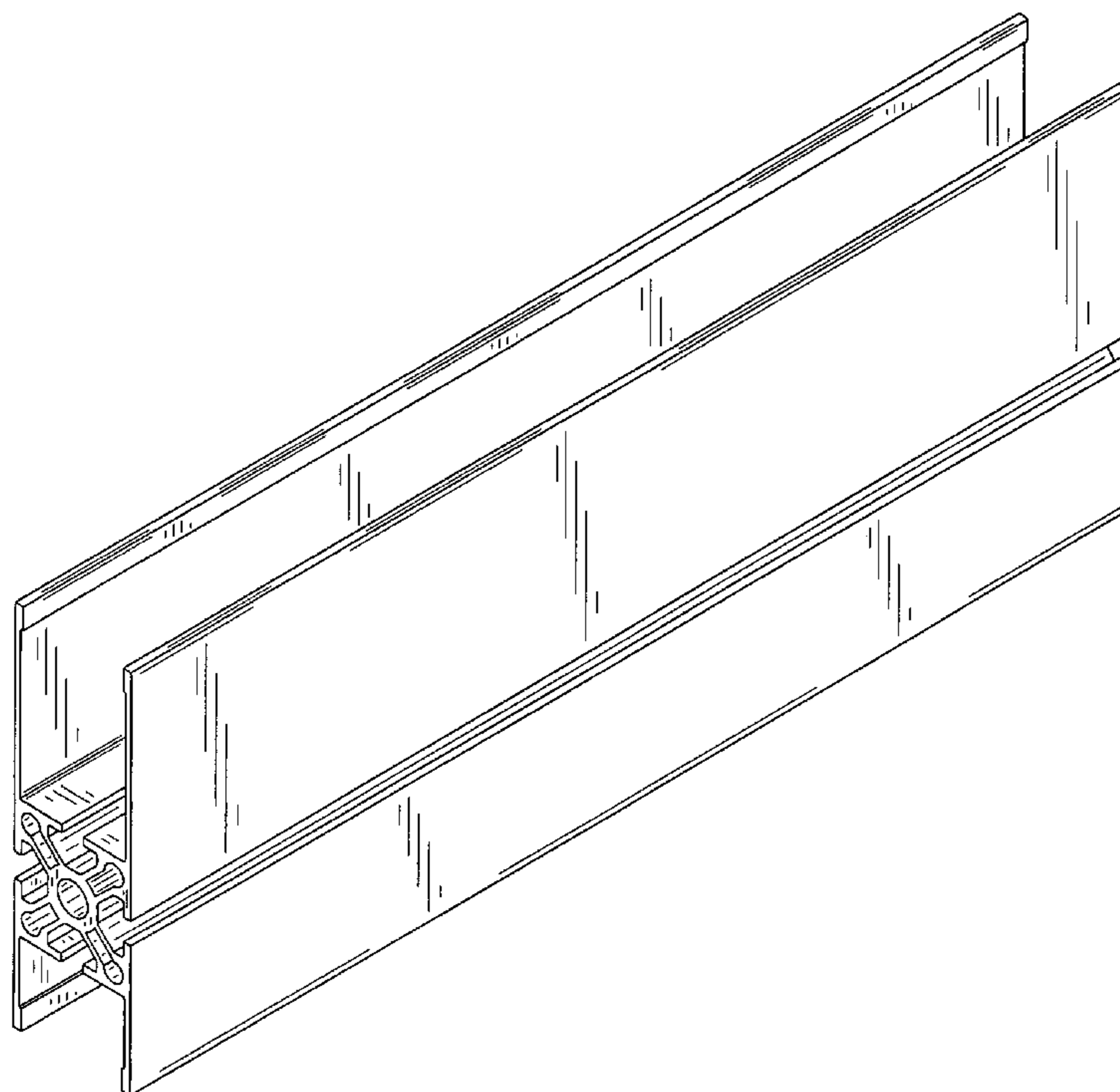
U.S. PATENT DOCUMENTS

5,398,909 A * 3/1995 Sandwith 249/207
D363,997 S * 11/1995 Nomura D25/122
5,848,512 A * 12/1998 Conn 52/729.1
6,283,456 B1 * 9/2001 Benz et al. 256/24
D493,235 S * 7/2004 Strassle D25/61

FIG. 6 is a reference cross-sectional view thereof, taken along the line VI—VI in the direction of arrows shown in FIG. 5.

The broken lines are for illustrative purposes only and form no part of the claimed design.

1 Claim, 6 Drawing Sheets



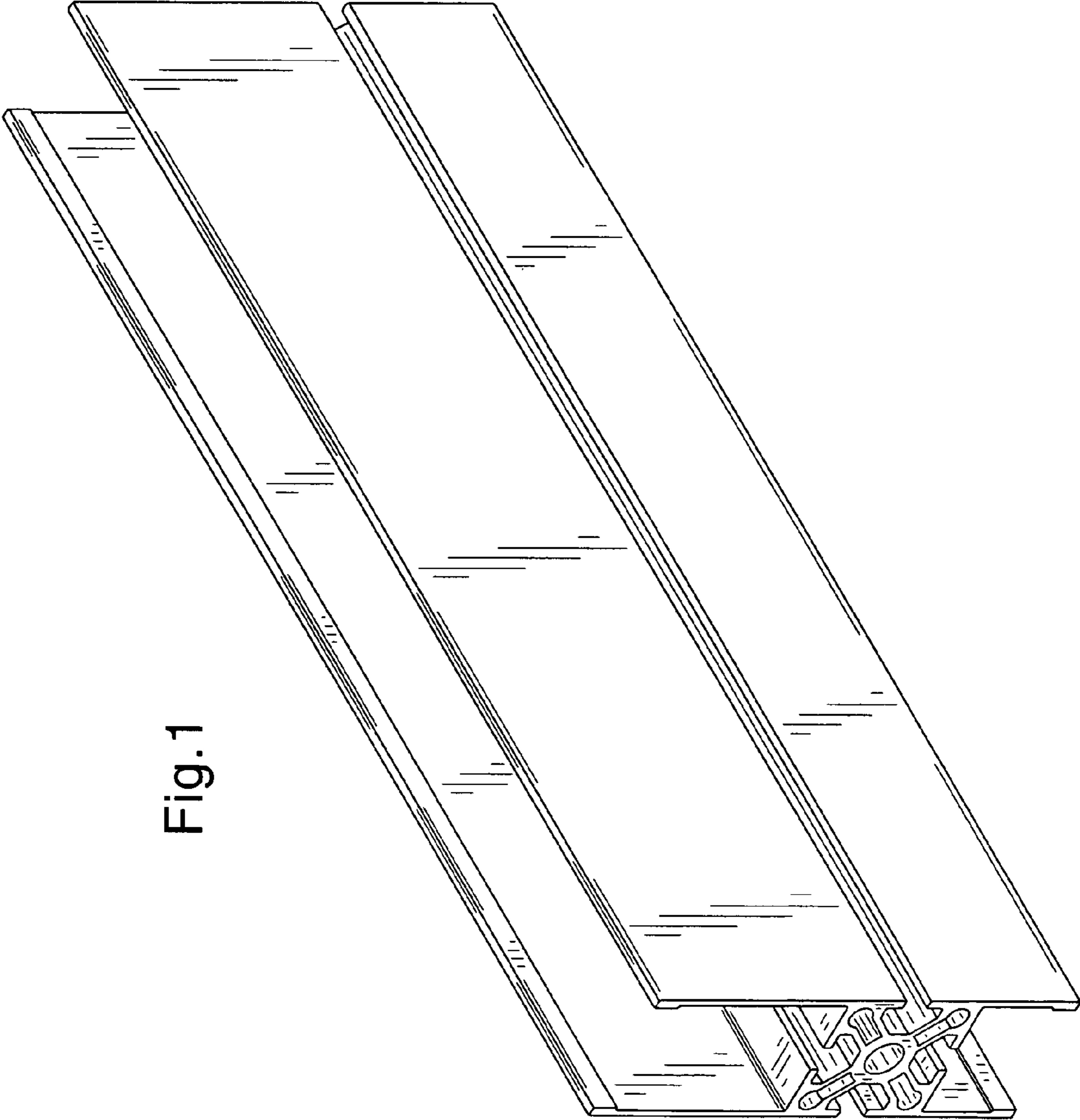


Fig.1

Fig.2

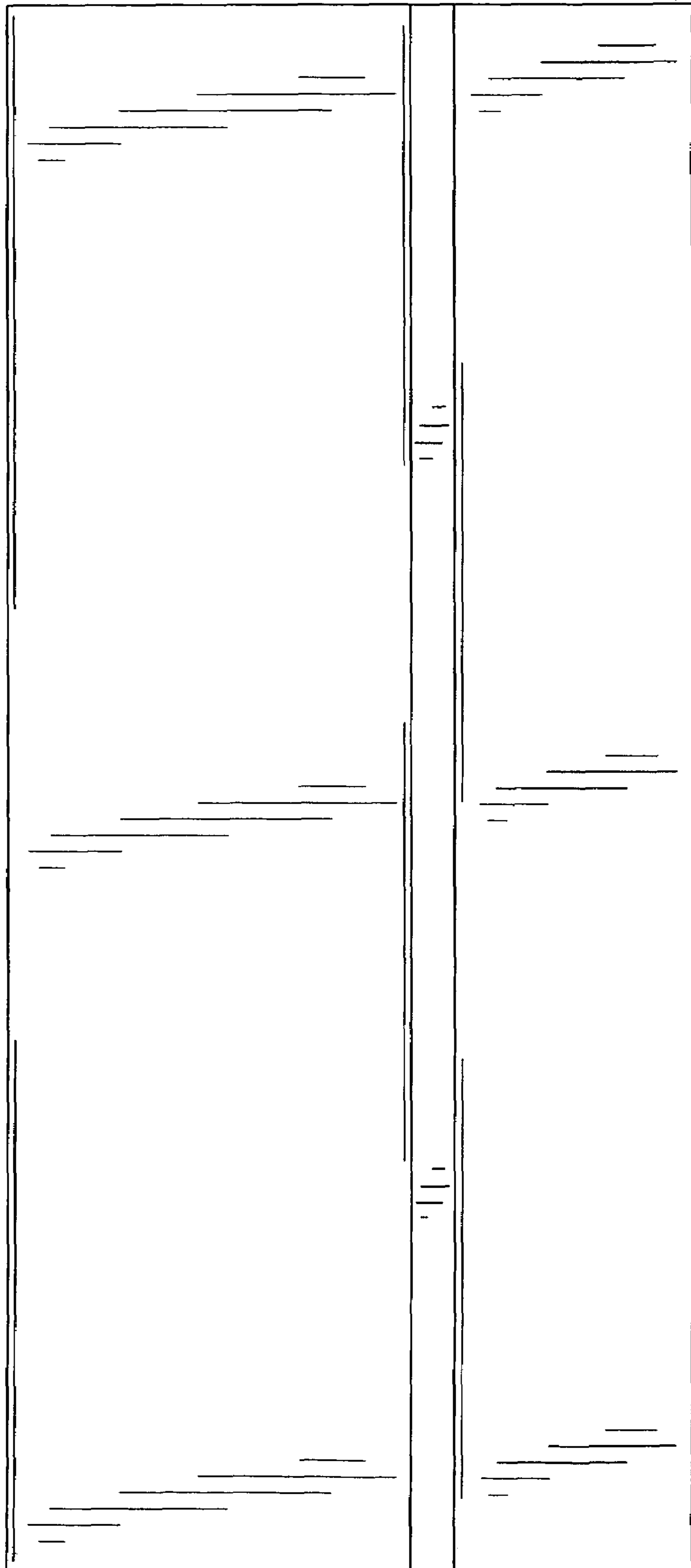


Fig. 3

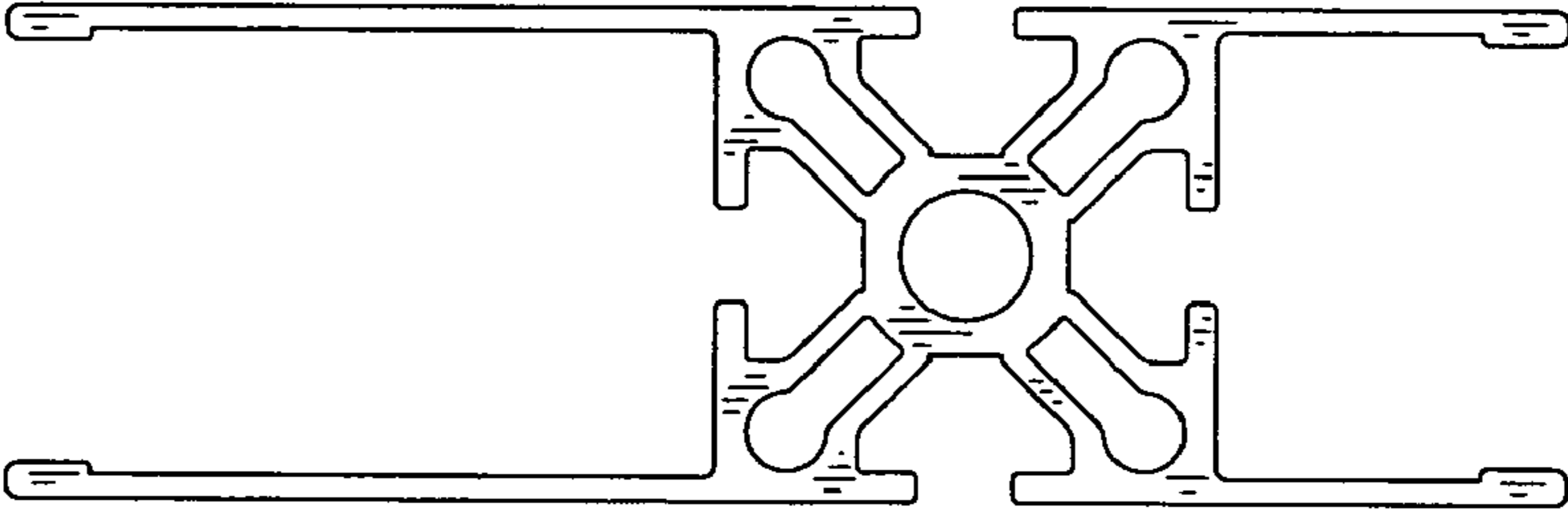


Fig.4

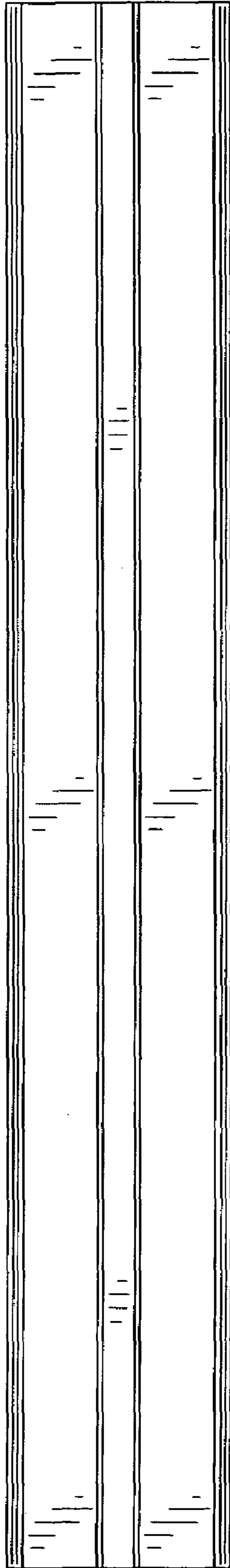


Fig.5

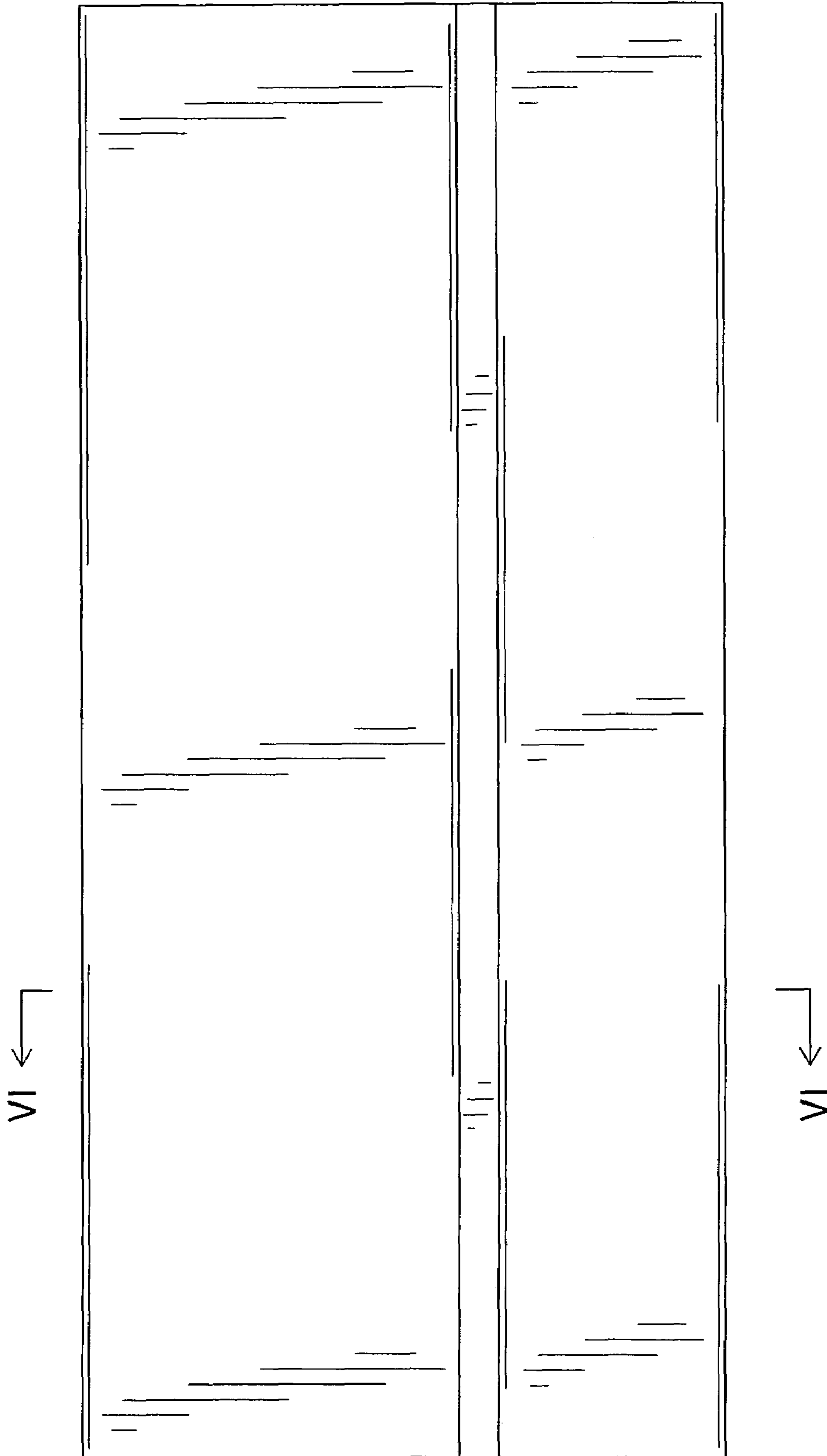


Fig. 6

