



US00D567396S

(12) **United States Design Patent**
Cole

(10) **Patent No.:** **US D567,396 S**
(45) **Date of Patent:** **** Apr. 22, 2008**

(54) **WINDOW COMPONENT EXTRUSION**

(75) Inventor: **Douglas Cole**, Seattle, WA (US)

(73) Assignee: **Mikron Industries, Inc.**, Kent, WA (US)

(**) Term: **14 Years**

(21) Appl. No.: **29/270,673**

(22) Filed: **Dec. 28, 2006**

(51) **LOC (8) Cl.** **25-01**

(52) **U.S. Cl.** **D25/124**

(58) **Field of Classification Search** D25/119,
D25/124, 125; 52/204.1, 204.2, 204.5, 204.51,
52/656.5, 656.6, 213, 215, 204.71, 204.55,
52/204.593, 204.595, 730.3, 208; 49/DIG. 2,
49/504

See application file for complete search history.

(56) **References Cited**

U.S. PATENT DOCUMENTS

D351,033 S	9/1994	Cole	
D353,471 S	12/1994	Cole	
5,522,196 A *	6/1996	Conroy et al.	52/738.1
D407,505 S *	3/1999	Hersh et al.	D25/124
D493,542 S *	7/2004	Lockbeam	D25/124

OTHER PUBLICATIONS

Mikron Part No. 7171, conceived of by Michael Franson on May 5, 1995 and first sold Nov. 15, 1995.

Mikron Part No. 8413, conceived of by Michael Lockbeam on Jun. 4, 2001 and first sold Dec. 4, 2001.

Mikron Part No. 7371 first conceived of on May 8, 1996 and first sold Feb. 17, 1997.

* cited by examiner

Primary Examiner—Doris Clark

(74) *Attorney, Agent, or Firm*—Black Lowe & Graham PLLC

(57) **CLAIM**

The ornamental design for a window component extrusion, as shown and described.

DESCRIPTION

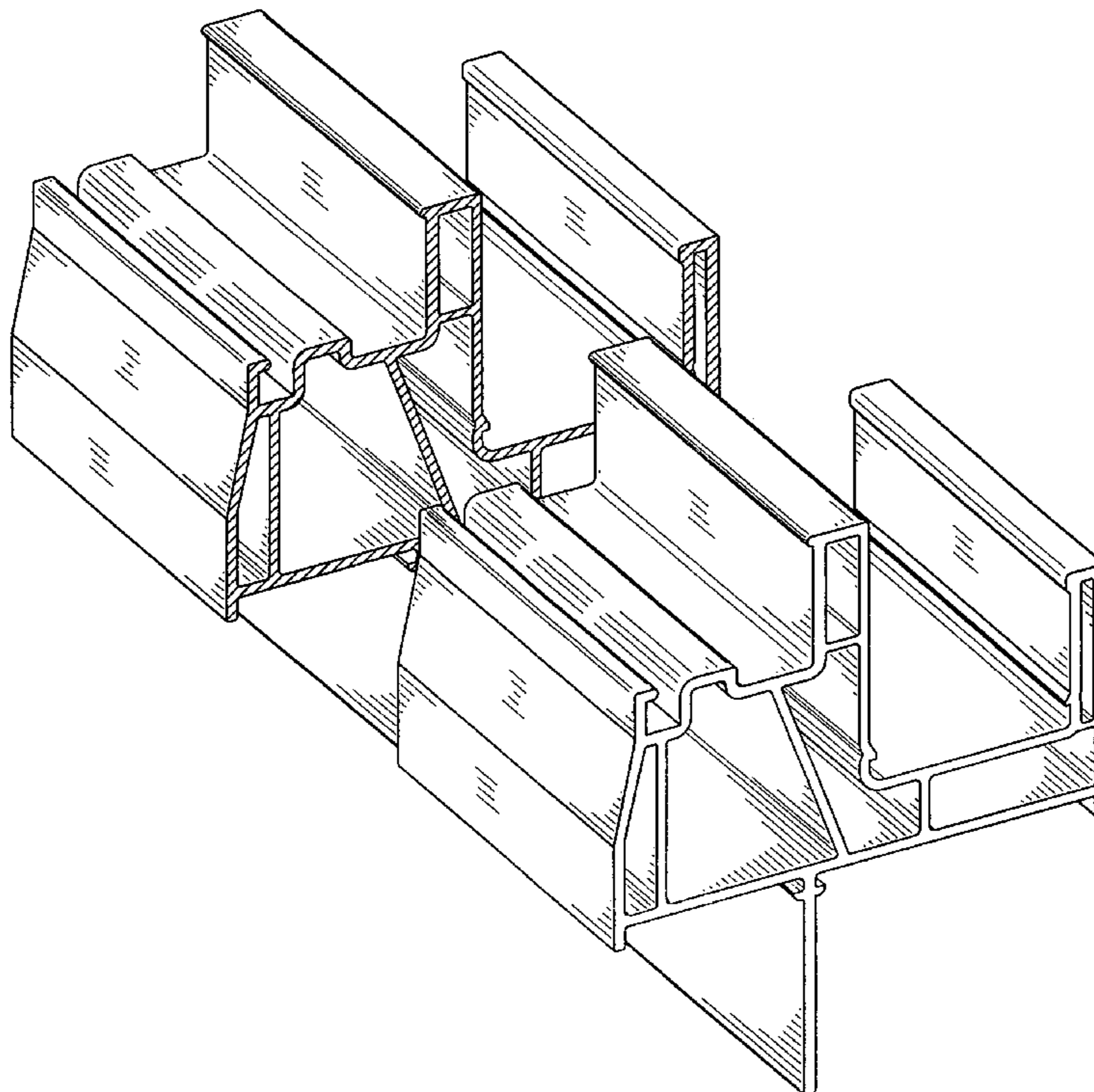
FIG. 1 is a top left perspective view of the window component extrusion which is broken in the center indicating indefinite length.

FIG. 2 is a bottom right perspective view of the window component extrusion shown in FIG. 1.

FIG. 3 is a top left perspective view of a second embodiment of the window component extrusion which is broken in the center indicating indefinite length; and,

FIG. 4 is a bottom right perspective view of the window component extrusion shown in FIG. 3.

1 Claim, 4 Drawing Sheets



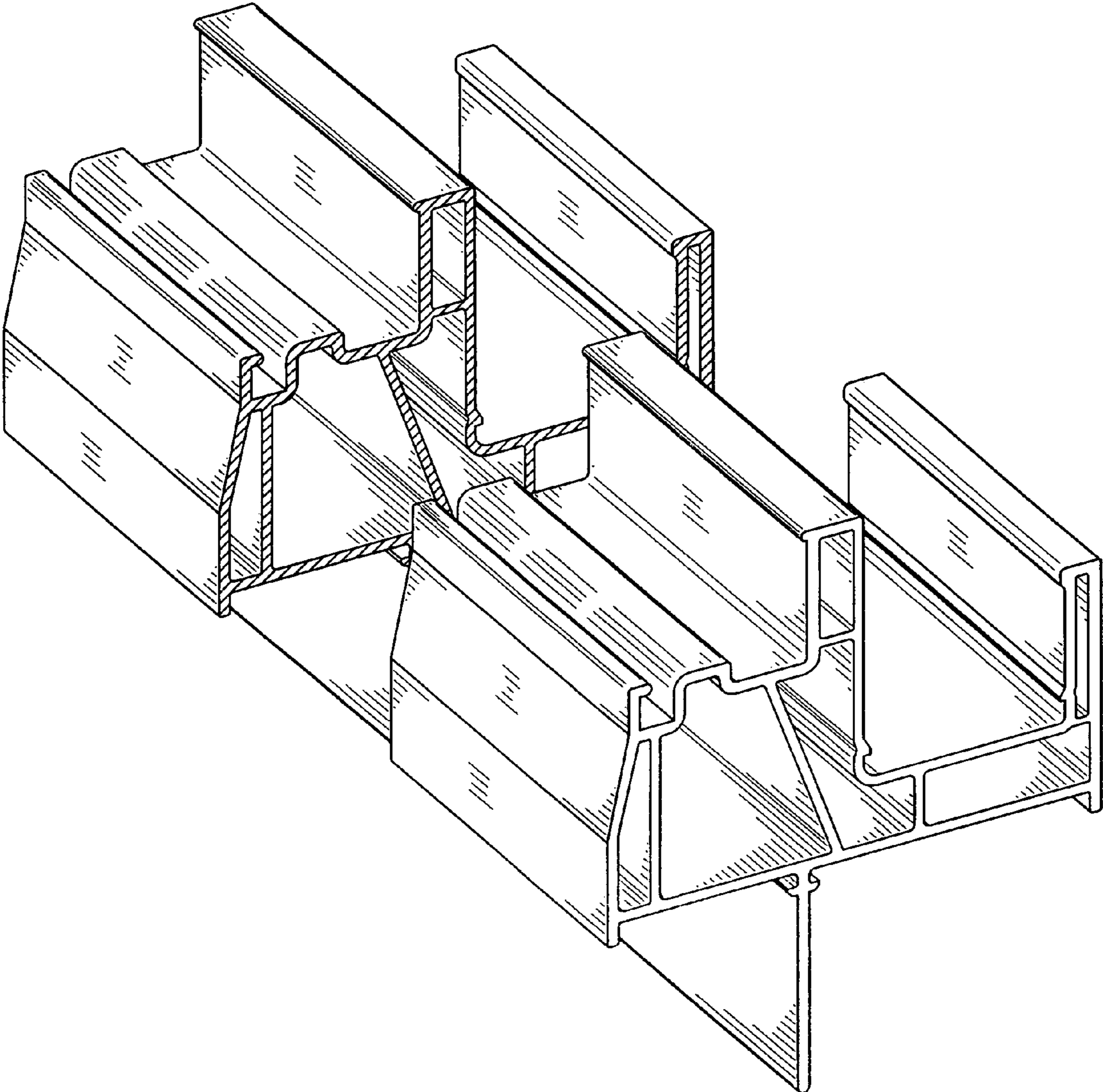


FIG.1

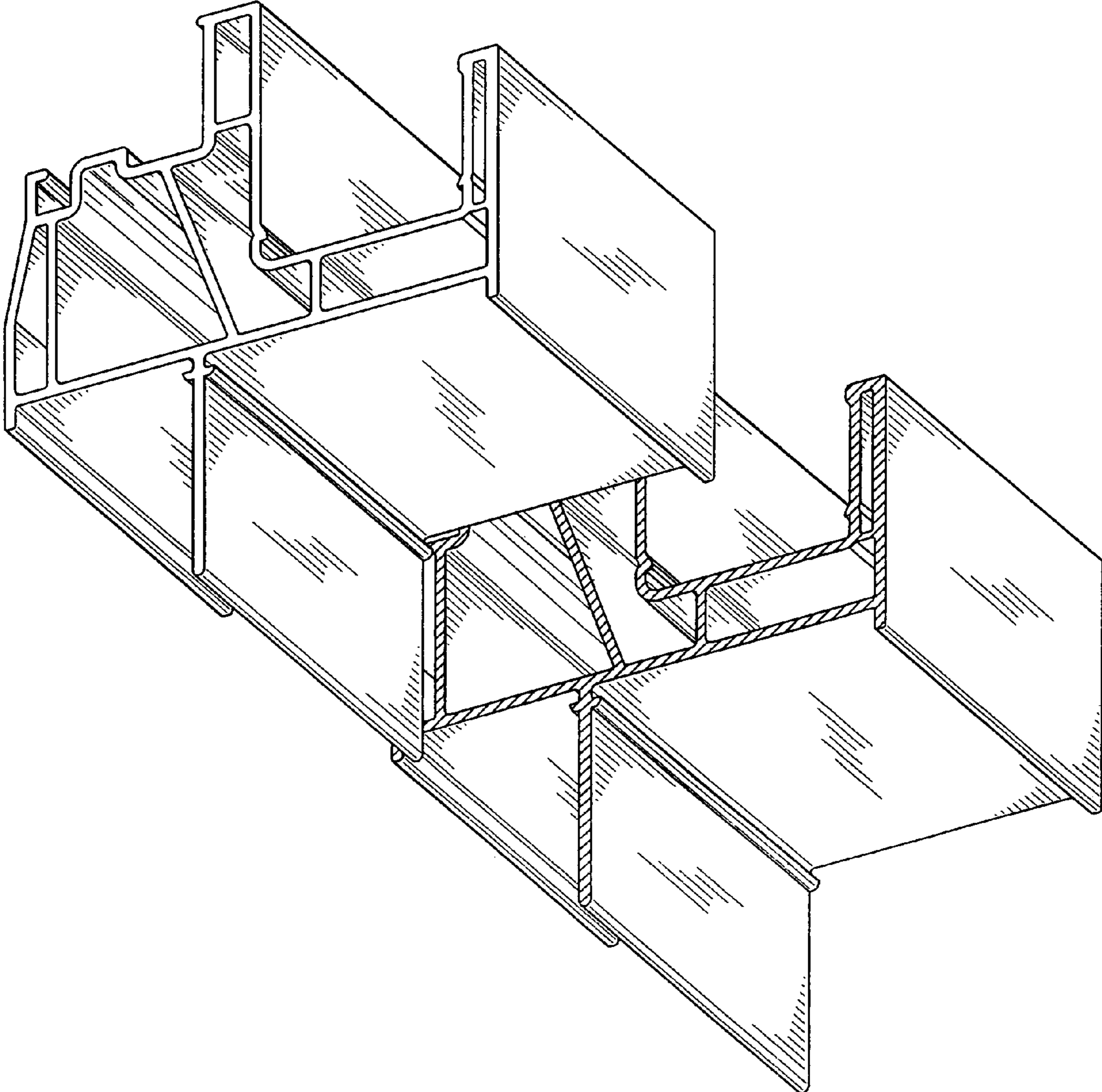


FIG.2

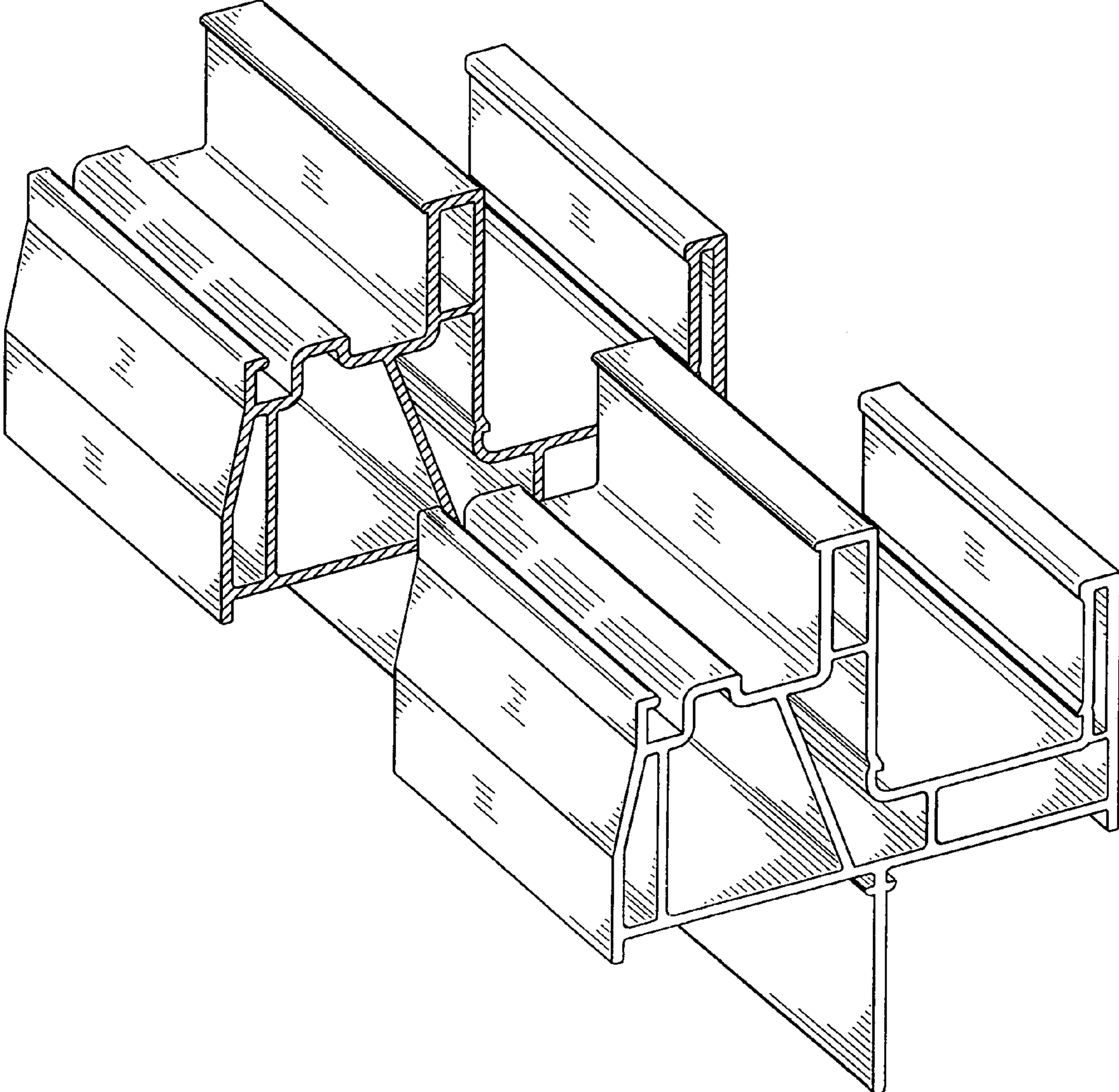


FIG. 3

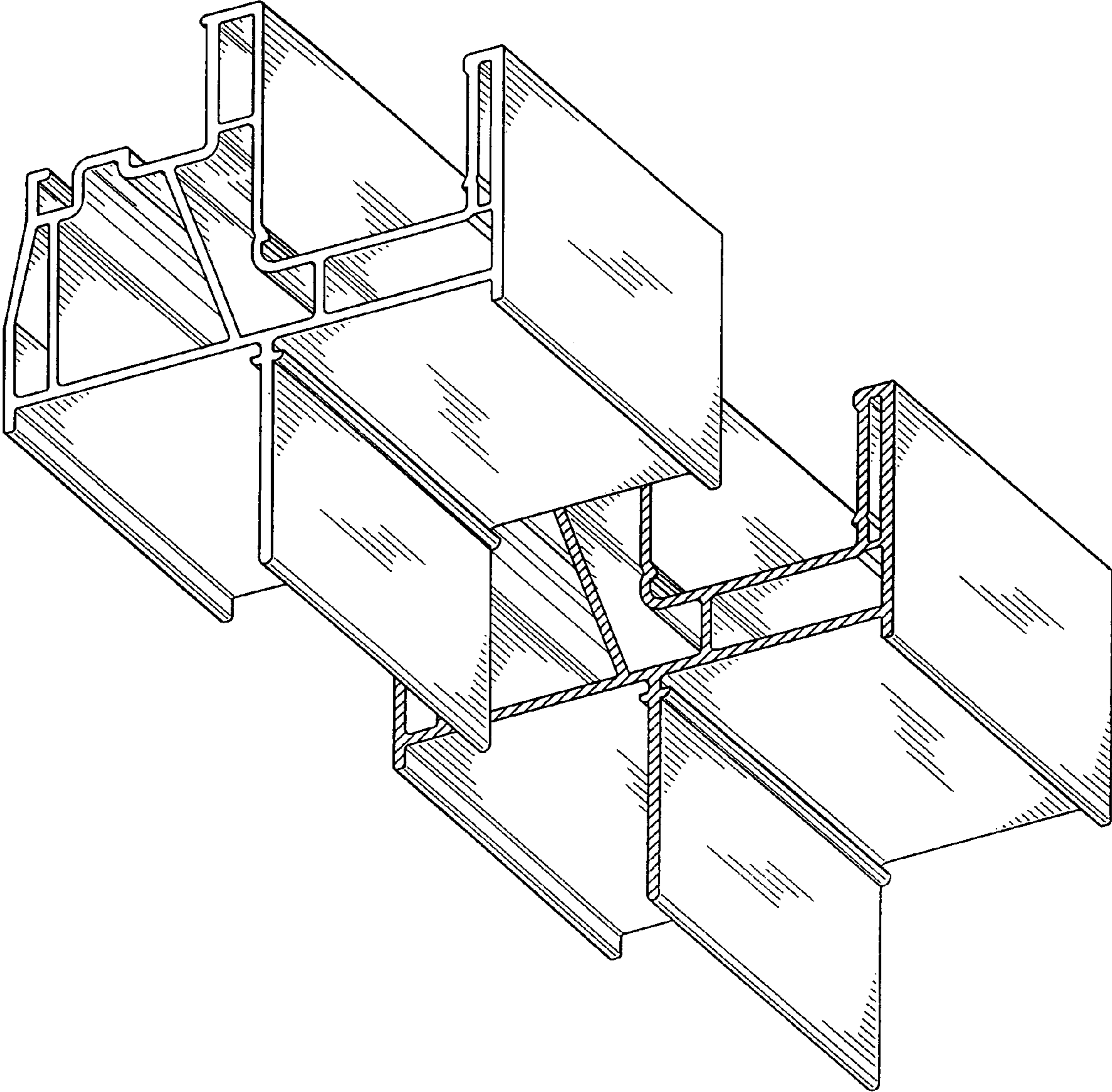


FIG. 4