



US00D567395S

(12) **United States Design Patent**
Bishop et al.

(10) **Patent No.:** **US D567,395 S**

(45) **Date of Patent:** **** Apr. 22, 2008**

(54) **STEP STOOL**

6,568,506 B1 * 5/2003 Donnalley 182/223
D501,683 S * 2/2005 Hernandez et al. D25/65

(75) Inventors: **Suzanne Bishop**, Godalming (GB);
Graham Bishop, Godalming (GB)

* cited by examiner

(73) Assignee: **Teeny Tiny Ltd.**, Surry (GB)

Primary Examiner—Doris Clark

(**) Term: **14 Years**

(74) *Attorney, Agent, or Firm*—Norris McLaughlin &
Marcus PA

(21) Appl. No.: **29/277,301**

(57) **CLAIM**

(22) Filed: **Feb. 21, 2007**

The design for a step stool, as shown and described.

(30) **Foreign Application Priority Data**

DESCRIPTION

Aug. 21, 2006 (EM) 0010579107

FIG. 1 is a perspective top left view of a step stool.

(51) **LOC (8) Cl.** **25-04**

FIG. 2 is a elevation view of the left side of a step stool. The right side view is identical.

(52) **U.S. Cl.** **D25/65**

FIG. 3 is a plan view of the top of a step stool.

(58) **Field of Classification Search** 182/152,
182/156, 163, 165, 33; D25/64, 65; D6/350,
D6/351

FIG. 4 is a elevation view of the front of a step stool. The rear view is identical.

See application file for complete search history.

FIG. 5 is a plan view of the bottom of a step stool.

(56) **References Cited**

FIG. 6 is a elevation view of the front of a step stool with the legs folded. The rear view with the legs folded is identical; and,

U.S. PATENT DOCUMENTS

1,811,674 A * 6/1931 Longley 108/171
D169,461 S * 4/1953 Tilley D25/65
D449,386 S * 10/2001 Cheris et al. D25/65
D460,566 S * 7/2002 Henschel et al. D25/65

FIG. 7 is a plan view of the bottom of a step stool with the legs folded.

1 Claim, 4 Drawing Sheets

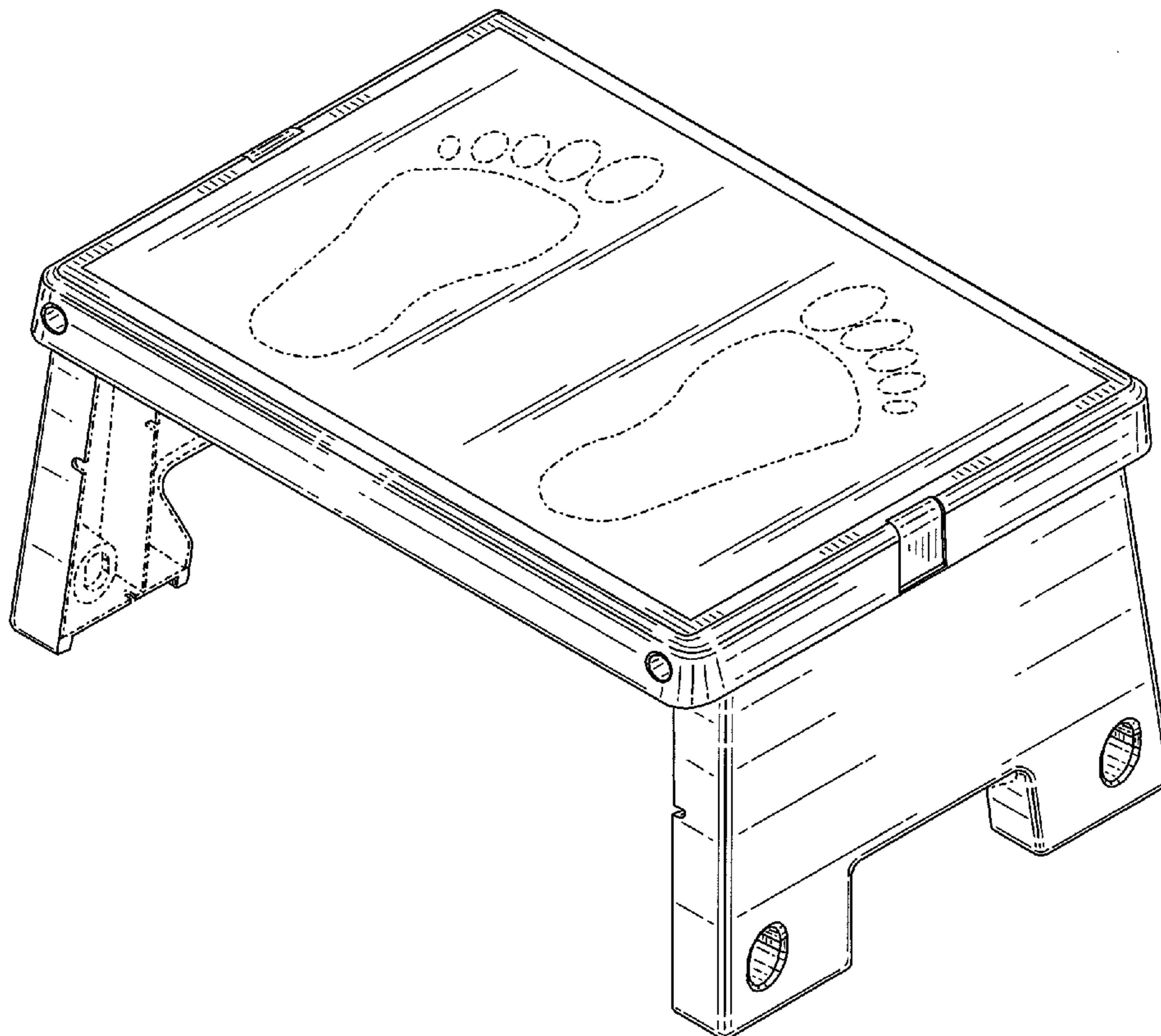
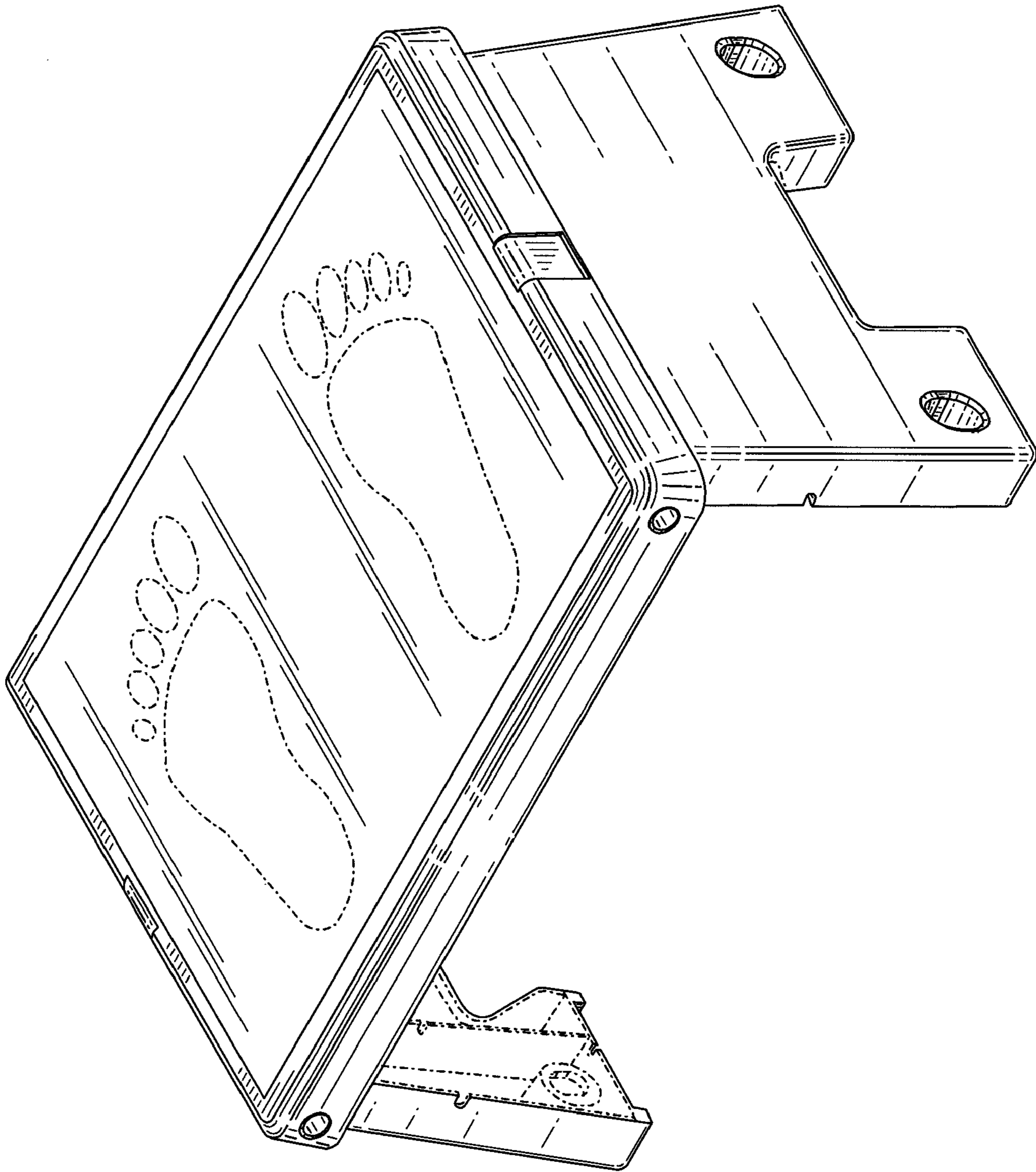


FIG. 1



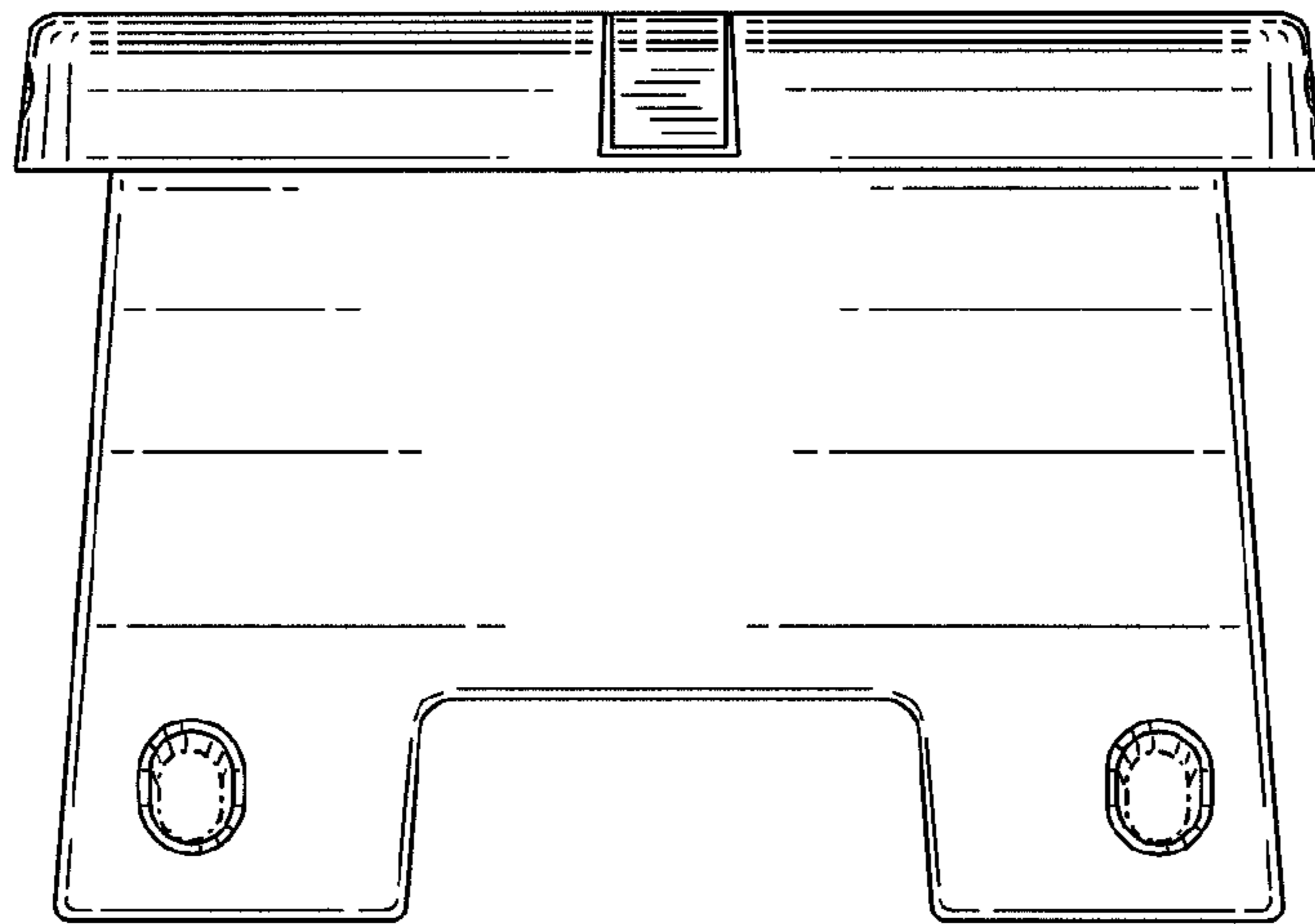


FIG. 2

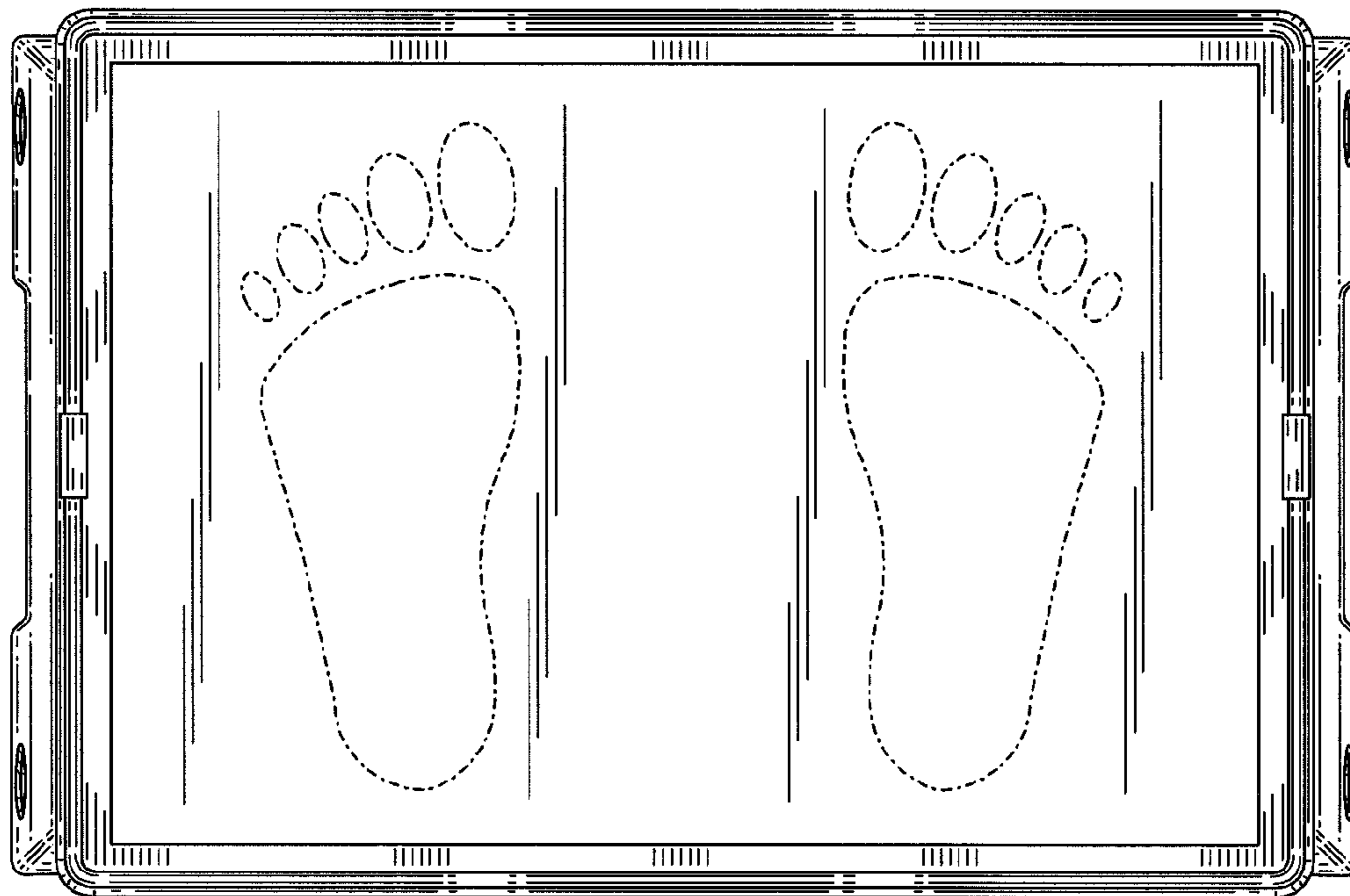


FIG. 3

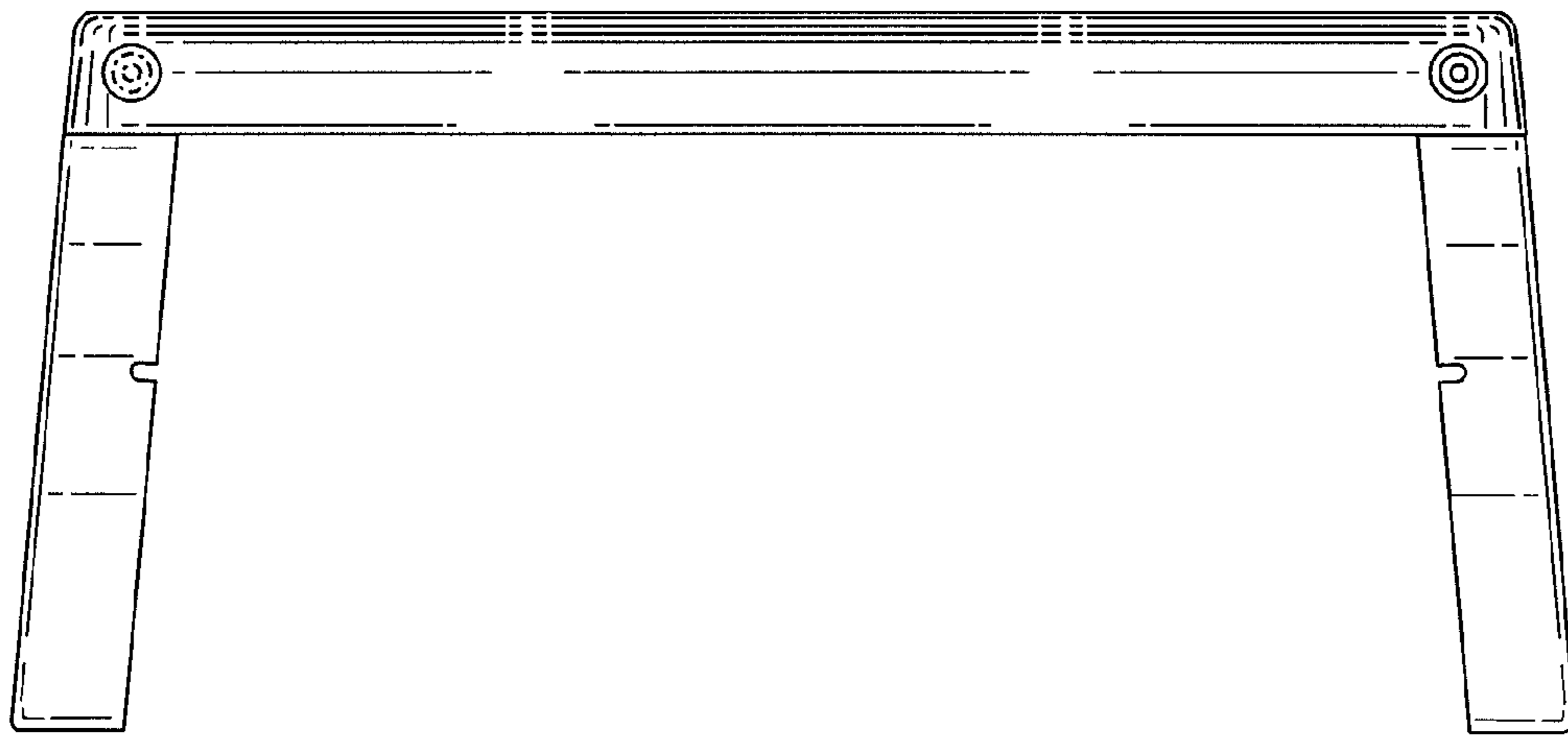


FIG. 4

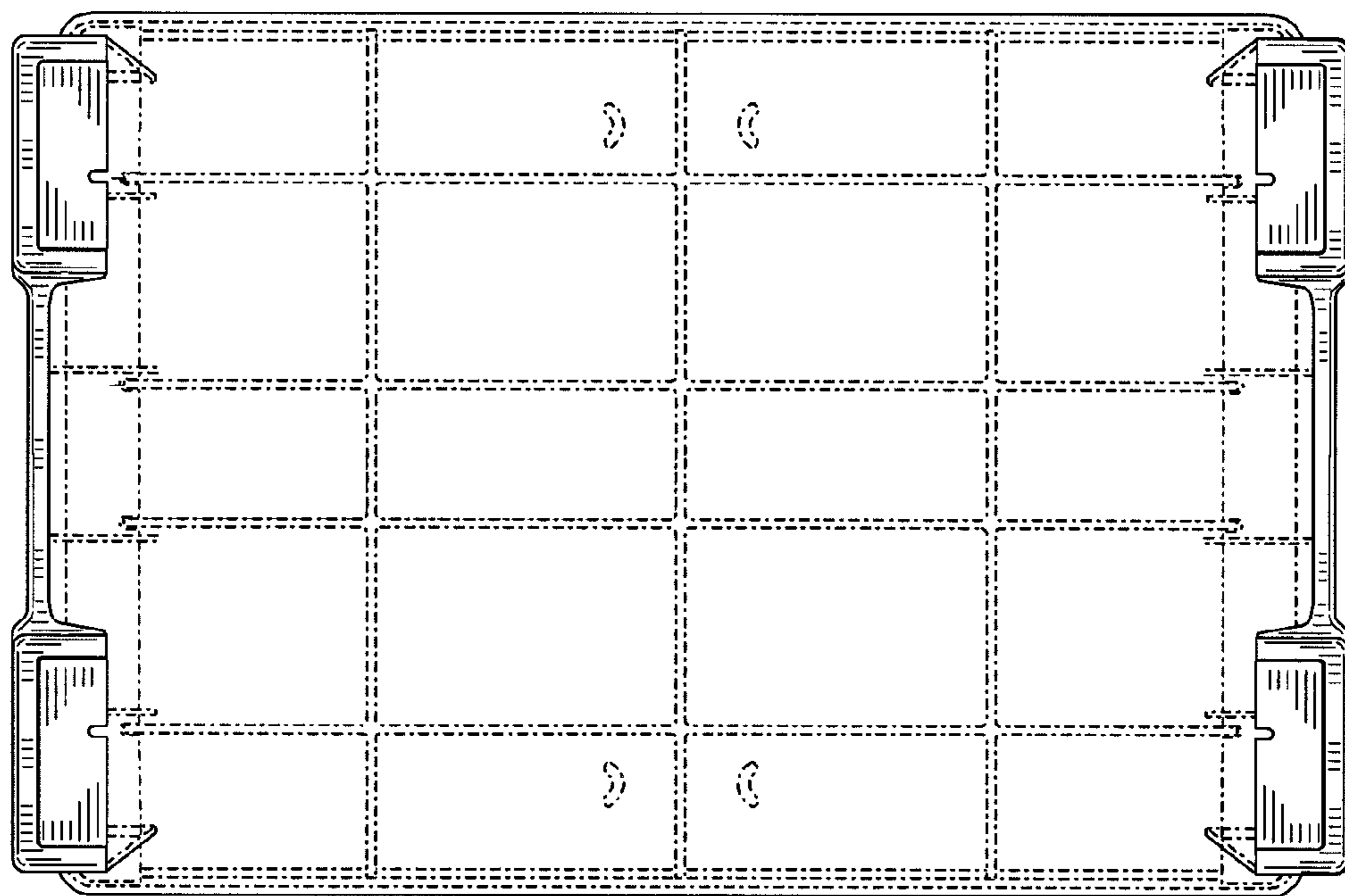


FIG. 5

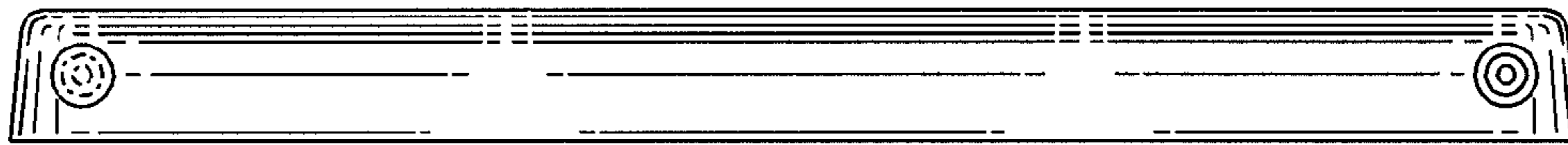


FIG. 6

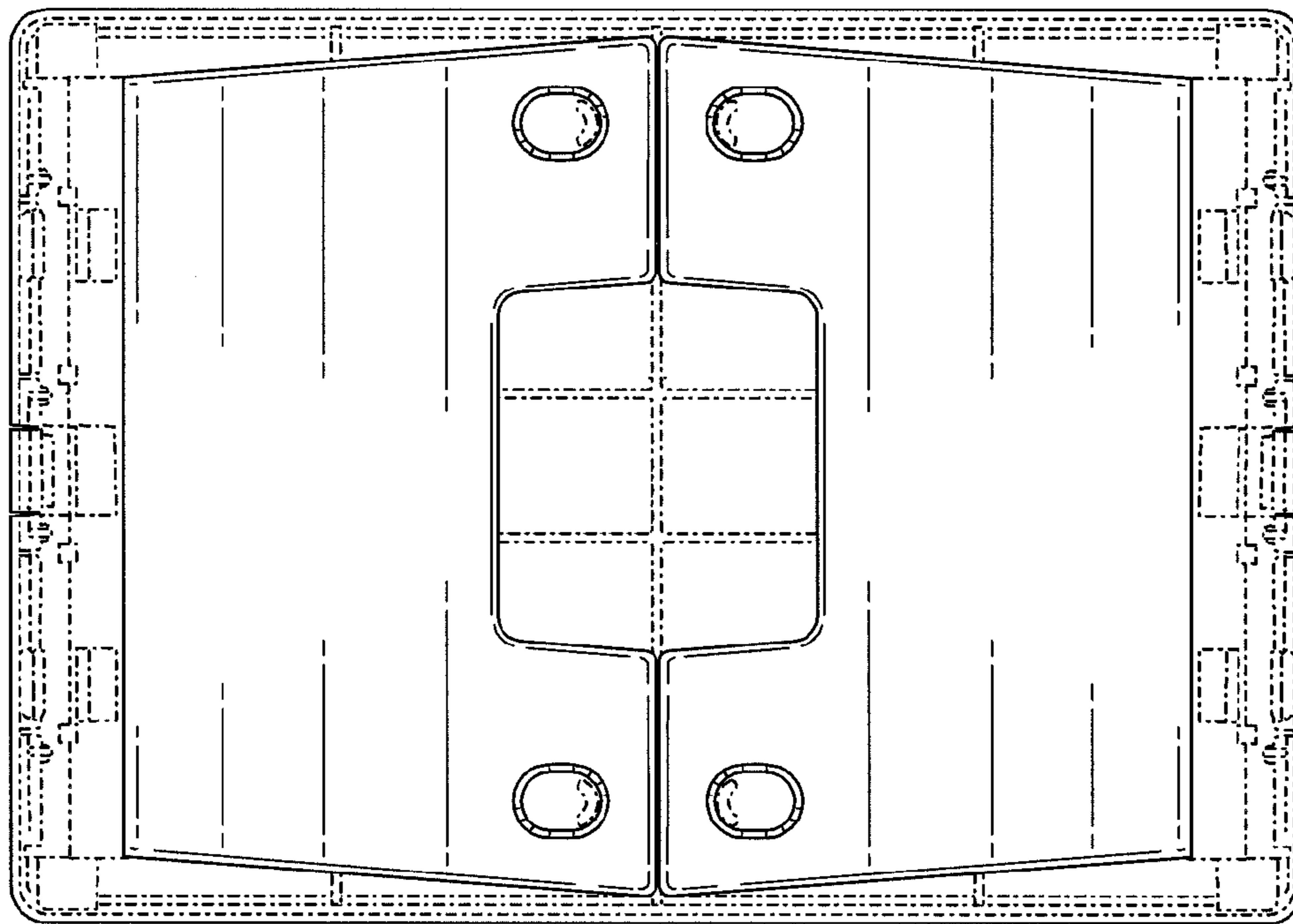


FIG. 7