

US00D567388S

(12) **United States Design Patent**
Harold et al.

(10) **Patent No.:** **US D567,388 S**

(45) **Date of Patent:** **** Apr. 22, 2008**

(54) **HIGH RECOVERY VIAL**

(75) Inventors: **Redd J. Harold**, Ocean View, NJ (US);
Daniel R. Hoffman, Mullica Hill, NJ
(US)

(73) Assignee: **Comar, Inc.**, Buena, NJ (US)

(**) Term: **14 Years**

(21) Appl. No.: **29/243,220**

(22) Filed: **Nov. 22, 2005**

(51) **LOC (8) Cl.** **24-01**

(52) **U.S. Cl.** **D24/224**

(58) **Field of Classification Search** D24/216-230,
D24/110, 121; D9/439, 440, 503, 521, 544,
D9/560; 422/99-102, 104; 435/288.1, 288.2,
435/294.1, 295.1; 356/246; 215/227, 296
See application file for complete search history.

(56) **References Cited**

U.S. PATENT DOCUMENTS

- D372,090 S * 7/1996 MacCauley et al. D24/121
- D416,195 S * 11/1999 Faughey et al. D9/719
- D420,744 S * 2/2000 Ostgaard et al. D24/224
- D427,691 S * 7/2000 Asselta D24/224
- D431,648 S * 10/2000 Jansen et al. D24/121

- D453,837 S * 2/2002 Lodge D24/224
- D482,794 S * 11/2003 Whitley D24/224

* cited by examiner

Primary Examiner—Louis S. Zarfes

Assistant Examiner—Anhdao Doan

(74) *Attorney, Agent, or Firm*—James G. O'Boyle

(57) **CLAIM**

The ornamental design for a high recovery vial, as shown and described.

DESCRIPTION

FIG. 1 is a front perspective view of a high recovery vial showing our new design;

FIG. 2 is a bottom perspective view of the vial shown in FIG. 1;

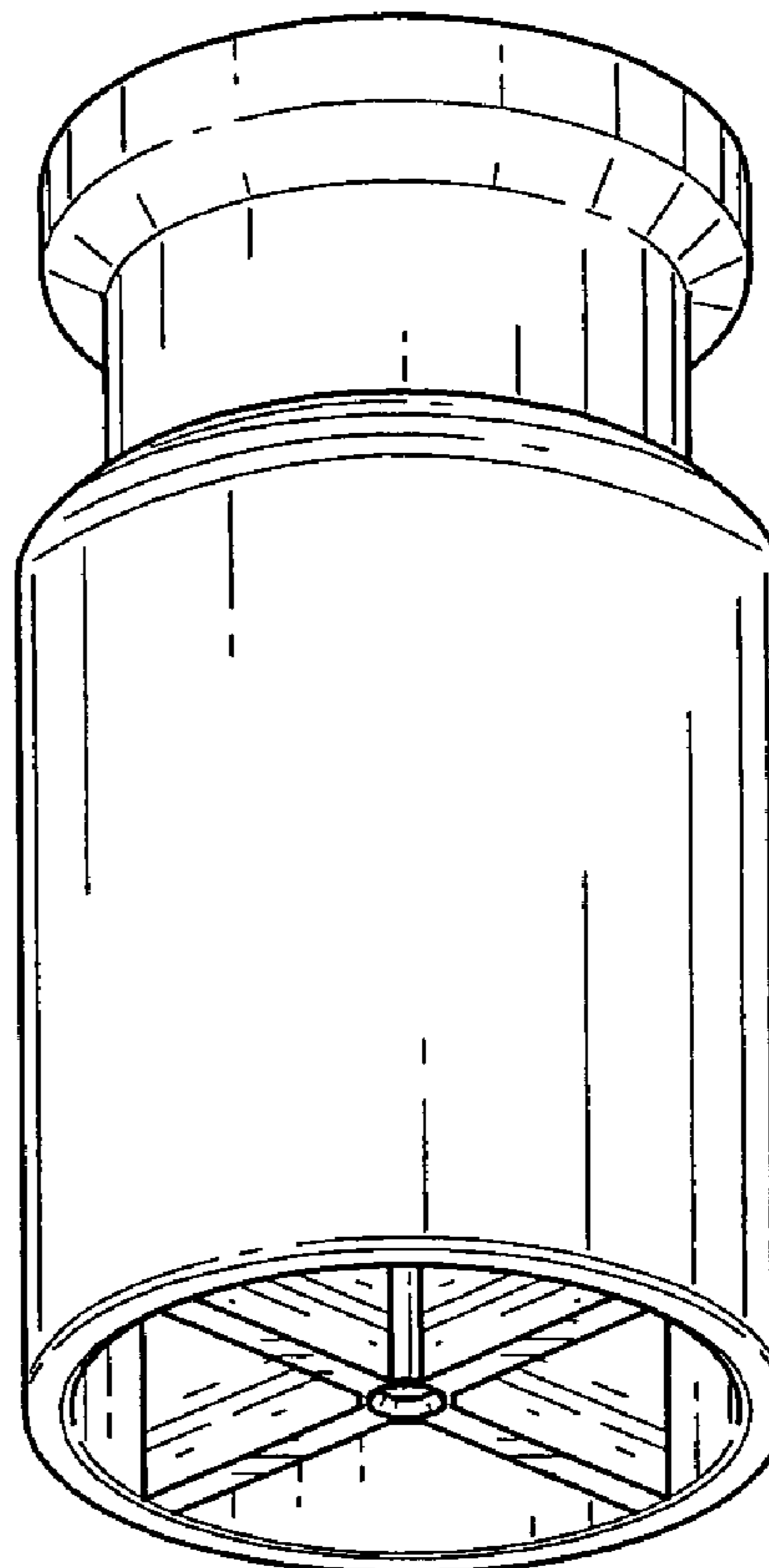
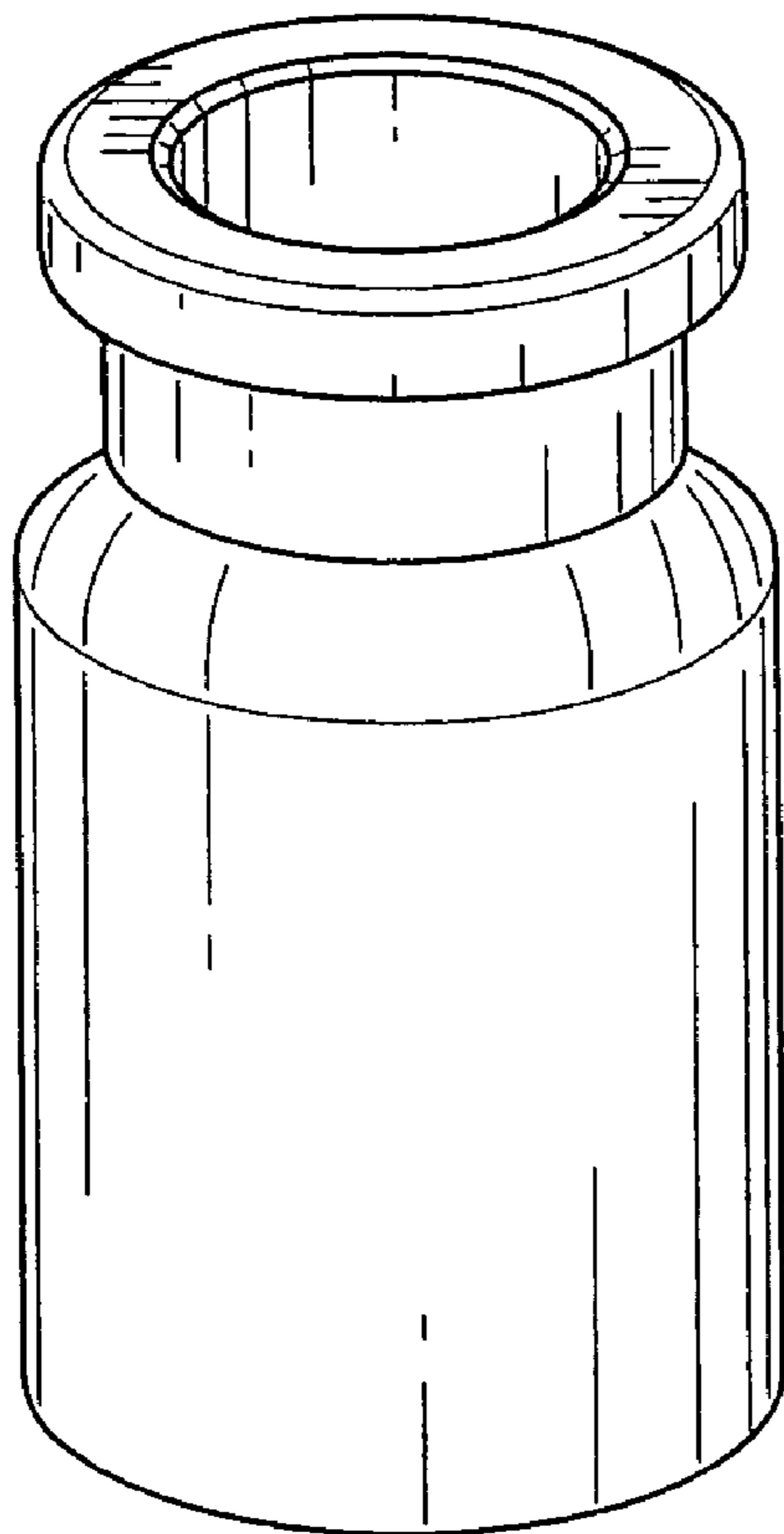
FIG. 3 is a side elevational view of the vial shown in FIG. 1;

FIG. 4 is a top plan view of the vial shown in FIG. 3;

FIG. 5 is a bottom plan view of the vial shown in FIG. 2; and,

FIG. 6 is a sectional side elevational view of the vial taken along line 6—6 of FIG. 5.

1 Claim, 2 Drawing Sheets



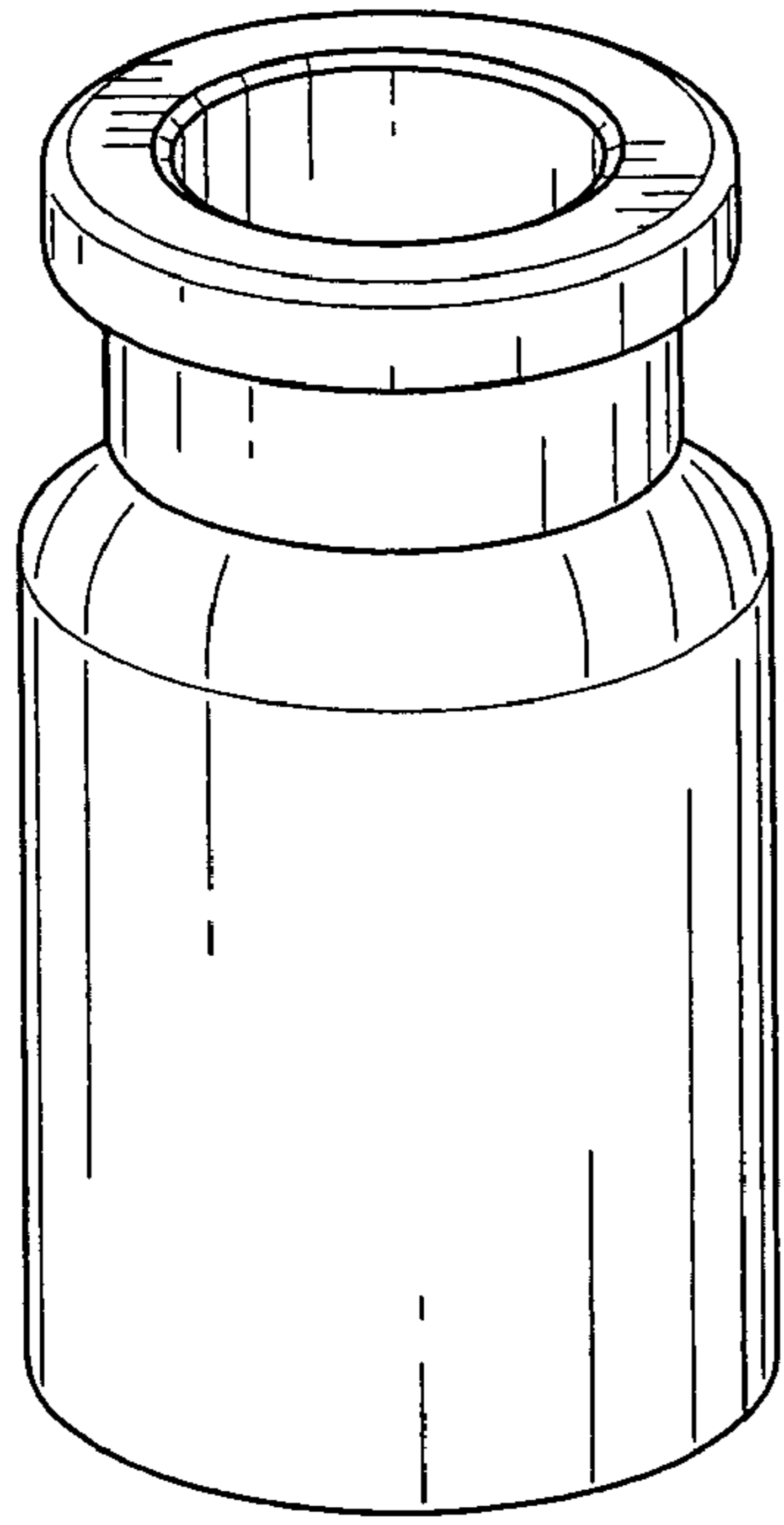


FIG. 1

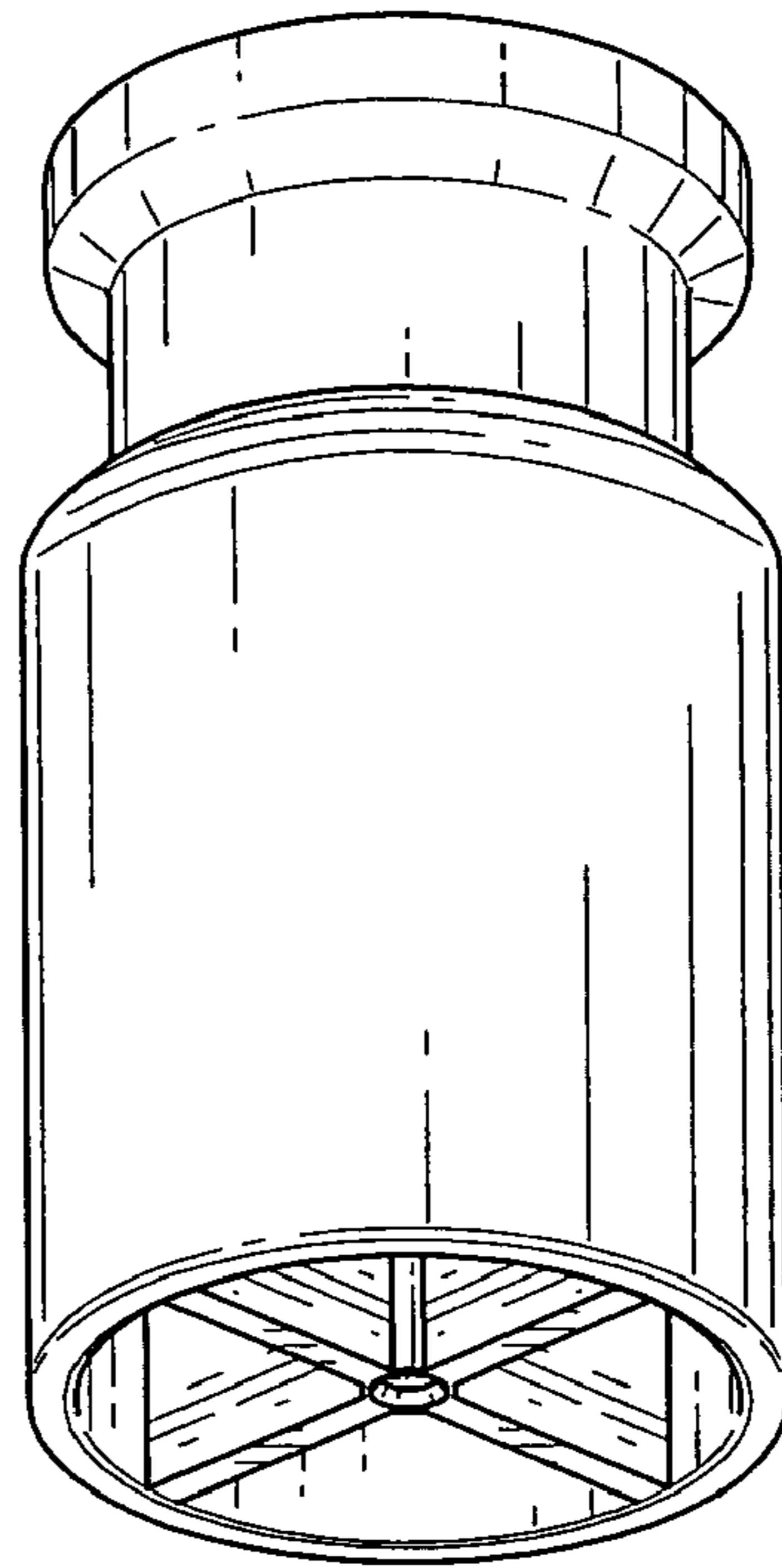


FIG. 2

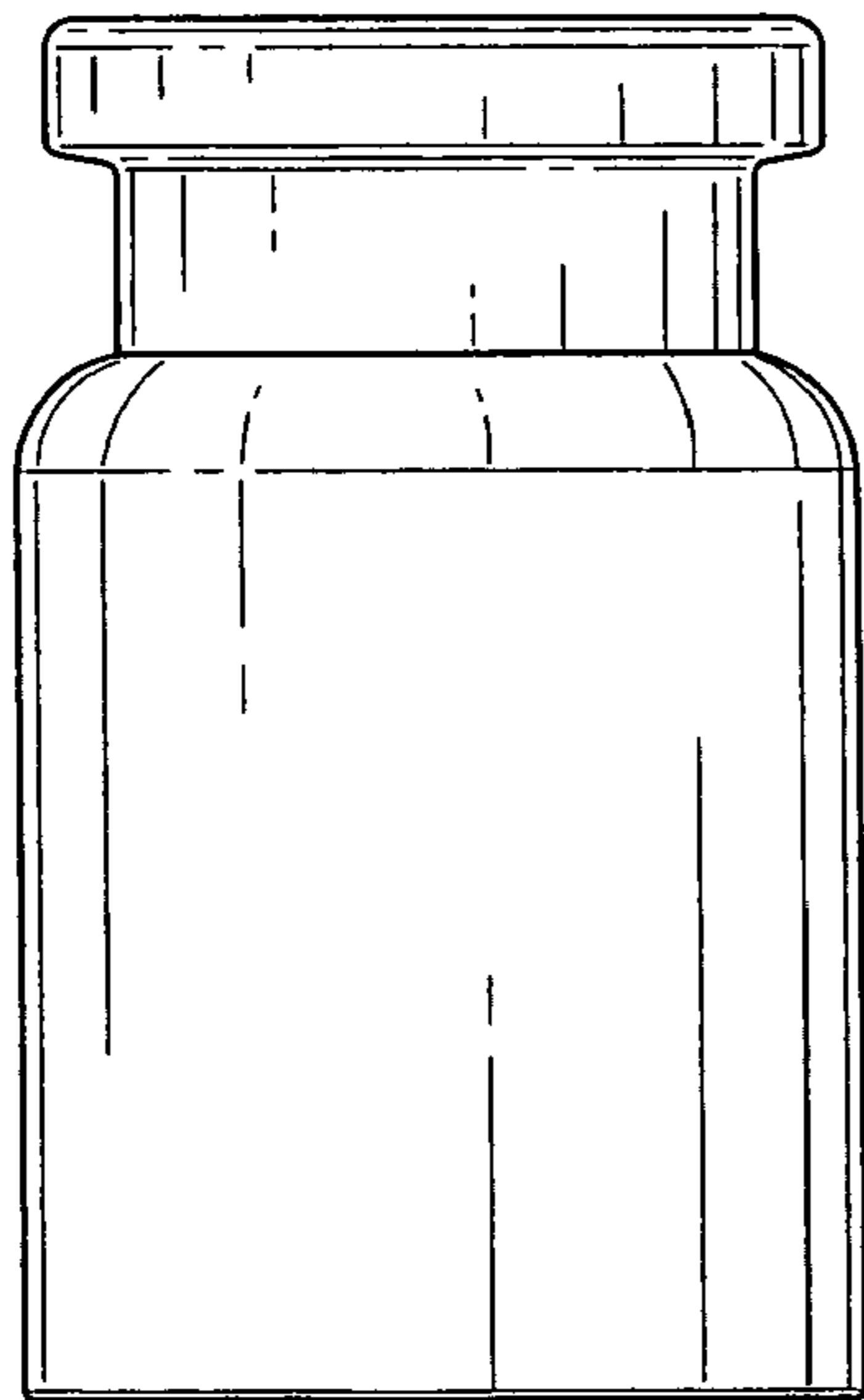


FIG. 3

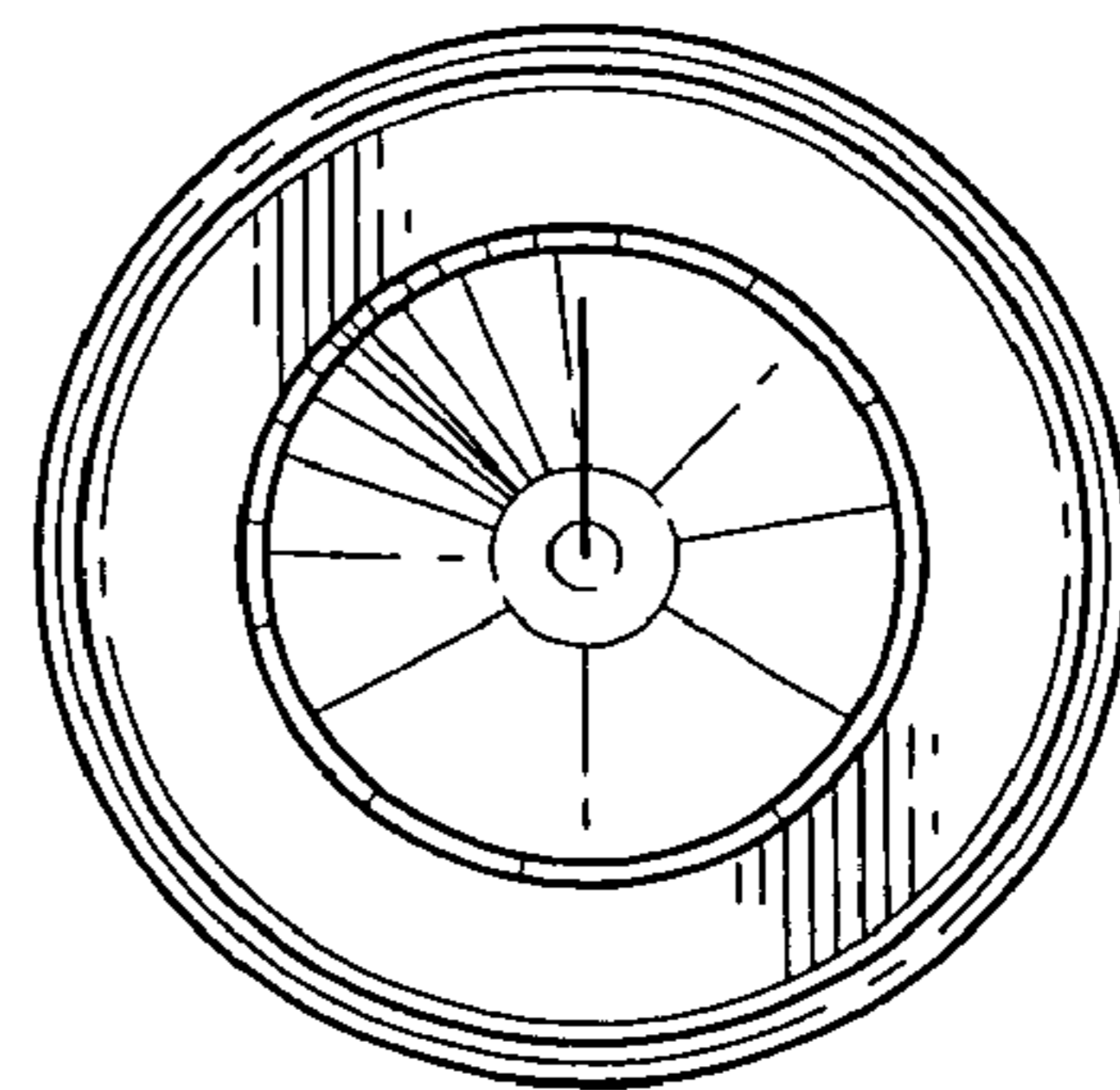


FIG. 4

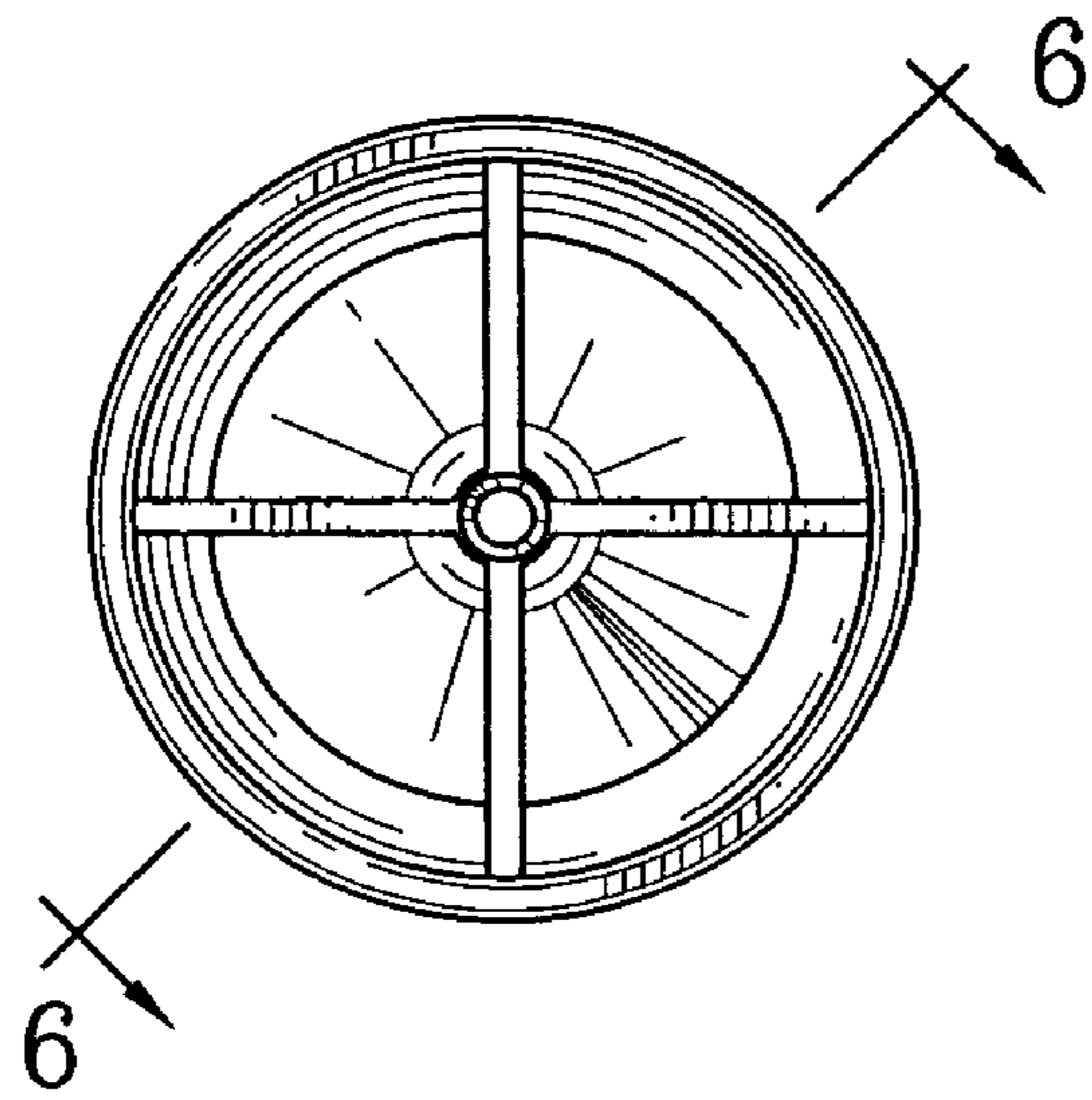


FIG. 5

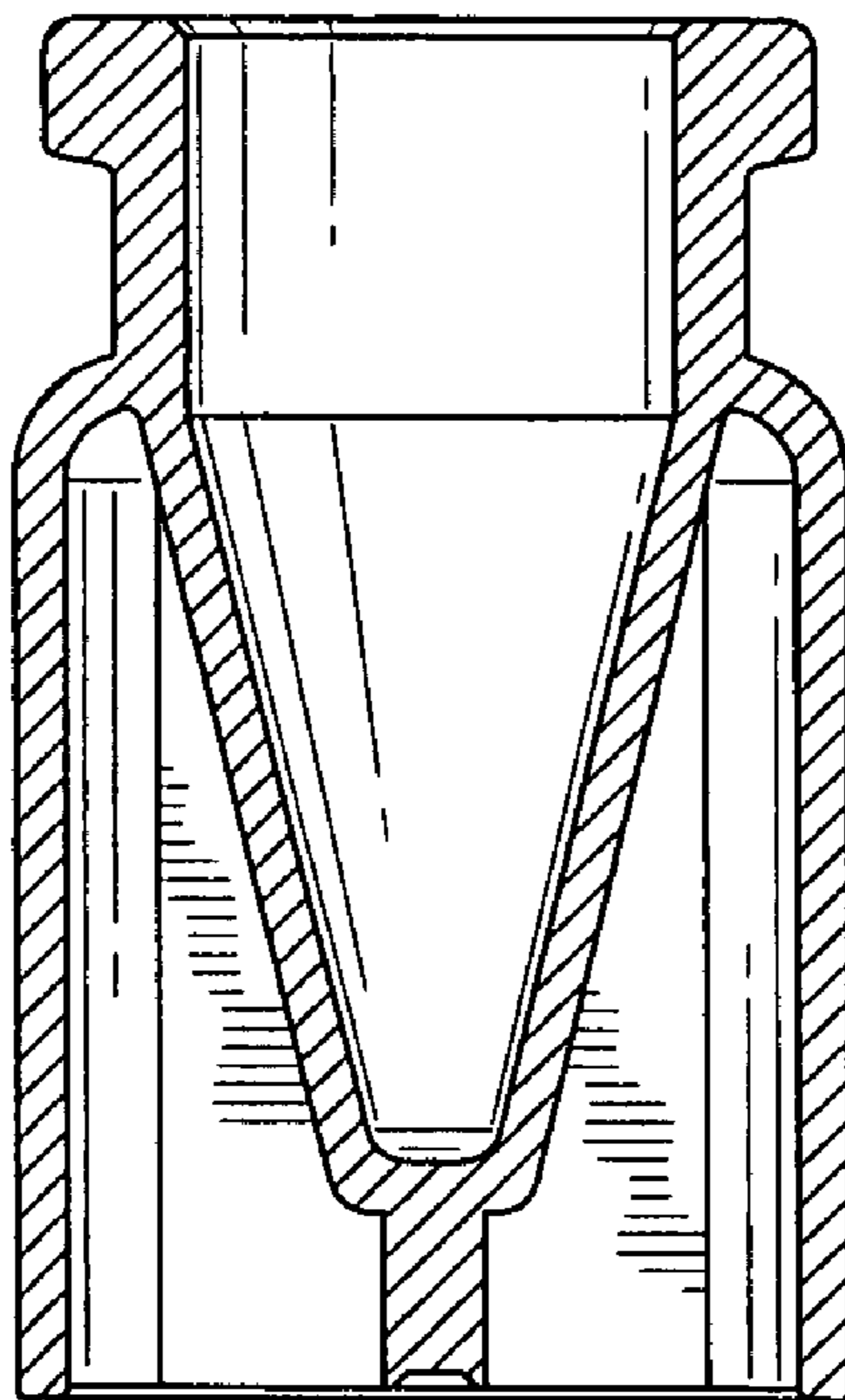


FIG. 6