

US00D567387S

(12) **United States Design Patent**  
**Nan**

(10) **Patent No.:** **US D567,387 S**

(45) **Date of Patent:** **\*\* Apr. 22, 2008**

(54) **VIBRATOR DEVICE**

(75) **Inventor:** **Simon Siu Man Nan**, Richmond Hill  
(CA)

(73) **Assignee:** **Nanma Manufacturing Co. Ltd.**, Chai  
Wan (HK)

(\*\*) **Term:** **14 Years**

(21) **Appl. No.:** **29/288,238**

(22) **Filed:** **Jun. 5, 2007**

(51) **LOC (8) Cl.** ..... **28-03**

(52) **U.S. Cl.** ..... **D24/215**

(58) **Field of Classification Search** ..... D24/200,  
D24/211-215; 601/15, 17, 18, 19-22, 84,  
601/85, 94, 102-104, 112-114, 131, 134,  
601/135

See application file for complete search history.

(56) **References Cited**

**U.S. PATENT DOCUMENTS**

- D249,893 S \* 10/1978 Armbruster et al. .... D24/211
- D262,908 S \* 2/1982 Pesco ..... D24/211
- D264,754 S \* 6/1982 Vitrac ..... D24/211

- D273,708 S \* 5/1984 Haug ..... D24/211
- D288,847 S \* 3/1987 Kaeser ..... D24/211
- 5,090,402 A \* 2/1992 Bazin et al. .... 601/17
- D346,660 S \* 5/1994 Chiang ..... D24/215

\* cited by examiner

*Primary Examiner*—Charles A. Rademaker

*Assistant Examiner*—Melanie Levy

(74) *Attorney, Agent, or Firm*—Peter S. Gilster;  
Greensfelder, Hemker & Gale, P.C.

(57) **CLAIM**

The ornamental design for a vibrator device, as shown and described.

**DESCRIPTION**

FIG. 1 is a front view of the vibrator device embodying my new design.

FIG. 2 is an opposing rear view thereof.

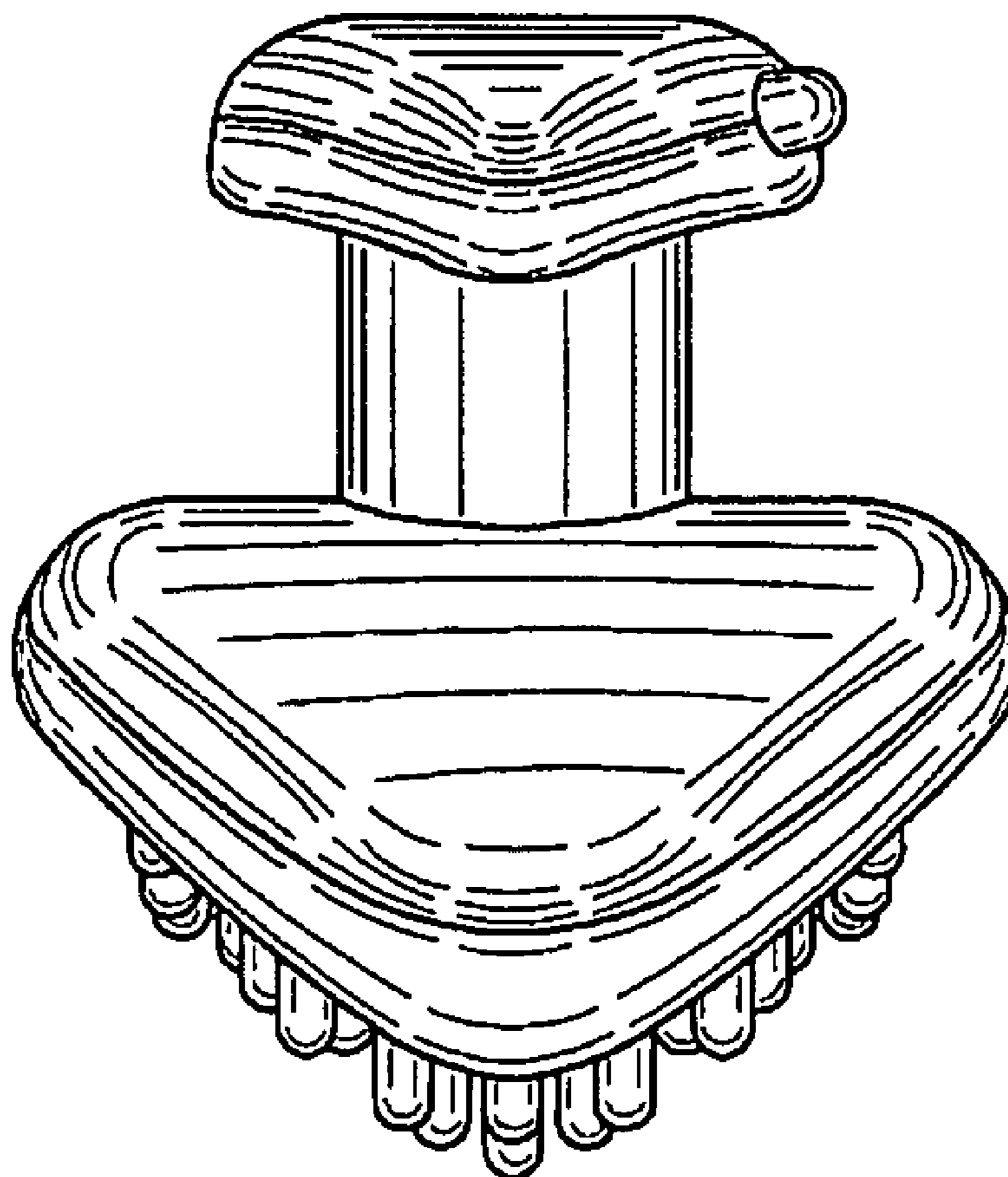
FIG. 3 is a right side view thereof.

FIG. 4 is a left side view thereof.

FIG. 5 is a top view thereof; and,

FIG. 6 is a bottom view thereof.

**1 Claim, 2 Drawing Sheets**



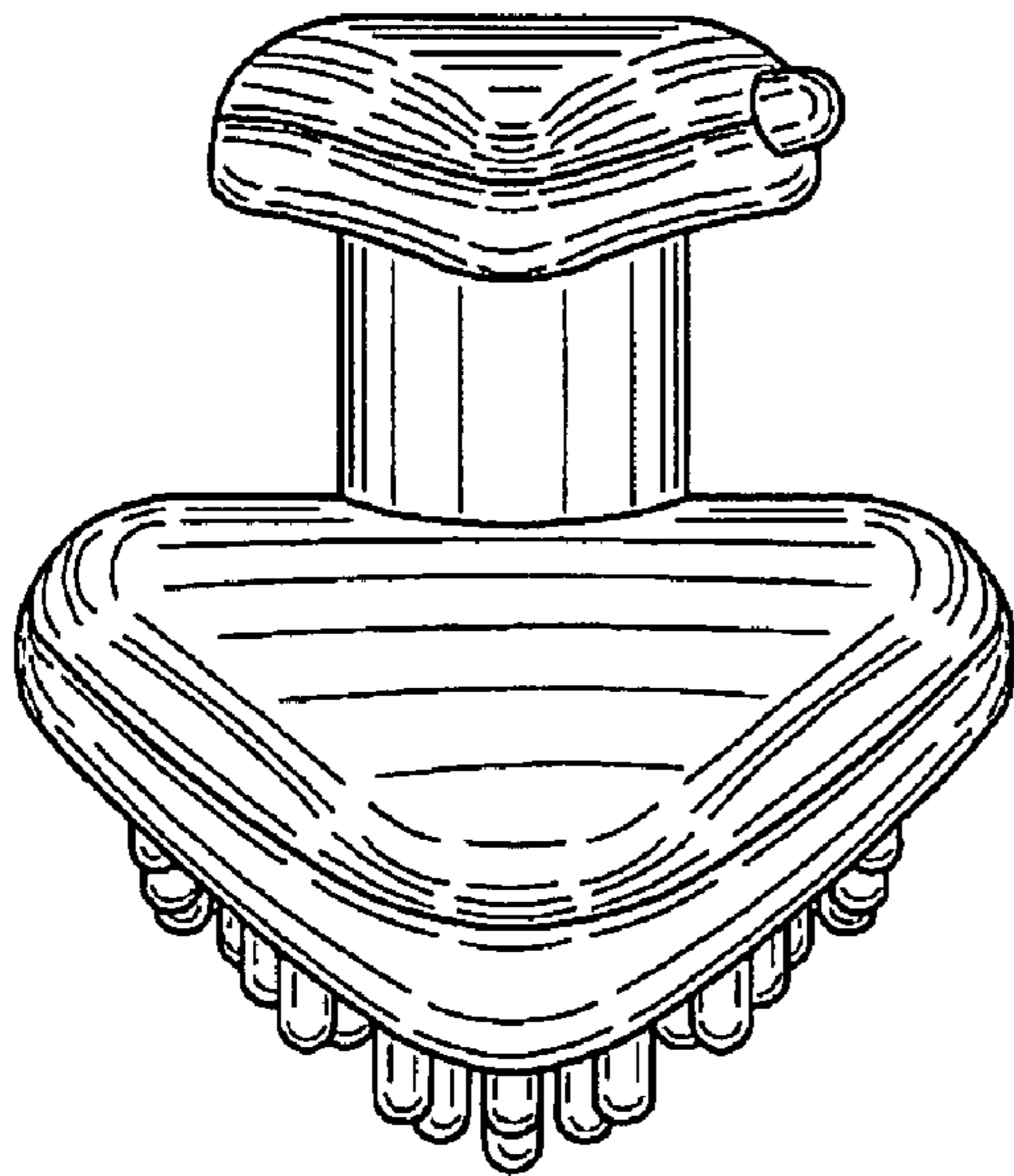


FIG. 1

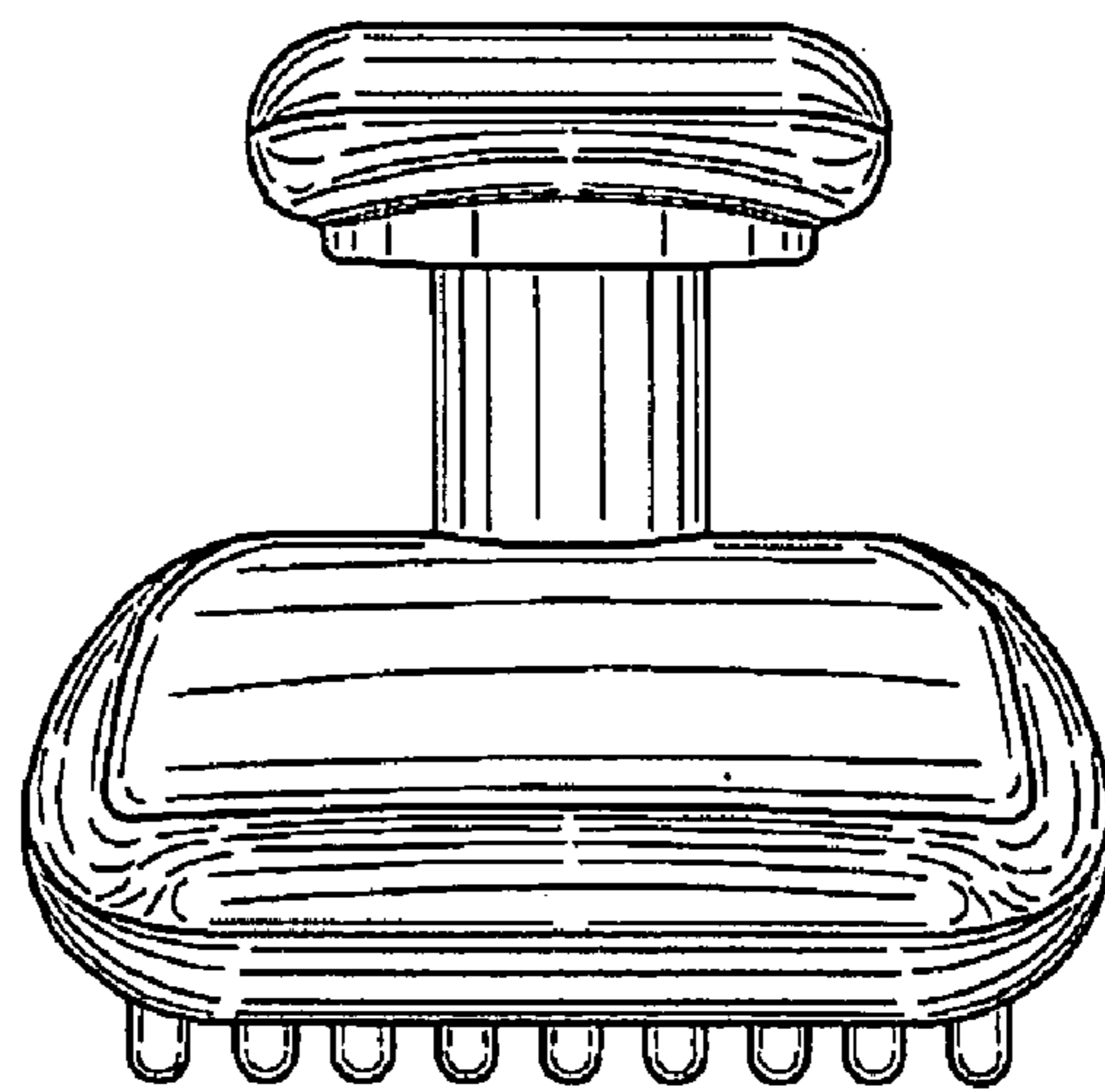


FIG. 2

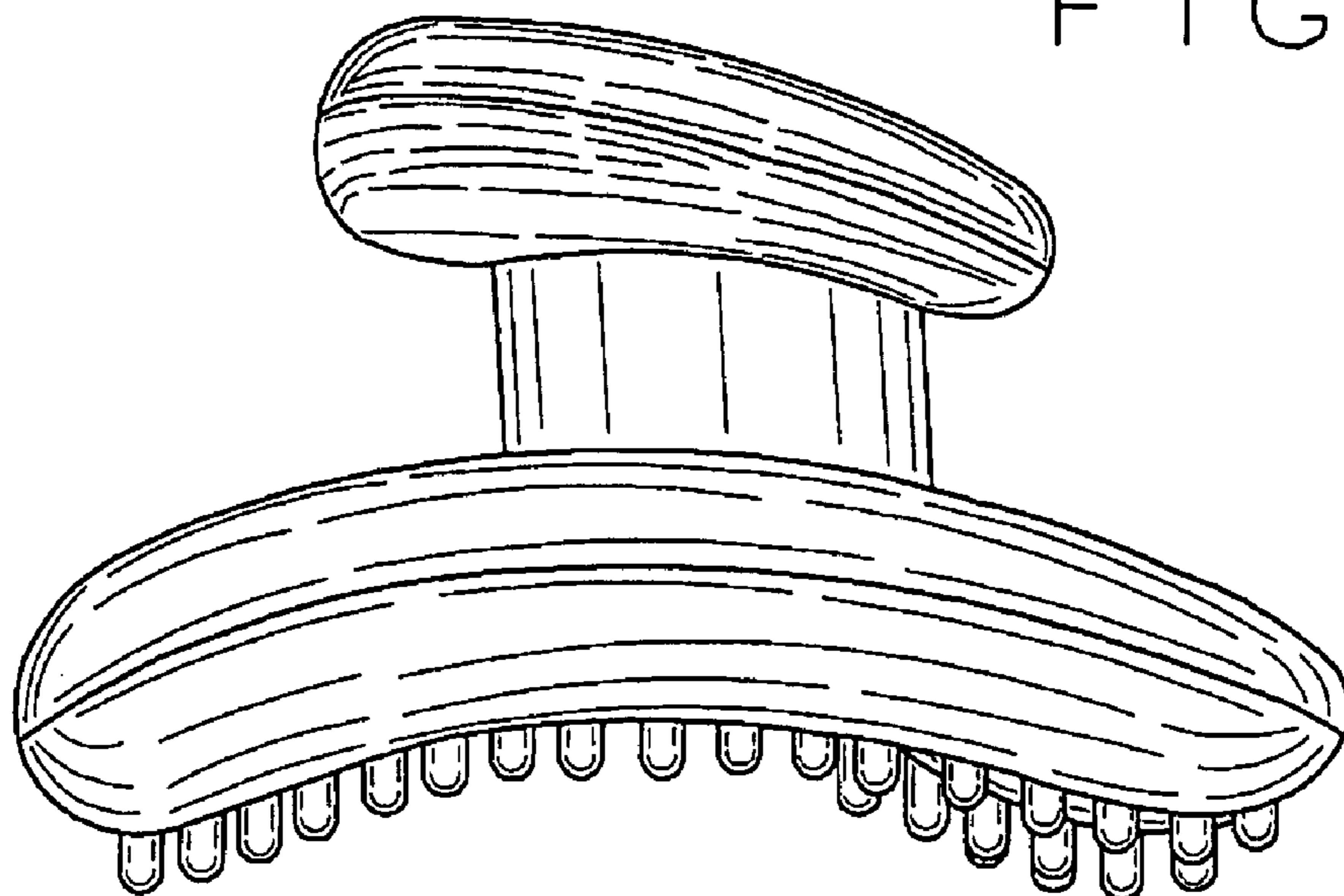


FIG. 3

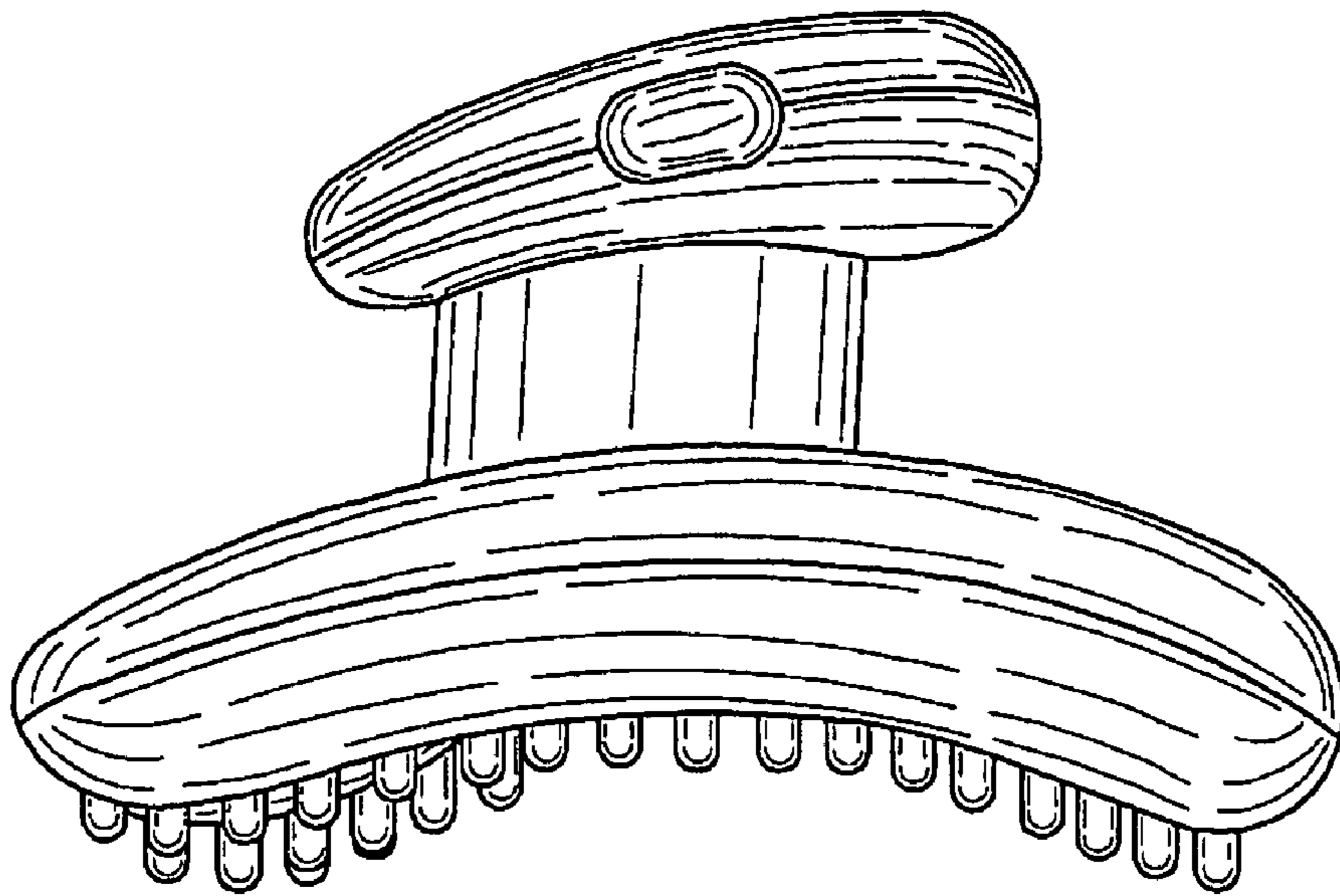


FIG. 4

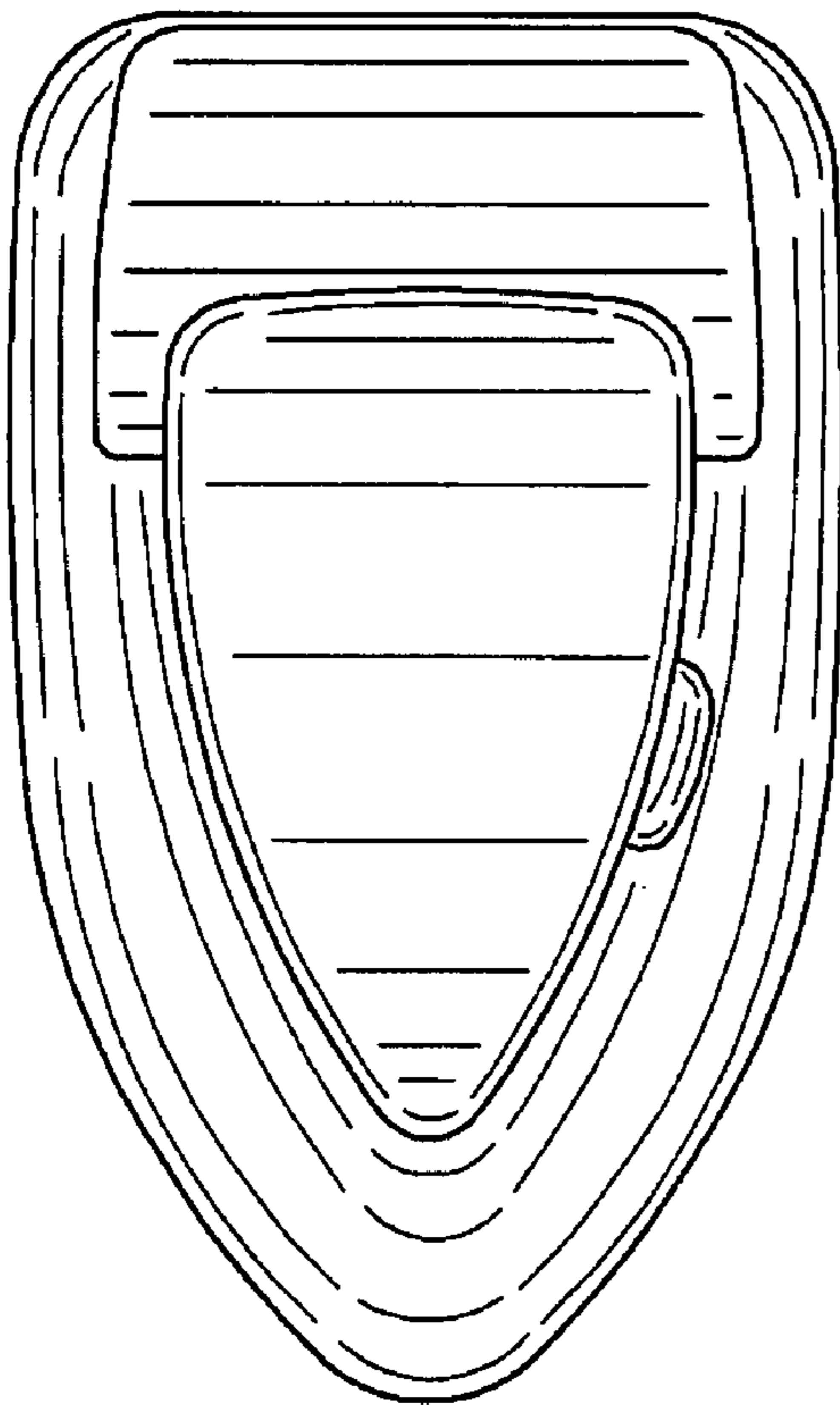


FIG. 5

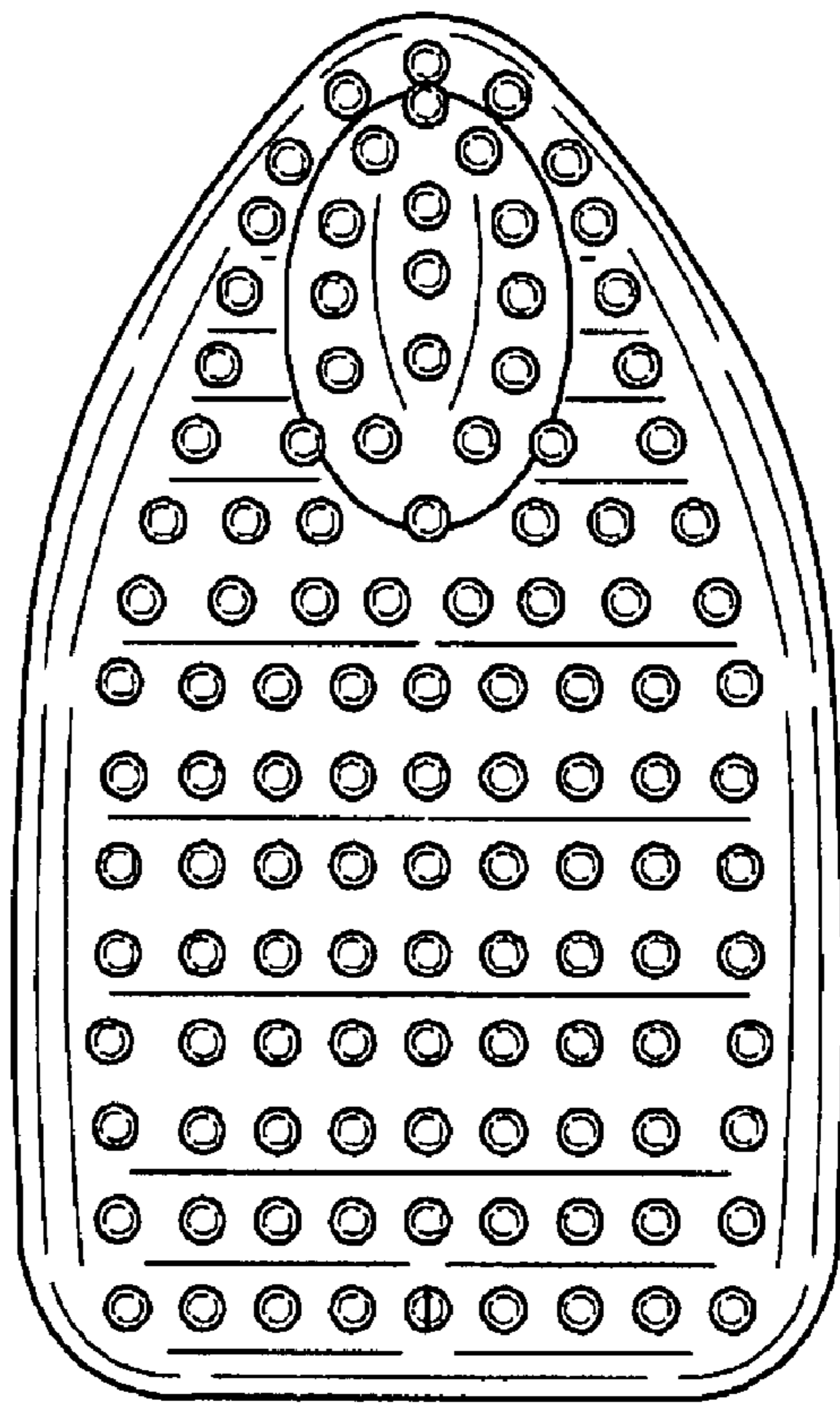


FIG. 6