

US00D567384S

(12) **United States Design Patent**  
**Sakulsacha et al.**

(10) **Patent No.:** **US D567,384 S**  
(45) **Date of Patent:** **\*\* Apr. 22, 2008**

- (54) **SILICONE SPOUT**
- (75) Inventors: **Pravin Sakulsacha**, Bangkok (TH);  
**Rungkam Chalermwinsuekun**,  
Bangkok (TH)
- (73) Assignee: **Royal King Infant Products Co., Ltd.**,  
Bangkok (TH)
- (\*\*) Term: **14 Years**
- (21) Appl. No.: **29/278,117**
- (22) Filed: **Mar. 20, 2007**
- (51) **LOC (8) Cl.** ..... **24-04**
- (52) **U.S. Cl.** ..... **D24/196; D24/194**
- (58) **Field of Classification Search** ..... D24/193-199;  
D7/392, 392.1, 507-511, 514, 515, 534, 900;  
D9/447, 504, 519; 220/23.83-23.84, 603,  
220/705, 713, 771; 215/2, 6, 11.1-11.6,  
215/227, 287, 311, 365, 386-388, 390, 396,  
215/398-399; 606/236; 446/75-77, 227;  
248/102; 604/78

- 5,881,893 A 3/1999 Manganiello
- D417,735 S \* 12/1999 Ford ..... D24/193
- D421,127 S \* 2/2000 Garcia ..... D24/196
- D434,944 S \* 12/2000 Randolph ..... D7/510
- 6,161,710 A 12/2000 Dieringer et al.
- D444,239 S 6/2001 Kobayashi et al.
- 6,241,110 B1 6/2001 Hakim
- D445,193 S \* 7/2001 Manganiello et al. .... D24/193
- D463,567 S 9/2002 Morano
- D479,606 S 9/2003 Randolph
- 6,645,228 B2 11/2003 Renz
- 6,745,912 B2 6/2004 Uehara et al.
- 6,994,225 B2 2/2006 Hakim
- 7,122,045 B2 10/2006 Randolph et al.
- 7,134,564 B2 11/2006 Verbovszky
- 2002/0030029 A1 3/2002 Hakim

\* cited by examiner

*Primary Examiner*—Stella M. Reid  
*Assistant Examiner*—Susan E Krakower  
(74) *Attorney, Agent, or Firm*—Davis Bujold & Daniels,  
P.L.L.C.

(57) **CLAIM**

We claim the ornamental design for a silicone spout, as shown and described.

**DESCRIPTION**

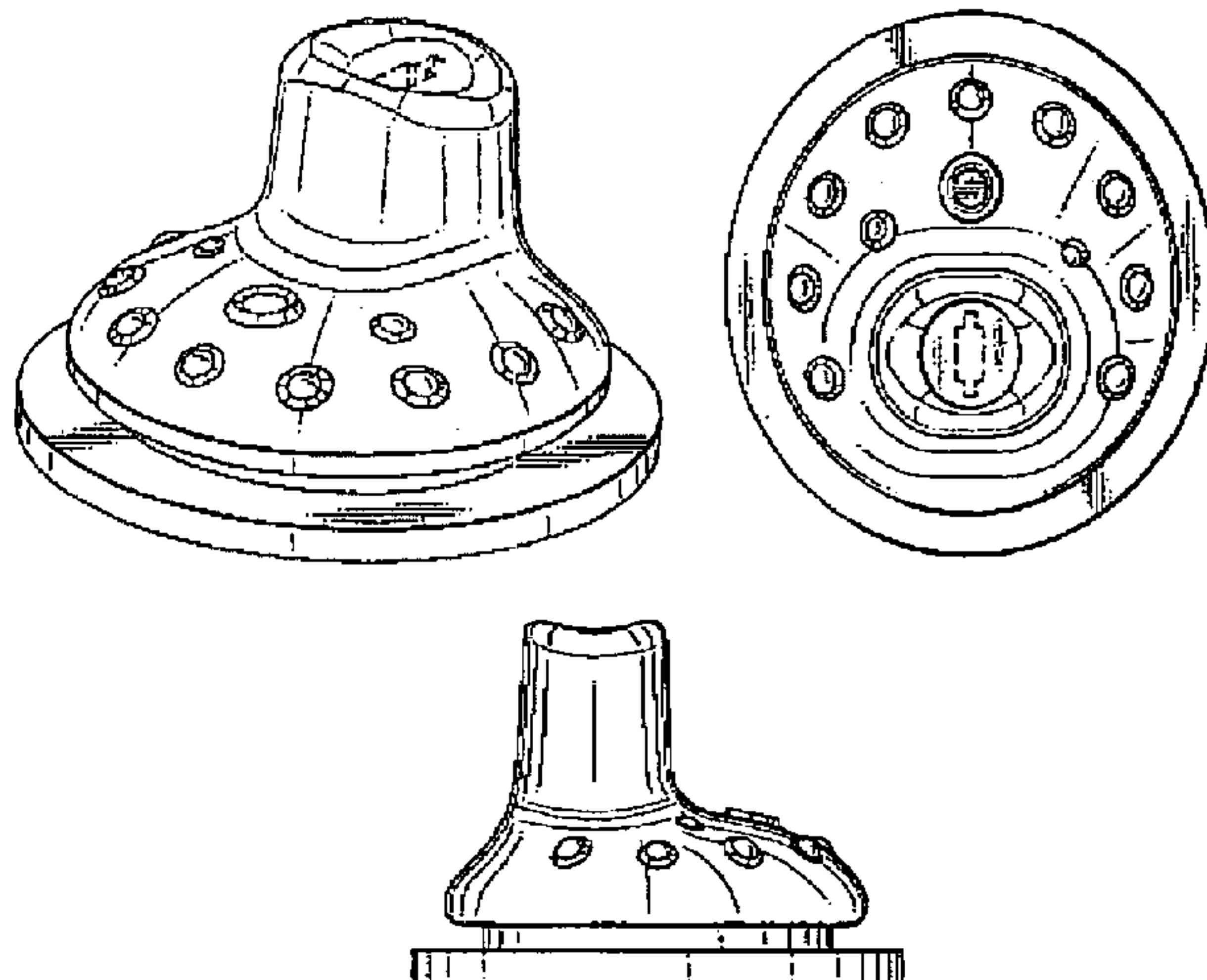
FIG. 1 is a rear perspective view of a silicone spout embodying our new design;  
FIG. 2 is a front perspective view thereof;  
FIG. 3 is a front elevational view thereof;  
FIG. 4 is a bottom plan view thereof;  
FIG. 5 is a top plan view thereof;  
FIG. 6 is a left side elevational view thereof;  
FIG. 7 is a right side elevational view thereof; and,  
FIG. 8 is a rear elevational view thereof.

The broken lines showing the spout opening are intended for the purpose of showing structure that is not part of the design but necessary to show the environment with which the design is associated.

**1 Claim, 2 Drawing Sheets**

(56) **References Cited**  
U.S. PATENT DOCUMENTS

- D31,232 S 7/1899 Pearl
- 1,902,433 A 3/1933 Brown
- 2,366,214 A 1/1945 Ramaker
- 2,388,915 A 11/1945 Hellborn
- 2,822,102 A 2/1958 Holland
- 2,831,569 A 4/1958 Cagle
- D243,366 S 2/1977 Lybe et al.
- D259,231 S \* 5/1981 Kozlow, Sr. .... D7/392.1
- D300,462 S \* 3/1989 English et al. .... D24/194
- D305,459 S \* 1/1990 Smith ..... D24/196
- D310,567 S \* 9/1990 Fitzpatrick ..... D24/197
- D324,105 S \* 2/1992 Forrer ..... D24/196
- 5,101,992 A 4/1992 Serre
- 5,244,105 A 9/1993 Serre
- D346,865 S 5/1994 Gregory
- D381,753 S \* 7/1997 Ellenberger et al. .... D24/196
- D387,247 S \* 12/1997 Randolph ..... D7/510
- D405,530 S 2/1999 Manganiello et al.



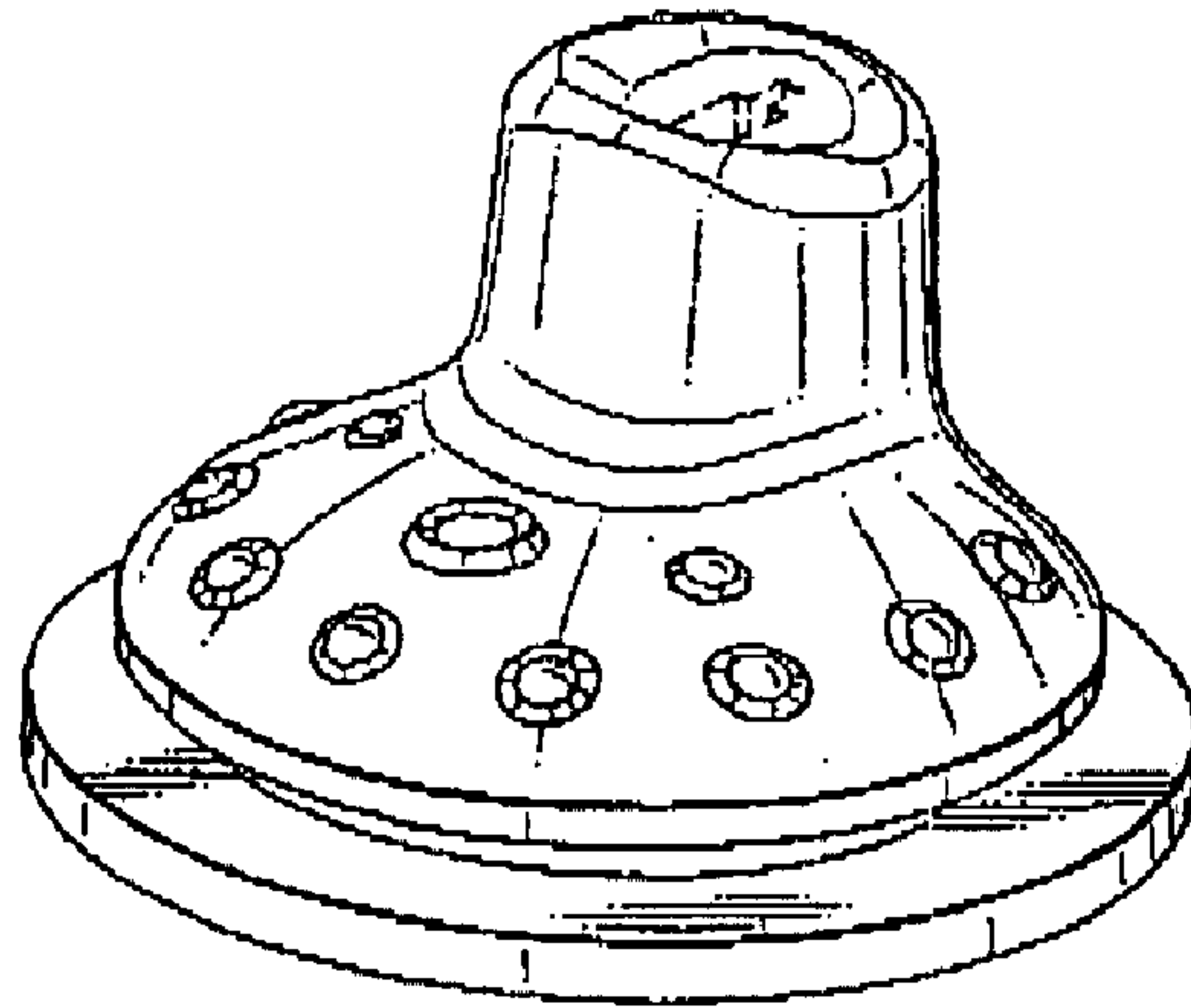


FIG. 1

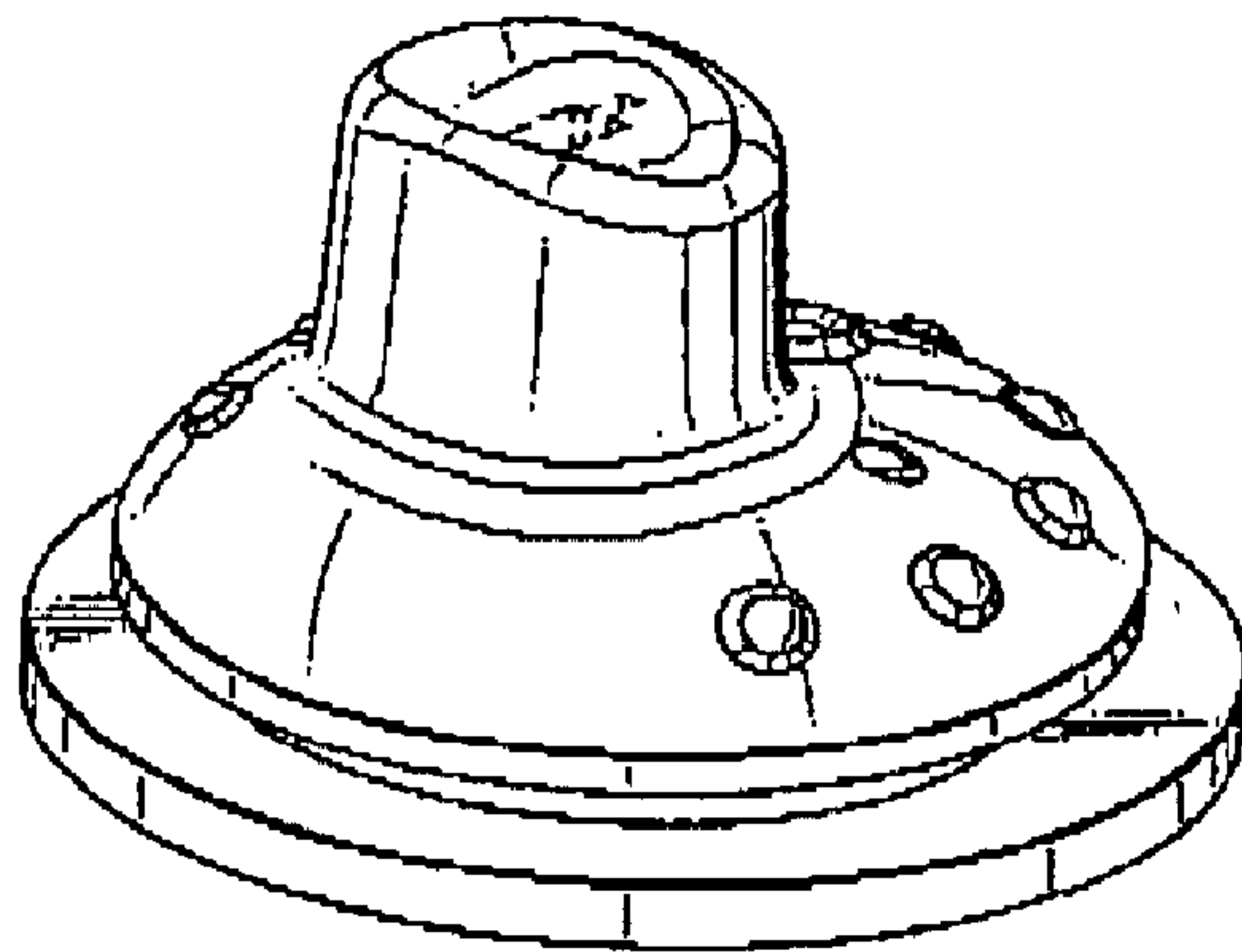


FIG. 2

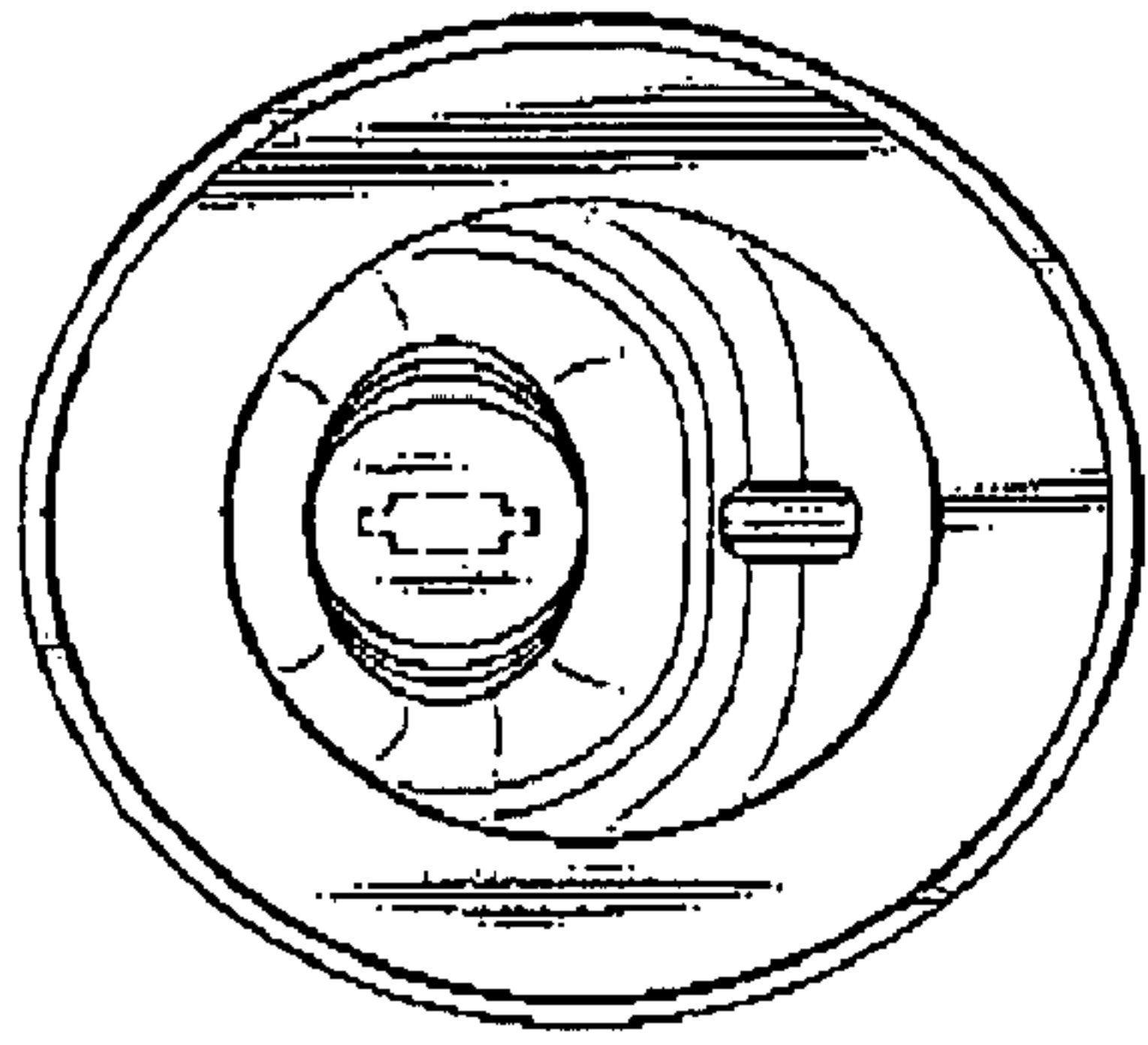


FIG. 4

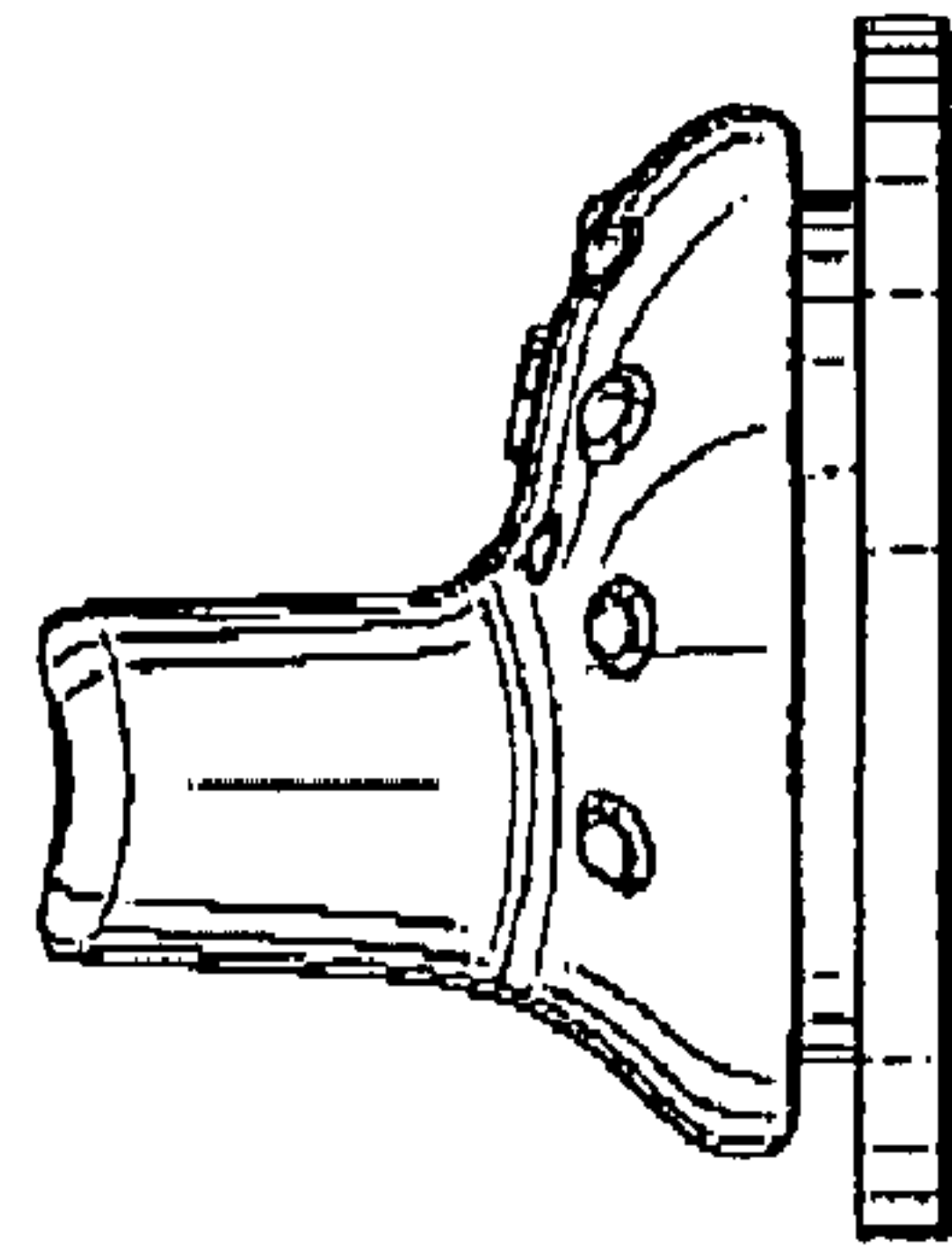


FIG. 6

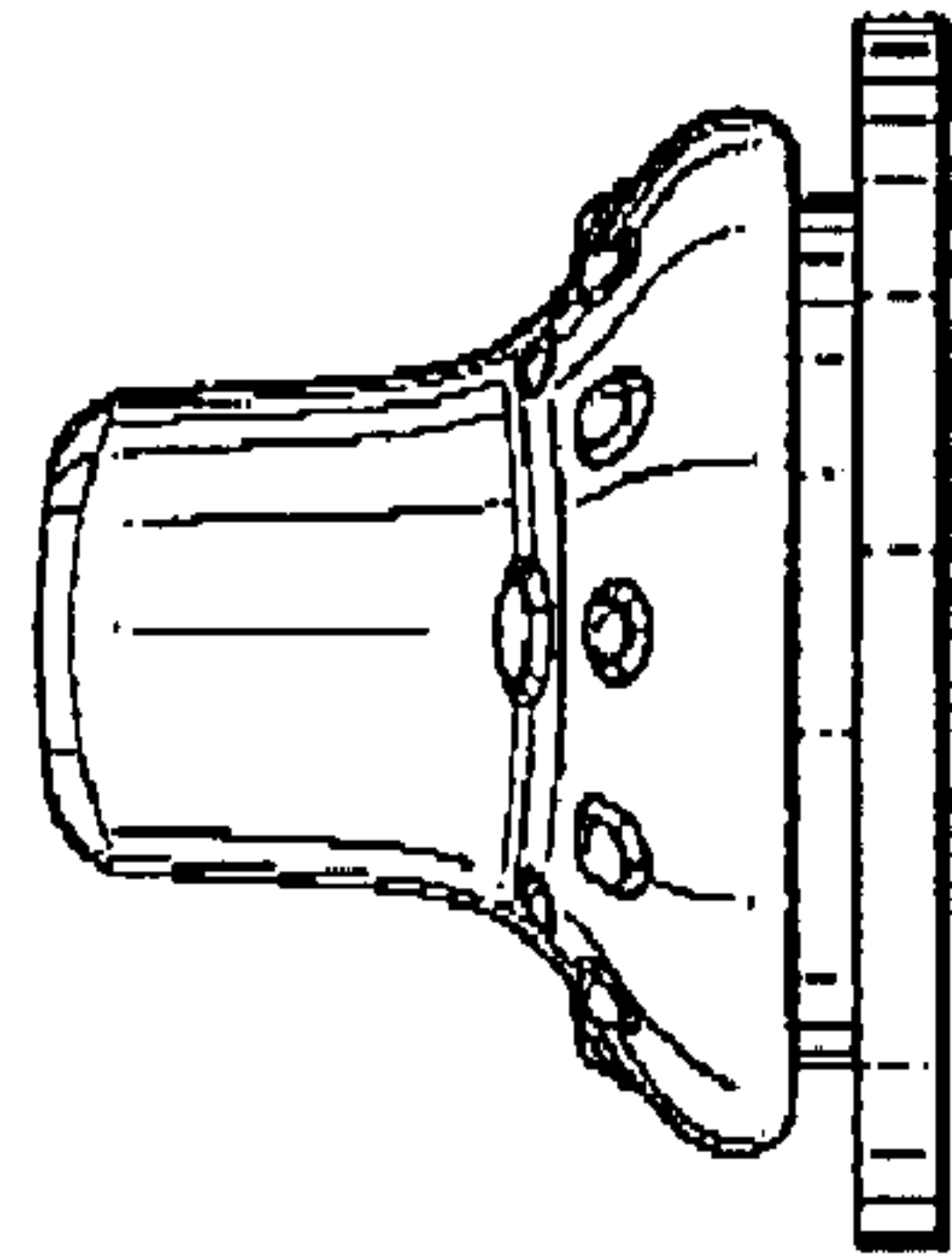


FIG. 8

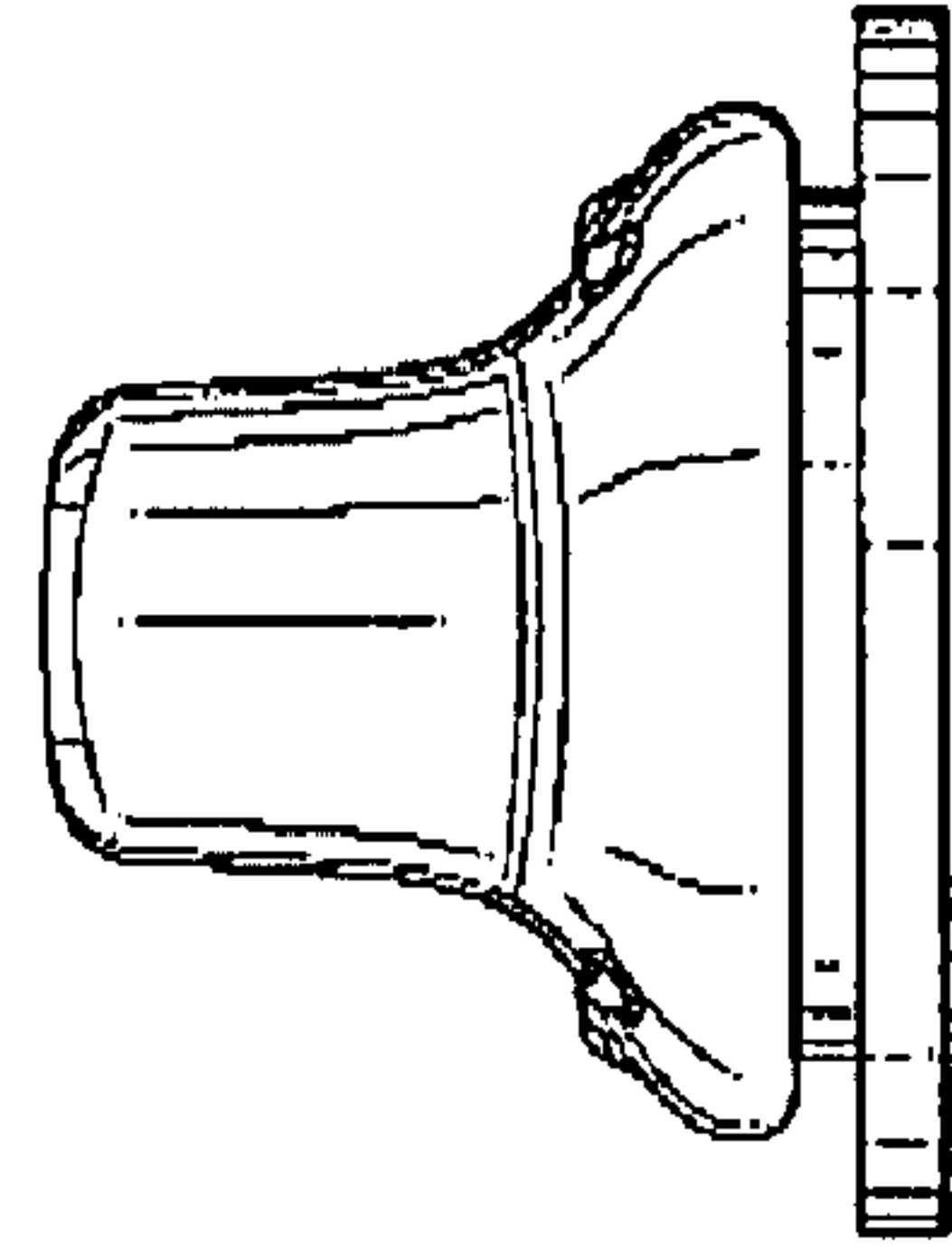


FIG. 3

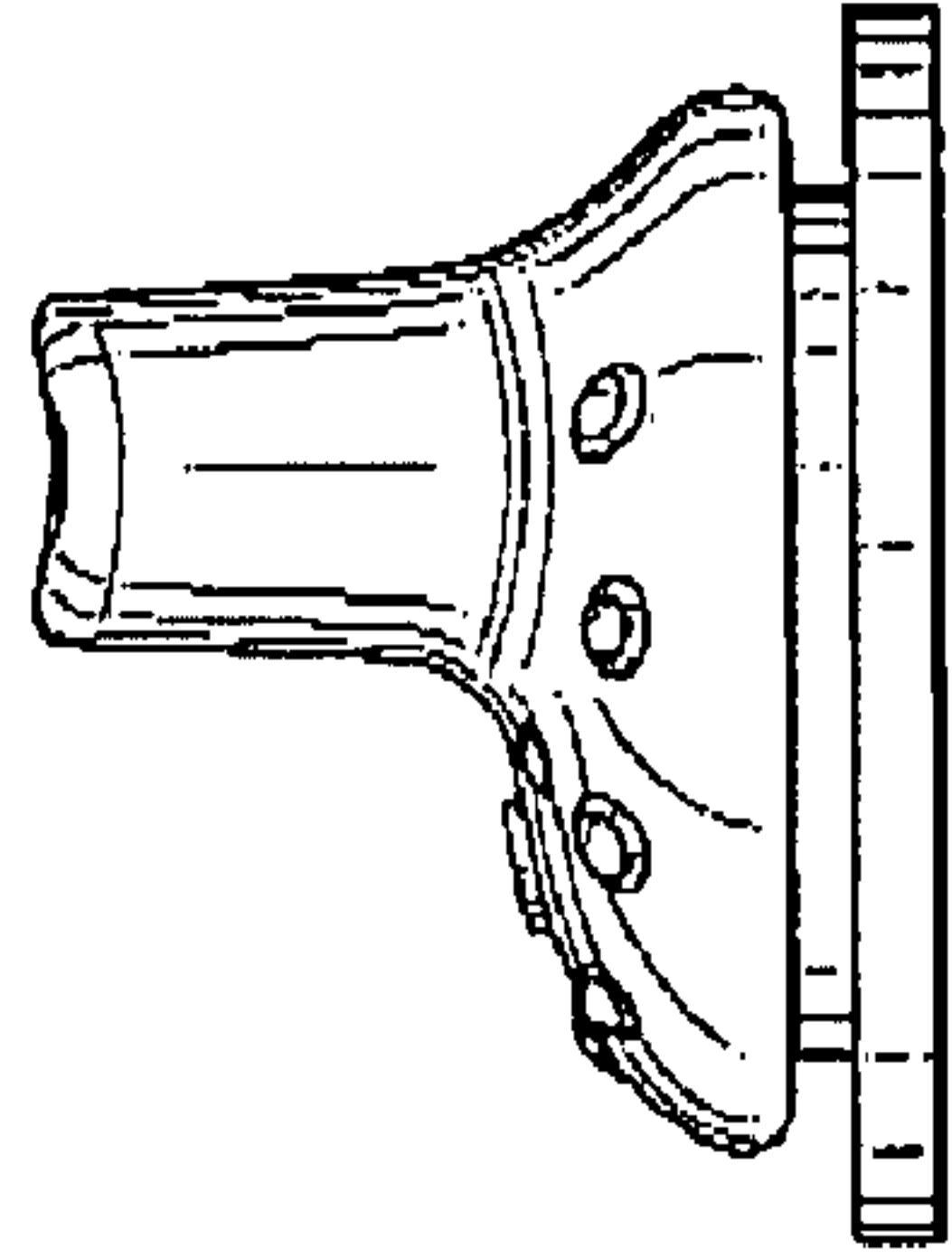


FIG. 7

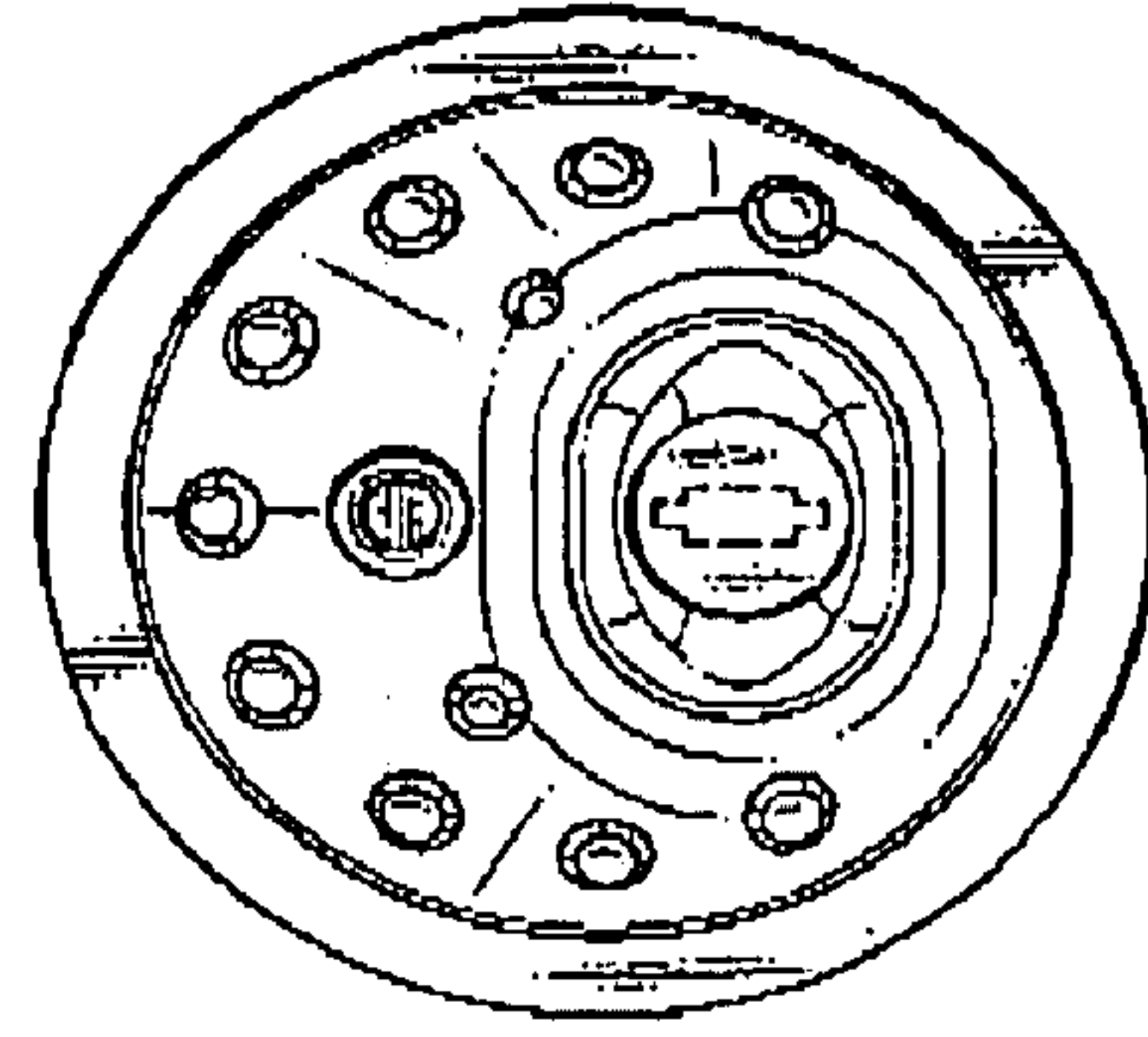


FIG. 5