



US00D567383S

(12) **United States Design Patent**
Rohrig

(10) **Patent No.:** **US D567,383 S**

(45) **Date of Patent:** **** Apr. 22, 2008**

(54) **PACIFIER**

(75) Inventor: **Peter Rohrig**, Vienna (AT)

(73) Assignee: **MAM Babyartikel Gesellschaft**,
Vienna (AT)

(**) Term: **14 Years**

(21) Appl. No.: **29/271,275**

(22) Filed: **Jan. 12, 2007**

(30) **Foreign Application Priority Data**

Jul. 13, 2006 (AT) A1193/2006

(51) **LOC (8) Cl.** **24-04**

(52) **U.S. Cl.** **D24/194**

(58) **Field of Classification Search** D24/193-199;
606/234-236.2; 24/301; 215/11.1-11.6;
248/102-107; 128/359-360; D9/436
See application file for complete search history.

(56) **References Cited**

U.S. PATENT DOCUMENTS

2,831,484	A *	4/1958	Garner	215/11.1
3,913,402	A *	10/1975	Doyle	374/151
3,924,621	A *	12/1975	Cassimally	606/236
4,545,378	A *	10/1985	Chrones	606/236
D288,241	S *	2/1987	Fuller	D24/196
D336,520	S *	6/1993	McDaniel	D24/194
D339,197	S *	9/1993	Ziegler	D24/196
D370,976	S *	6/1996	Lin	D24/194
D376,014	S *	11/1996	McKenney	D24/194
5,810,000	A *	9/1998	Stevens	128/200.26

D418,604	S *	1/2000	Burym et al.	D24/194
6,041,950	A *	3/2000	Soehnlein	215/11.1
6,203,566	B1 *	3/2001	Alanen et al.	606/234
6,454,788	B1 *	9/2002	Ashton	606/234
7,029,491	B2 *	4/2006	Davis	606/234
2002/0055760	A1 *	5/2002	Avital	606/234
2004/0059382	A1 *	3/2004	Bergersen	606/234
2007/0027478	A1 *	2/2007	Tesini et al.	606/234

* cited by examiner

Primary Examiner—Robert M. Spear

Assistant Examiner—Susan E Krakower

(74) *Attorney, Agent, or Firm*—Ladas and Parry LLP

(57) **CLAIM**

I claim the ornamental design for a pacifier, as shown and described.

DESCRIPTION

FIG. 1 is a top plan view of a pacifier showing my new design;

FIG. 2 is a top perspective view thereof;

FIG. 3 is a front elevational view, the back elevational view being a mirror image thereof;

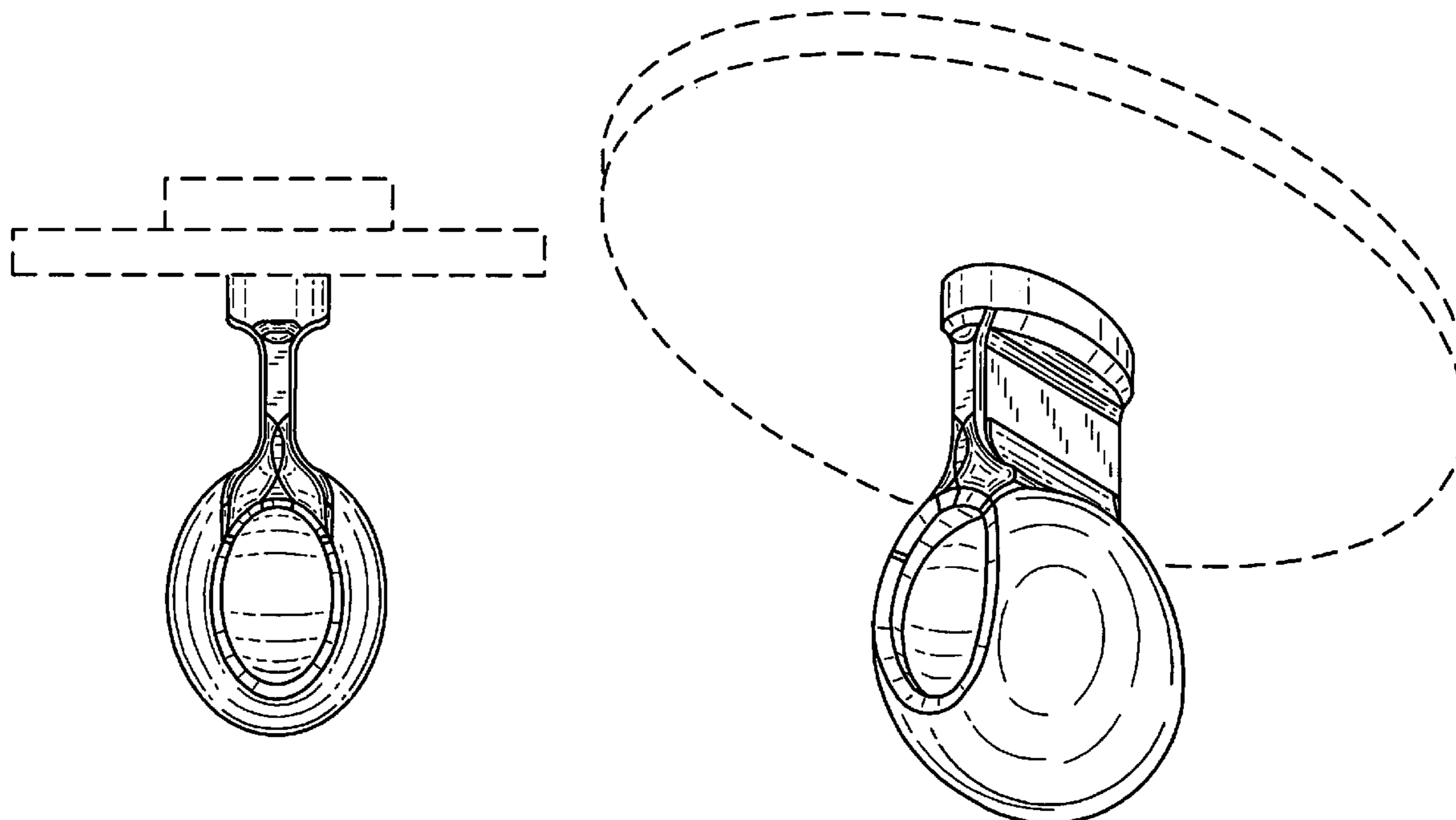
FIG. 4 is a left side elevational view, the right side elevational view being a mirror image thereof;

FIG. 5 is a bottom perspective view thereof; and,

FIG. 6 is a bottom plan view thereof.

The broken line showing of a shield, illustrates unclaimed environmental structure.

1 Claim, 3 Drawing Sheets



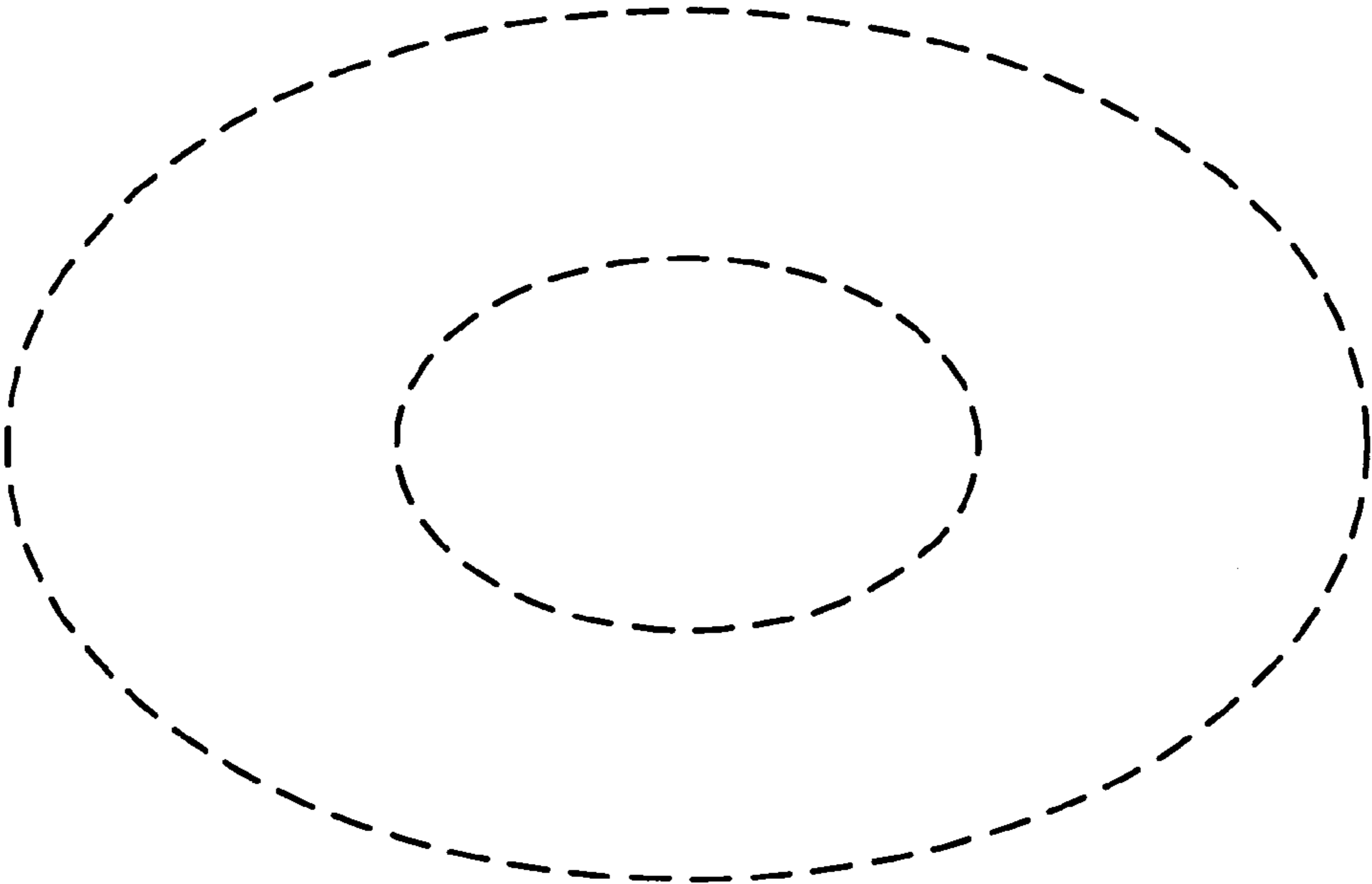


FIG. 1

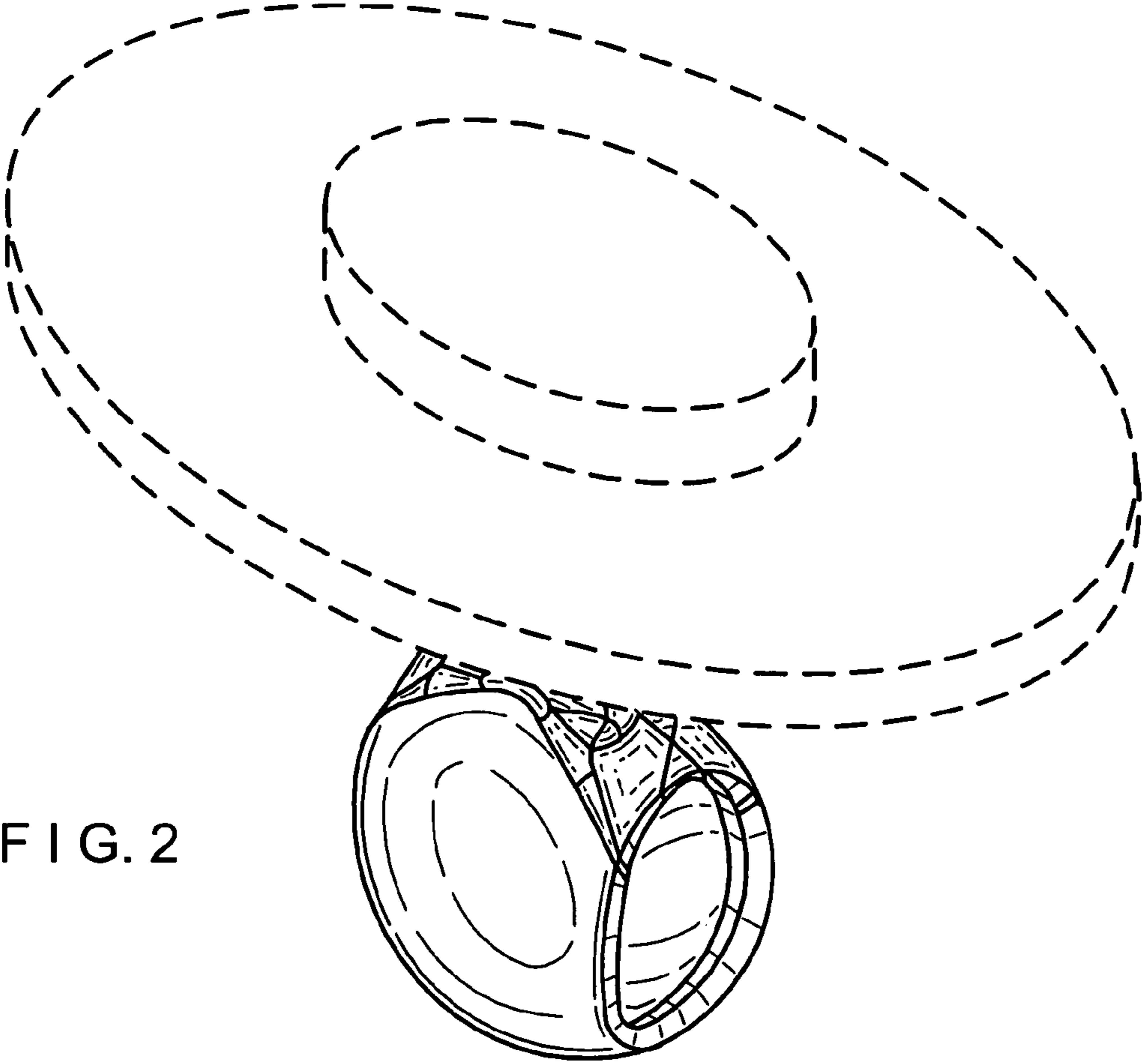


FIG. 2

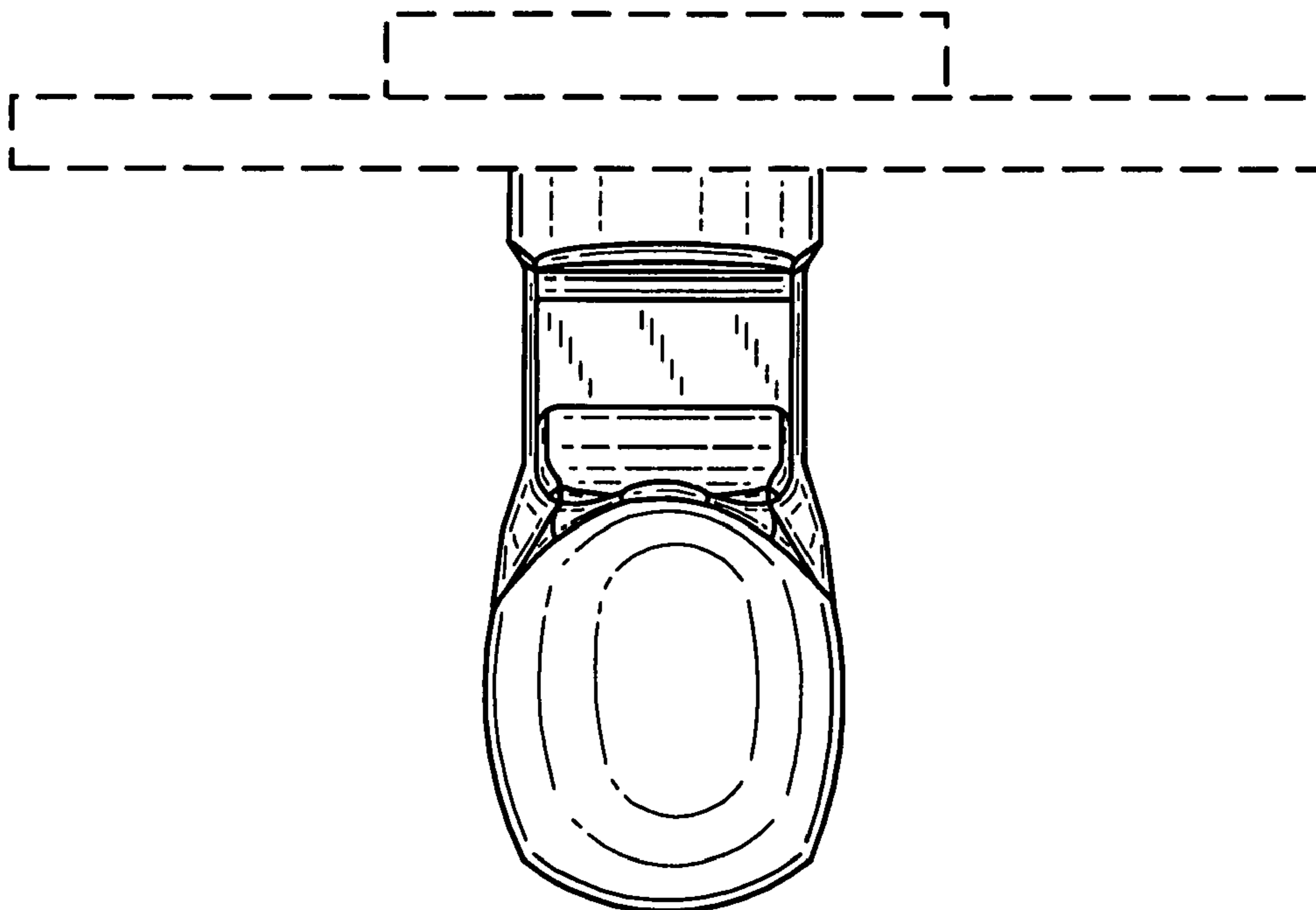


FIG. 3

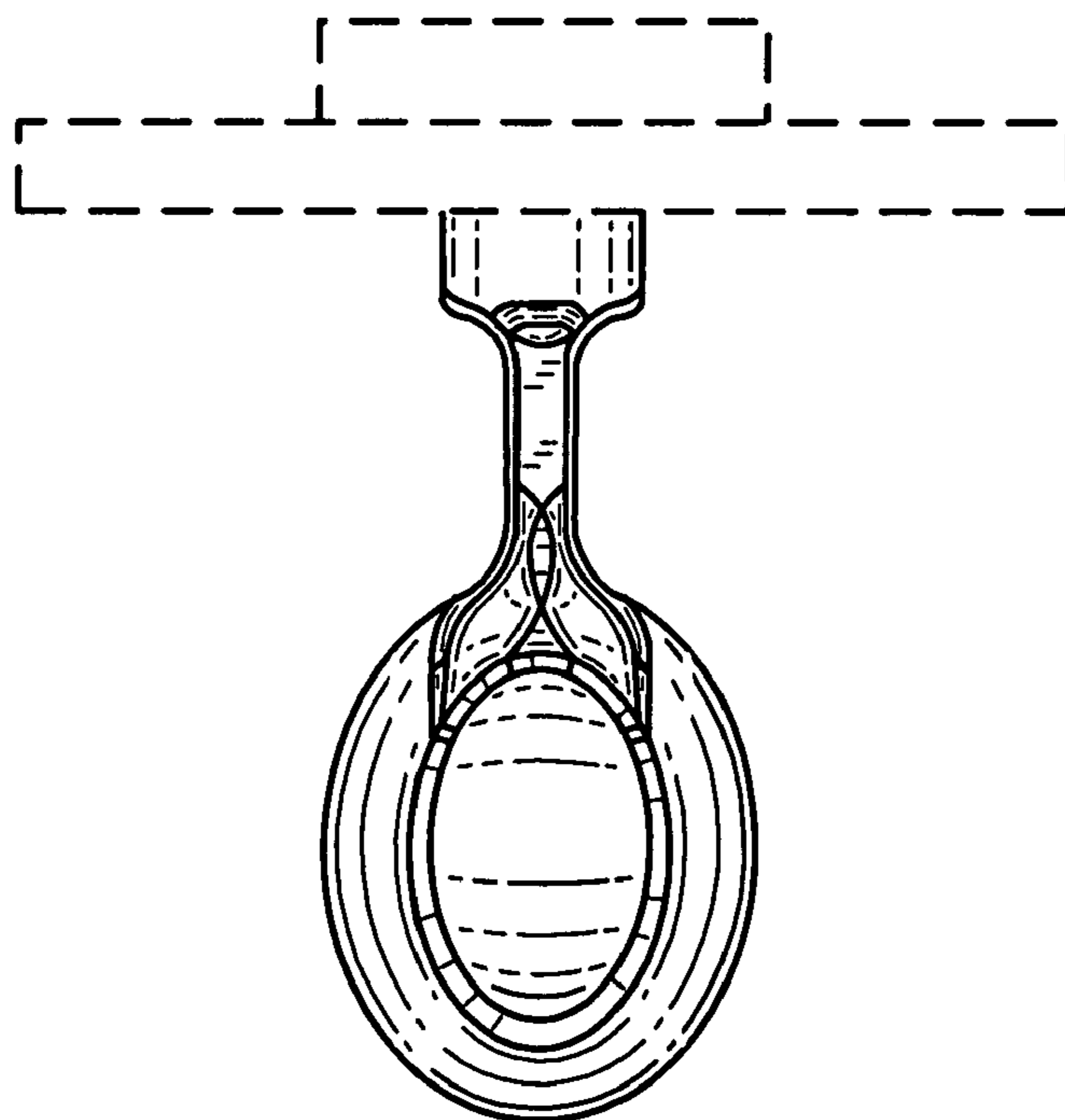


FIG. 4

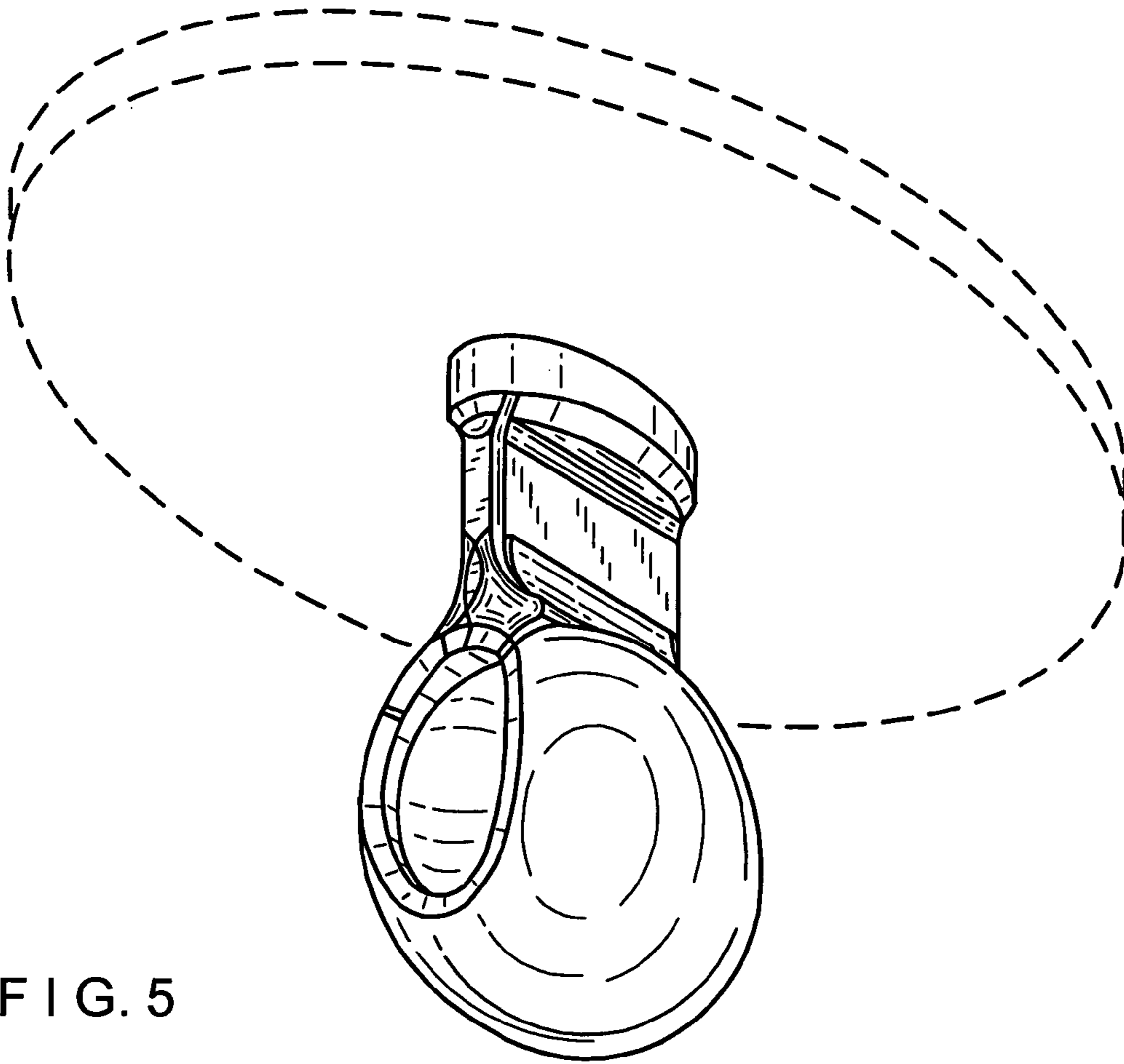


FIG. 5

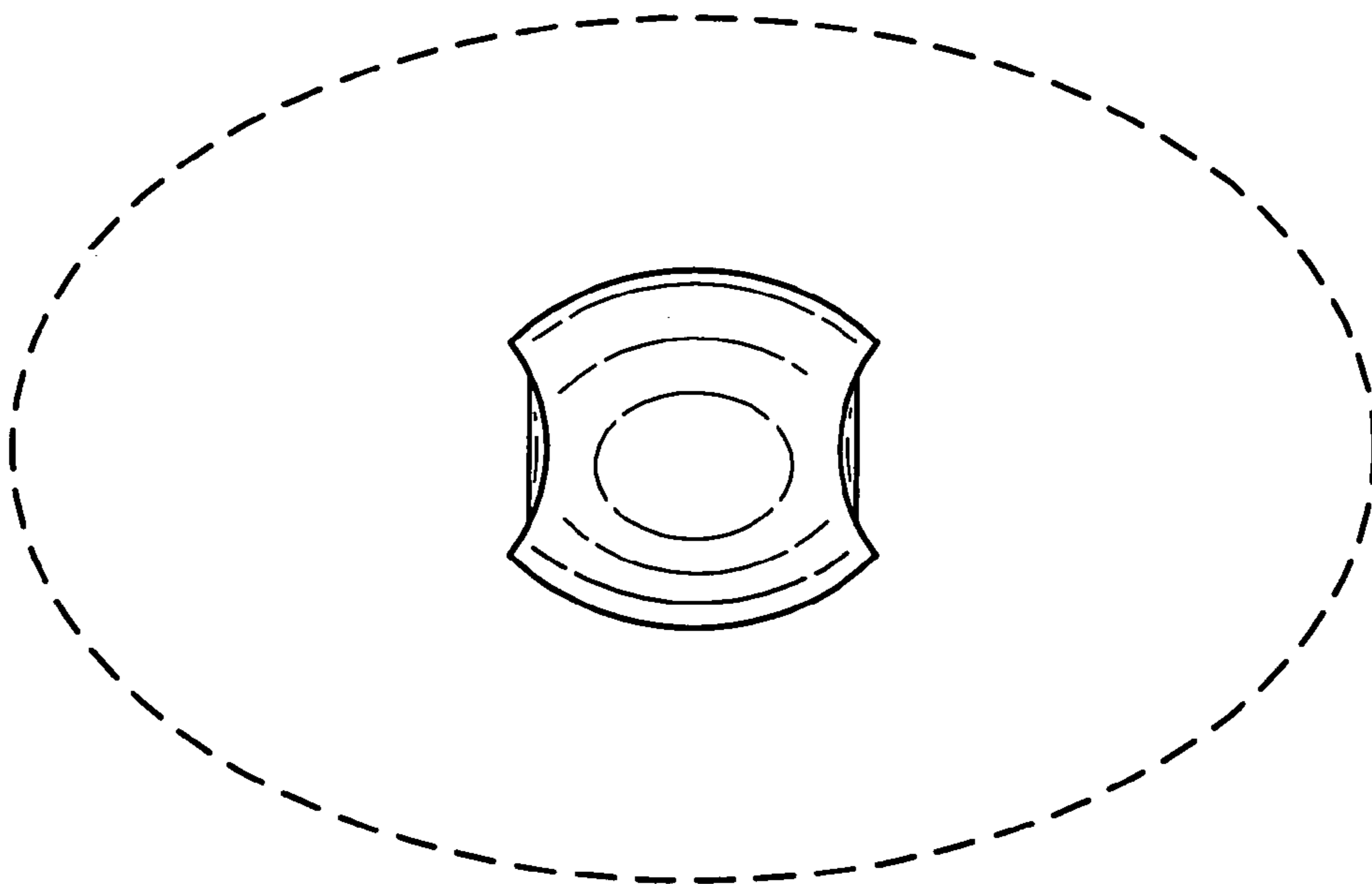


FIG. 6