



US00D567382S

(12) **United States Design Patent**
Tamburrino et al.

(10) **Patent No.:** **US D567,382 S**

(45) **Date of Patent:** **** Apr. 22, 2008**

(54) **SURGICAL ILLUMINATOR**

(75) Inventors: **Richard Tamburrino**, Auburn, NY (US); **Chris Roberts**, Skaneateles, NY (US); **David Tufenkjian**, Marcellus, NY (US); **Todd Abernethy**, Skaneateles, NY (US)

(73) Assignee: **Welch Allyn Inc.**, Skaneateles Falls, NY (US)

(**) Term: **14 Years**

(21) Appl. No.: **29/282,981**

(22) Filed: **Aug. 3, 2007**

(51) **LOC (8) Cl.** **24-02**

(52) **U.S. Cl.** **D24/185**

(58) **Field of Classification Search** D24/185,
D24/137-138, 231; D26/27; D13/101, 199;
362/551-552, 572; 128/4-8
See application file for complete search history.

(56) **References Cited**

U.S. PATENT DOCUMENTS

| | | | | |
|---------------|---------|------------------|-------|---------|
| D202,552 S * | 10/1965 | Ross | | D24/137 |
| 3,638,013 A | 1/1972 | Keller | | |
| 3,775,606 A * | 11/1973 | Bazell et al. | | 362/552 |
| 3,831,017 A | 8/1974 | Auer | | |
| D243,115 S * | 1/1977 | Ziegler et al. | | D24/138 |
| D244,049 S * | 4/1977 | Feinbloom et al. | | D26/27 |
| 4,025,776 A | 5/1977 | Cawood | | |
| 4,060,724 A * | 11/1977 | Heine et al. | | 362/572 |
| 4,510,354 A | 4/1985 | Allfather | | |
| 4,773,723 A | 9/1988 | Cuda | | |
| 4,933,816 A * | 6/1990 | Hug et al. | | 362/551 |
| D327,952 S * | 7/1992 | Van Der Bel | | D26/27 |

| | | | | |
|-------------------|---------|-----------------|-------|---------|
| D328,151 S * | 7/1992 | Feinbloom | | D26/27 |
| D328,155 S * | 7/1992 | Feinbloom | | D26/27 |
| D349,340 S * | 8/1994 | Snoke et al. | | D24/138 |
| 5,617,302 A | 4/1997 | Kloots | | |
| 5,882,102 A | 3/1999 | Pileski | | |
| 6,007,255 A | 12/1999 | Krauter | | |
| 6,799,878 B1 | 10/2004 | Klootz | | |
| D523,806 S * | 6/2006 | Symanzik et al. | | D13/101 |
| 2004/0243120 A1 * | 12/2004 | Orszulak et al. | | 606/34 |

* cited by examiner

Primary Examiner—Robert A. Delehanty

Assistant Examiner—Mark Cavanna

(74) *Attorney, Agent, or Firm*—Hiscock & Barclay, LLP

(57) **CLAIM**

The ornamental design for a surgical illuminator, as shown and described.

DESCRIPTION

FIG. 1 is a first isometric view of a surgical illuminator drawn broken away to indicate indeterminate length, showing our new design;

FIG. 2 is a second isometric view thereof;

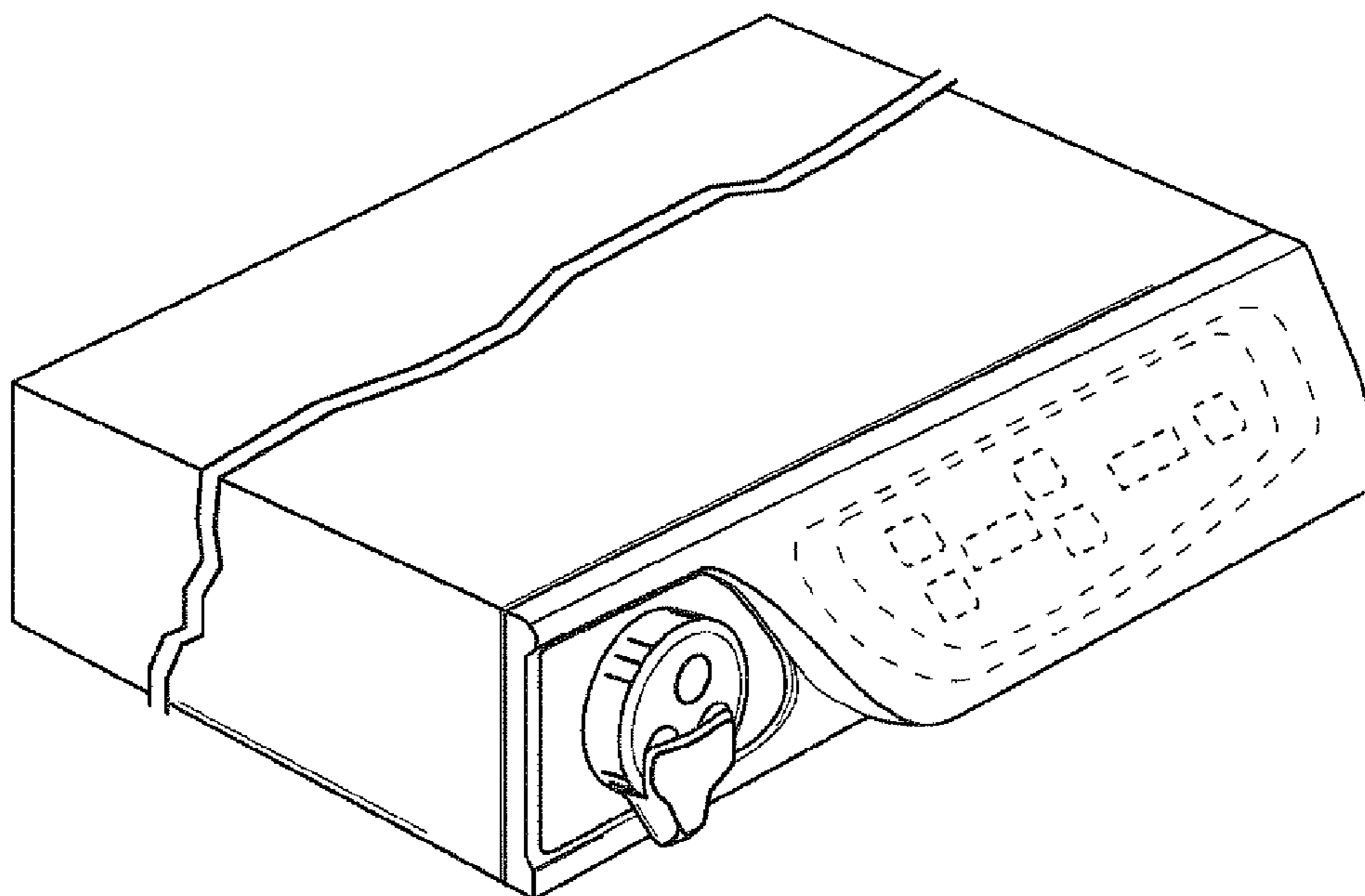
FIG. 3 shown slightly reduced in scale is a front view thereof;

FIG. 4 is a partial side view looking in the direction indicated by line 4—4 in FIG. 3; and,

FIG. 5 is a partial side view looking in the direction indicated by line 5—5 in FIG. 3.

The broken lines showing of the controls are included for the purpose of illustration and forms no part of the claimed design.

1 Claim, 3 Drawing Sheets



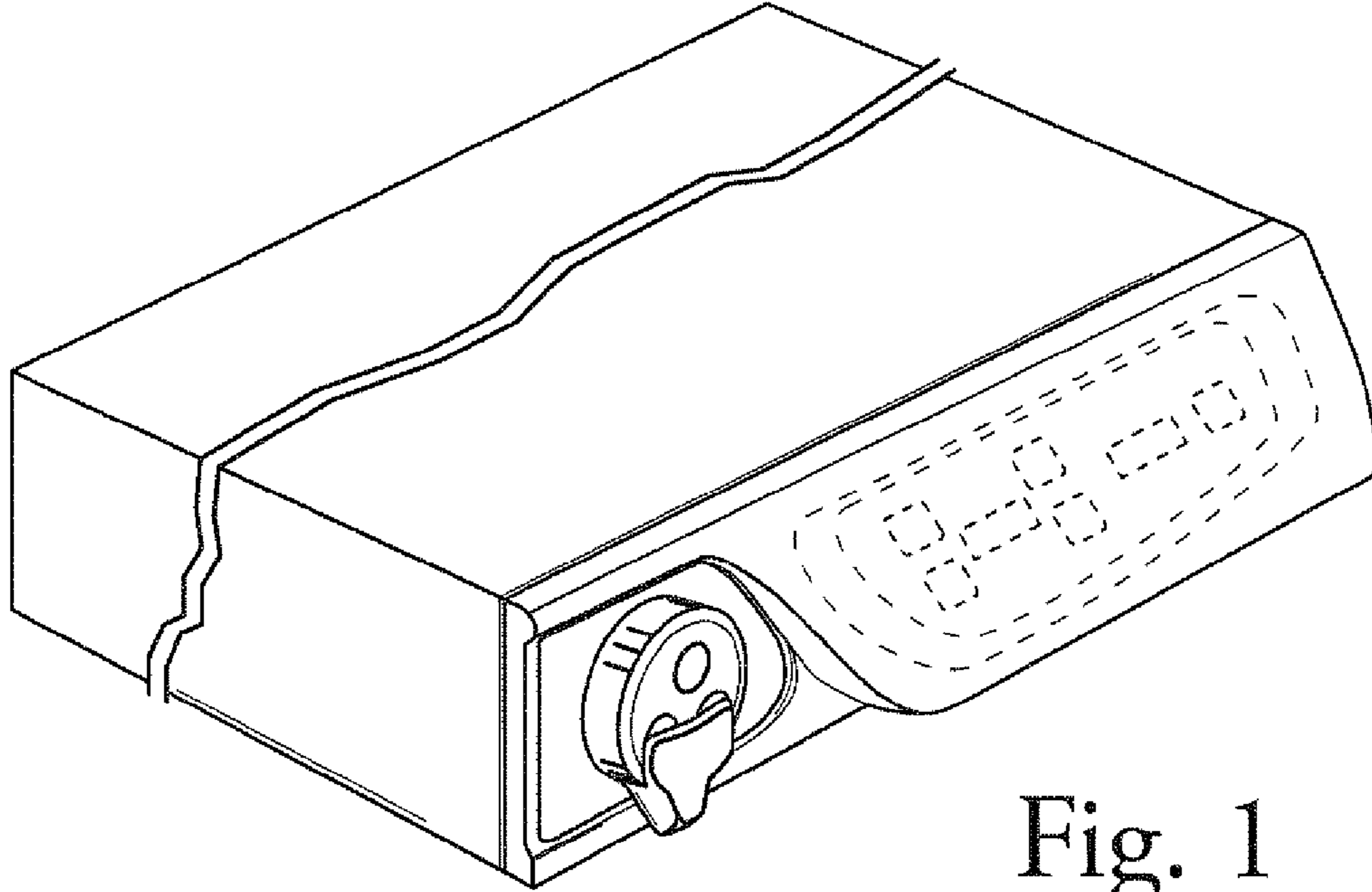


Fig. 1

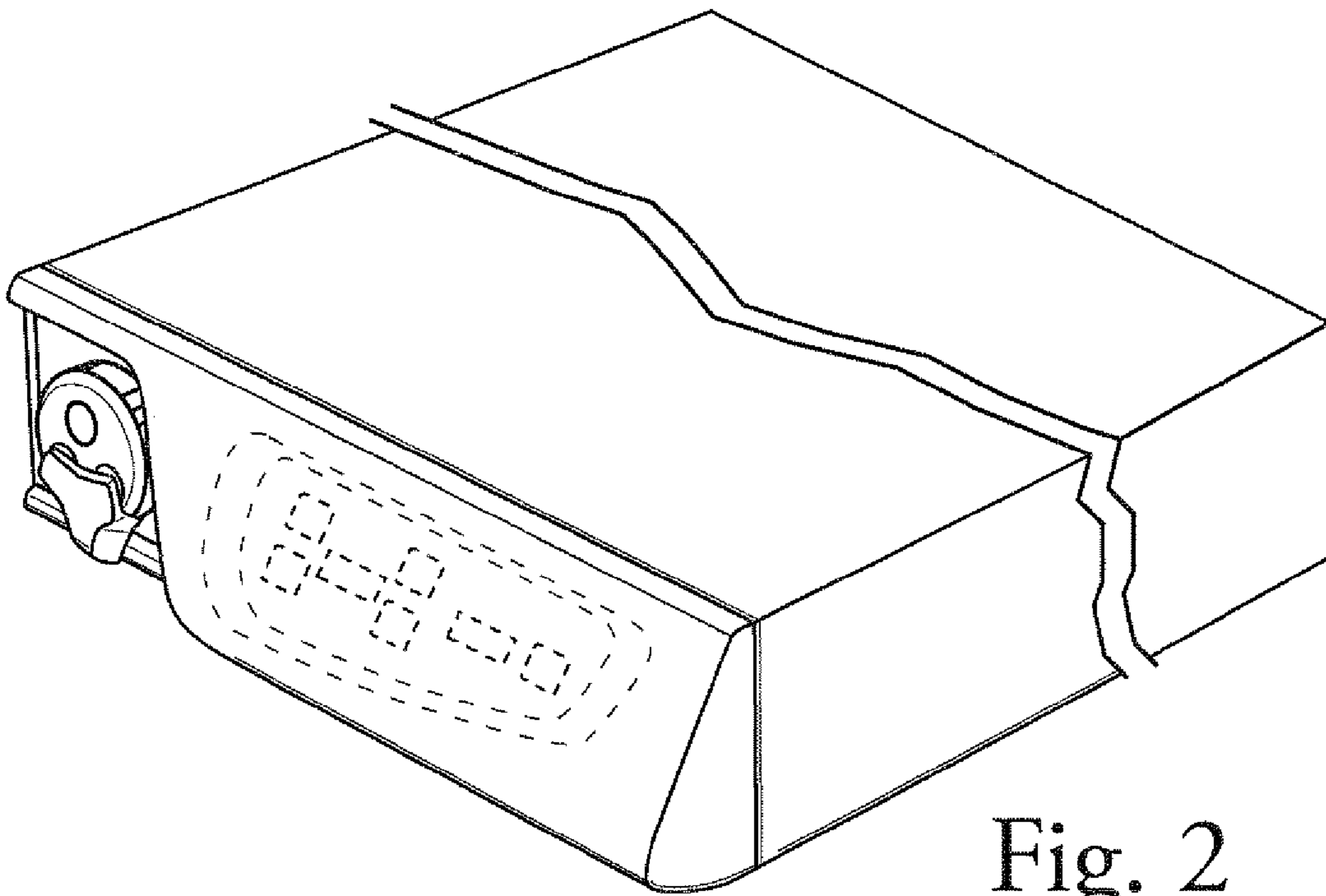


Fig. 2

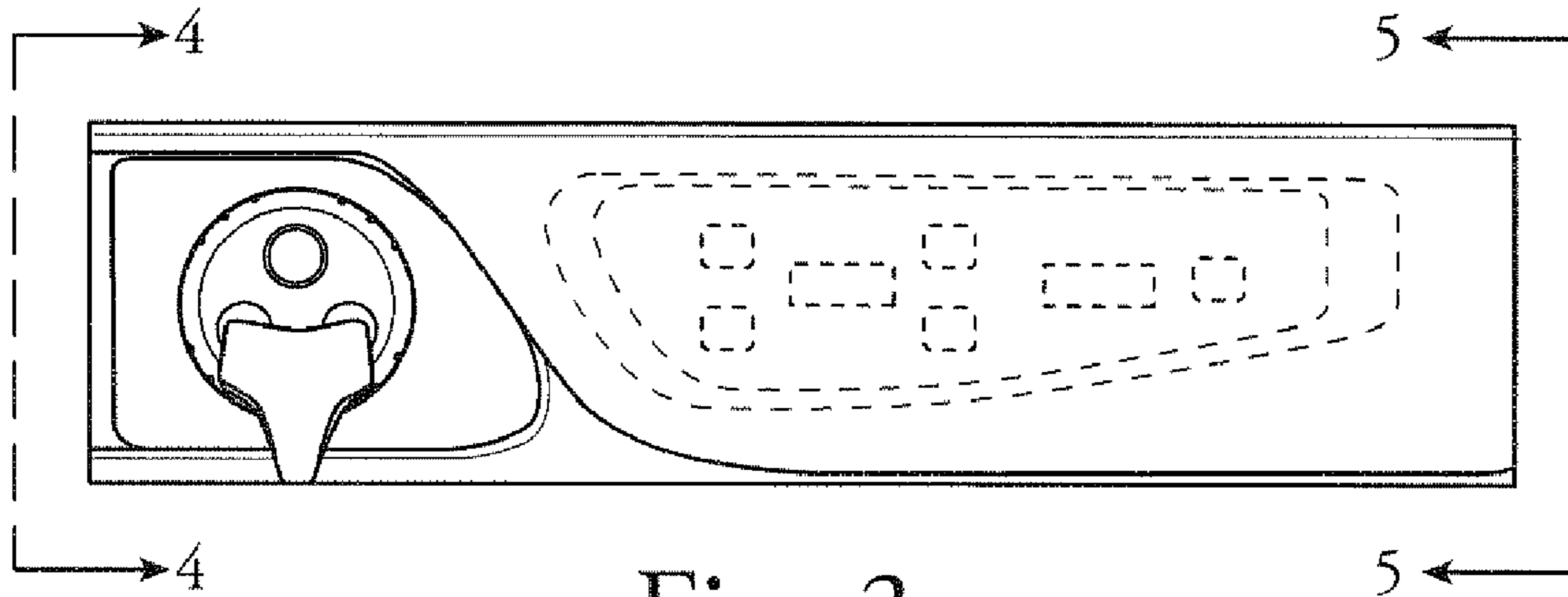


Fig. 3

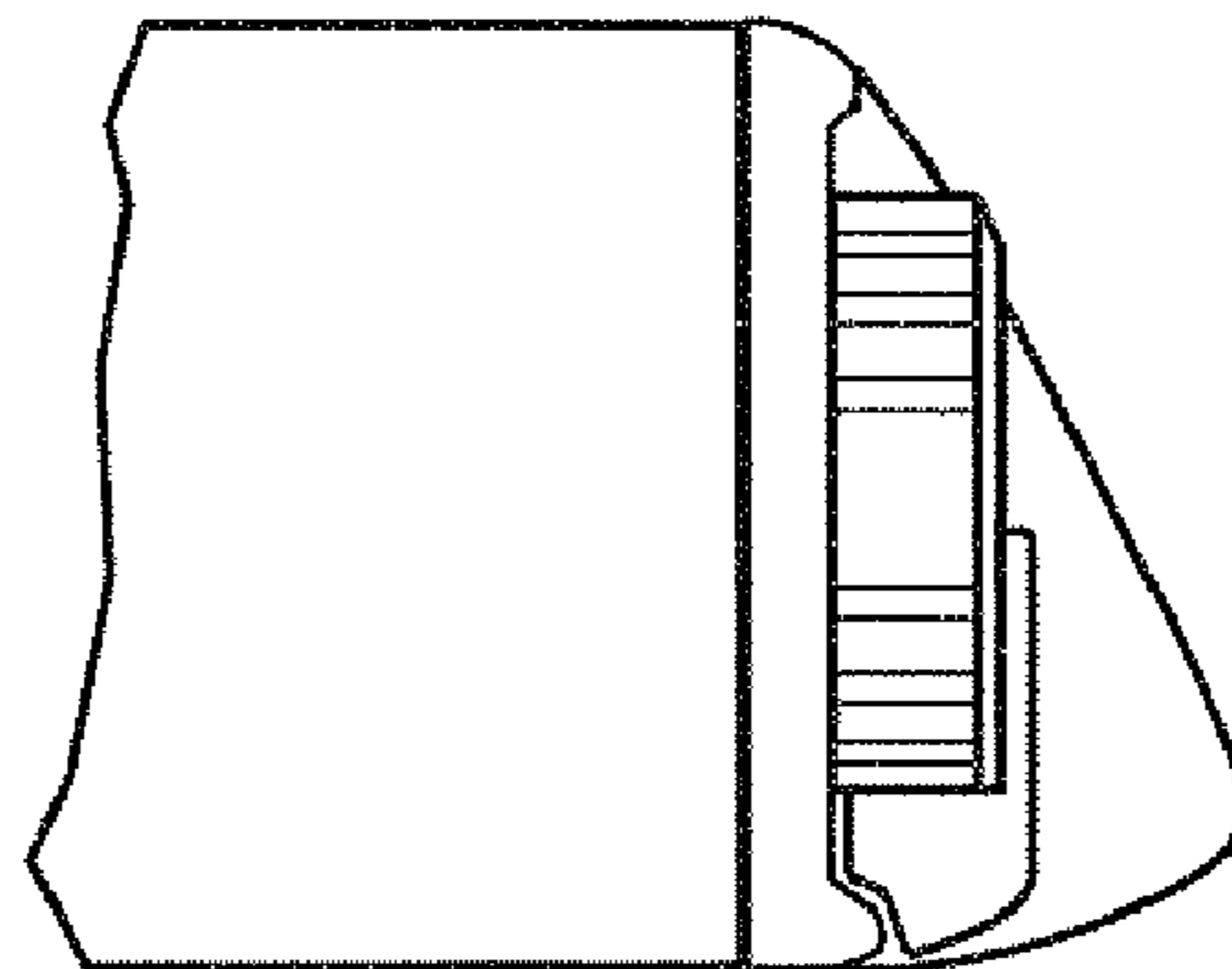


Fig. 4

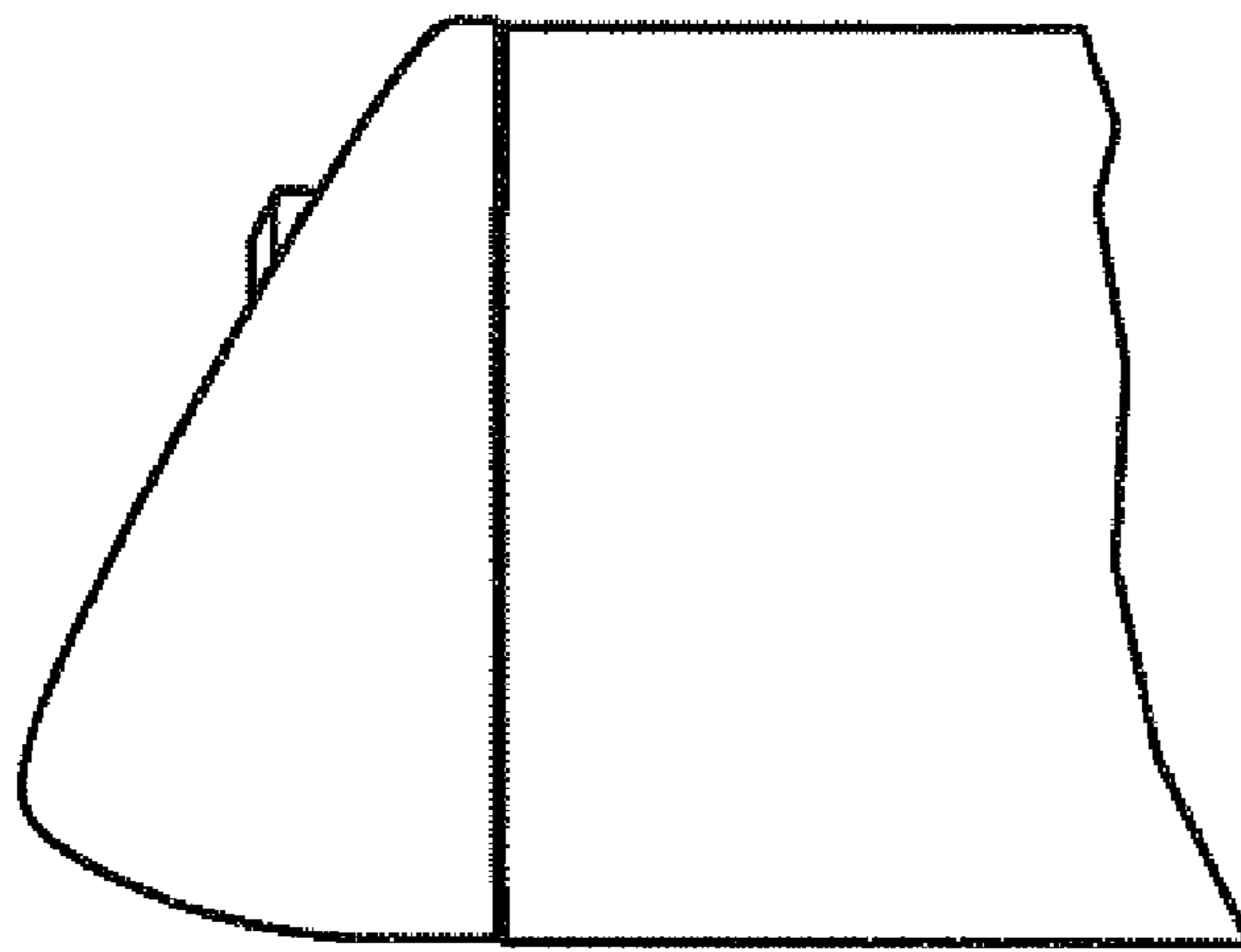


Fig. 5