



US00D567380S

(12) **United States Design Patent**
Huffman

(10) **Patent No.:** **US D567,380 S**

(45) **Date of Patent:** **** Apr. 22, 2008**

(54) **OPPOSING DENTAL MODEL BASE**

D210,278 S * 2/1968 White D24/181

(76) Inventor: **Ronald E. Huffman**, P.O. Box 68440,
Oro Valley, AZ (US) 85737

3,416,527 A 12/1968 Hoef

3,453,736 A 7/1969 Waltke

3,461,562 A 8/1969 Cooper

3,478,428 A 11/1969 Stengel

(**) Term: **14 Years**

3,510,947 A 5/1970 Tuccillo

3,518,761 A 7/1970 Susman et al.

(21) Appl. No.: **29/266,746**

3,581,398 A 6/1971 Thomas

(22) Filed: **Sep. 26, 2006**

(Continued)

Related U.S. Application Data

FOREIGN PATENT DOCUMENTS

(63) Continuation of application No. 29/231,950, filed on
Jun. 10, 2005, now Pat. No. Des. 529,178.

DE 3 436 094 A1 3/1985

(Continued)

(51) **LOC (8) Cl.** **18-03**

(52) **U.S. Cl.** **D24/182**

(58) **Field of Classification Search** D24/156,
D24/152, 155, 176, 180, 181, 197; 249/124;
433/34, 54, 60, 61, 64, 74, 213

Primary Examiner—Charles A. Rademaker

(74) *Attorney, Agent, or Firm*—Merchant & Gould P.C.

See application file for complete search history.

(57) **CLAIM**

The ornamental design for opposing dental model base, as
shown and described.

(56) **References Cited**

U.S. PATENT DOCUMENTS

DESCRIPTION

- 921,791 A 5/1909 Benson
- 967,086 A 8/1910 Tuttle
- 1,013,028 A 12/1911 Lee
- 1,745,570 A 2/1930 Dimelow
- 1,772,027 A 8/1930 Baumgarten
- 1,780,117 A 10/1930 Craig
- 2,031,996 A 2/1936 Zelesnick
- 2,037,344 A 4/1936 Schwartz
- 2,234,411 A 3/1941 McDonald
- 2,376,384 A 5/1945 Ringle et al.
- 2,398,671 A 4/1946 Saffir
- 2,577,420 A 12/1951 Jablonski et al.
- 2,585,857 A 2/1952 Schwartz
- 2,613,440 A 10/1952 Murray et al.
- 2,621,407 A 12/1952 Huffman
- 2,669,780 A 2/1954 Mann
- 2,827,899 A * 3/1958 Altieri D24/176
- 2,842,845 A 7/1958 Carlson
- 3,150,448 A 9/1964 Wozar
- 3,236,235 A * 2/1966 Jacobs D24/176
- 3,247,844 A * 4/1966 Berghash D24/176

FIG. 1 is a front perspective view of an opposing dental
model base showing my new design;

FIG. 2 is a rear top perspective view thereof.

FIG. 3 is a front bottom perspective view thereof.

FIG. 4 is a rear bottom perspective view thereof.

FIG. 5 is a top view thereof.

FIG. 6 is a bottom view thereof.

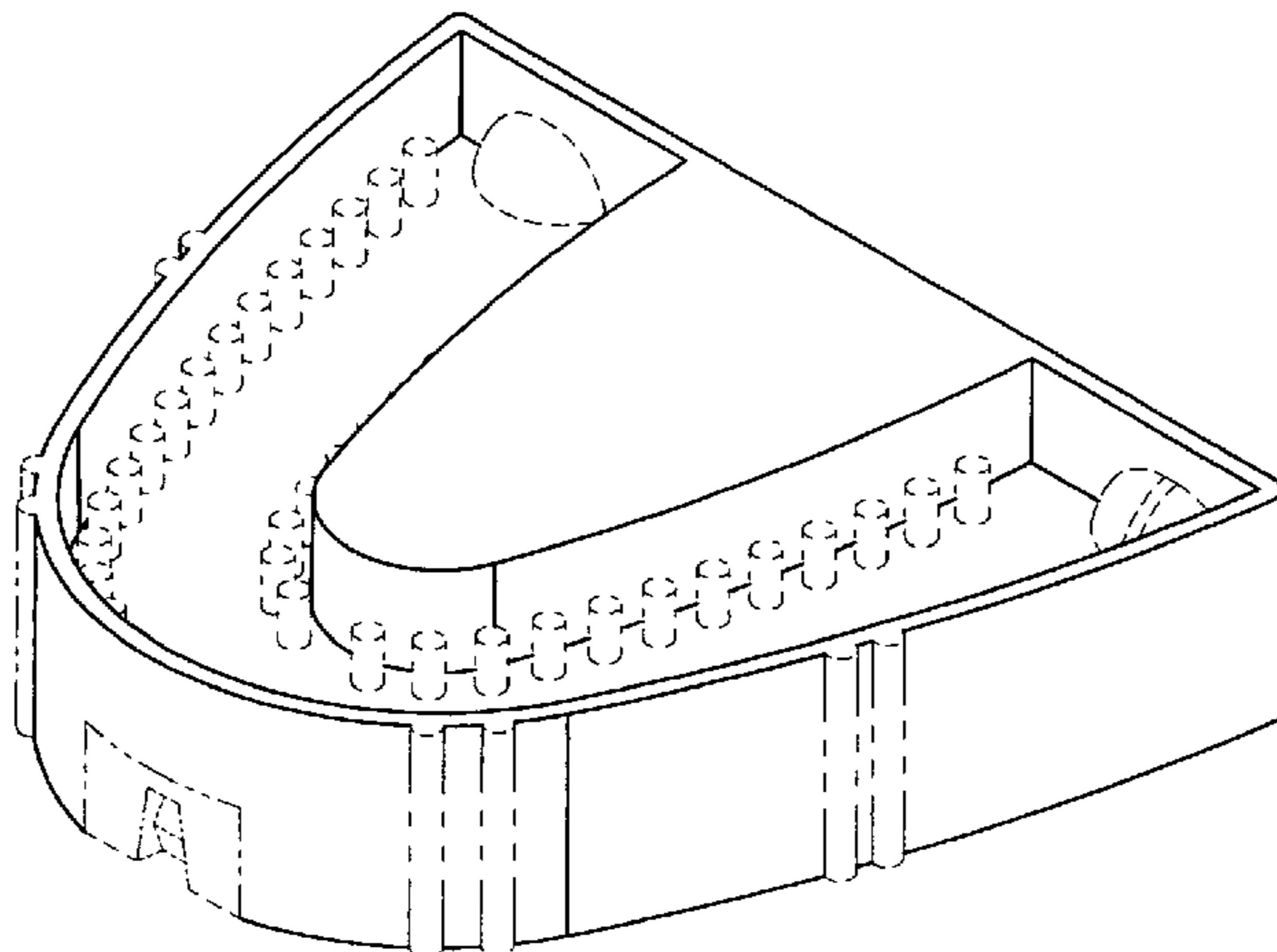
FIG. 7 is a front view thereof.

FIG. 8 is a rear view thereof; and,

FIG. 9 is a right side view thereof, the left side view being
a mirror image of the right side view.

The portions of the article in broken lines are shown for
illustrative purposes only and form no part of the claimed
design.

1 Claim, 4 Drawing Sheets



US D567,380 S

U.S. PATENT DOCUMENTS					
3,650,032 A	3/1972	Kestler	D306,206 S	2/1990	Huffman
3,753,291 A	8/1973	Bocian et al.	4,898,359 A	2/1990	Gopon
3,832,777 A	9/1974	Tinder	4,917,347 A	4/1990	Fenick
3,913,230 A	10/1975	Weiss	RE33,271 E	7/1990	Shoher et al.
3,934,348 A	1/1976	Janjic	4,940,409 A	7/1990	Nordin
3,937,773 A	2/1976	Huffman	4,980,124 A	12/1990	Dimmer
3,969,820 A	7/1976	Kulig et al.	5,015,182 A	5/1991	Newberry
4,021,916 A	5/1977	Spalten	5,028,235 A	7/1991	Smith
4,022,419 A	5/1977	Haker	5,044,949 A	9/1991	Xanthopoulos
4,116,416 A	9/1978	Segura	5,049,075 A	9/1991	Barrut
4,122,606 A	10/1978	Roman	5,076,789 A	12/1991	Tanaka
4,127,939 A	12/1978	Samuel et al.	5,098,290 A	3/1992	Honstein et al.
4,174,570 A	11/1979	Schwartz	5,100,317 A	3/1992	Darnand
4,203,219 A	5/1980	Wiener	5,197,874 A	3/1993	Silva et al.
D257,387 S *	10/1980	Skarky D24/181	5,207,574 A	5/1993	Garland
4,229,167 A	10/1980	Kikuchi et al.	5,352,117 A	10/1994	Silva
4,240,605 A	12/1980	Waltke	5,393,227 A	2/1995	Nooning
4,242,812 A	1/1981	Randoll et al.	5,403,185 A	4/1995	Presswood
4,265,619 A	5/1981	Lucki et al.	5,466,152 A	11/1995	Walter
4,283,173 A	8/1981	Browne et al.	5,470,231 A	11/1995	Stern
4,301,357 A	11/1981	Huffman	5,501,600 A	3/1996	Johnson
4,319,875 A	3/1982	Beckwith	5,586,884 A	12/1996	Kraus
4,359,464 A	11/1982	Weinstock	5,622,497 A	4/1997	Cho
4,371,339 A	2/1983	Zeiser	5,766,007 A	6/1998	Huffman
4,378,929 A	4/1983	Huffman	5,769,634 A	6/1998	Choi
4,382,787 A	5/1983	Huffman	5,775,899 A	7/1998	Huffman
4,398,884 A	8/1983	Huffman	5,788,489 A	8/1998	Huffman
4,403,961 A	9/1983	Gurney	5,788,490 A	8/1998	Huffman
4,436,511 A	3/1984	Mitchell, Sr.	5,800,166 A	9/1998	Huffman
4,439,151 A	3/1984	Whelan	5,807,099 A	9/1998	Johnson
4,443,192 A	4/1984	Blitz	5,868,569 A	2/1999	Huffman
4,449,930 A	5/1984	Huffman	5,934,901 A	8/1999	Huffman
4,449,931 A	5/1984	Saito	5,996,963 A	12/1999	Michael
4,459,110 A	7/1984	Jackson	6,033,221 A	3/2000	Tsubota et al.
4,473,353 A	9/1984	Greggs	D429,815 S	8/2000	Huffman
4,481,162 A	11/1984	Huffman	D430,672 S	9/2000	Huffman
4,494,934 A	1/1985	Huffman	D433,136 S	10/2000	Huffman
4,504,226 A	3/1985	Gordon	D433,754 S	11/2000	Huffman
D278,274 S *	4/1985	Levine D24/181	6,149,428 A *	11/2000	Mogensen 433/74
4,521,188 A	6/1985	Metzler	6,186,781 B1	2/2001	Iba
4,533,323 A	8/1985	Huffman	6,193,511 B1 *	2/2001	Hudson 433/54
4,538,987 A	9/1985	Weissman	6,234,794 B1	5/2001	Ozaki
4,548,581 A	10/1985	Huffman	D443,363 S	6/2001	Huffman
D283,541 S	4/1986	Huffman	D444,559 S	7/2001	Huffman
D283,542 S	4/1986	Huffman	D452,009 S	12/2001	Huffman
D283,639 S	4/1986	Huffman	D452,010 S	12/2001	Huffman
D283,730 S	5/1986	Huffman	D452,319 S	12/2001	Huffman
4,608,016 A	8/1986	Zeiser	D452,320 S	12/2001	Huffman
D286,179 S	10/1986	Huffman	D452,321 S	12/2001	Huffman
D286,436 S	10/1986	Huffman	D452,322 S	12/2001	Huffman
4,645,454 A	2/1987	Amdur et al.	D452,566 S	12/2001	Huffman
D289,924 S	5/1987	Huffman	D452,567 S	12/2001	Huffman
4,671,770 A	6/1987	Bell et al.	D452,568 S	12/2001	Huffman
4,708,648 A	11/1987	Weissman	D452,568 S	12/2001	Huffman
4,708,835 A	11/1987	Kiefer	D456,902 S	5/2002	Huffman
4,721,464 A	1/1988	Roden et al.	D456,903 S	5/2002	Huffman
4,734,033 A	3/1988	Huffman	D456,904 S	5/2002	Huffman
4,767,330 A	8/1988	Burger	D457,243 S	5/2002	Huffman
4,767,331 A	8/1988	Hoe	D457,636 S	5/2002	Huffman
4,786,253 A	11/1988	Morais	D457,637 S	5/2002	Huffman
4,834,651 A	5/1989	Fenick	D457,963 S	5/2002	Huffman
4,842,242 A	6/1989	Huffman	D457,964 S	5/2002	Huffman
D302,456 S	7/1989	Huffman	6,425,759 B1 *	7/2002	Cronin 433/34
D302,587 S	8/1989	Huffman	D464,431 S	10/2002	Huffman
D302,724 S	8/1989	Huffman	D464,432 S	10/2002	Huffman
D302,725 S	8/1989	Huffman	D464,732 S	10/2002	Huffman
4,865,546 A	9/1989	Naylor	D464,733 S	10/2002	Huffman
RE33,099 E	10/1989	Shoher et al.	D465,027 S	10/2002	Huffman
4,886,453 A	12/1989	Ludwigs	6,471,513 B1	10/2002	Huffman
D305,361 S	1/1990	Huffman	D468,018 S	12/2002	Huffman
D305,362 S	1/1990	Huffman	D468,431 S	1/2003	Huffman
			D468,432 S	1/2003	Huffman
			D469,537 S	1/2003	Huffman
			6,511,318 B2 *	1/2003	Kim 433/74

US D567,380 S

Page 3

D481,797 S	11/2003	Huffman		EP	0 291 821 A1	11/1988
6,726,477 B2 *	4/2004	Gittleman	433/34	EP	0 528 335 A1	2/1993
6,884,068 B2 *	4/2005	Huffman	433/60	EP	2 750 851 A1	2/1993
6,932,608 B1	8/2005	Gagliano et al.		FR	2 757 372 A1	6/1998
D512,148 S *	11/2005	Kwok	D24/181	FR	2 770 994	5/1999
7,044,734 B2	5/2006	Huffman		FR	653652	2/2002
D529,177 S	9/2006	Huffman		FR	653653	2/2002
7,108,507 B2	9/2006	Huffman		FR	653654	2/2002
D530,014 S	10/2006	Huffman		FR	653655	2/2002
7,156,660 B2	1/2007	Huffman		FR	653656	2/2002
2002/0102514 A1	8/2002	Huffman		FR	653657	2/2002
2004/0029071 A1	2/2004	Huffman		FR	653658	2/2002
2004/0096802 A1	5/2004	Gittleman		FR	653659	2/2002
2005/0064364 A1	3/2005	Huffman		FR	653660	2/2002
2005/0064365 A1	3/2005	Huffman		FR	653661	2/2002
2005/0064366 A1	3/2005	Huffman		FR	653662	2/2002
2005/0106530 A1	5/2005	Huffman		FR	653663	2/2002

FOREIGN PATENT DOCUMENTS

DE	3 505 680 A1	7/1985	GB	866118	4/1961
DE	3 521 137 A1	12/1986	GB	886118	1/1962
DE	3 825 014 A1	1/1990	GB	2105427	3/1983
DE	295 06 480 U1	8/1995	JP	1175348	4/2003
DE	296 13 916 U1	1/1998	JP	1178837	5/2003
DE	4 01 05 710.0	10/2001	WO	WO 88/10101	12/1988
EP	0 210 484 A2	2/1985	WO	WO 97/16130	5/1997
EP	0 151 086 A2	8/1985	WO	WO 01/01881 A2	1/2001
EP	0 277 026 A2	8/1988			

* cited by examiner

FIG. 1

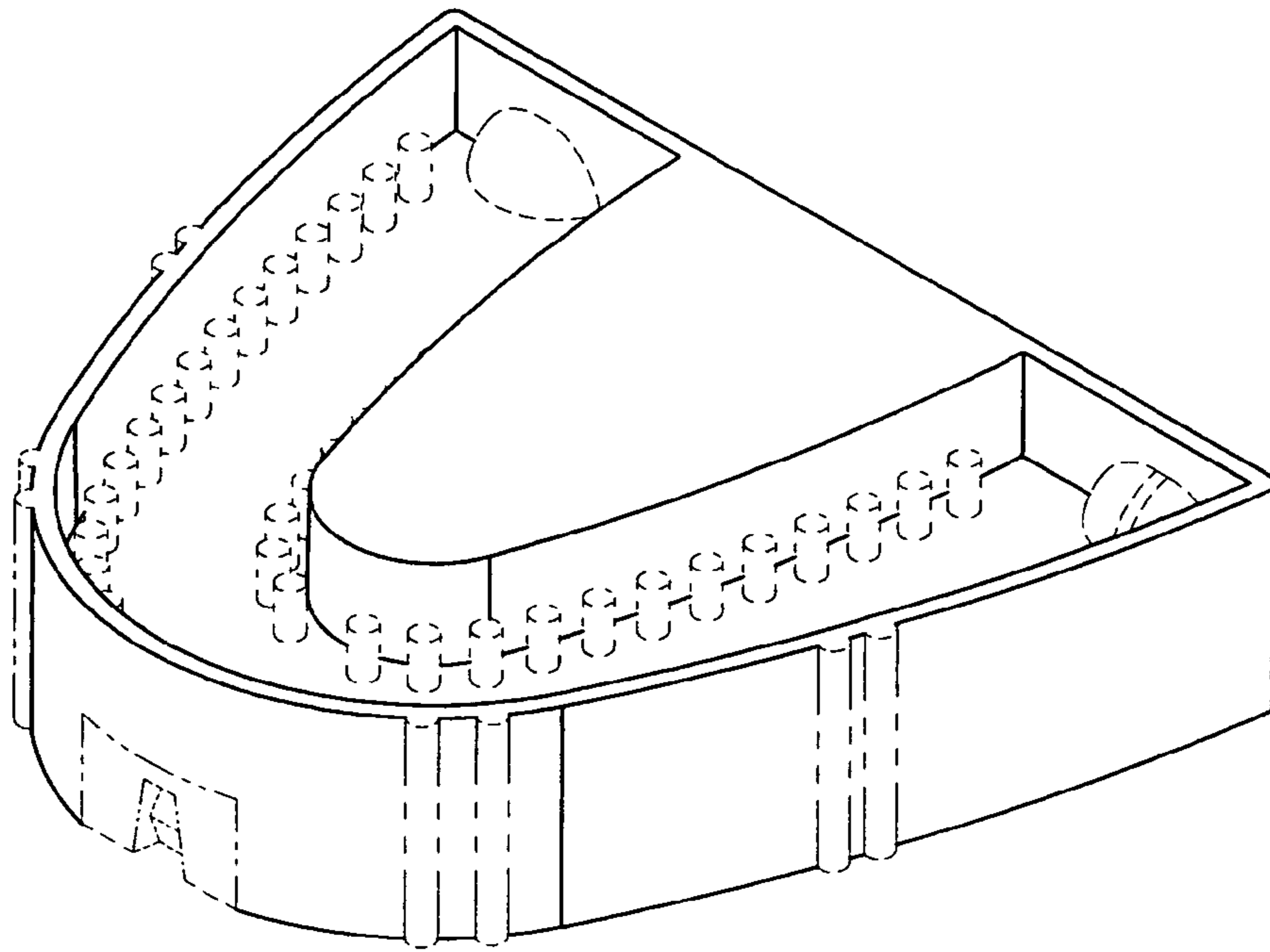


FIG. 2

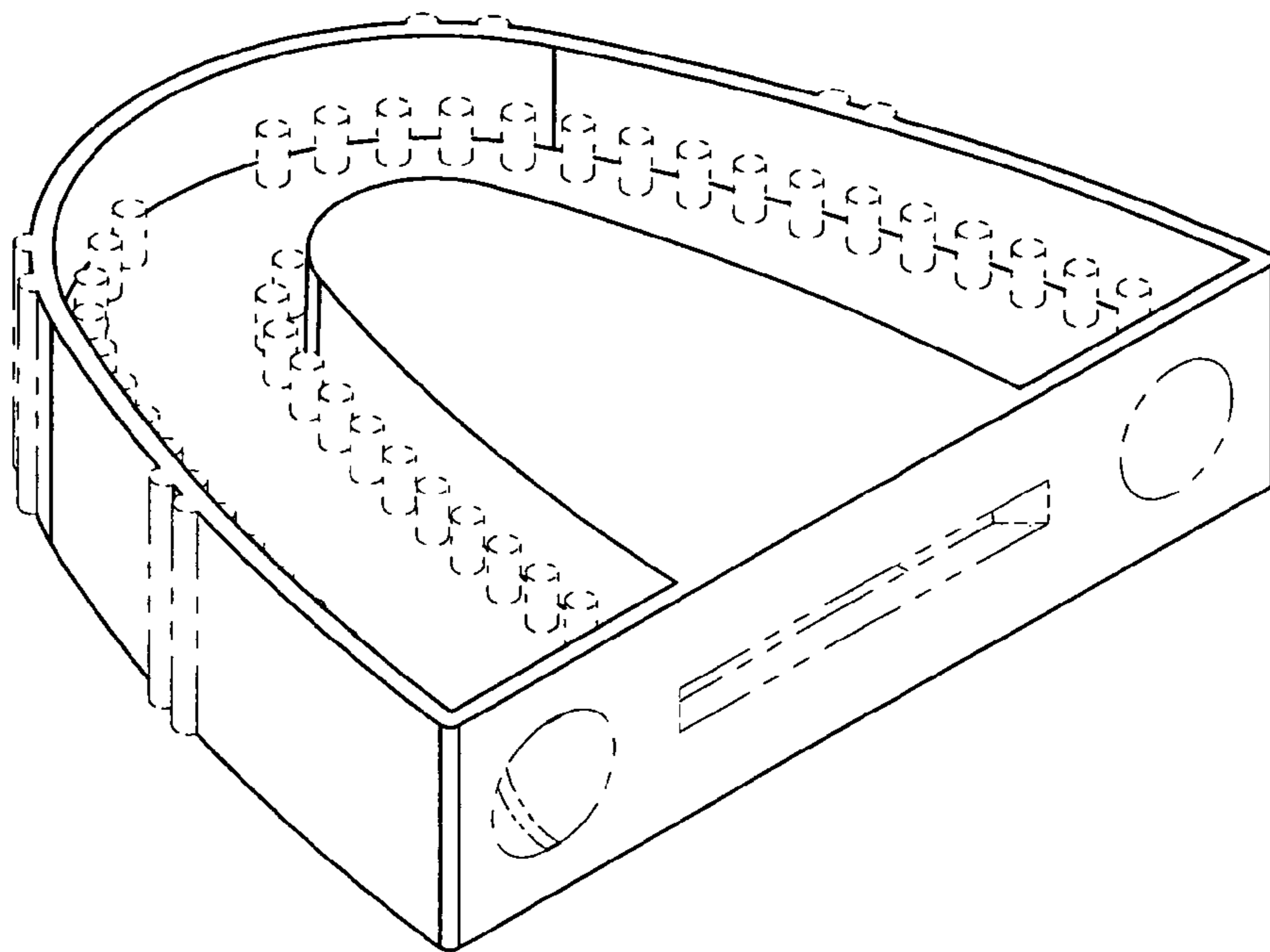


FIG. 3

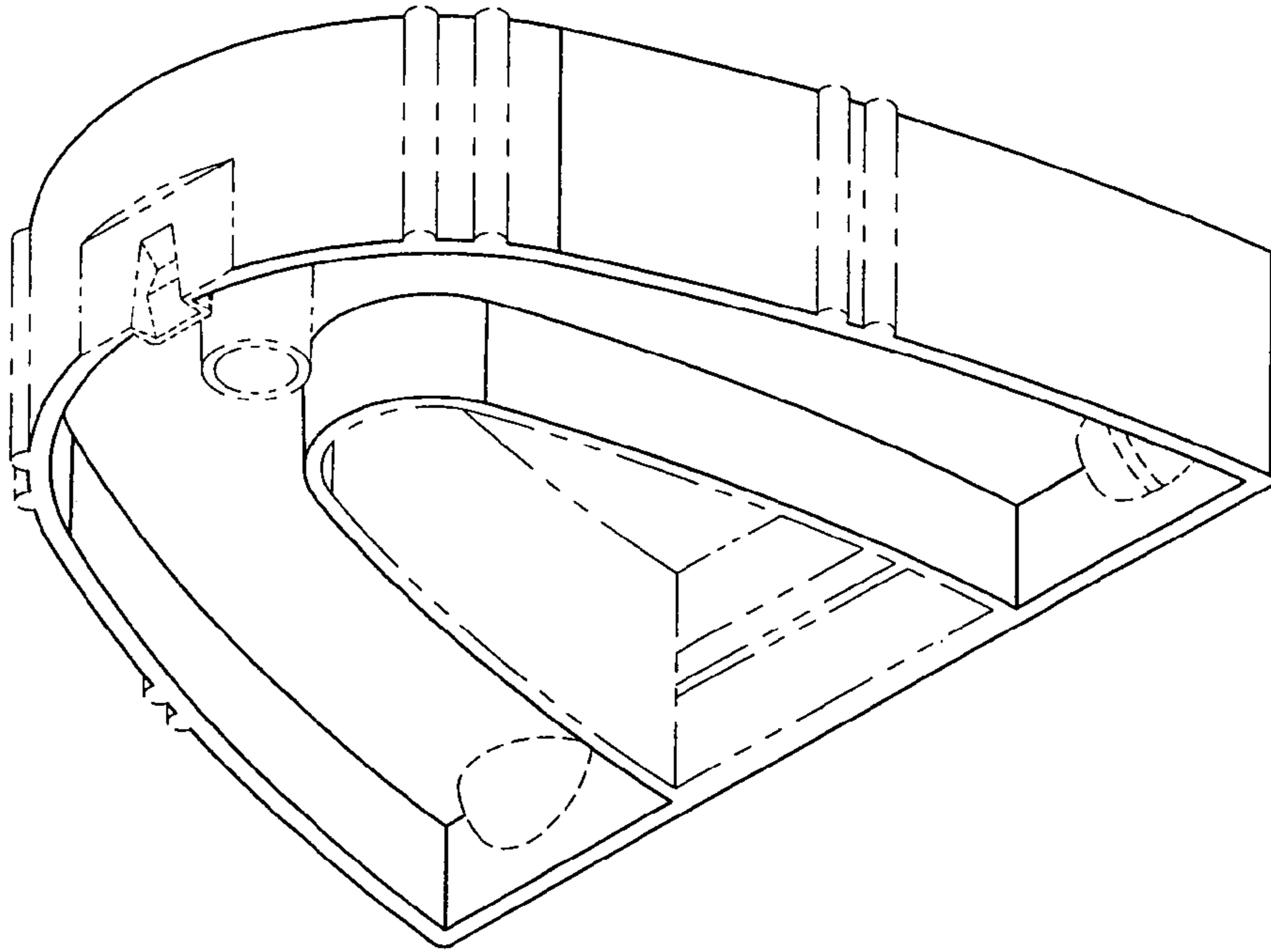


FIG. 4

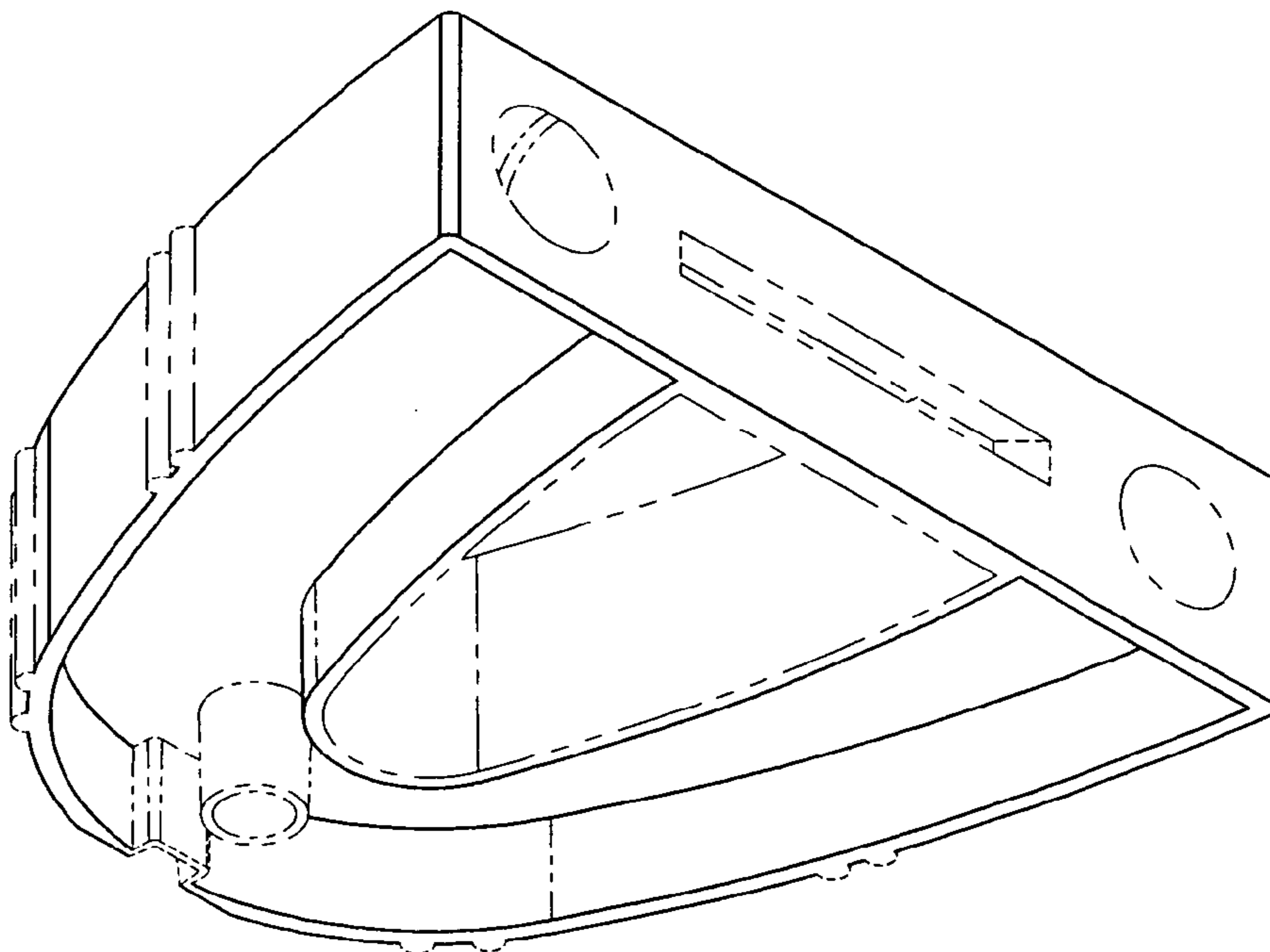


FIG. 6

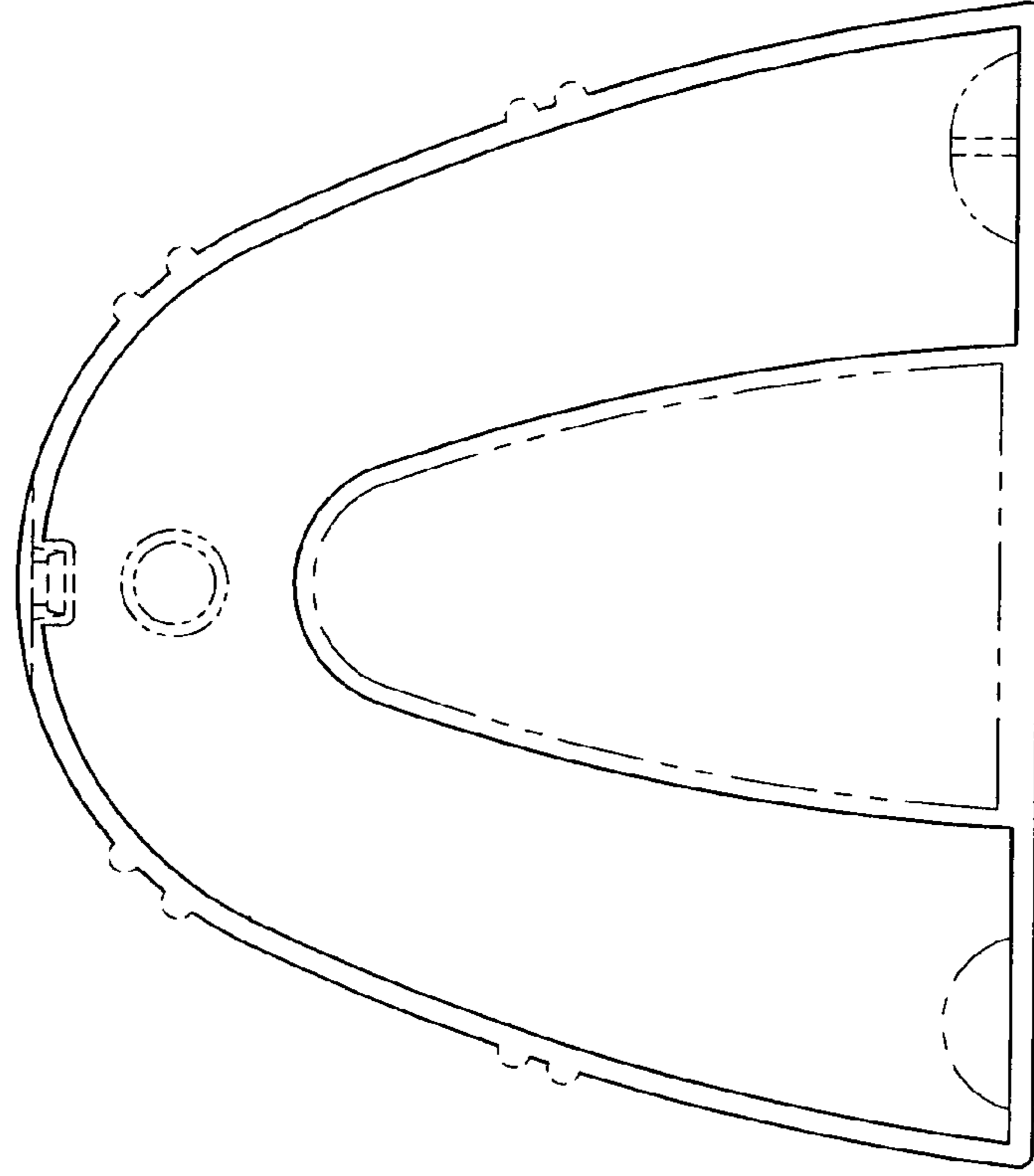


FIG. 5

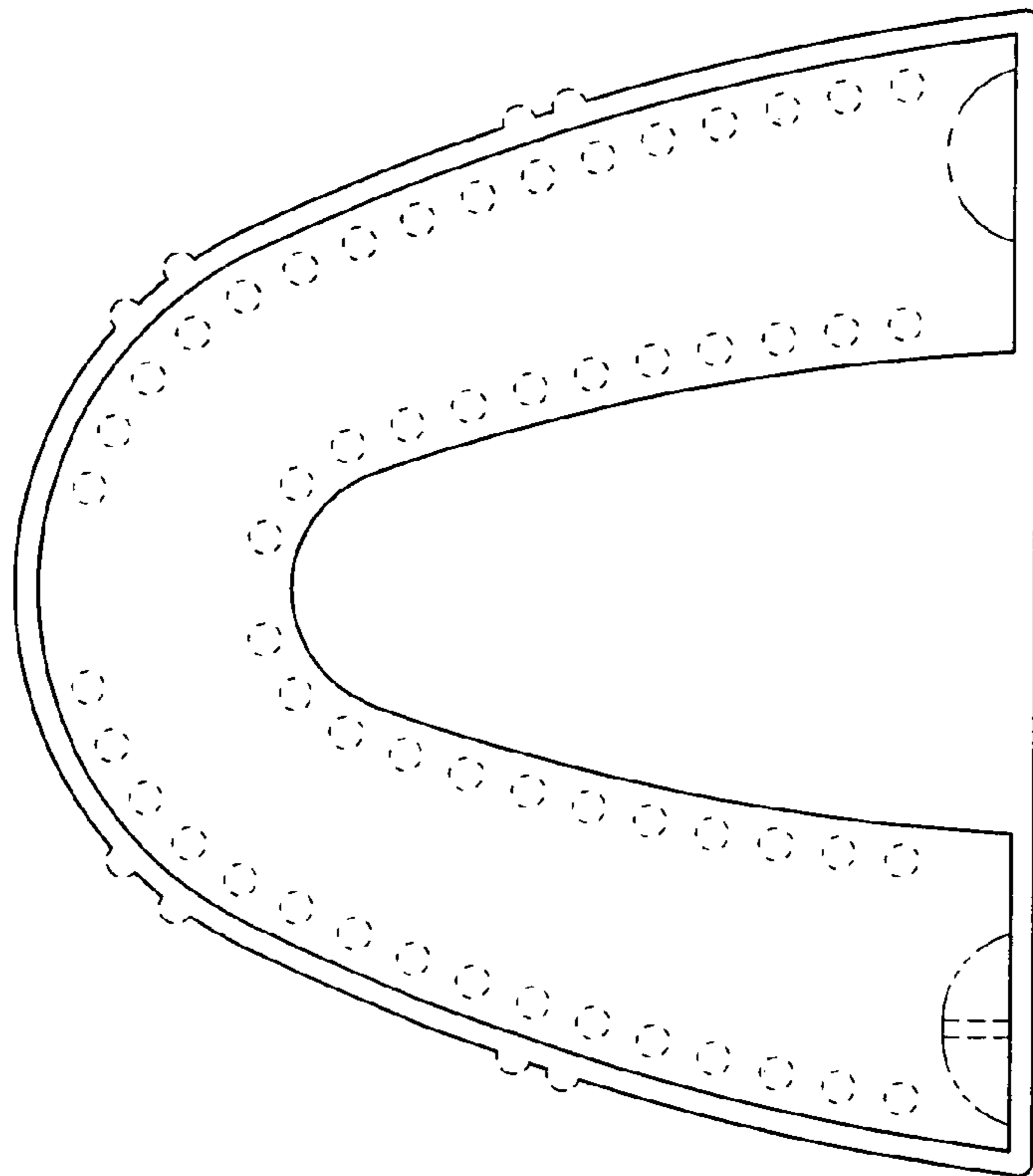


FIG. 7

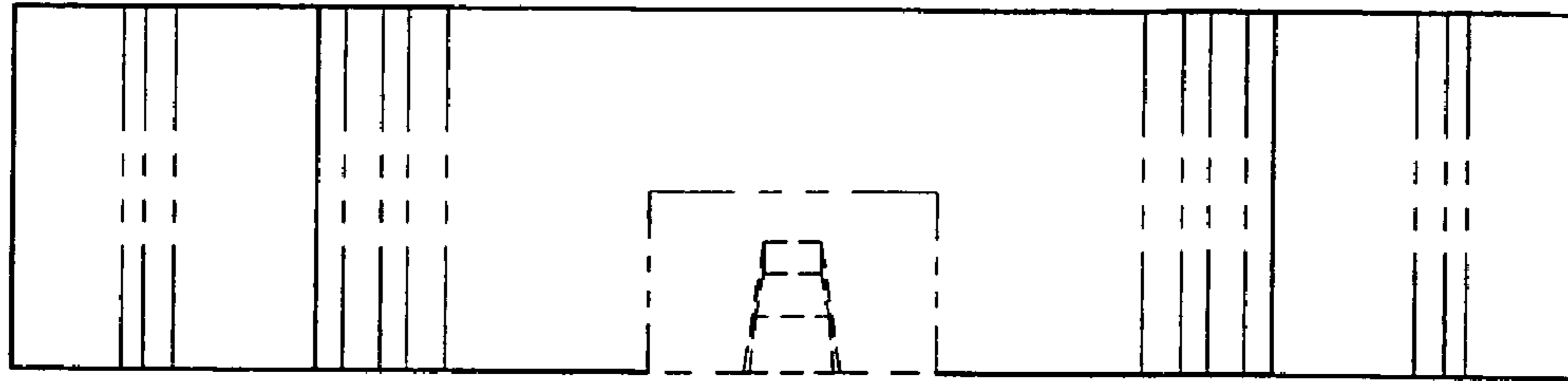


FIG. 8

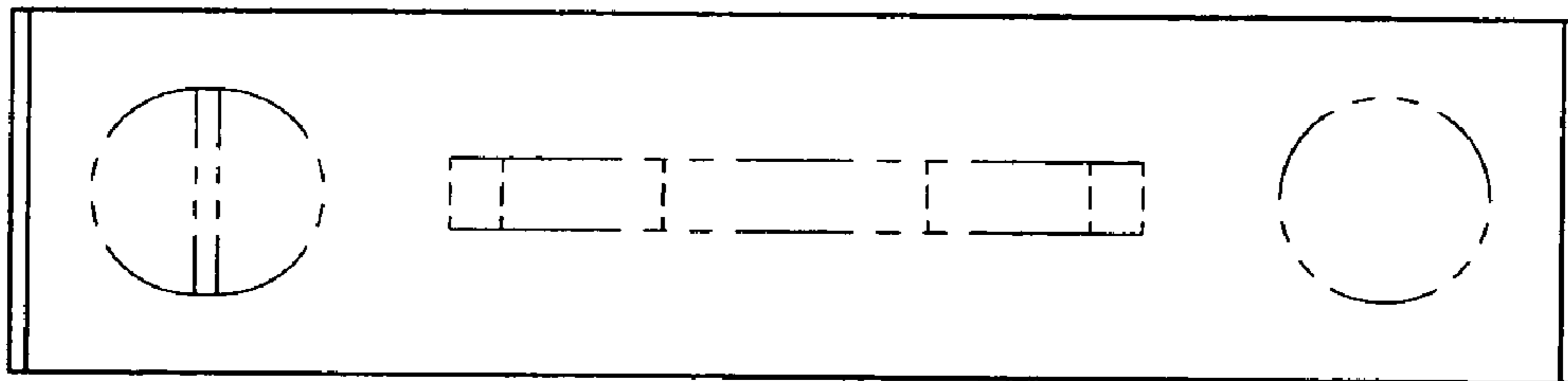


FIG. 9

