



US00D567377S

(12) **United States Design Patent** (10) **Patent No.:** **US D567,377 S**
Blouin et al. (45) **Date of Patent:** **** Apr. 22, 2008**

(54) **SPINAL IMPLANT**

2006/0100705 A1 5/2006 Puno et al.

(75) Inventors: **Felix Blouin**, Sterling Forest, NY (US);
Bruce Robie, Glen Rock, NJ (US);
Jorge A. Montoya, Hoboken, NJ (US)

OTHER PUBLICATIONS

Zimmer Spine, Inc., Puros Accugraft ALIF Allograft Surgical Technique, Aug. 2004, pp. 1-15, USA.

Zimmer Spine, Inc., Puros Allografts Reference Guide, Product Information, Nov. 2004, 4 pages, USA.

Zimmer Spine, Inc., Puros Accugraft ALIF Allograft System, Three-In-One Solution, 2005, 4 pages, USA.

Zimmer Spine, Inc., Puros Cervical Specialty Allograft, A New Angle on Strength and Consistency, 2005, 4 pages, USA.

Zimmer Spine, Inc., Puros Symmetry PLIF Allograft System, 2005, 4 pages, USA.

Zimmer Spine, Inc., Trabecular Metal VBR-11 Device, L1293 Rev. B, 2005, 2 pages.

Zimmer Spine, Inc., Trabecular Metal VBR-21 Device, L1337 Rev. A, 2006, 2 pages.

* cited by examiner

Primary Examiner—Charles A. Rademaker

(74) *Attorney, Agent, or Firm*—Wood, Herron & Evans, LLP

(73) Assignee: **Zimmer Spine, Inc.**, Minneapolis, MN (US)

(**) Term: **14 Years**

(21) Appl. No.: **29/277,256**

(22) Filed: **Feb. 20, 2007**

(51) **LOC (8) Cl.** **24-03**

(52) **U.S. Cl.** **D24/155**

(58) **Field of Classification Search** D24/155,
D24/156; 606/61, 72, 74; 623/17.16, 17.17,
623/11.1; D8/387; 433/173

See application file for complete search history.

(56) **References Cited**

U.S. PATENT DOCUMENTS

- 5,645,596 A 7/1997 Kim et al.
- 5,702,453 A 12/1997 Rabbe et al.
- 6,080,158 A * 6/2000 Lin 606/61
- 6,241,771 B1 6/2001 Gresser et al.
- D472,632 S * 4/2003 Anderson D24/155
- D472,634 S * 4/2003 Anderson D24/155
- D472,971 S * 4/2003 Anderson D24/155
- D472,972 S * 4/2003 Anderson D24/155
- D473,650 S * 4/2003 Anderson D24/155
- 6,632,247 B2 10/2003 Boyer, II et al.
- 6,660,038 B2 12/2003 Boyer, II et al.
- 6,676,703 B2 * 1/2004 Biscup 623/17.16
- D503,801 S * 4/2005 Jackson D24/155
- 7,048,765 B1 5/2006 Grooms et al.
- D553,742 S * 10/2007 Park D24/155
- D553,743 S * 10/2007 Park D24/155
- 2002/0026244 A1 2/2002 Trieu
- 2002/0106393 A1 8/2002 Bianchi et al.
- 2004/0138748 A1 7/2004 Boyer, II et al.
- 2005/0246021 A1 11/2005 Ringeisen et al.

(57) **CLAIM**

The ornamental design for a spinal implant, as shown and described.

DESCRIPTION

FIG. 1 is a front perspective view of a spinal implant showing our new design;

FIG. 2 is a right side elevation thereof;

FIG. 3 is a left side elevation thereof;

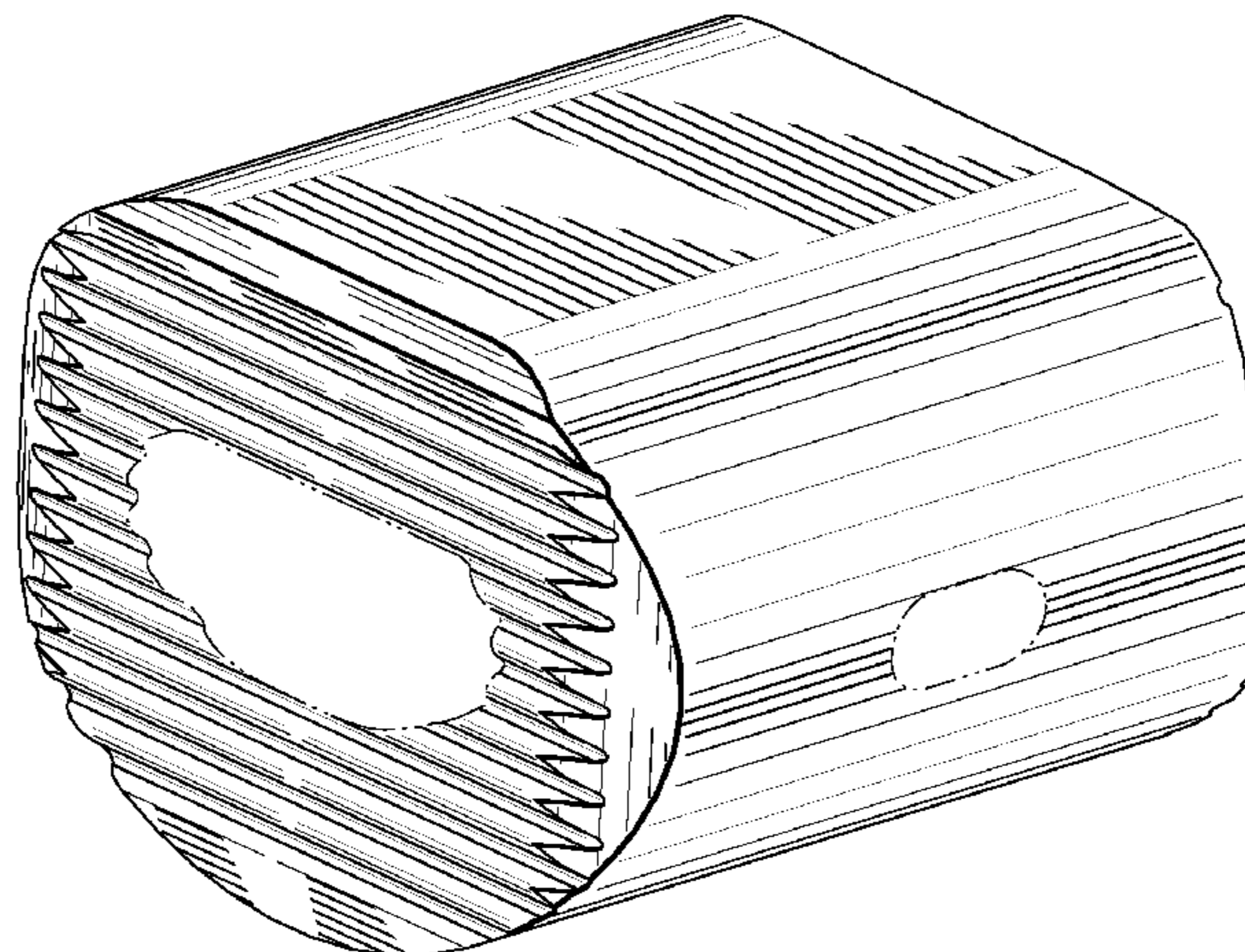
FIG. 4 is an end elevation thereof, the end opposite being a mirror image;

FIG. 5 is a rear elevation thereof; and,

FIG. 6 is a front elevation thereof.

The broken lines shown in the drawings represent environmental structure and form no part of the claimed design.

1 Claim, 3 Drawing Sheets



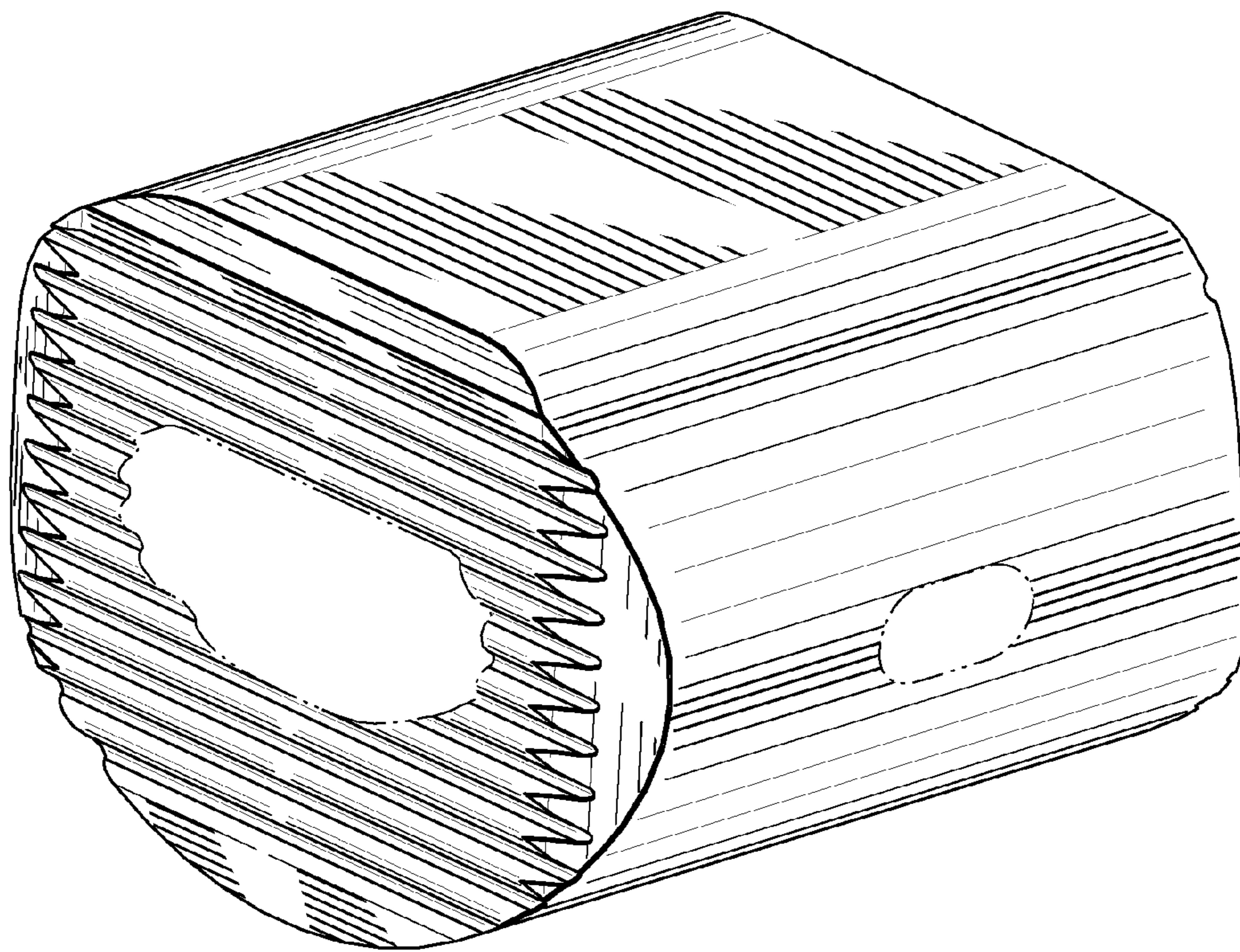


FIG. 1

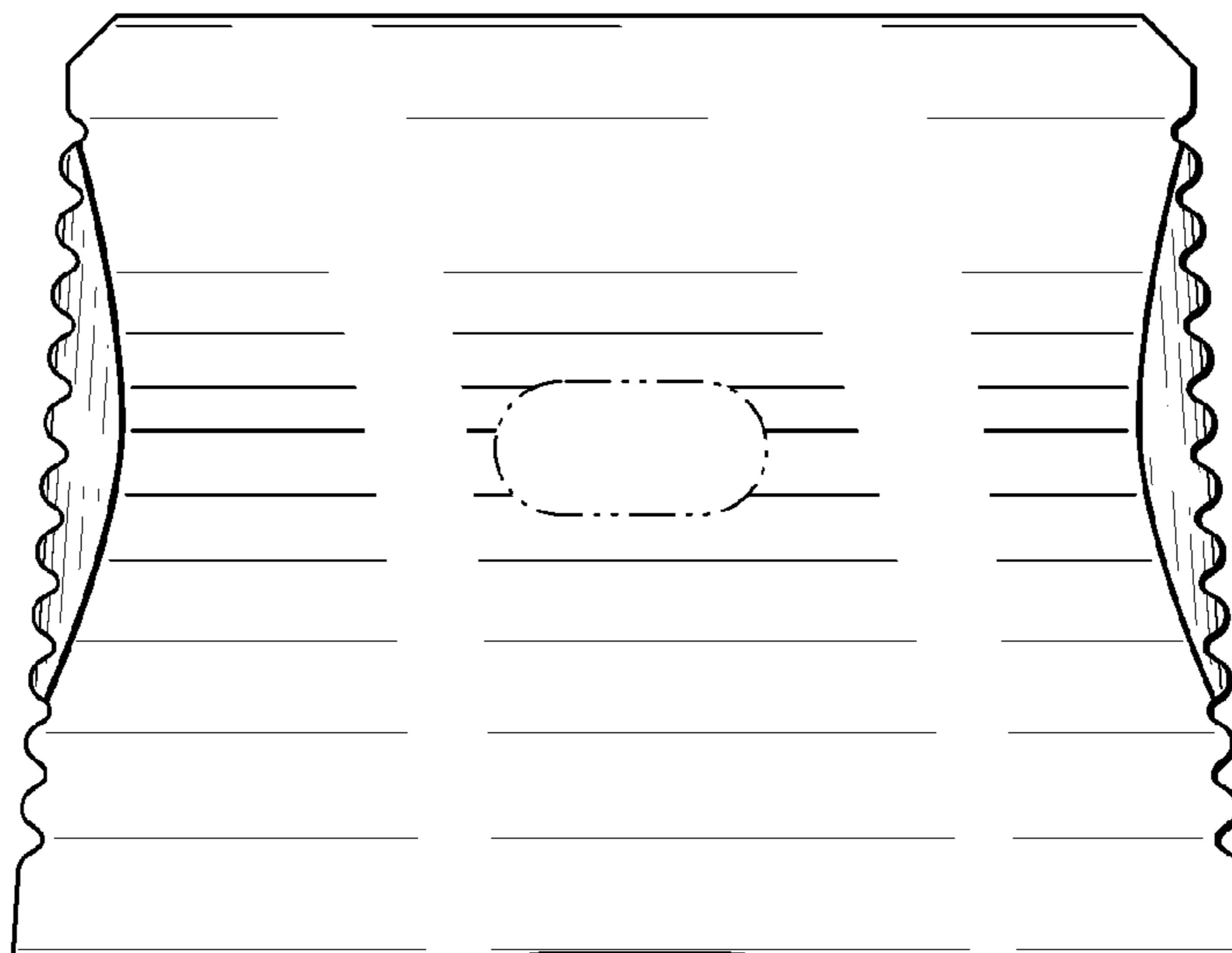


FIG. 2

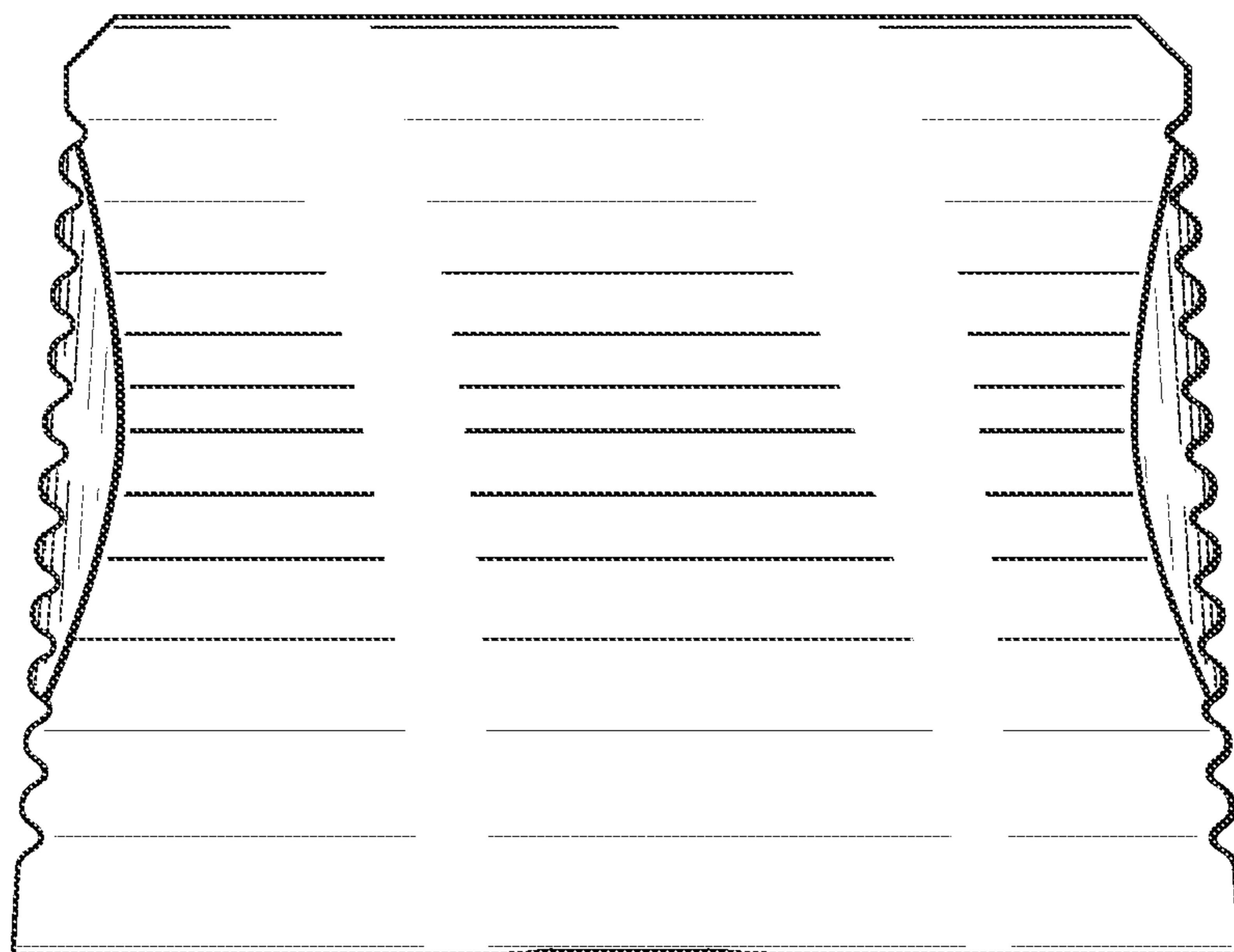


FIG. 3

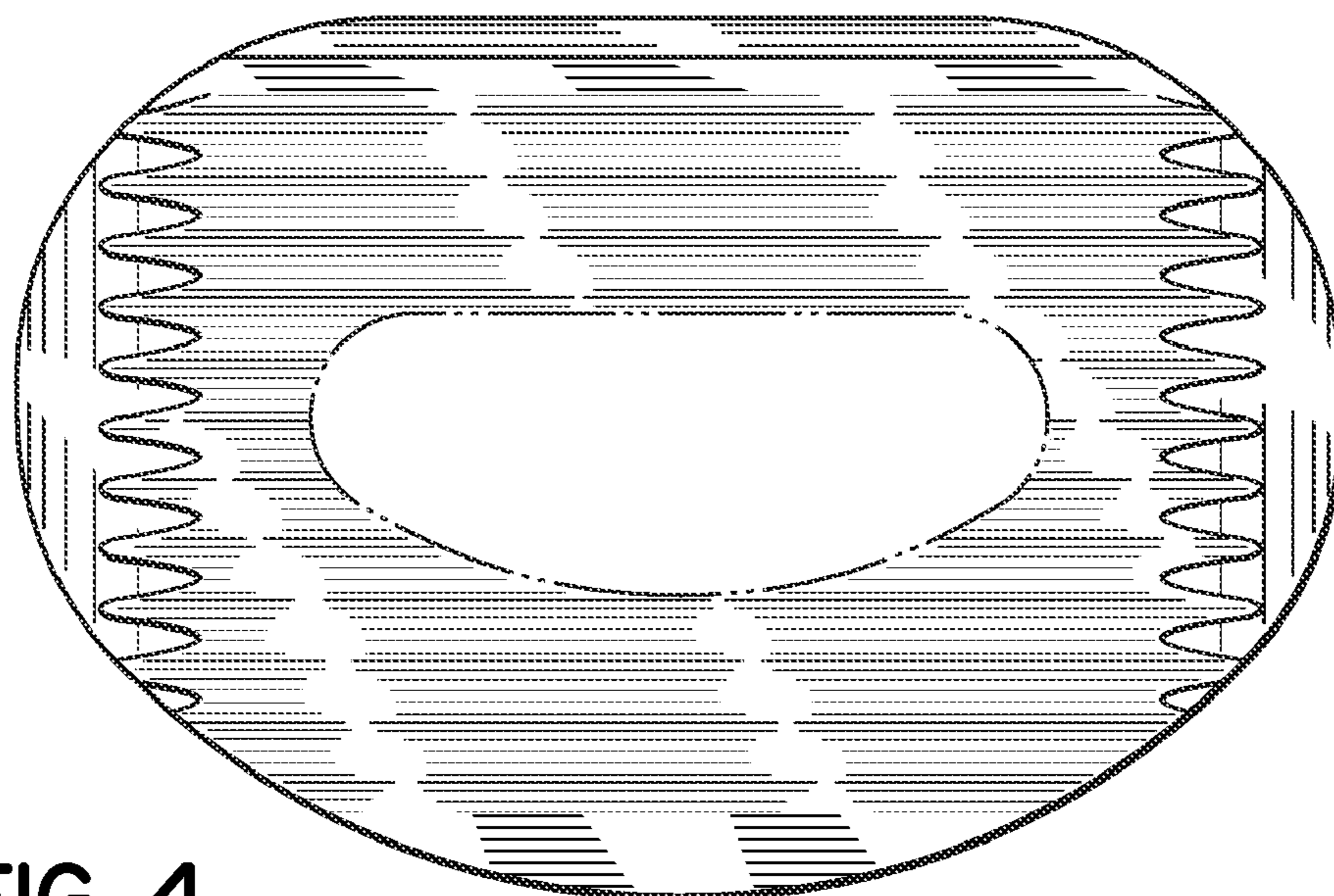


FIG. 4

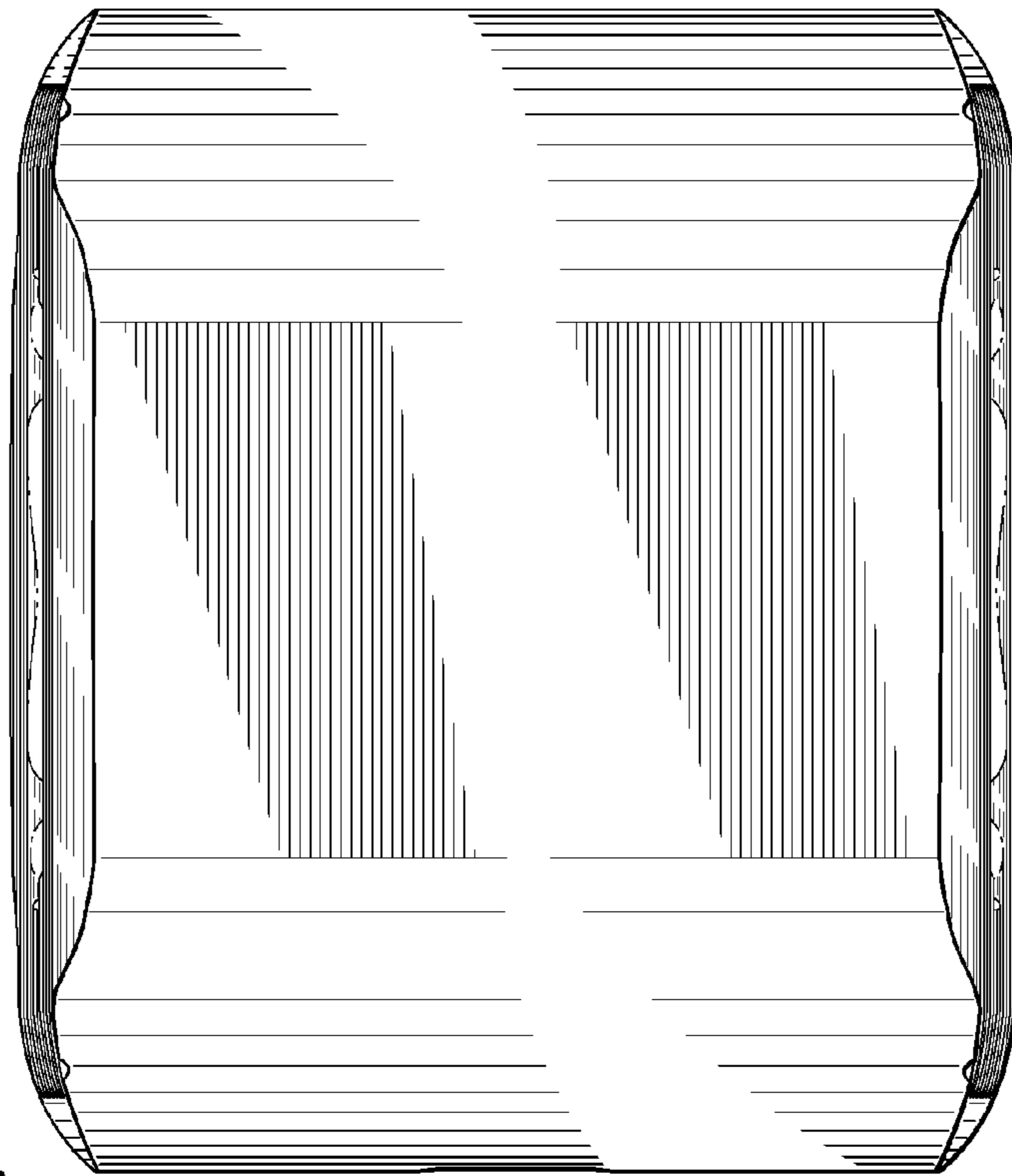


FIG. 5

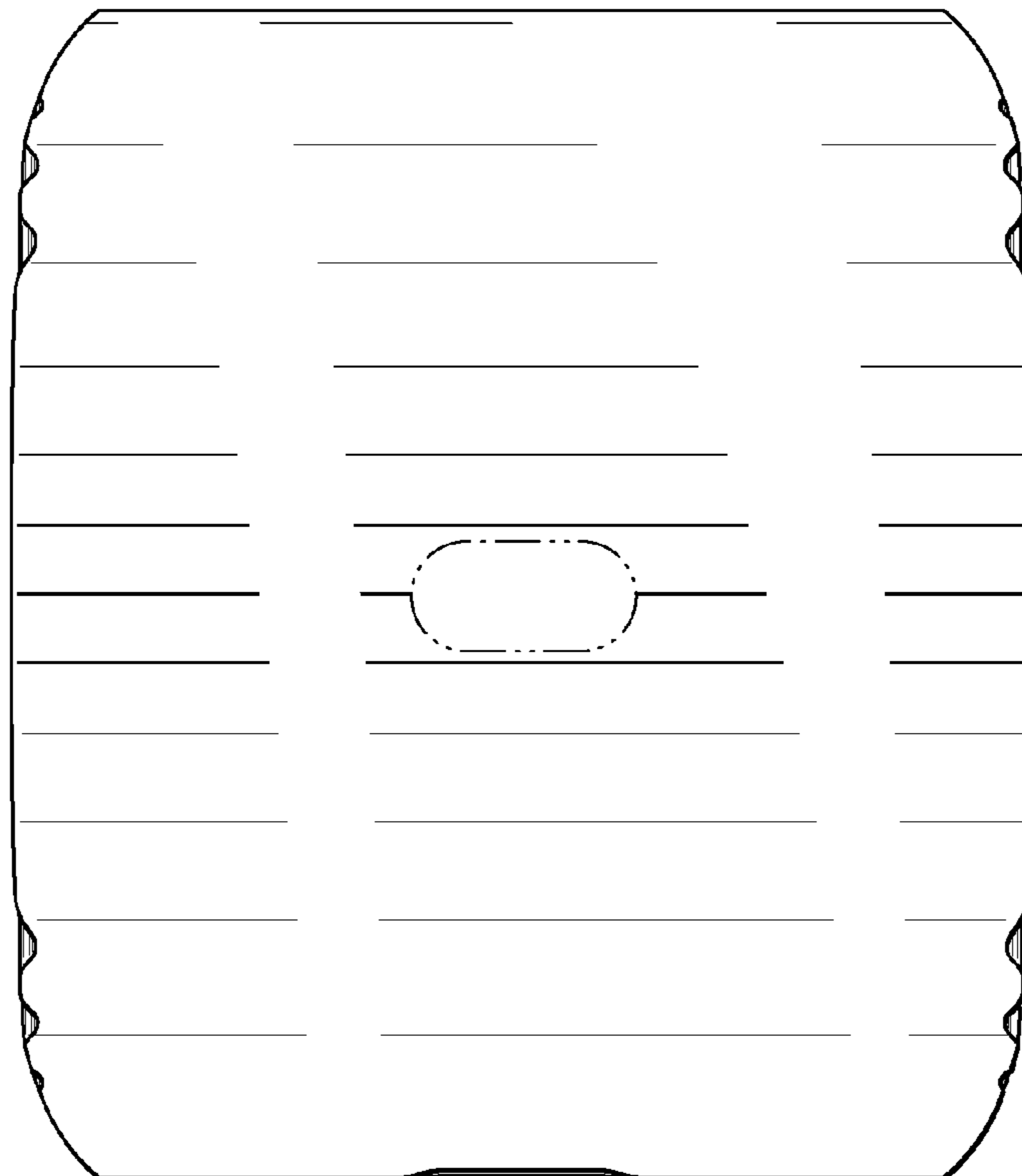


FIG. 6