



US00D567375S

(12) **United States Design Patent**  
**Amann**

(10) **Patent No.:** **US D567,375 S**

(45) **Date of Patent:** **\*\* \*Apr. 22, 2008**

(54) **ARTICULATOR FOR MAKING UPPER AND LOWER TEETH SET REPLICAS**

(75) Inventor: **Jürgen Amann**, Koblach (AT)

(73) Assignee: **Amann Girrbach GmbH**, Koblach (AT)

(\*\*) Term: **14 Years**

(21) Appl. No.: **29/227,243**

(22) Filed: **Apr. 8, 2005**

(51) **LOC (8) Cl.** ..... **10-10**

(52) **U.S. Cl.** ..... **D24/151**

(58) **Field of Classification Search** ..... D24/176,  
D24/133, 107, 180; D10/46, 70; 433/54-58,  
433/60-61

See application file for complete search history.

(56) **References Cited**

**U.S. PATENT DOCUMENTS**

D134,905	S *	1/1943	Jeanneret	.....	D24/176
2,688,800	A *	9/1954	Gerber	.....	433/58
2,797,483	A *	7/1957	Lisowski	.....	433/57
3,593,424	A *	7/1971	Lee	.....	433/55
3,965,576	A *	6/1976	Eveland	.....	433/56
4,209,909	A *	7/1980	Lee	.....	433/57
D258,838	S *	4/1981	Lee	.....	D24/182
4,260,377	A *	4/1981	Hobo et al.	.....	433/58
4,365,955	A *	12/1982	Tradowsky	.....	433/57
4,500,289	A *	2/1985	Garganese et al.	.....	433/54
4,624,639	A *	11/1986	Wong	.....	433/56
4,668,189	A *	5/1987	Levandoski	.....	433/55
D303,709	S *	9/1989	Roden et al.	.....	D24/156
5,334,017	A *	8/1994	Lang et al.	.....	433/57
5,385,470	A *	1/1995	Polz	.....	433/57
D362,069	S *	9/1995	Ai et al.	.....	D24/182

5,494,440	A *	2/1996	Silva et al.	.....	433/58
5,707,233	A *	1/1998	Hobo et al.	.....	433/55
6,422,863	B1 *	7/2002	Squicciarini	.....	433/60
6,558,161	B2 *	5/2003	Nagata	.....	433/57

**FOREIGN PATENT DOCUMENTS**

DE	40502024.4	6/2006
DE	102005016741	10/2006
WO	WO2006/109247	10/2006

\* cited by examiner

*Primary Examiner*—Charles A. Rademaker

(74) *Attorney, Agent, or Firm*—Foley & Lardner LLP

(57) **CLAIM**

The ornamental design for an articulator for making upper and lower teeth set replicas, as shown and described.

**DESCRIPTION**

FIG. 1 is a front perspective view of an articulator for making upper and lower teeth set replicas showing my new design;

FIG. 2 is a right side elevation thereof showing some of the components in rotated positions, the side opposite being substantially a mirror image;

FIG. 3 is a rear elevation thereof;

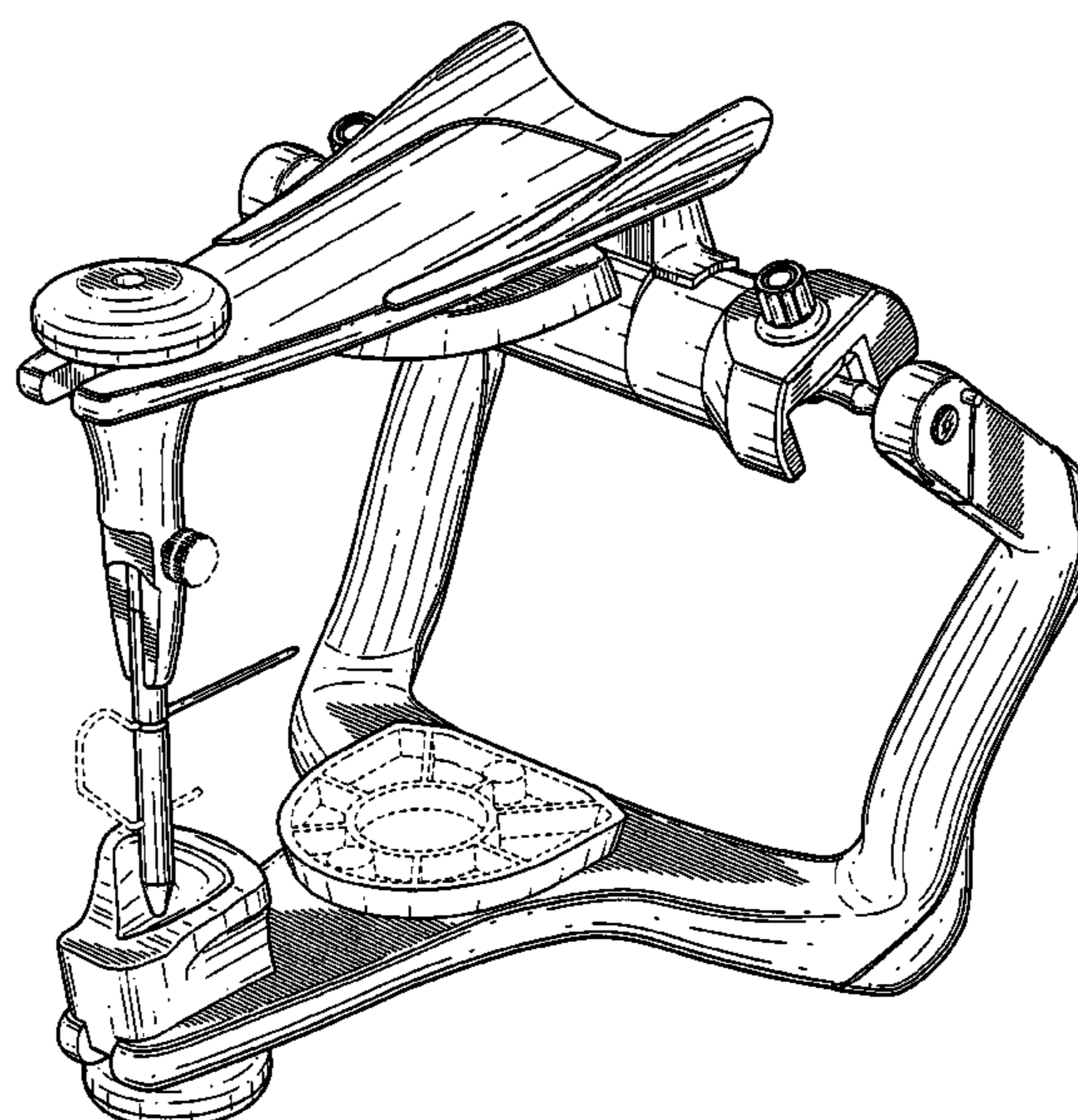
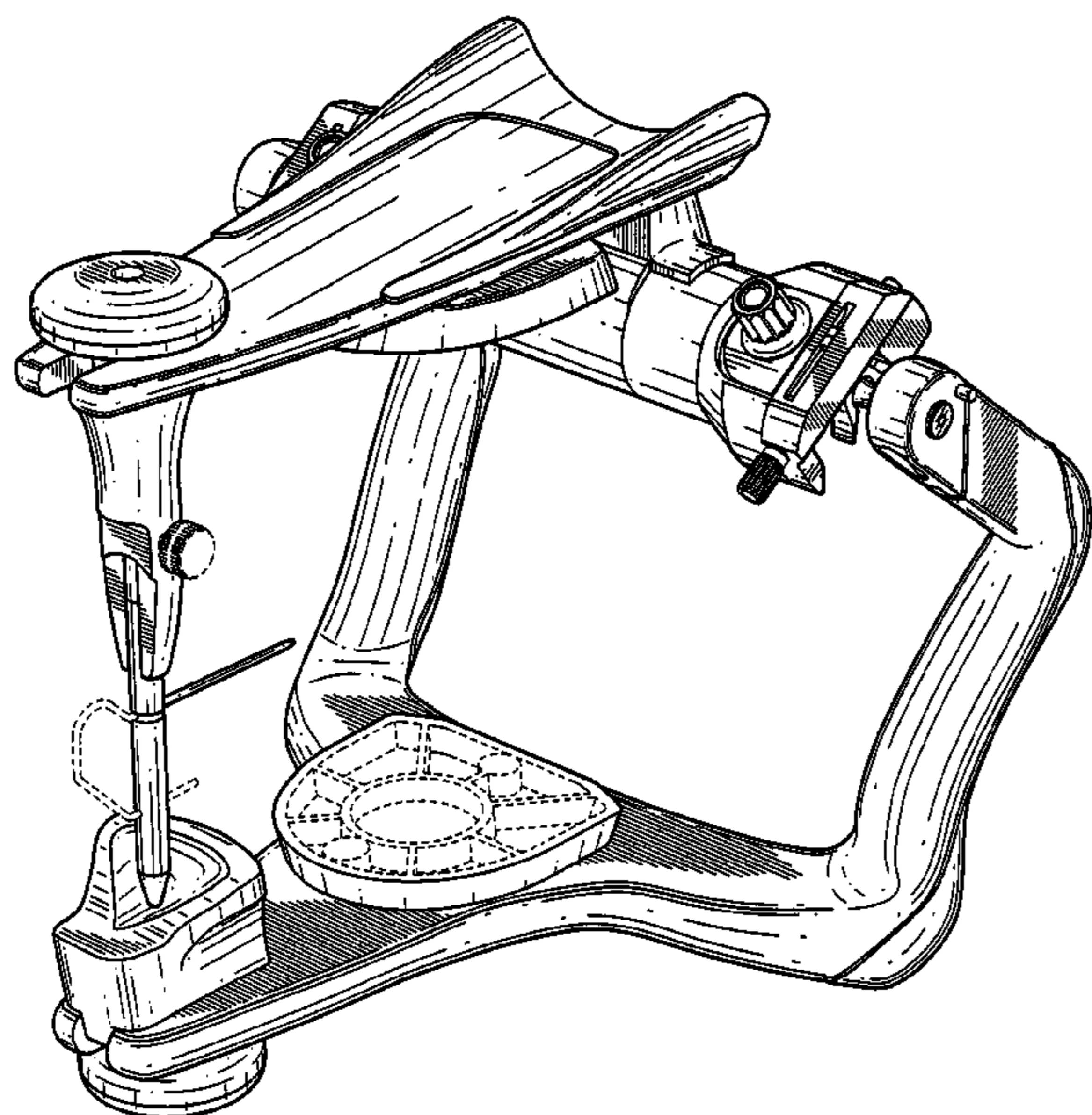
FIG. 4 is a top plan view thereof;

FIG. 5 is a front elevation thereof showing some of the components in rotated positions; and,

FIG. 6 is a front perspective view of a modified embodiment of the design shown in FIGS. 1 through 5.

The broken lines shown in the drawings illustrate environmental structures and form no part of the claimed design.

**1 Claim, 6 Drawing Sheets**



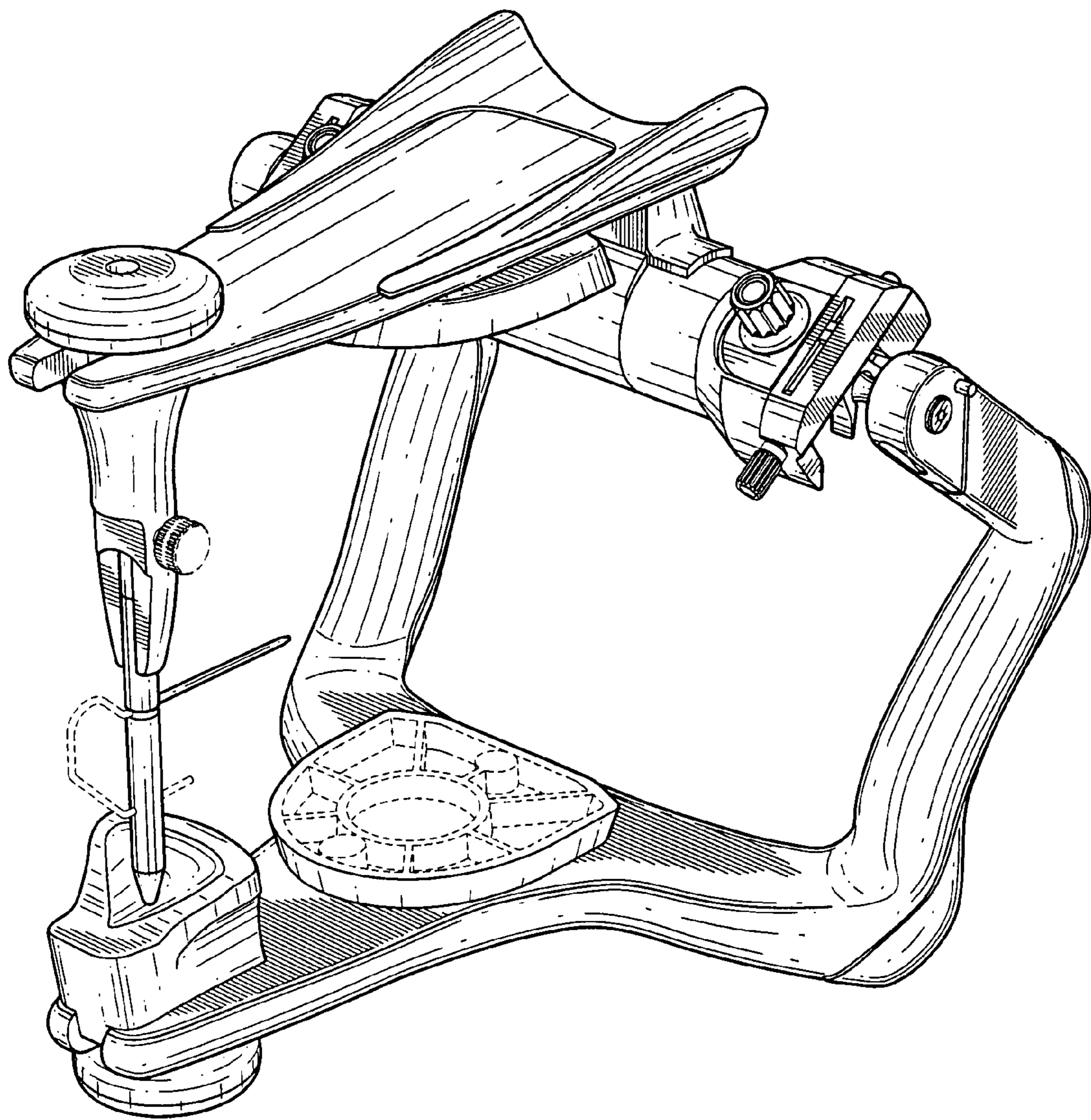


FIG. 1

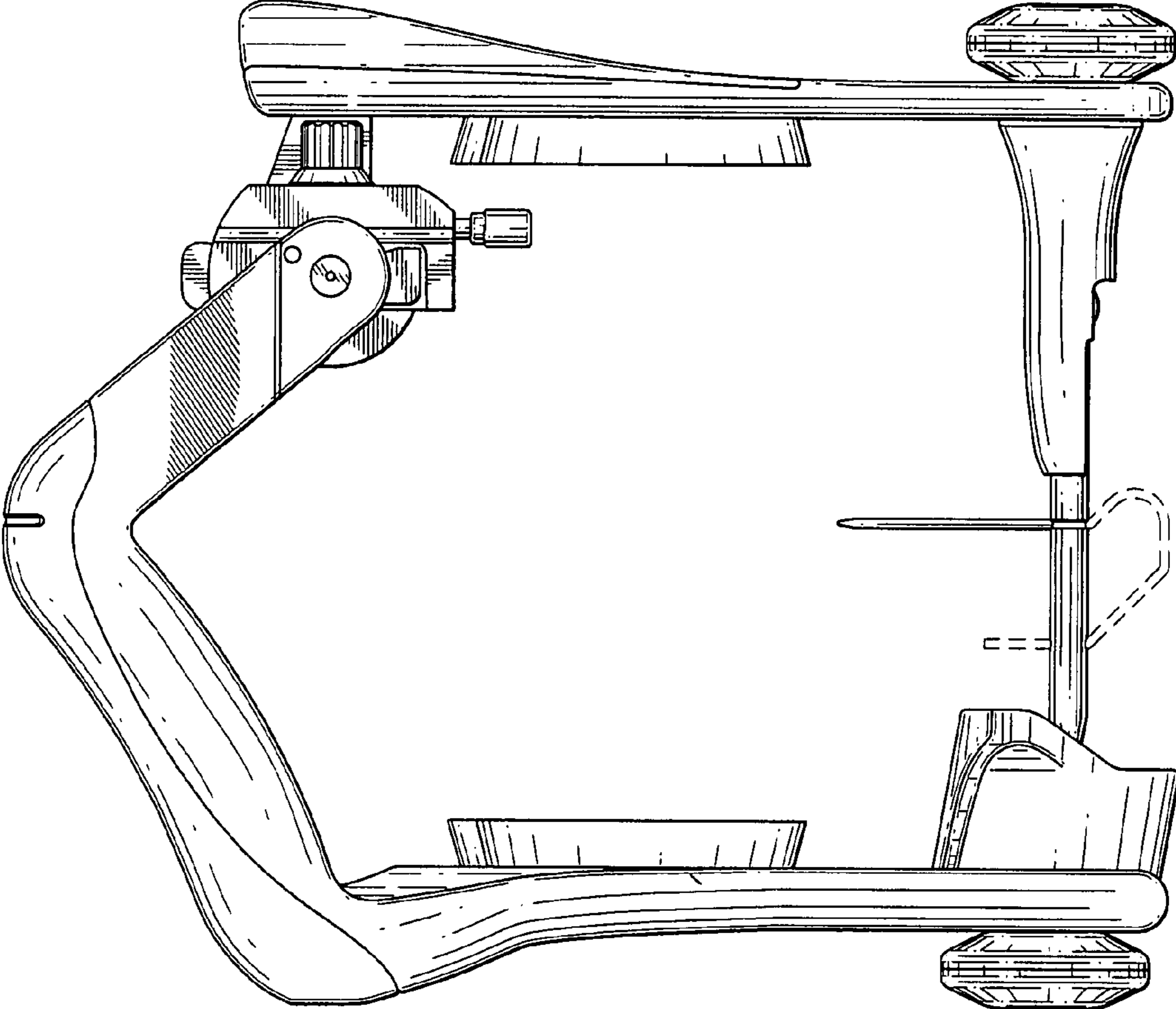


FIG.2

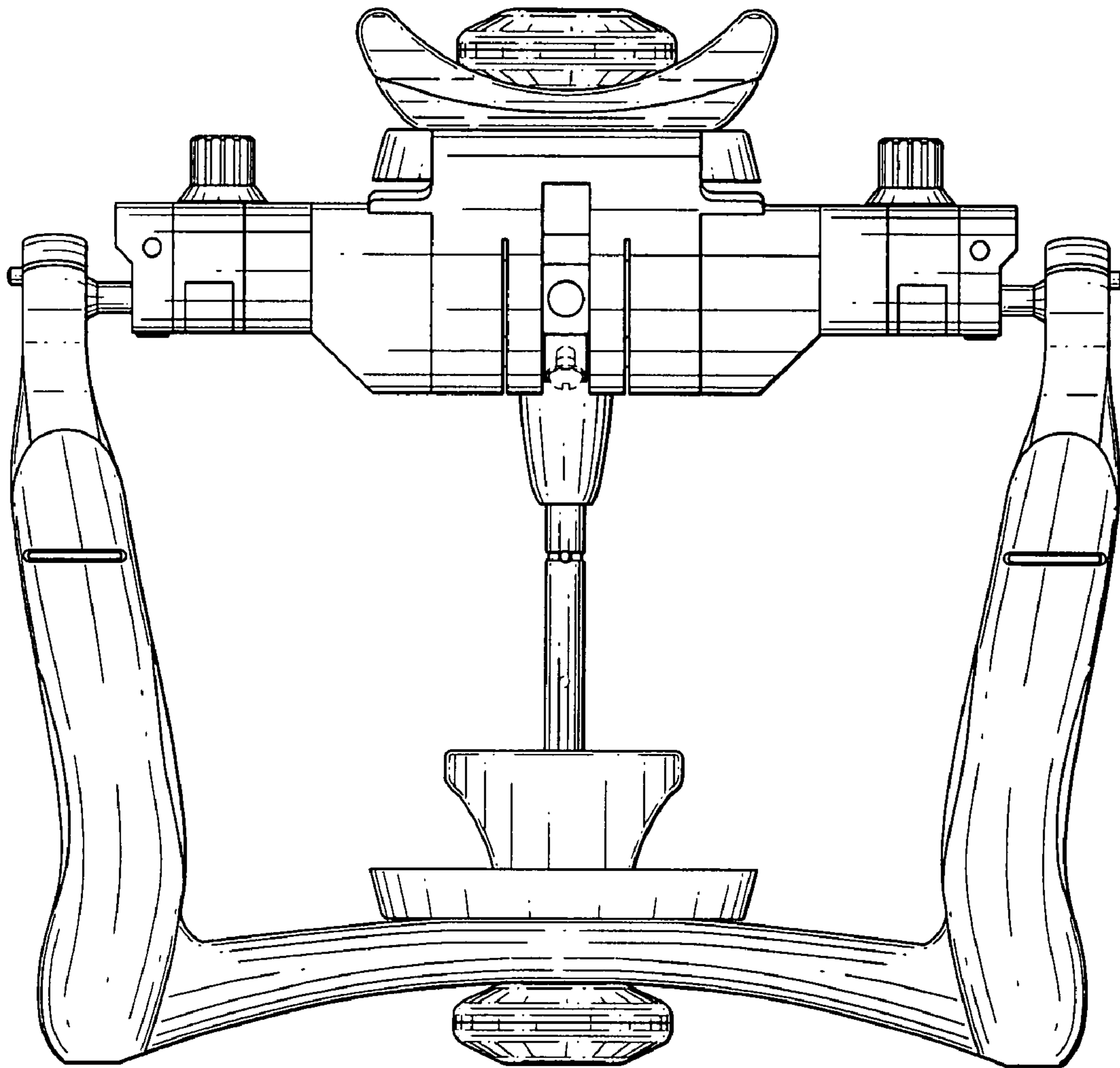


FIG. 3

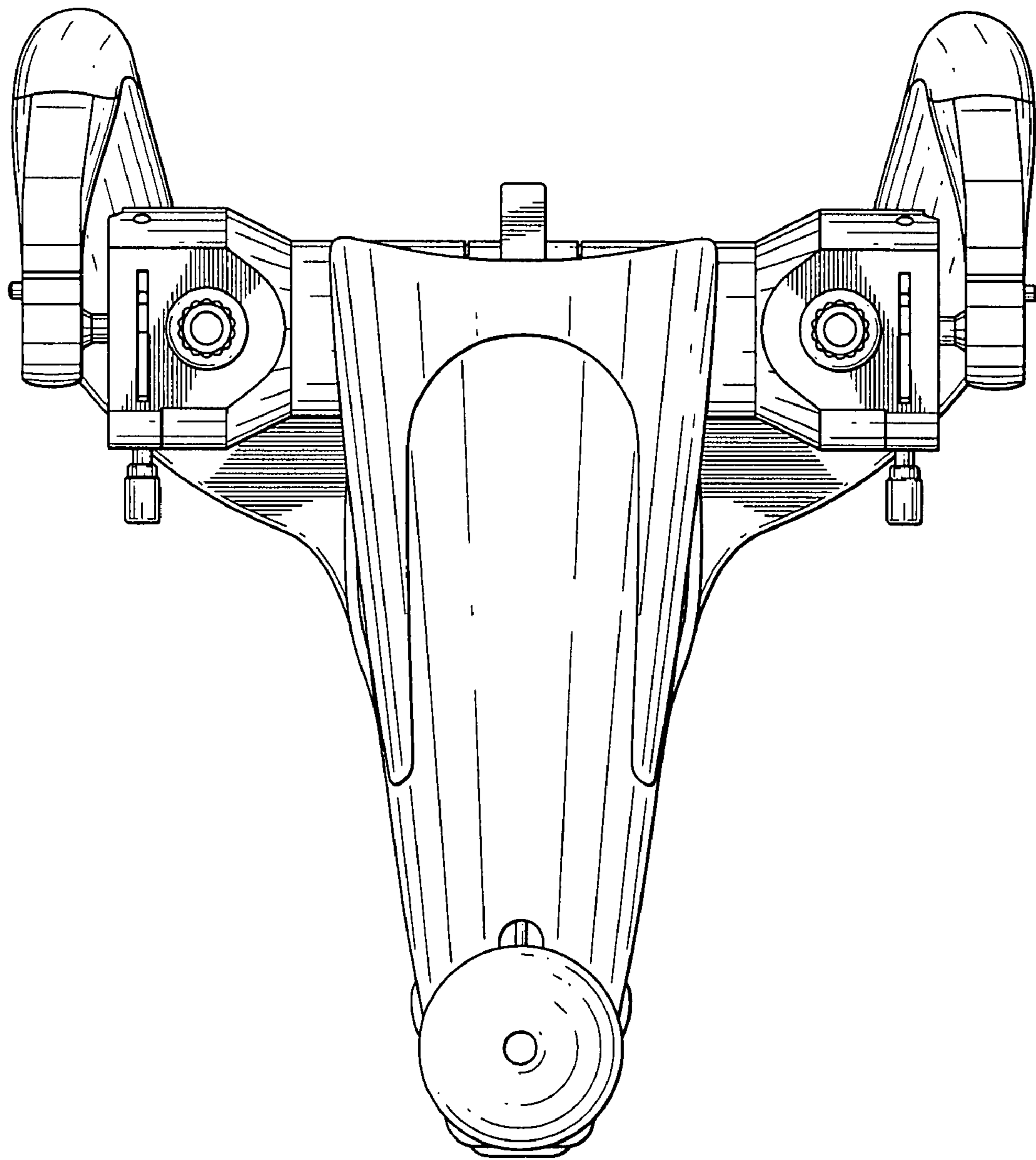


FIG.4

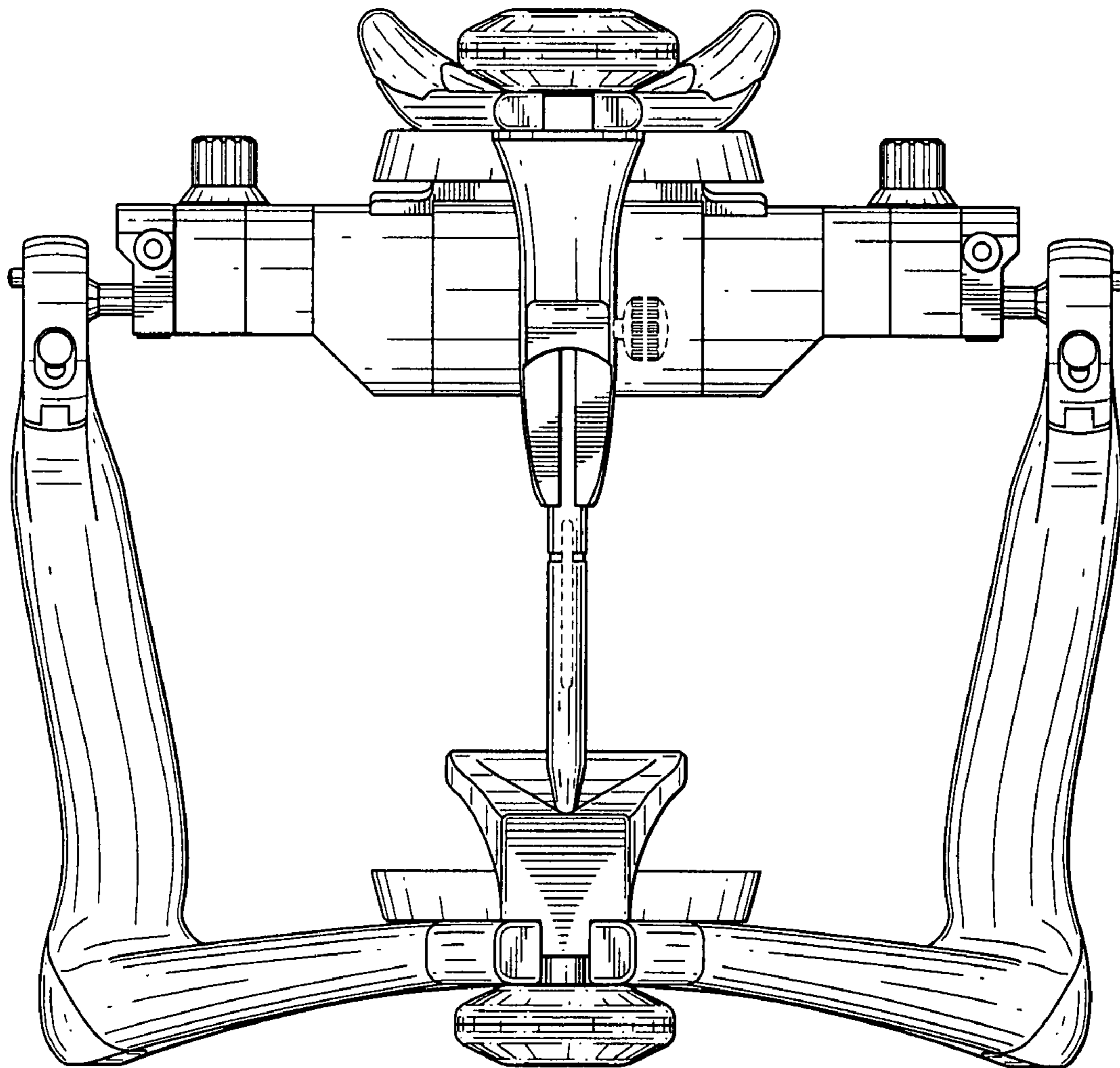


FIG. 5

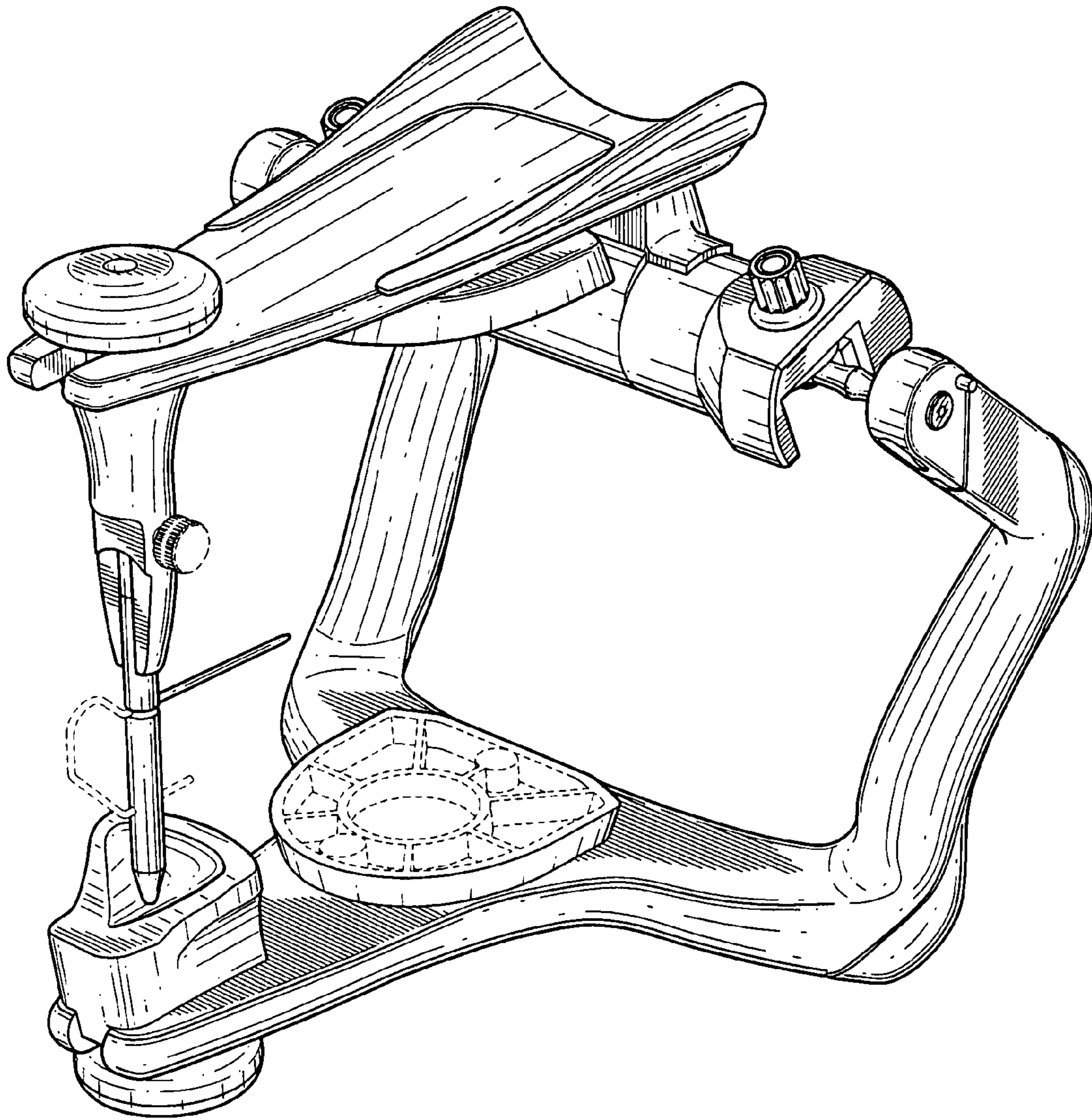


FIG. 6