



US00D567372S

(12) **United States Design Patent**
Chesnin

(10) **Patent No.:** **US D567,372 S**
(45) **Date of Patent:** **** Apr. 22, 2008**

(54) **CATHETER INFORMATION CLIP**

(75) Inventor: **Kenneth Chesnin**, Philadelphia, PA
(US)

(73) Assignee: **Medical Components, Inc.**,
Harleysville, PA (US)

(**) Term: **14 Years**

(21) Appl. No.: **29/269,440**

(22) Filed: **Nov. 30, 2006**

(51) **LOC (8) Cl.** **24-02**

(52) **U.S. Cl.** **D24/128**

(58) **Field of Classification Search** D24/127,
D24/128, 129, 133, 143; D8/394-396; D20/22;
40/299.01, 316, 666

See application file for complete search history.

(56) **References Cited**

U.S. PATENT DOCUMENTS

D31,083	S *	6/1899	Seng	D8/394
1,580,649	A	4/1926	Christiansen		
3,068,600	A	12/1962	Blanchet		
4,256,132	A	3/1981	Gunter		
4,378,648	A	4/1983	Loof et al.		
4,429,852	A	2/1984	Tersteegen et al.		
D273,993	S *	5/1984	Schulte et al.	D24/128
4,497,124	A	2/1985	Olive		
4,775,121	A	10/1988	Carty		
4,876,810	A	10/1989	Piana et al.		
5,035,399	A	7/1991	Rantanen-Lee		
5,138,784	A	8/1992	Niwa		
5,203,056	A *	4/1993	Funk et al.	24/543
5,275,282	A *	1/1994	Ross et al.	206/389
5,281,228	A	1/1994	Wolfson		
5,309,604	A	5/1994	Poulsen		
5,316,246	A	5/1994	Scott et al.		
5,407,109	A	4/1995	Zuckerman		
D381,367	S *	7/1997	Rashman	D20/22
5,950,883	A	9/1999	Bond et al.		
5,971,436	A *	10/1999	Cox	283/81
5,974,708	A *	11/1999	Webb et al.	40/316

6,089,527	A	7/2000	Utterberg		
D477,776	S *	7/2003	Pontaoe	D8/396
6,651,362	B2 *	11/2003	Caveney	40/316
D489,452	S *	5/2004	Schweikert	D24/128
D491,265	S *	6/2004	Schweikert	D24/128
D498,299	S	11/2004	Schweikert		
6,823,617	B2	11/2004	Schweikert		
2003/0066218	A1 *	4/2003	Schweikert	40/299.01
2003/0093932	A1 *	5/2003	Battaglia, Jr.	40/299.01
2004/0068902	A1	4/2004	Hadzic et al.		
2004/0159024	A1 *	8/2004	Wortley et al.	40/316
2005/0044759	A1 *	3/2005	Schweikert	40/299.01

* cited by examiner

Primary Examiner—Louis S. Zarfes

Assistant Examiner—Eric L Goodman

(74) *Attorney, Agent, or Firm*—Anton P. Ness, Esquire; Fox Rothschild LLP

(57) **CLAIM**

The ornamental design for a catheter information clip, as shown and described.

DESCRIPTION

FIG. 1 is an isometric view of a catheter information clip according to the present invention; a catheter is shown in broken line for illustrative purposes only and forms no part of the claimed design.

FIG. 2 is an isometric view of the catheter information clip shown in FIG. 1, alone.

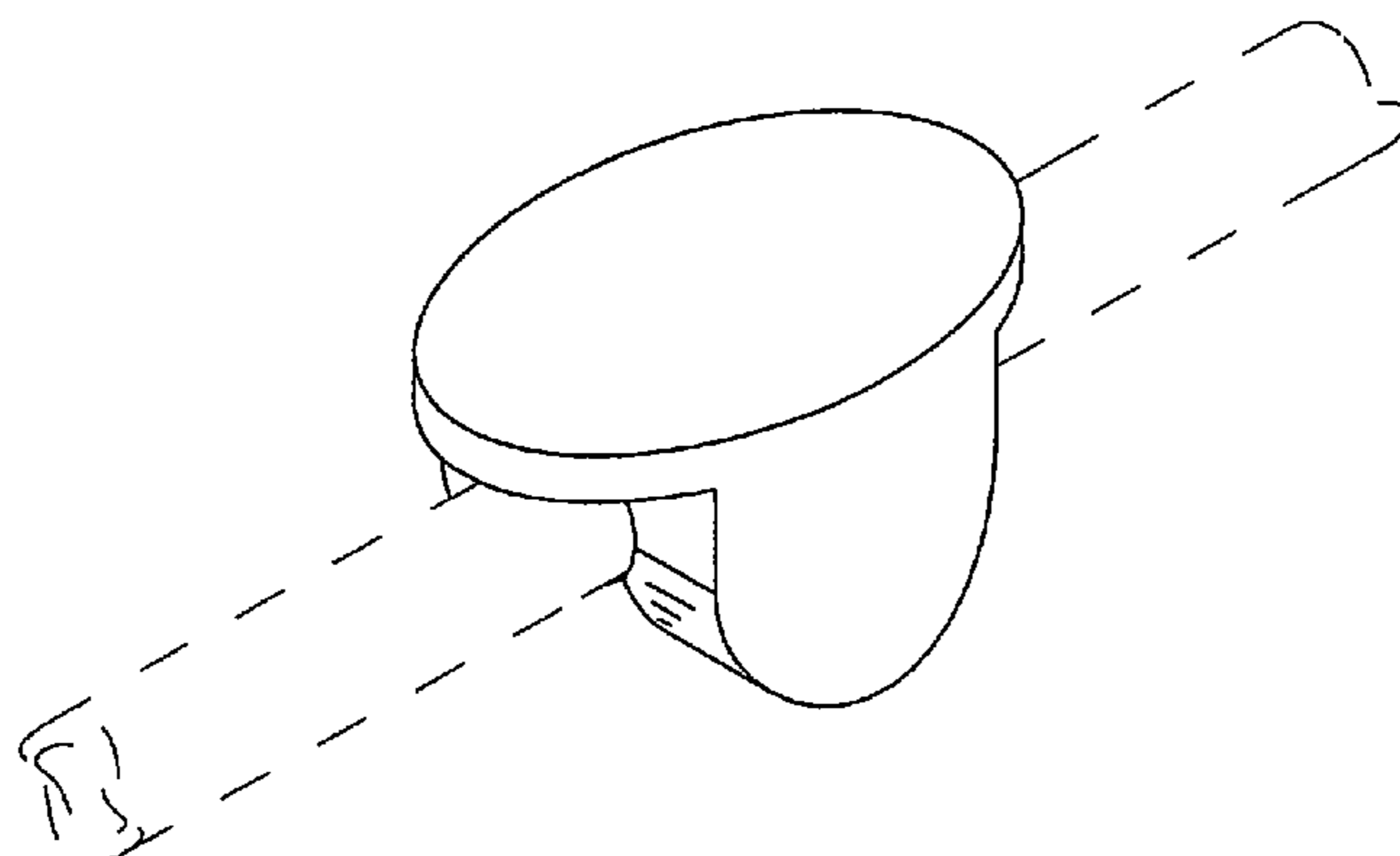
FIG. 3 is a proximal end view of the catheter information clip as shown in FIG. 1, the distal end being a mirror image thereof.

FIG. 4 is a top view of the catheter information clip shown in FIG. 1.

FIG. 5 is a bottom view of the catheter information clip shown in FIG. 1; and,

FIG. 6 is a right side view of the catheter information clip shown in FIG. 1.

1 Claim, 2 Drawing Sheets



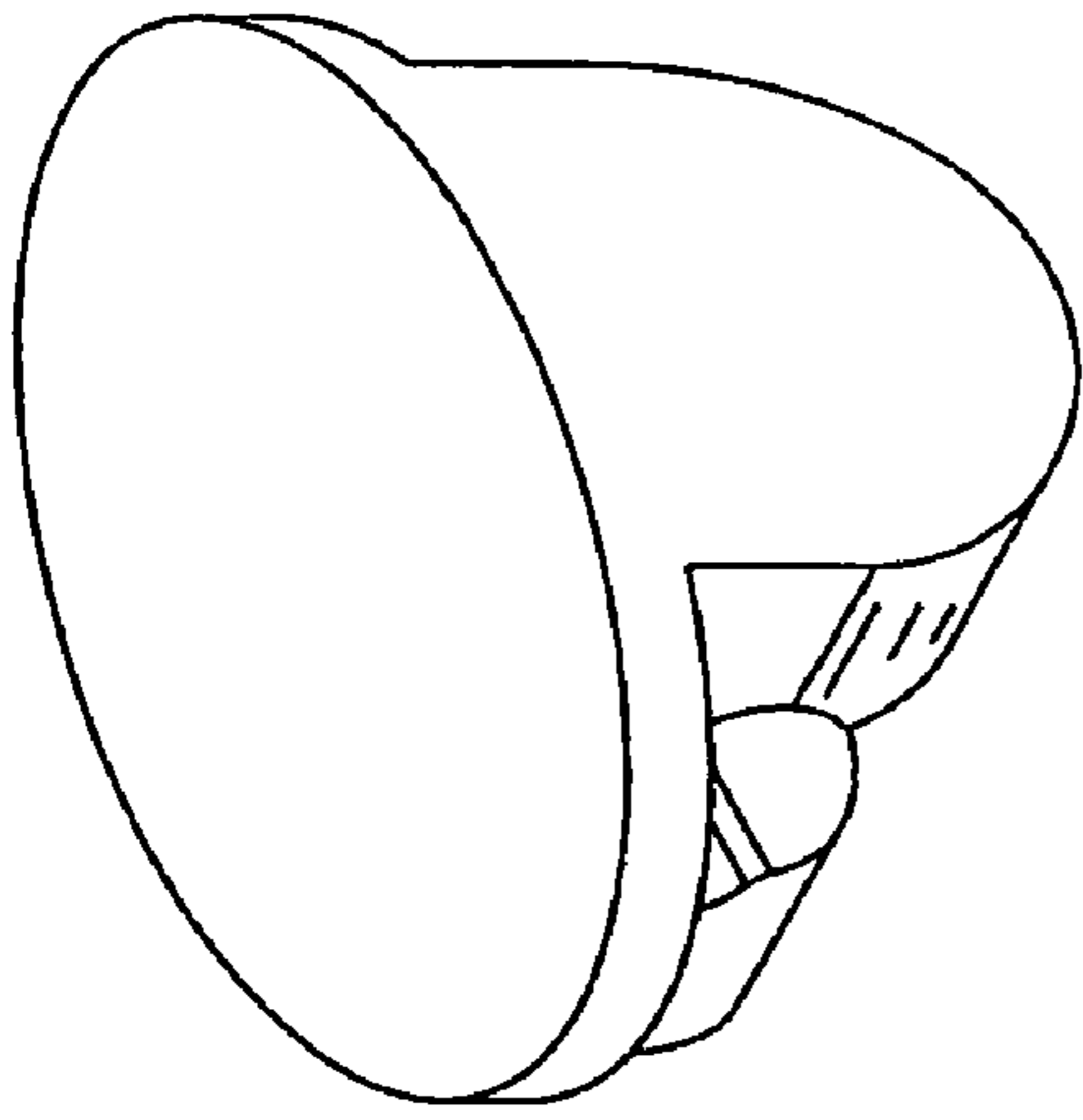


FIG. 2

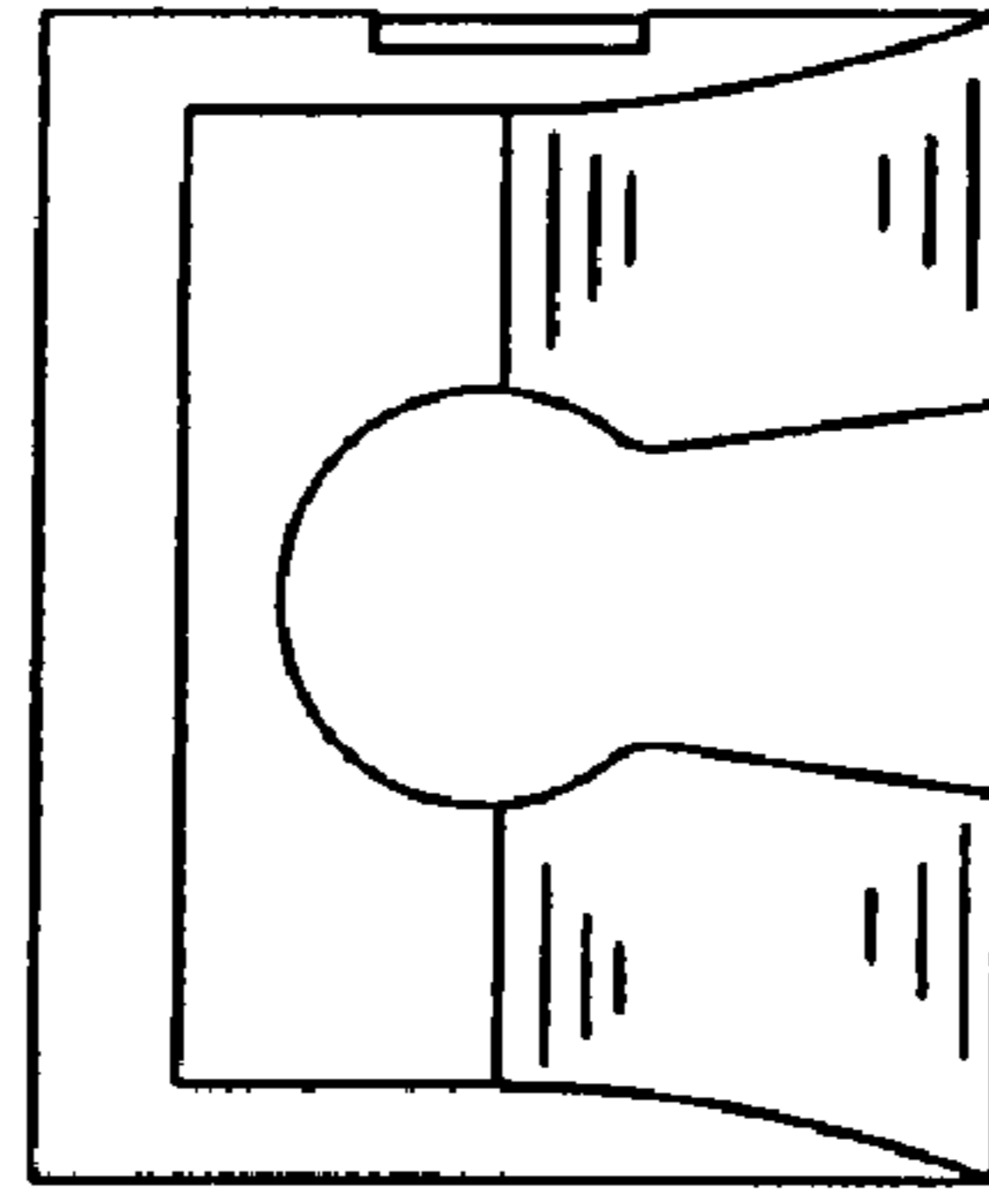


FIG. 3

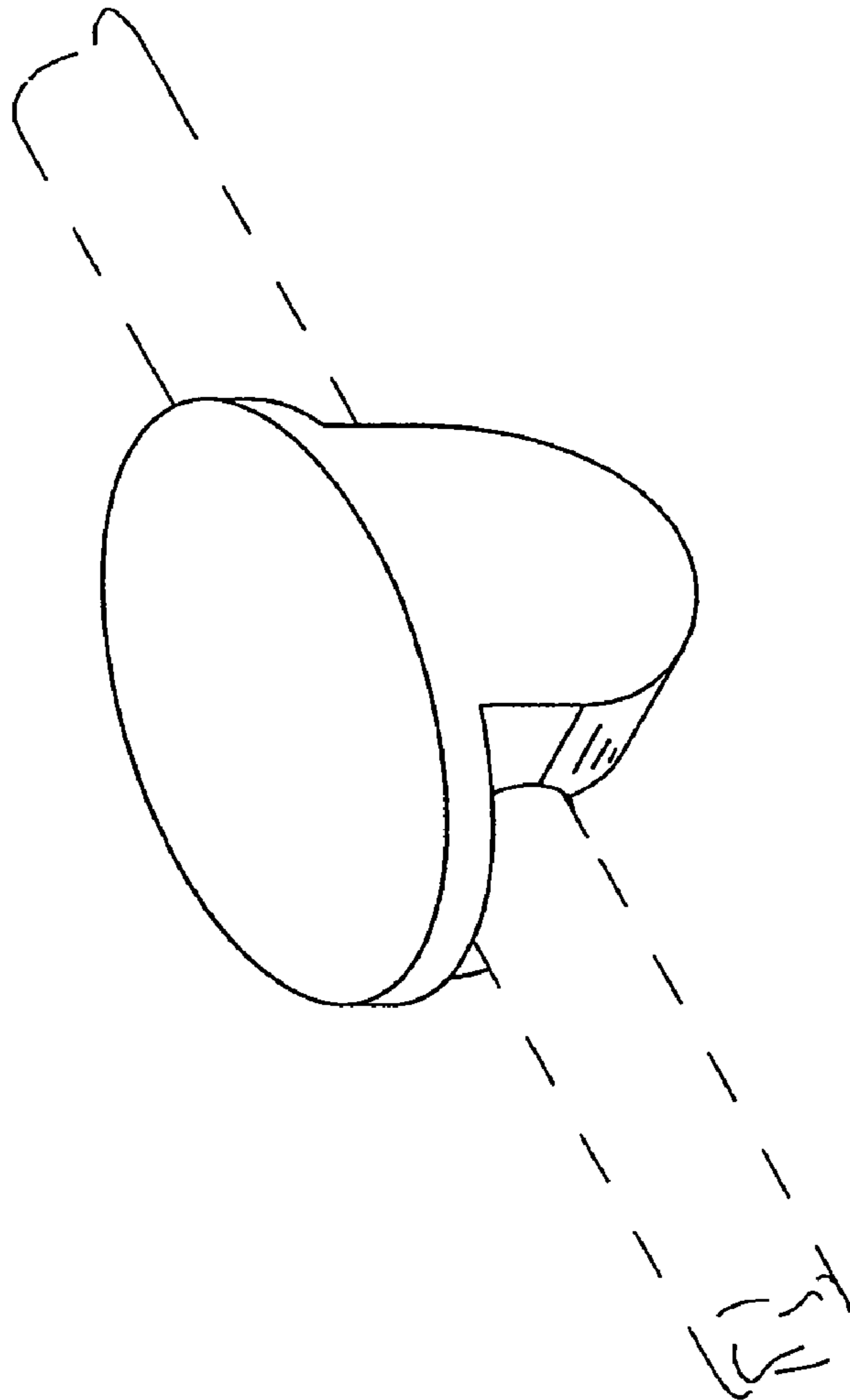


FIG. 1

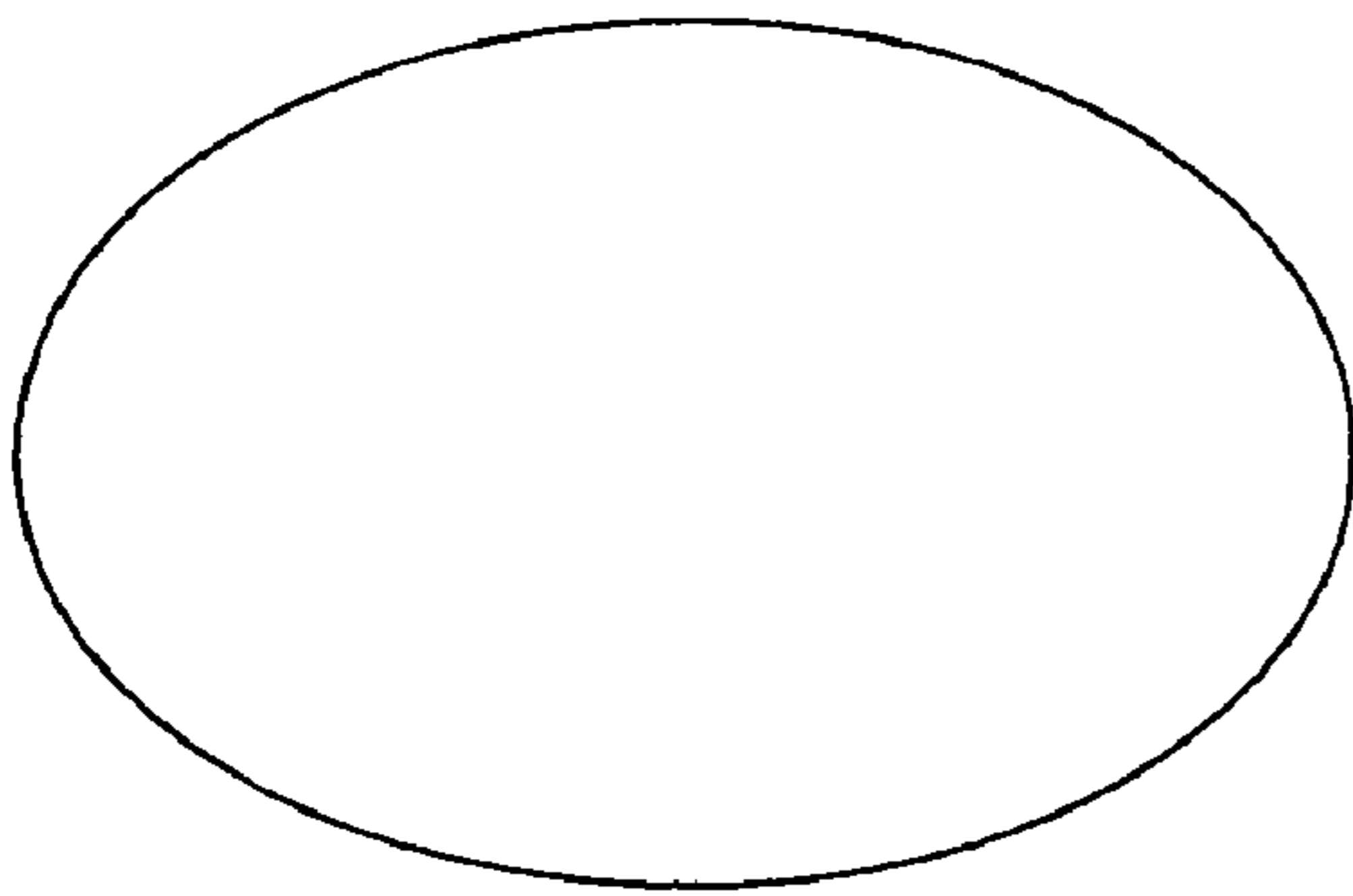


FIG. 4

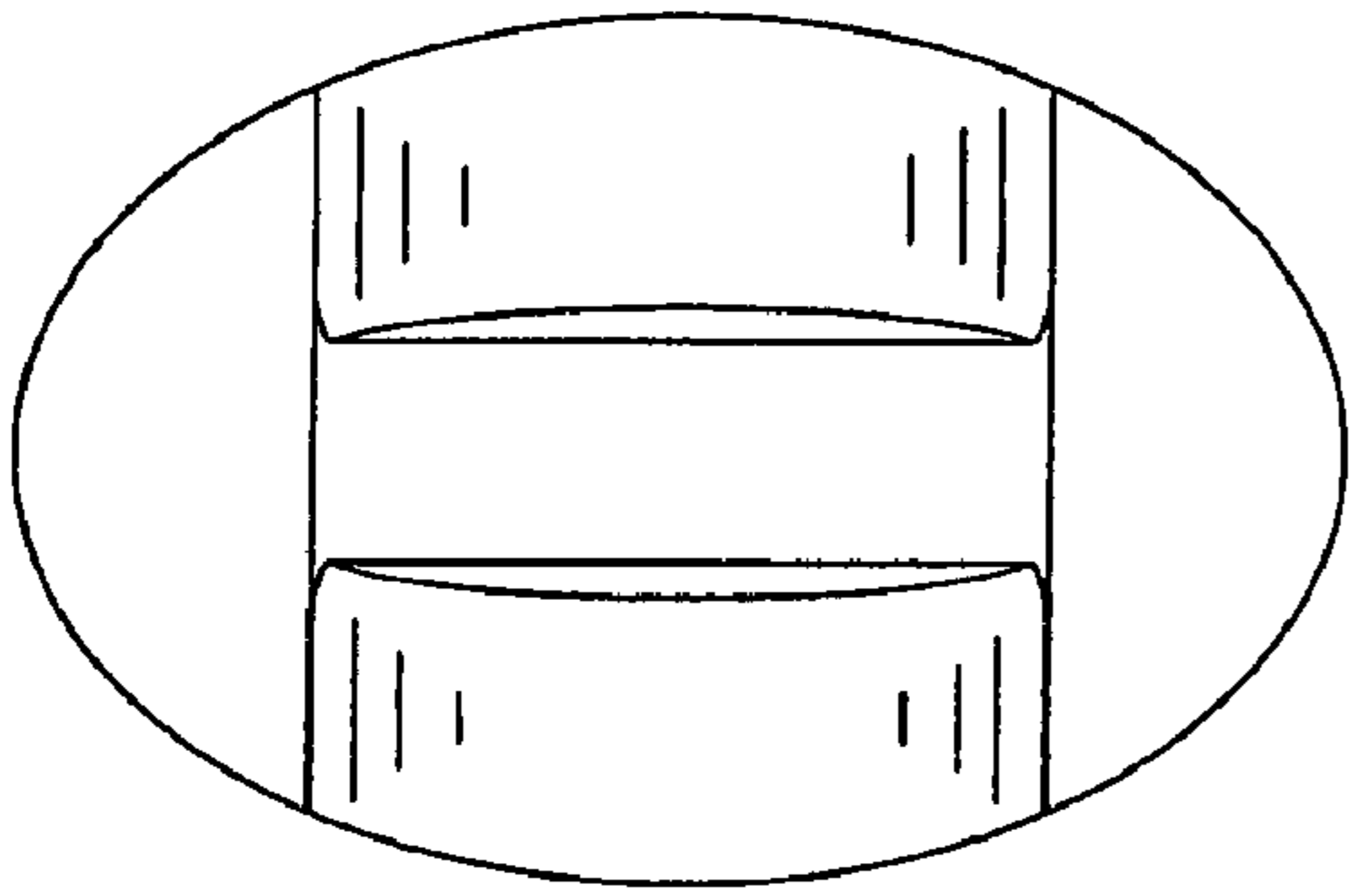


FIG. 5

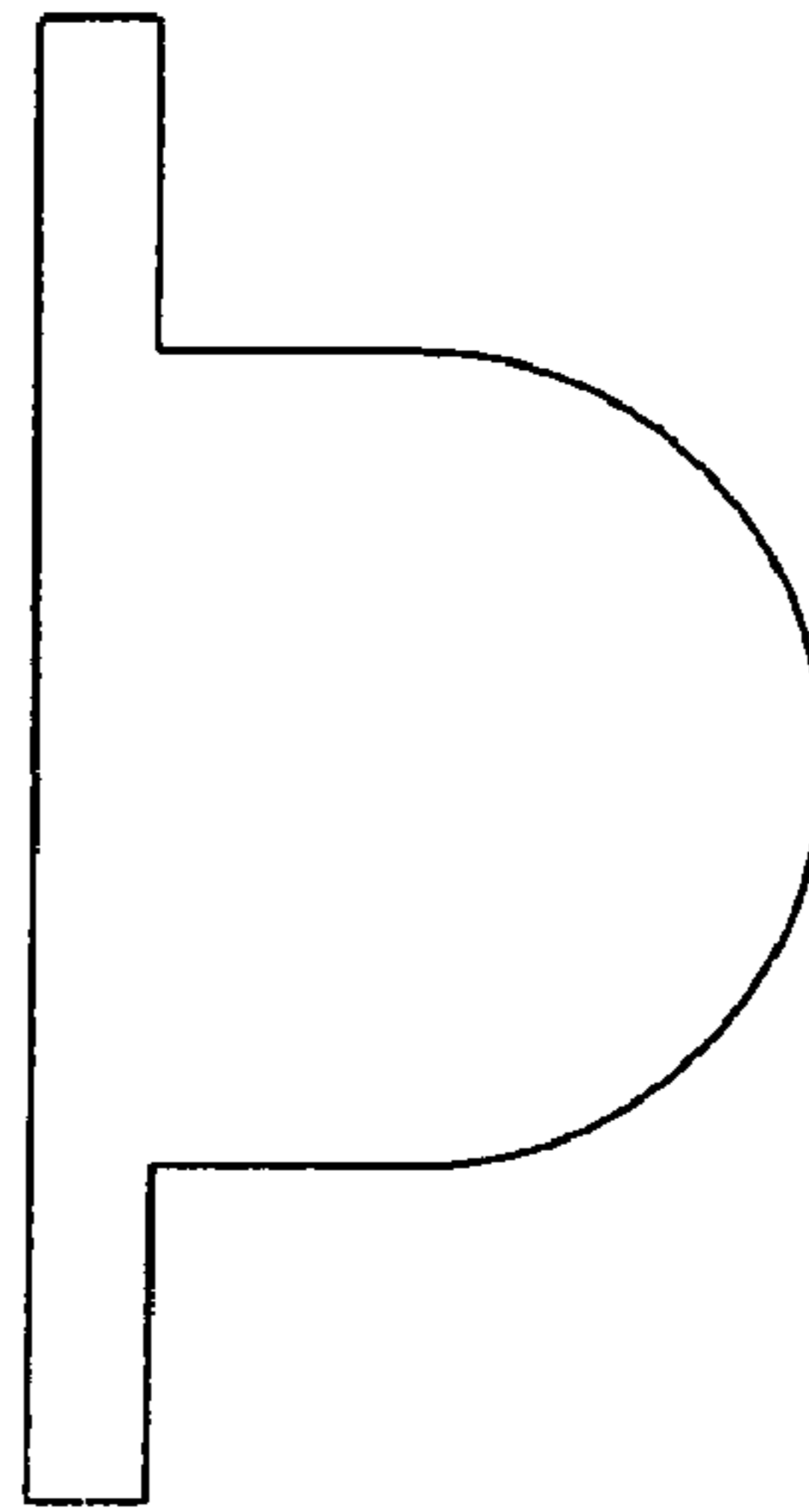


FIG. 6