

US00D567368S

(12) **United States Design Patent**
Guptill

(10) **Patent No.:** **US D567,368 S**

(45) **Date of Patent:** **** Apr. 22, 2008**

(54) **DISPOSABLE URINE SPECIMEN COLLECTOR**

(76) Inventor: **Donna M. Guptill**, 157 Shelter Rock Rd., Unit #44, Danbury, CT (US) 06810

(**) Term: **14 Years**

(21) Appl. No.: **29/282,667**

(22) Filed: **Jul. 26, 2007**

(51) **LOC (8) Cl.** **24-04**

(52) **U.S. Cl.** **D24/122**

(58) **Field of Classification Search** D24/122,
D24/123, 121, 224; D23/274, 302, 295,
D23/309; 4/114.1, 144.1-144.4, 459, 460;
604/317, 318, 334; 600/573

See application file for complete search history.

(56) **References Cited**

U.S. PATENT DOCUMENTS

3,625,654	A *	12/1971	Van Duyne	4/144.1
D267,118	S *	11/1982	Burnett	D24/122
D269,378	S	6/1983	Work		
D274,469	S *	6/1984	Huang et al.	D24/122
4,832,046	A	5/1989	Parrish		
D303,572	S *	9/1989	Parrish	D24/122
D303,573	S	9/1989	Parrish		
D339,861	S *	9/1993	Da Silva	D23/302
D370,975	S *	6/1996	Mohr	D24/122
D376,201	S *	12/1996	Norton	D24/122
D379,225	S *	5/1997	Canahuate et al.	D24/122
D409,747	S *	5/1999	Aiken	D24/122

5,920,916	A *	7/1999	Norton	4/144.3
D433,274	S *	11/2000	Babayan	D24/224
D441,075	S *	4/2001	Nara	D24/122
D457,237	S *	5/2002	Azo	D24/122
6,485,438	B1	11/2002	Minue		
D481,794	S *	11/2003	Krinsky	D24/121
D488,226	S *	4/2004	MacDonald et al.	D24/122
D499,180	S *	11/2004	Best	D24/122
7,000,963	B2	2/2006	Dodd et al.		
D530,815	S *	10/2006	Murphy et al.	D24/121
D543,274	S *	5/2007	Takahashi	D24/122
2002/0169395	A1	11/2002	Huang		
2005/0187492	A1	8/2005	Geibel et al.		

* cited by examiner

Primary Examiner—Louis S. Zarfaz
Assistant Examiner—David G Muller

(57) **CLAIM**

The ornamental design for a disposable urine specimen collector, as shown and described.

DESCRIPTION

FIG. 1 is a right elevation view of a disposable urine specimen collector showing my new design;

FIG. 2 is a front elevation view thereof;

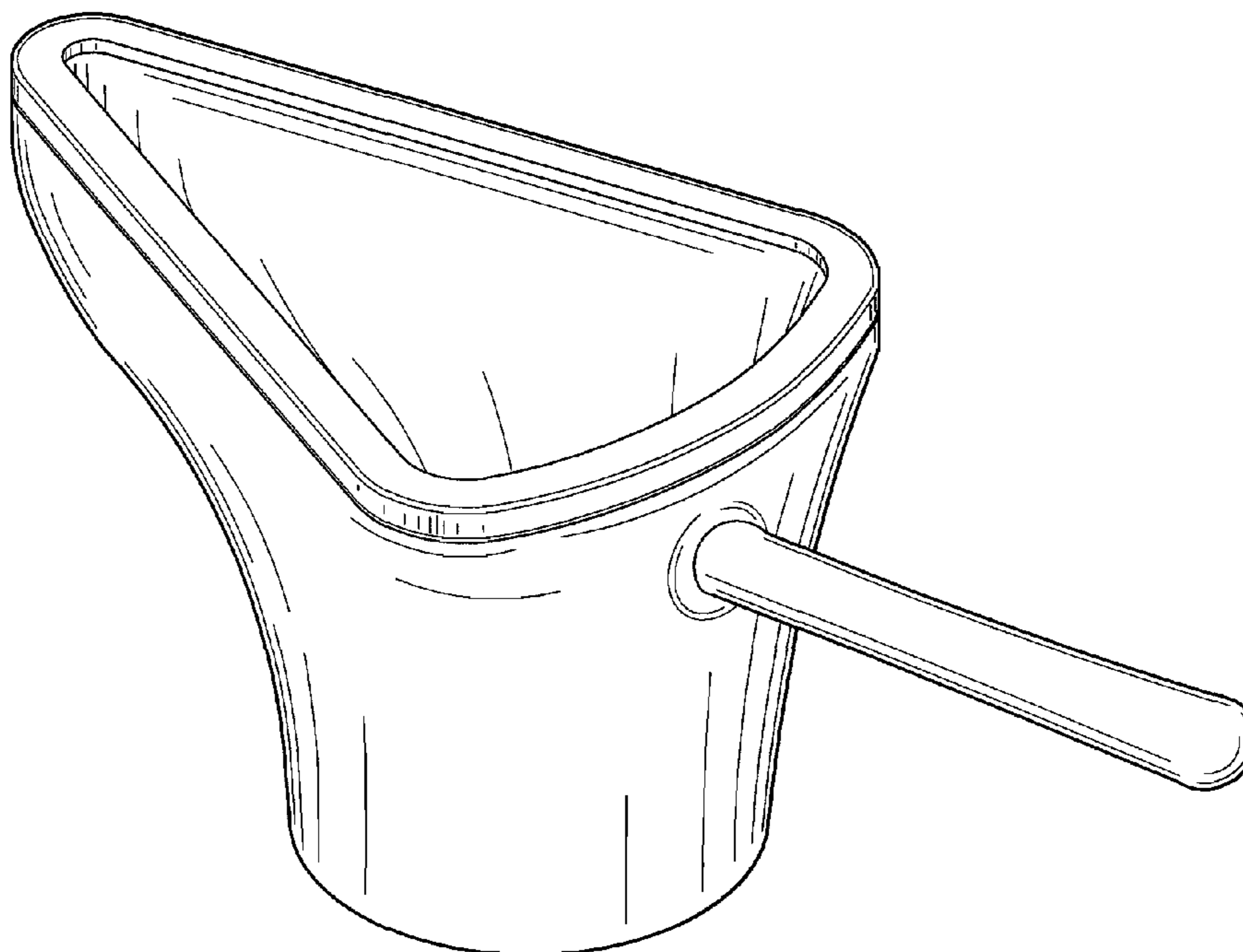
FIG. 3 is a rear elevation view thereof;

FIG. 4 is a top plan view thereof;

FIG. 5 is a bottom plan view thereof; and,

FIG. 6 is an isometric view thereof.

1 Claim, 3 Drawing Sheets



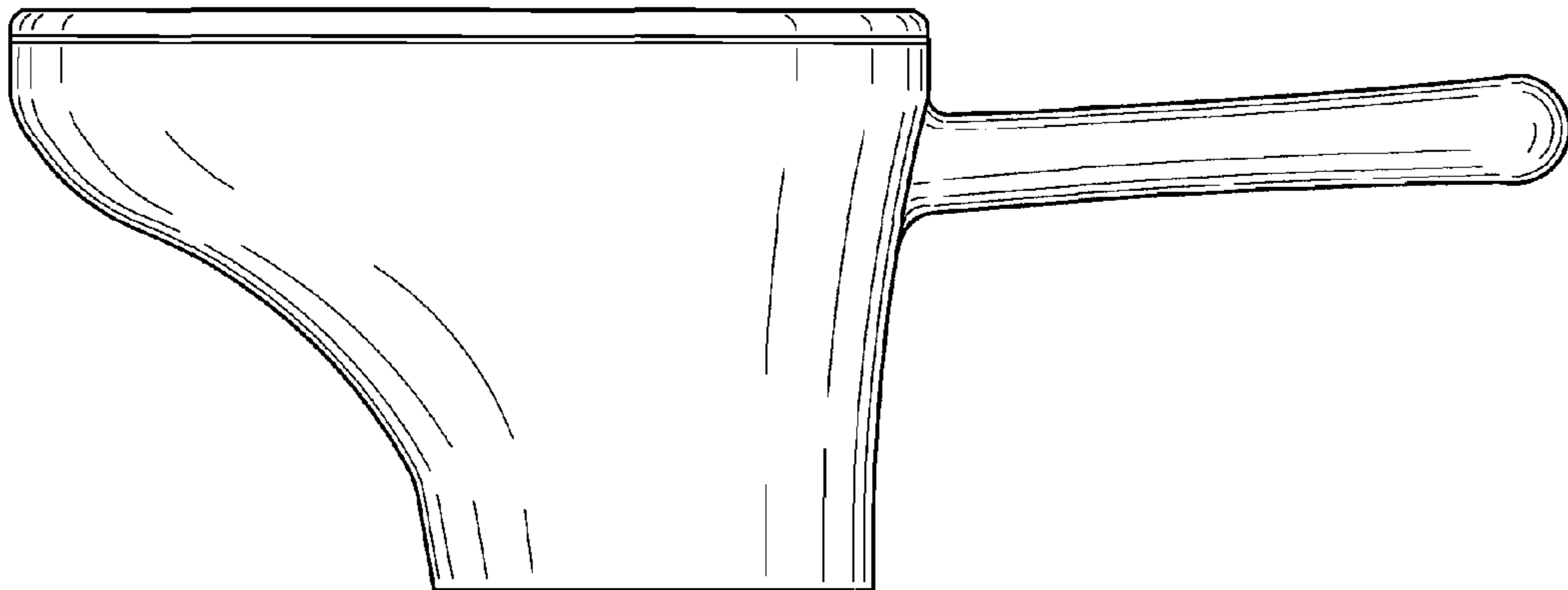


FIG. 1

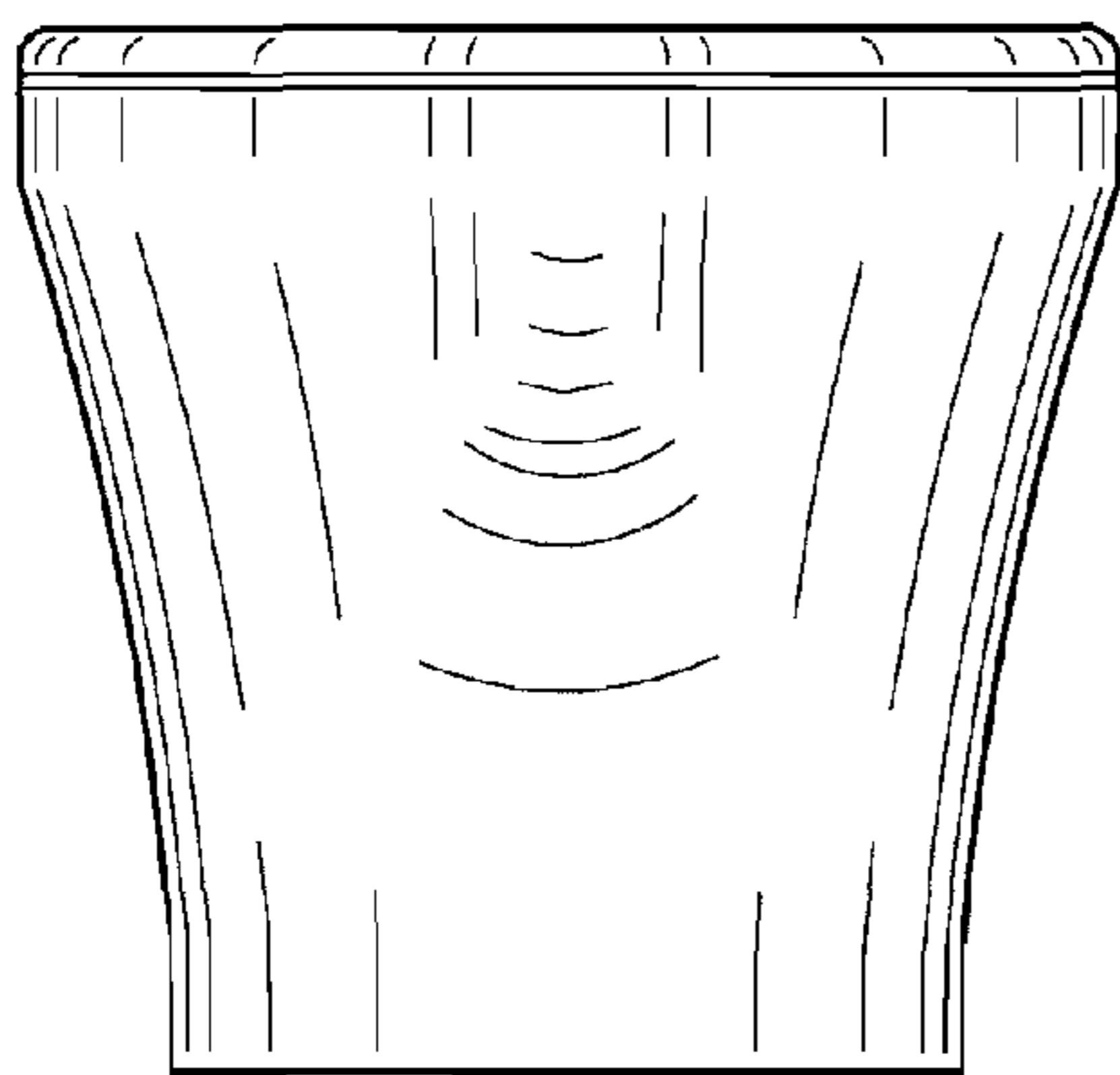


FIG. 2

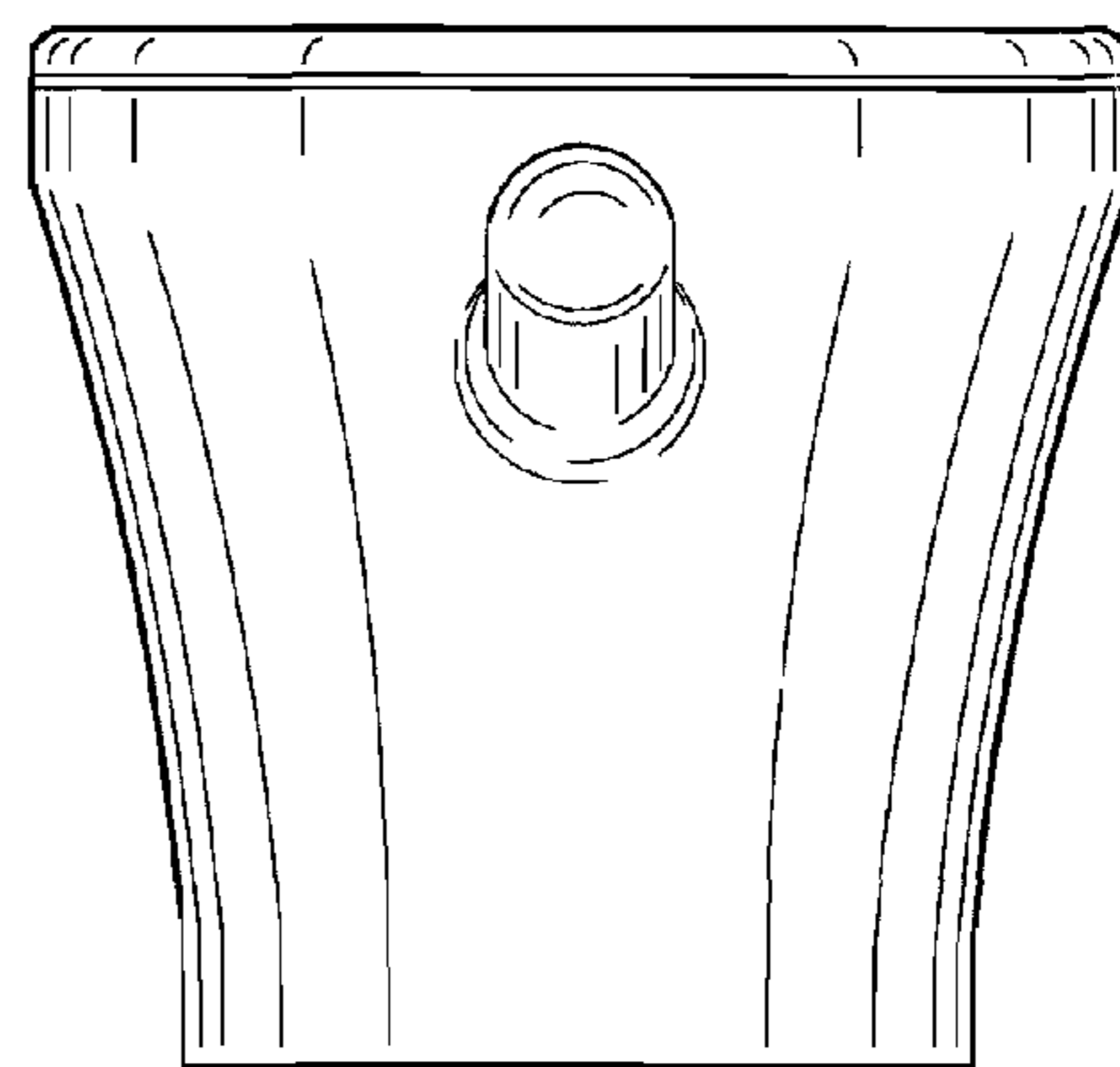


FIG. 3

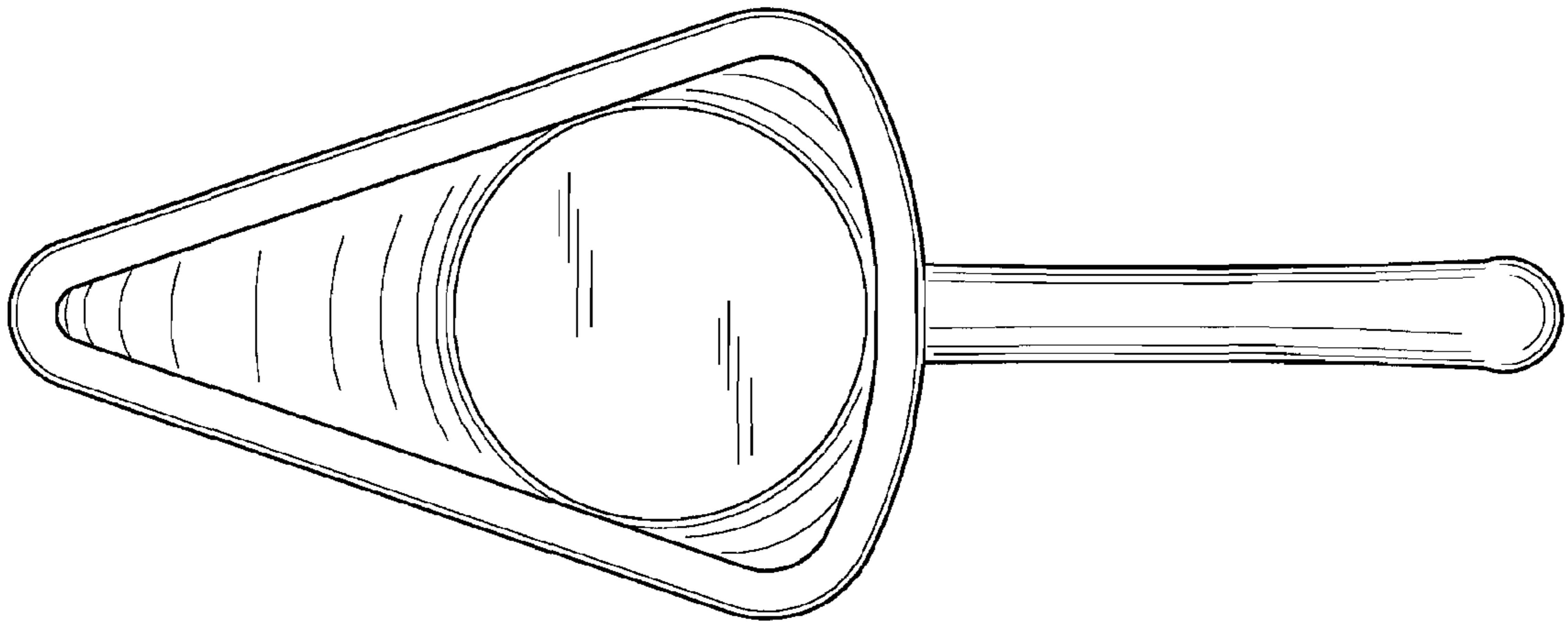


FIG. 4

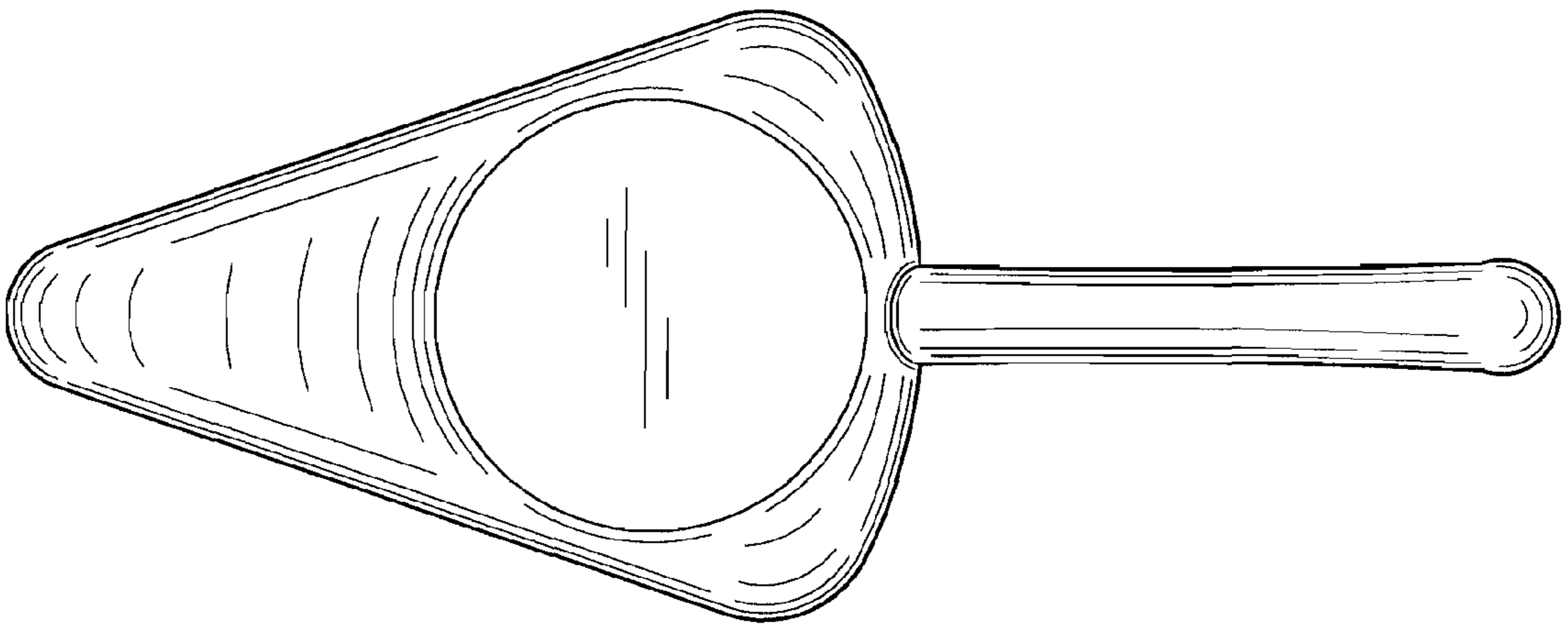


FIG. 5

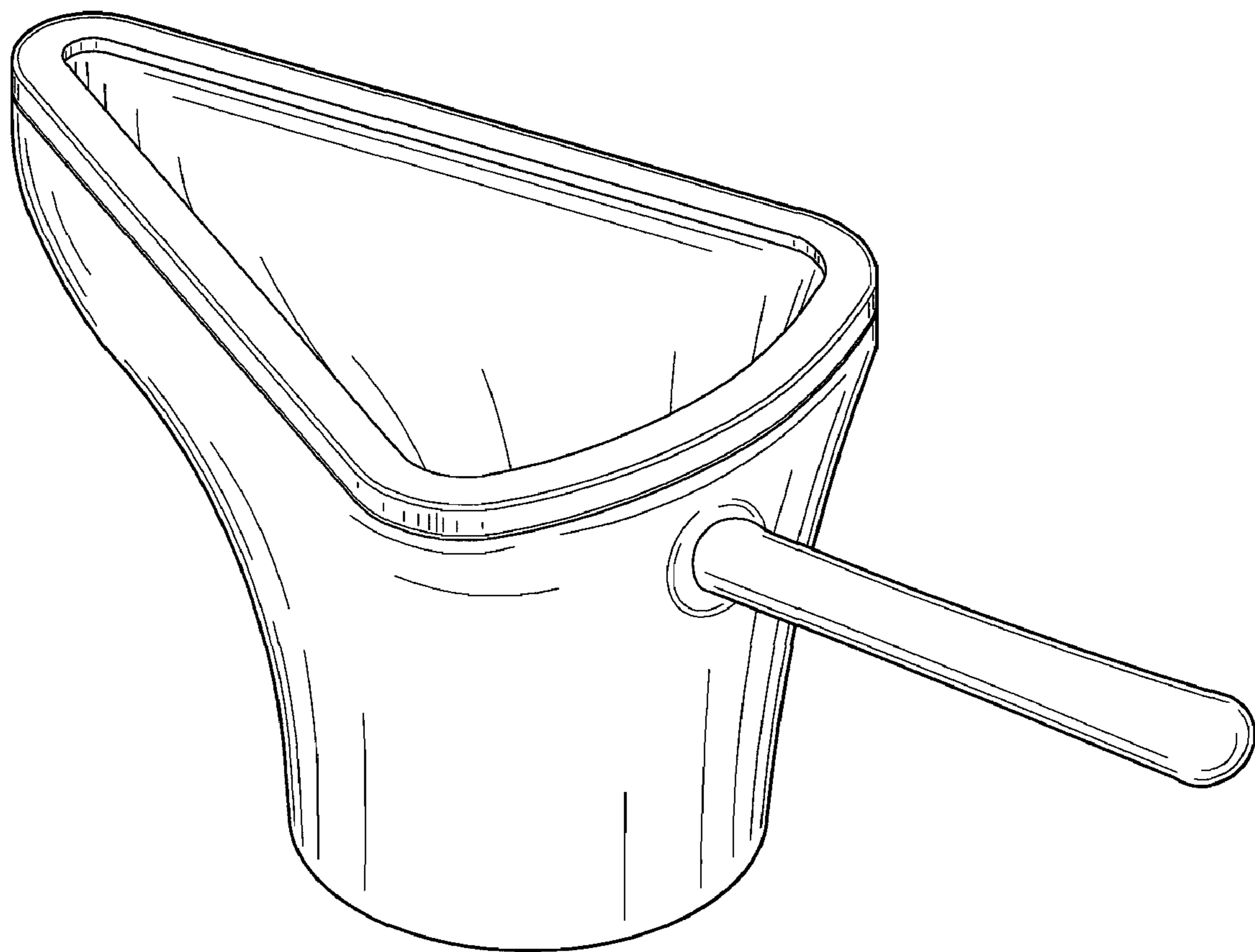


FIG. 6