

US00D567366S

(12) **United States Design Patent**
Betz et al.

(10) **Patent No.: US D567,366 S**
(45) **Date of Patent: ** Apr. 22, 2008**

(54) **FULL FACE RESPIRATOR LENS OUTLET PORTS**

Primary Examiner—Ian Simmons
Assistant Examiner—Christopher Lee

(75) Inventors: **James R. Betz**, Hudson, WI (US); **Sean M. Burke**, St. Paul, MN (US); **Michael J. Lynch**, Hudson, WI (US); **Matthew D. Reier**, St. Paul, MN (US); **Andrew S. Viner**, Roseville, MN (US); **Nathan A. Abel**, White Bear Lake, MN (US)

(57) **CLAIM**

The ornamental design for full face respirator lens outlet ports, as shown and described.

(73) Assignee: **3M Innovative Properties**, St. Paul, MN (US)

DESCRIPTION

(**) Term: **14 Years**

(21) Appl. No.: **29/282,512**

(22) Filed: **Jul. 23, 2007**

(51) **LOC (8) Cl.** **29-02**

(52) **U.S. Cl.** **D24/110.2; D24/110.4**

(58) **Field of Classification Search** D24/110.1, D24/110.2, 110.3, 110.4; 128/201.24, 201.25, 128/205.29, 204.17, 205.25, 206.21, 207.11
See application file for complete search history.

(56) **References Cited**

U.S. PATENT DOCUMENTS

D249,368 S *	9/1978	Watkins, Jr.	D24/110.2
D336,546 S *	6/1993	Lybrand	D24/110.2
D378,610 S	3/1997	Reischel et al.	
D388,872 S	1/1998	Grannis et al.	
D409,744 S	5/1999	Grannis et al.	
5,924,420 A *	7/1999	Reischel et al.	128/206.21
D421,118 S	2/2000	Reischel et al.	
D426,298 S *	6/2000	Grannis et al.	D24/110.2

OTHER PUBLICATIONS

SurvivairMax® Air Purifying Respirator Full Facepiece with T-Series Connectors Operation and Maintenance Instruction Manual (Jun. 2003, revised Jun. 2004).

* cited by examiner

FIG. 1 is a perspective view of a full face respirator lens outlet ports showing the new design;

FIG. 2 is a front elevational view thereof;

FIG. 3 is a left side elevational view thereof, the right side being a mirror image;

FIG. 4 is a rear elevational view thereof;

FIG. 5 is a bottom plan view thereof; and

FIG. 6 is a top plan view thereof;

FIG. 7 is a perspective view of a full face respirator lens outlet ports showing another embodiment of the new design;

FIG. 8 is a front elevational view thereof;

FIG. 9 is a left side elevational view thereof, the right side being a mirror image;

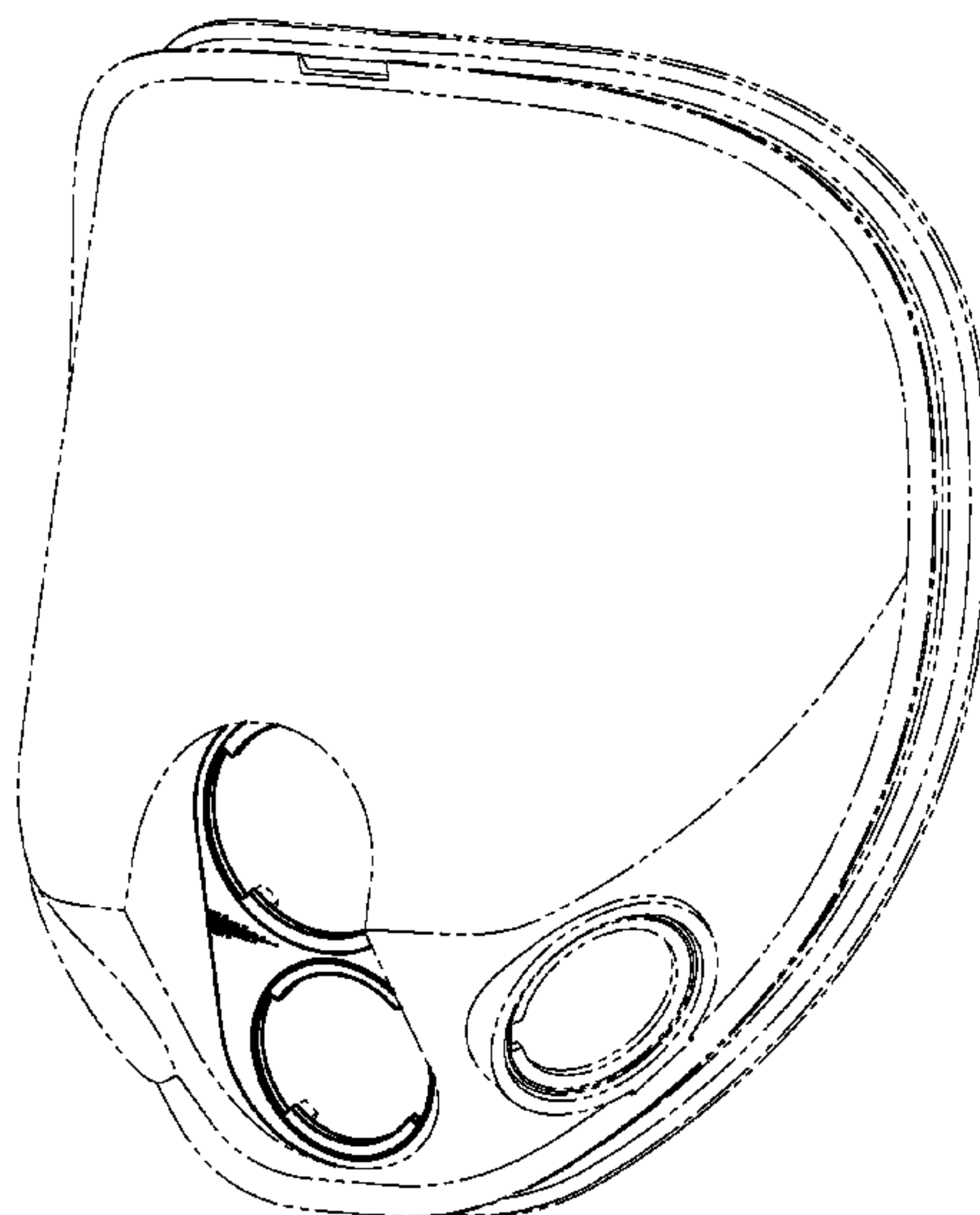
FIG. 10 is a rear elevational view thereof;

FIG. 11 is a bottom plan view thereof; and,

FIG. 12 is a top plan view.

The portions of the article in broken lines are shown for illustrative purposes only and form no part of the claimed design.

1 Claim, 10 Drawing Sheets



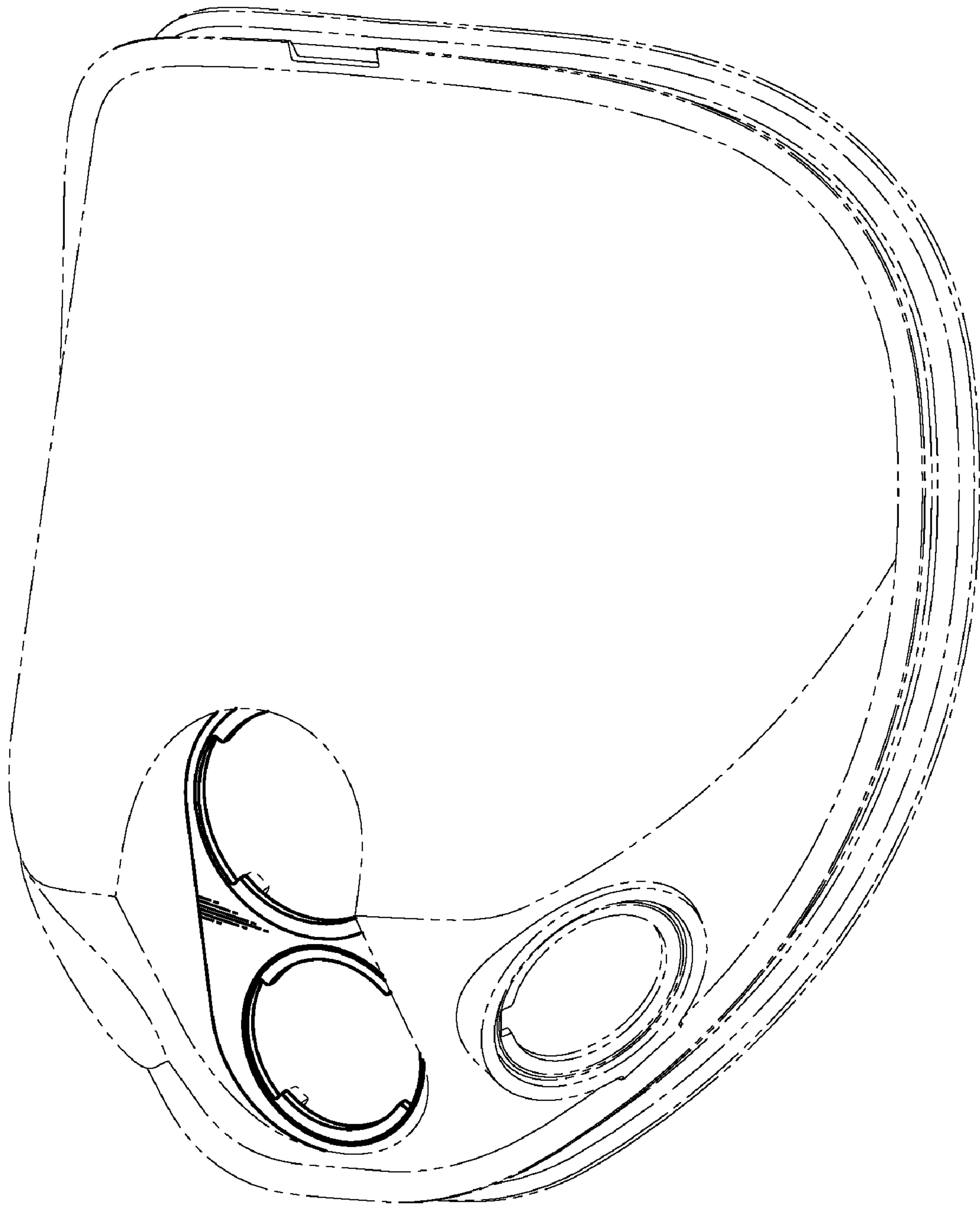


Fig. 1

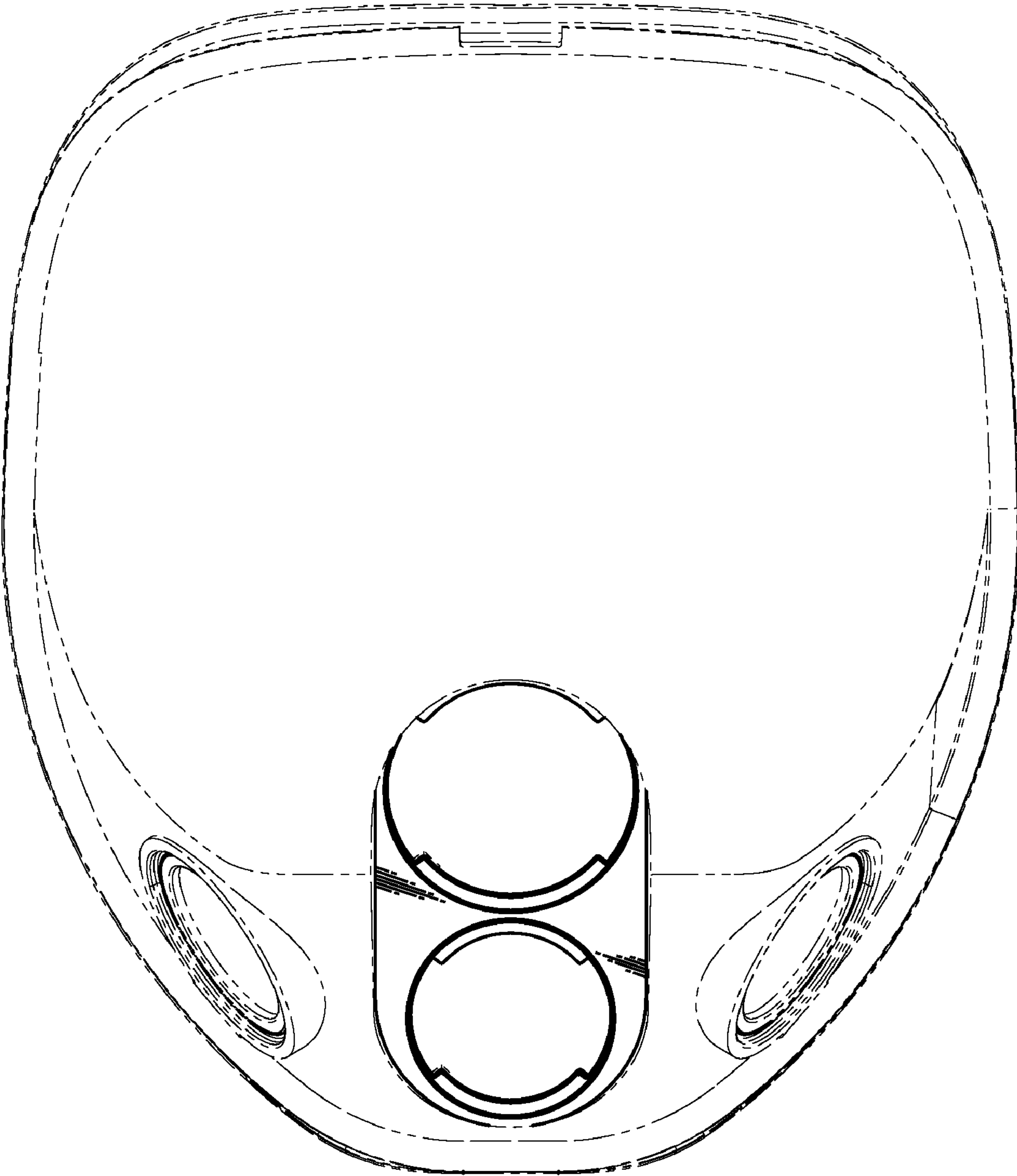


Fig. 2

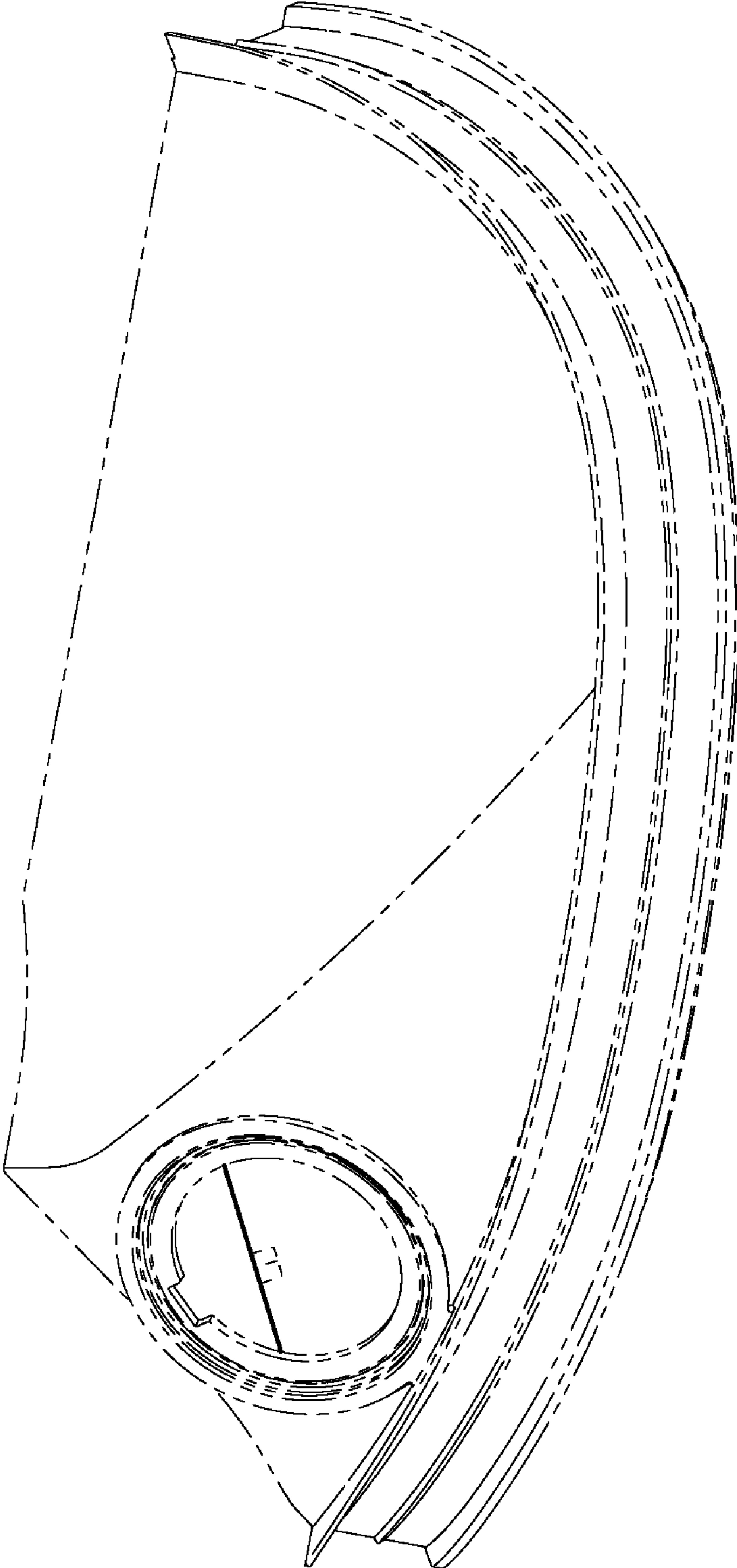


Fig. 3

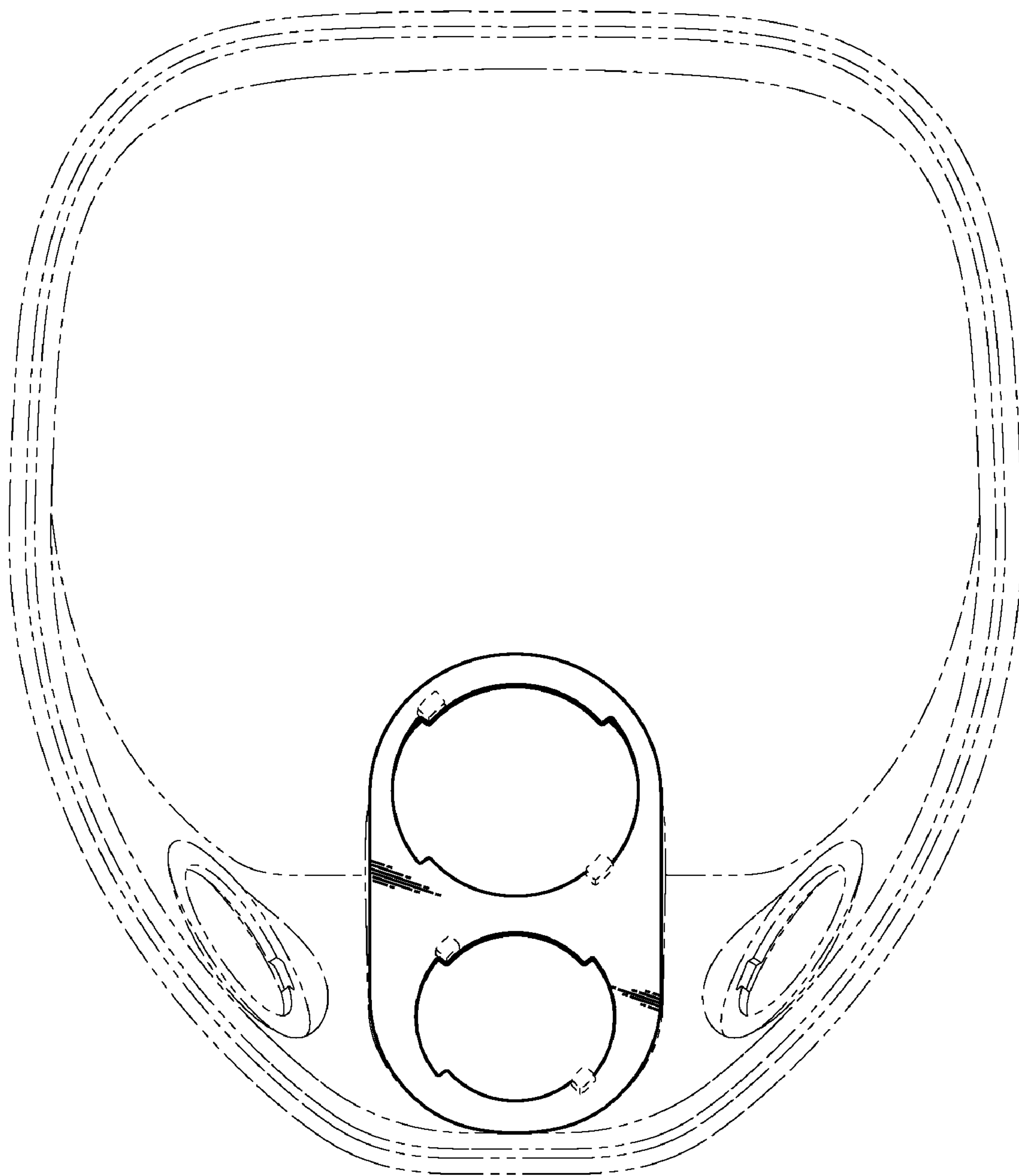


Fig. 4

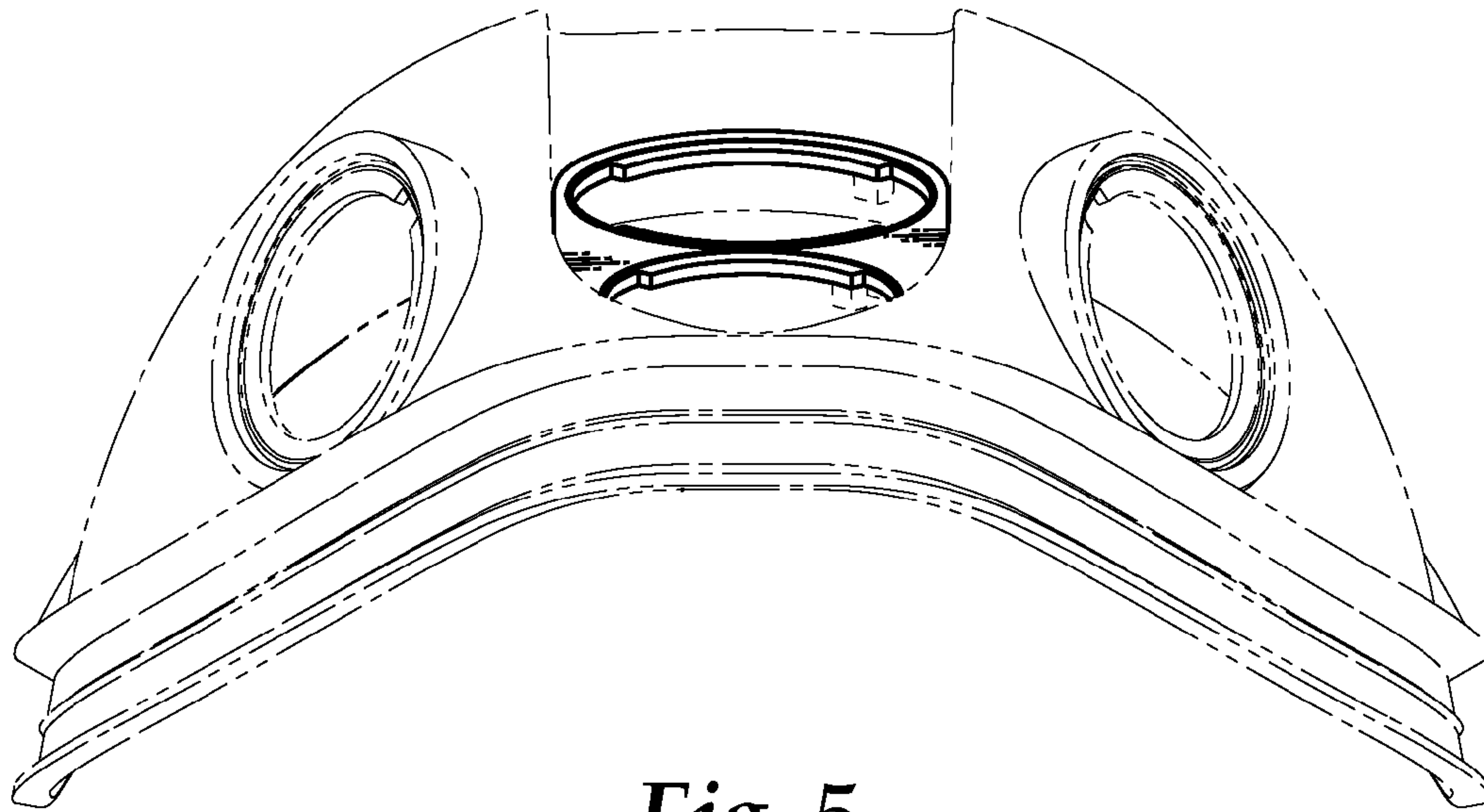


Fig. 5

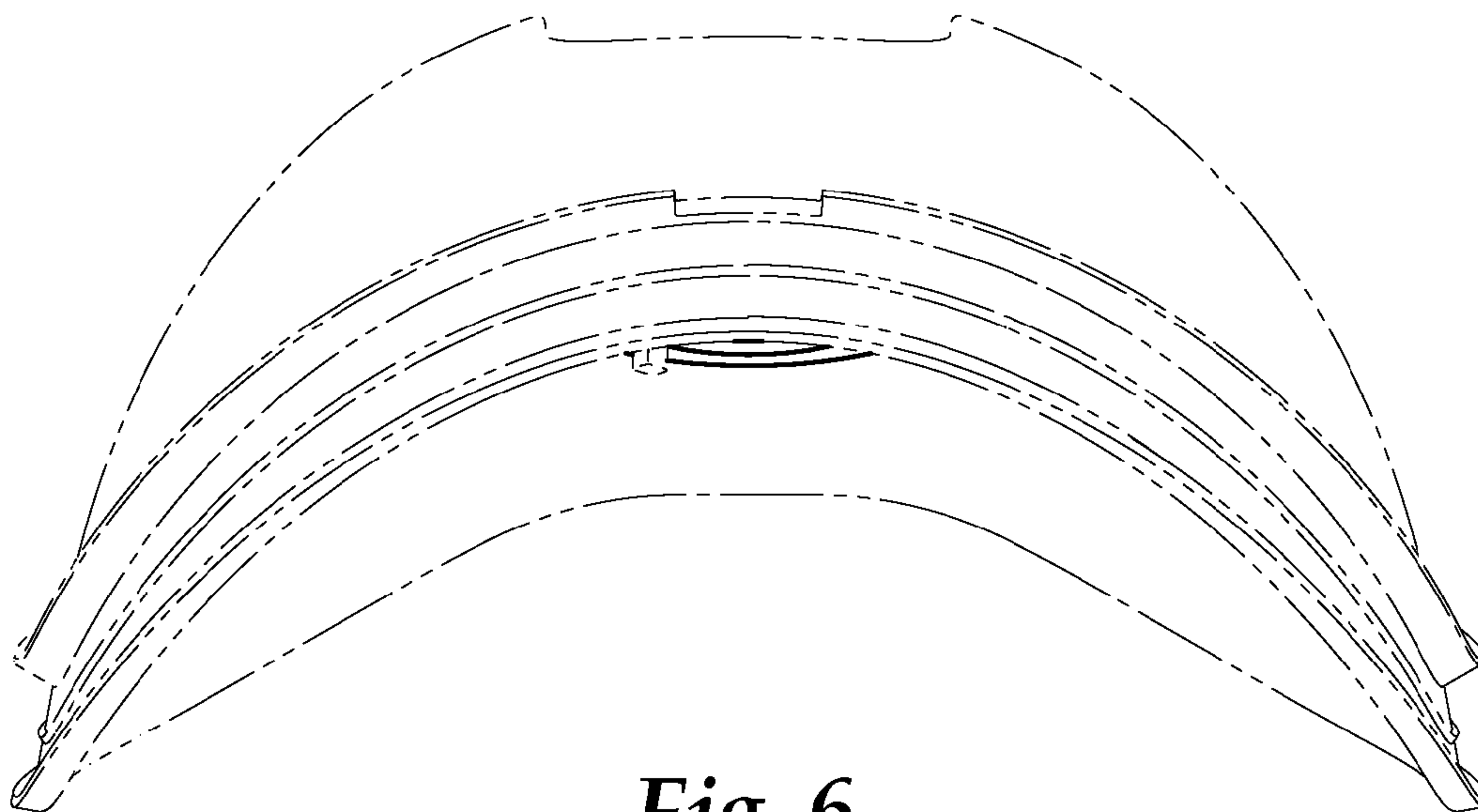


Fig. 6

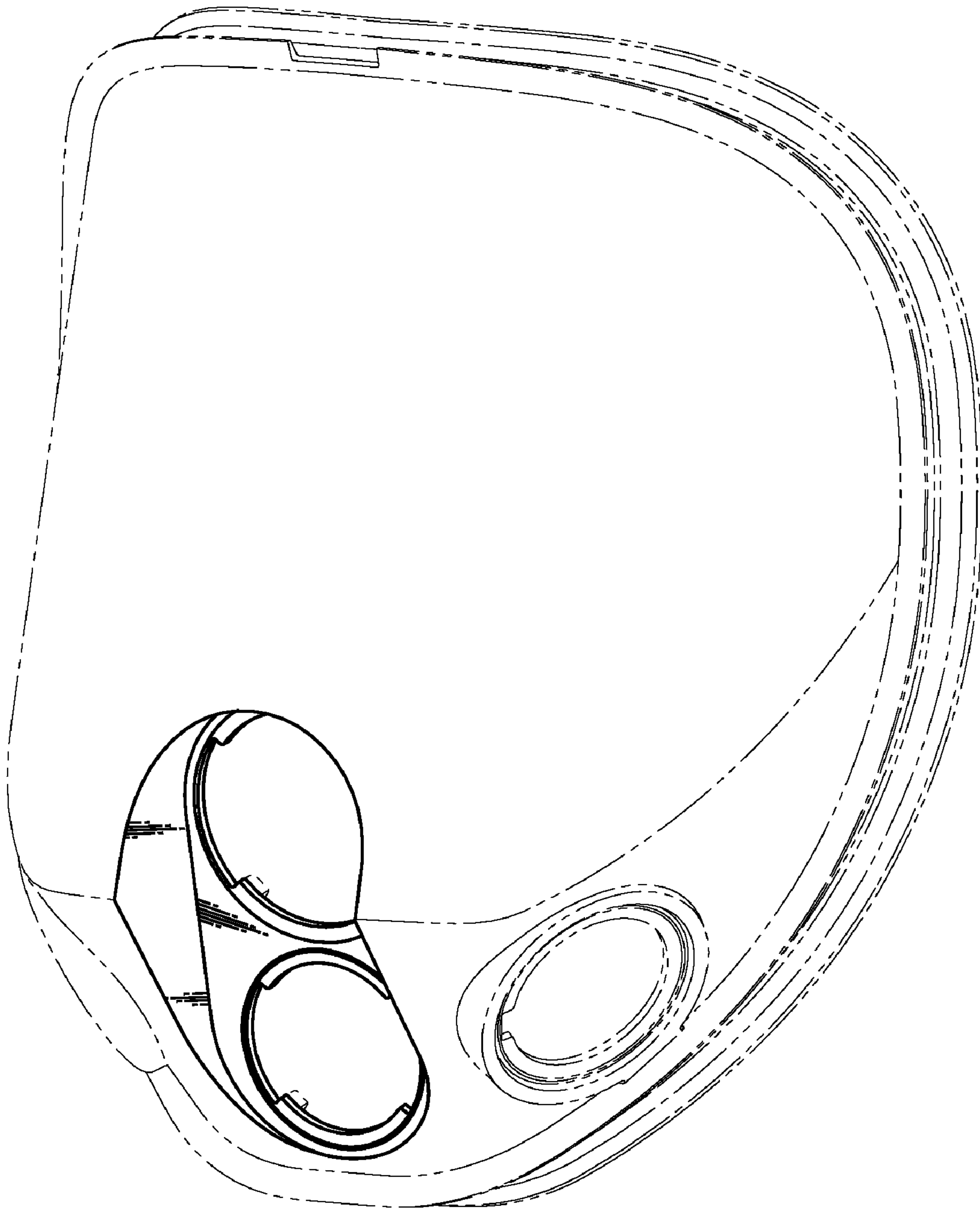


Fig. 7

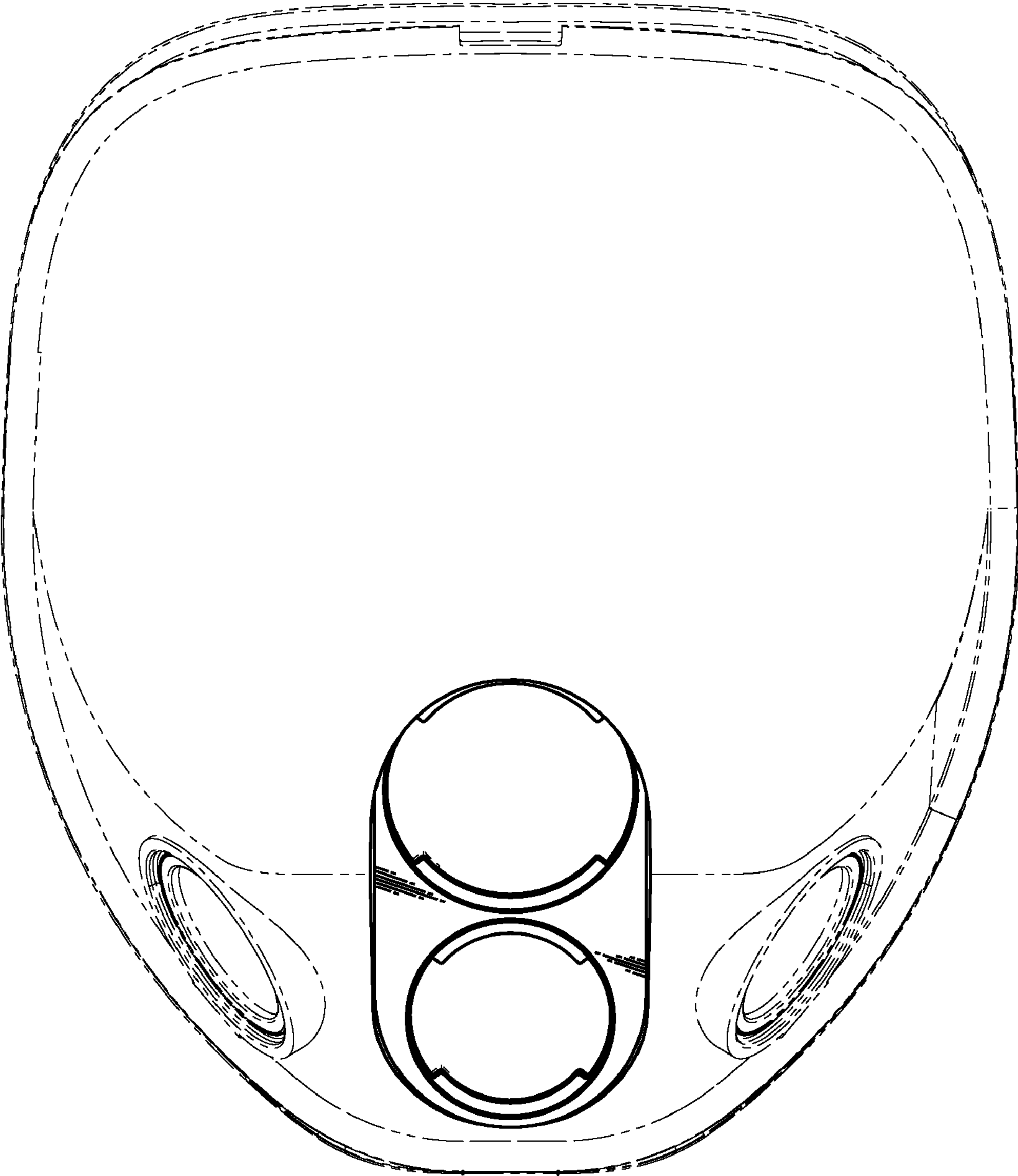


Fig. 8

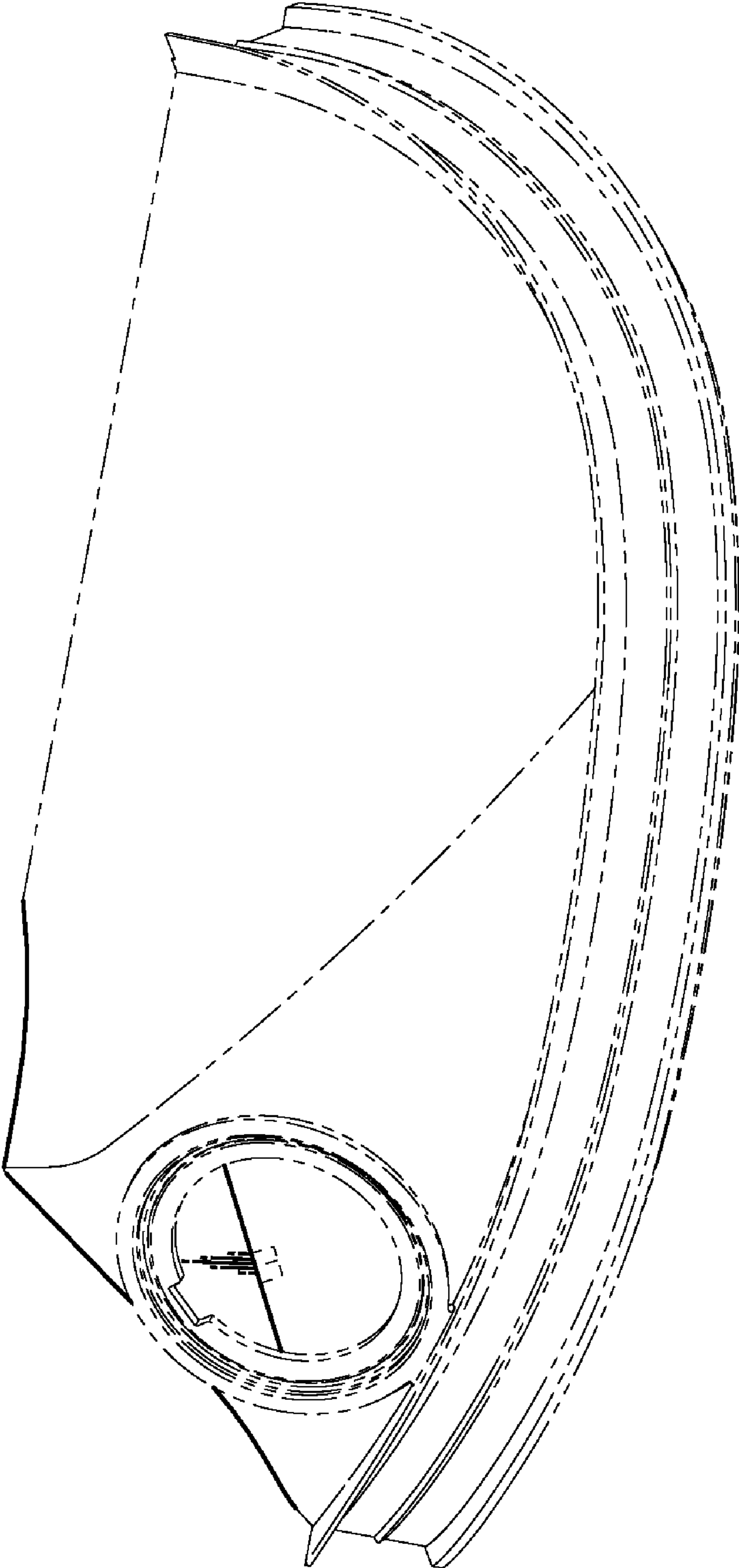


Fig. 9

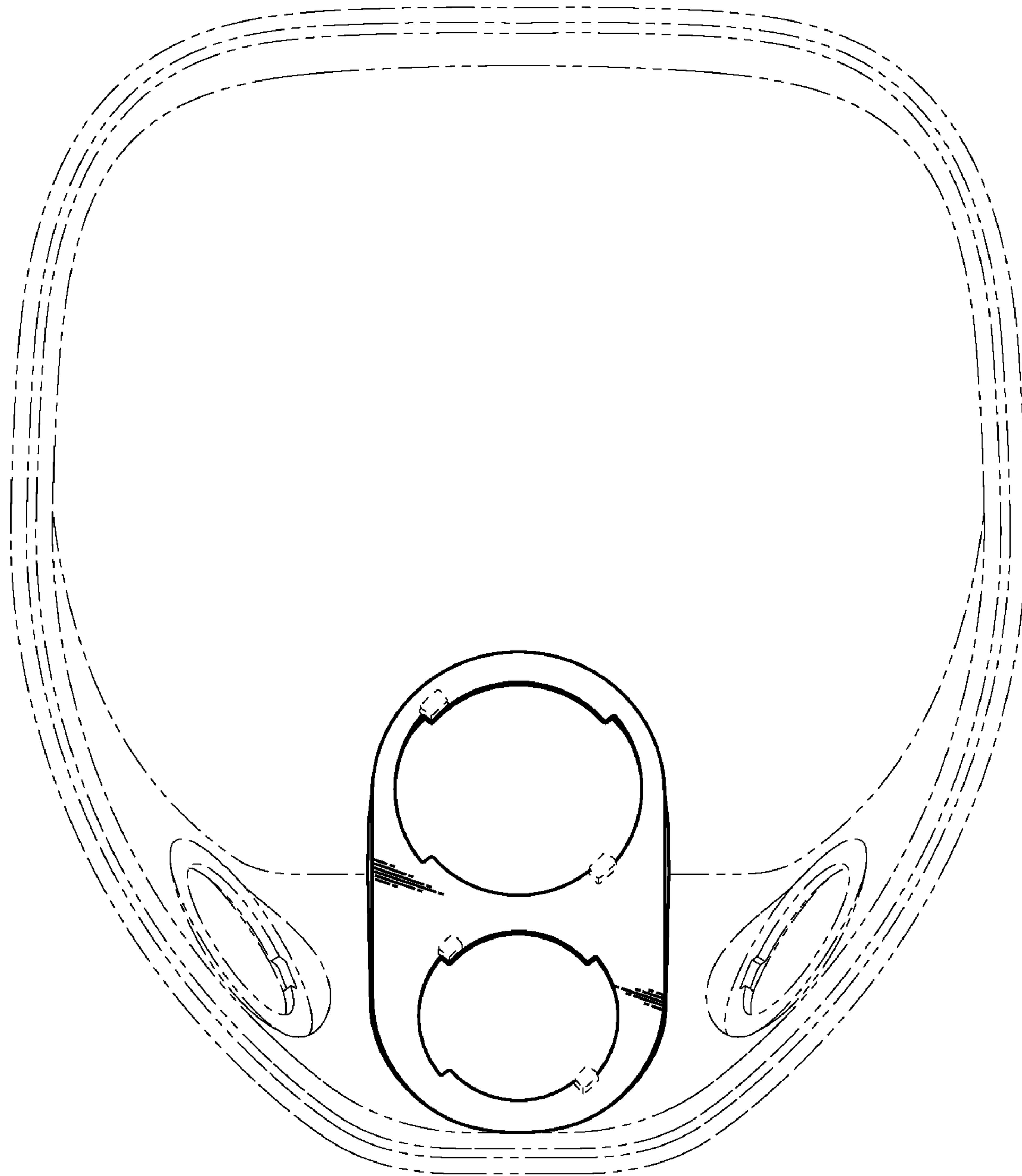


Fig. 10

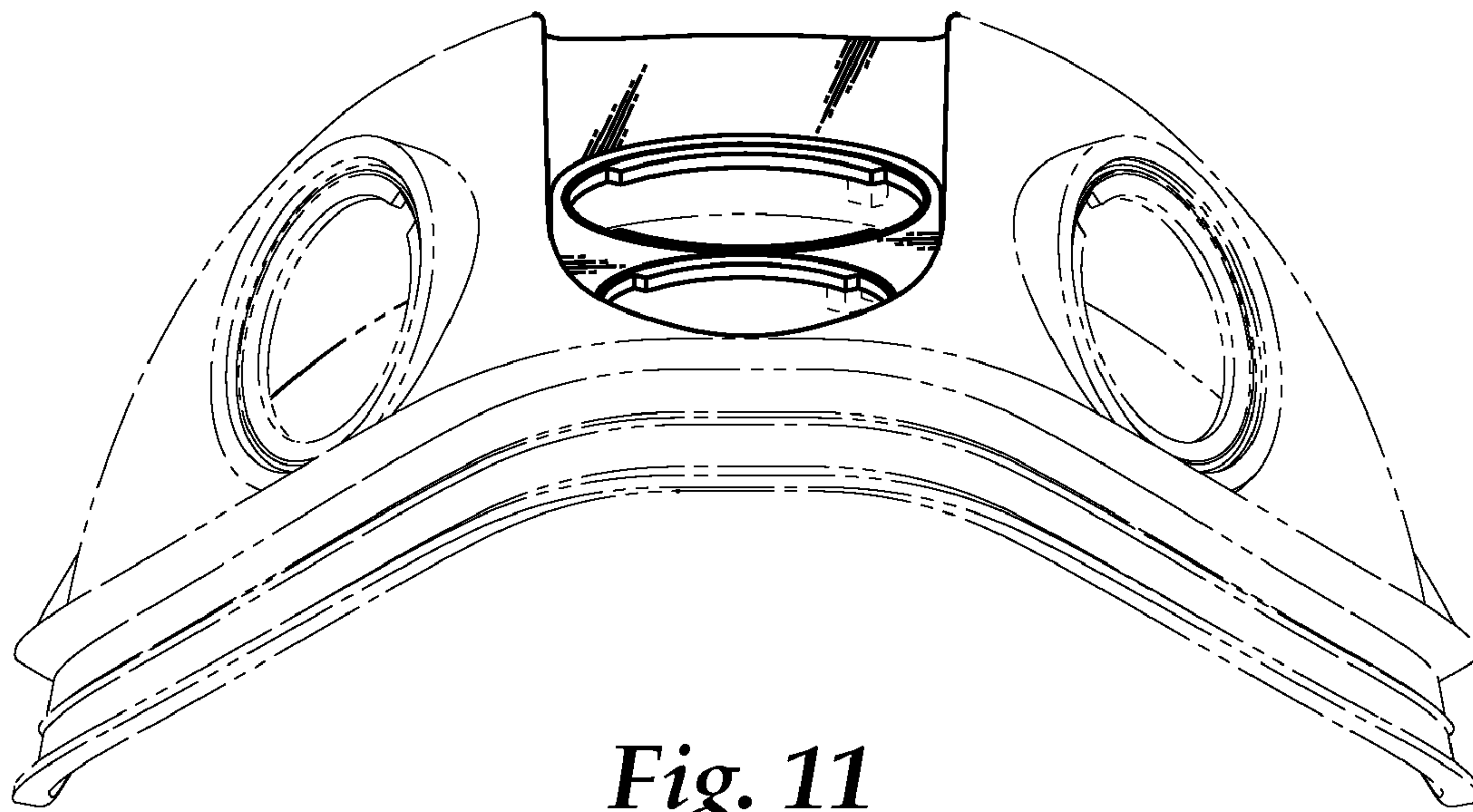


Fig. 11

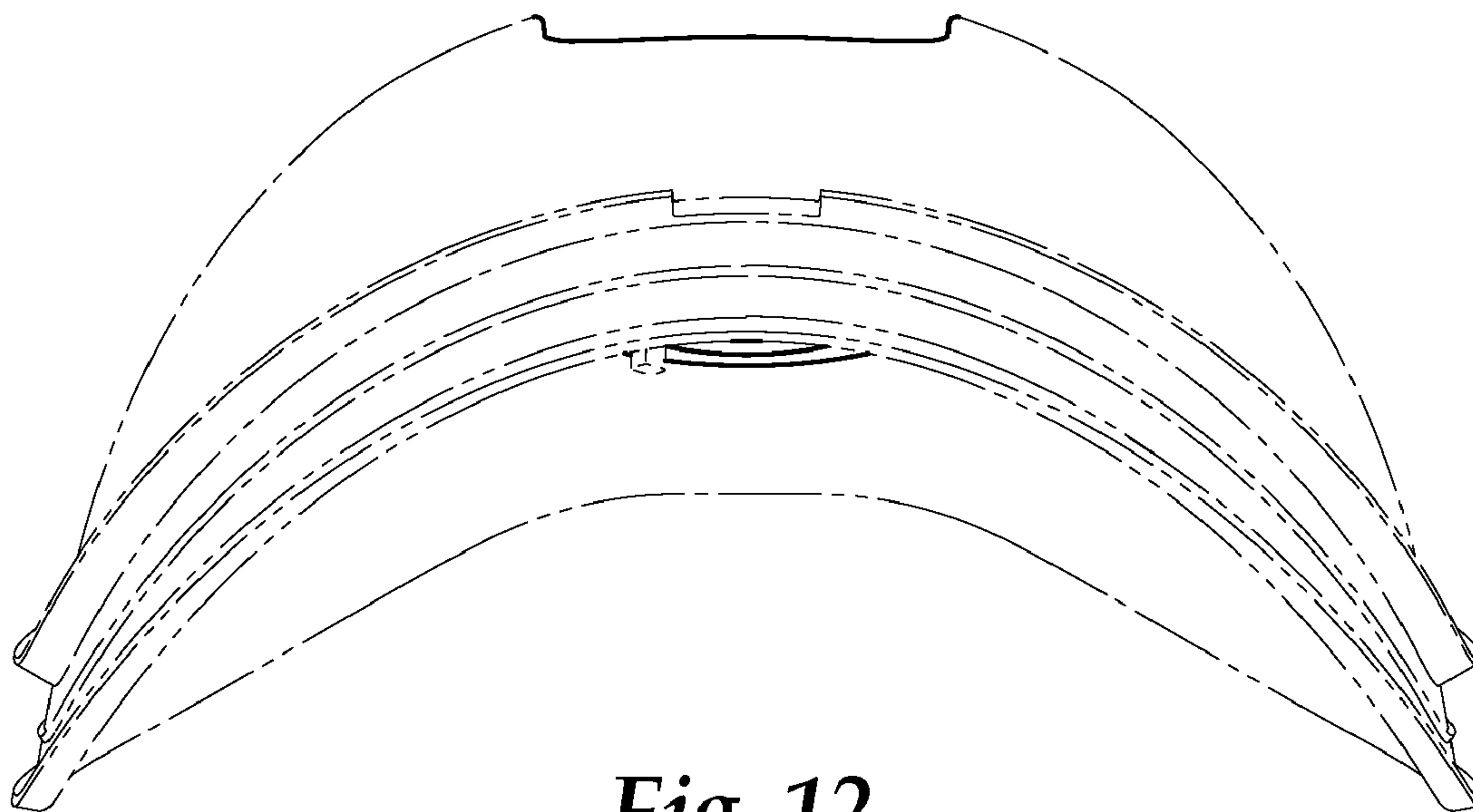


Fig. 12