



US00D567365S

(12) **United States Design Patent**
Brunell

(10) **Patent No.:** **US D567,365 S**
(45) **Date of Patent:** **** Apr. 22, 2008**

(54) **PLEATED FACE MASK**
(75) Inventor: **Robert A. Brunell**, Forestdale, MA
(US)

4,248,220 A 2/1981 White 128/206.19
4,300,549 A 11/1981 Parker 128/206.19
4,417,575 A 11/1983 Hilton et al. 128/206.19

(Continued)

(73) Assignee: **Louis M. Gerson Co., Inc.**,
Middleboro, MA (US)

FOREIGN PATENT DOCUMENTS

CA 2410260 11/2001

(**) Term: **14 Years**

(Continued)

(21) Appl. No.: **29/248,158**

(22) Filed: **Jul. 31, 2006**

Primary Examiner—Ian Simmons
Assistant Examiner—Carissa C Fitts
(74) *Attorney, Agent, or Firm*—Brian M. Dingman; Mirice,
O’Connell, DeMallie & Lougee

Related U.S. Application Data

(63) Continuation-in-part of application No. 10/423,382,
filed on Apr. 25, 2003, now Pat. No. 7,171,967.

(57) **CLAIM**

The ornamental design for a pleated face mask, as shown
and described.

(51) **LOC (8) Cl.** **29-02**
(52) **U.S. Cl.** **D24/110.1**
(58) **Field of Classification Search** D24/110,
D24/110.1; 128/206.12, 206.15, 206.17,
128/206.18, 206.19, 206.21, 206.28, 205.25,
128/205.27, 205.29, 207.12, 207.13
See application file for complete search history.

DESCRIPTION

FIG. 1 shows a perspective view of a pleated face mask
showing our new design.

FIG. 2 shows a top view of the face mask according to FIG.
1.

FIG. 3 shows a front view of the face mask according to FIG.
1.

FIG. 4 shows a left side view of the face mask according to
FIG. 1.

FIG. 5 shows a back view of the face mask according to FIG.
1.

FIG. 6 shows a right side view of the face mask according
to FIG. 1.

FIG. 7 shows a bottom perspective view of the inhaler
according to FIG. 1; and,

FIG. 8 shows a perspective view of the face mask being
worn by a person according to FIG. 1.

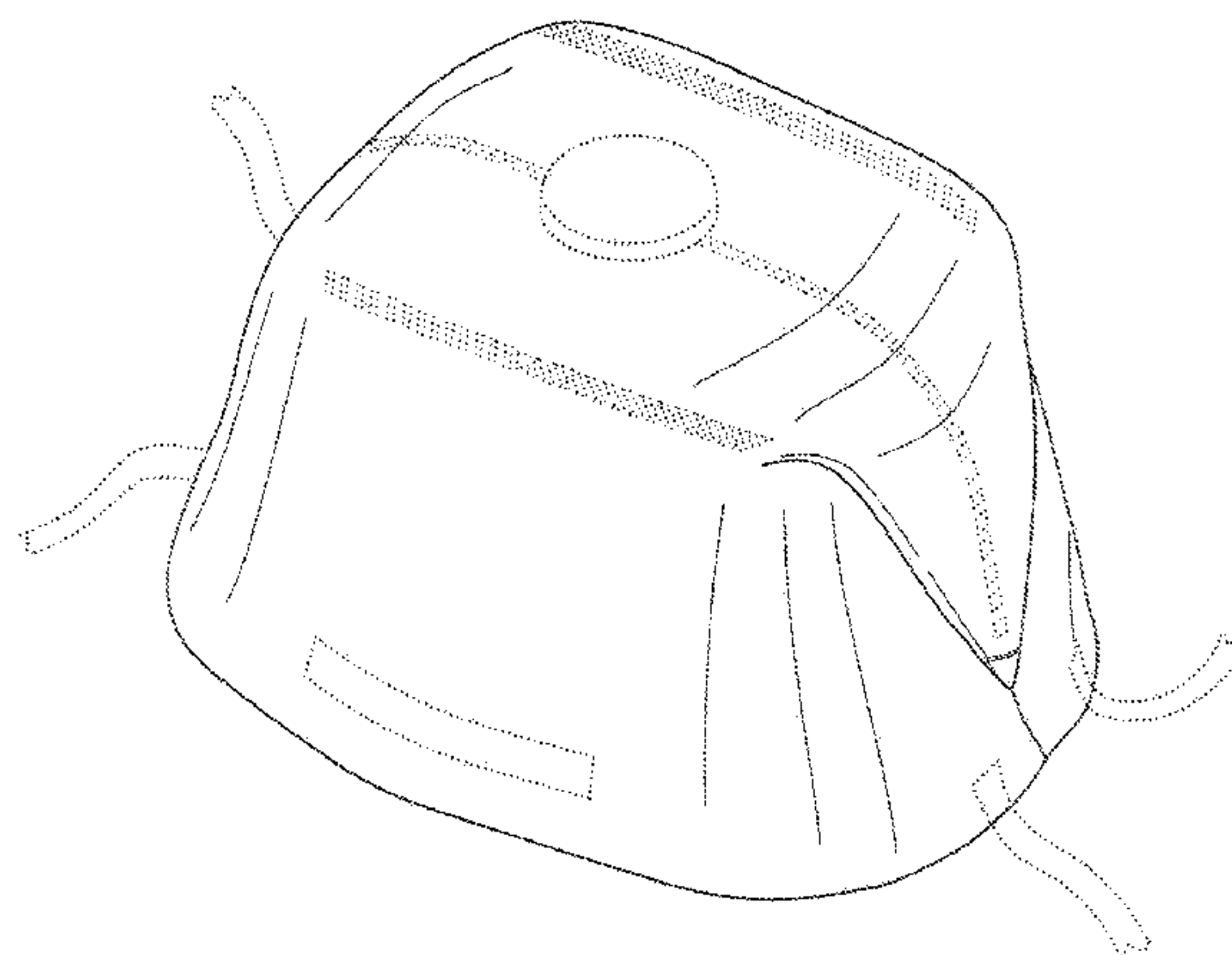
The broken line showing is for illustrative purposes only and
forms no part of the claimed design.

(56) **References Cited**

U.S. PATENT DOCUMENTS

1,292,096 A * 1/1919 Schwartz 128/206.13
1,523,884 A 1/1925 Luduc 128/146
2,116,241 A 5/1938 Heumann 128/139
2,227,667 A 1/1941 Panettiere 128/139
2,494,406 A * 1/1950 Reitano 128/206.13
2,556,589 A 6/1951 Le Duc 128/146
2,634,734 A 4/1953 Barrett 134/43
2,905,173 A * 9/1959 Wold 128/206.19
3,042,034 A 7/1962 Gruenewaelder 128/146
3,500,825 A 3/1970 Andersson et al. 128/139
3,613,678 A 10/1971 Mayhew 128/146.2
3,971,369 A 7/1976 Aspelin et al. 128/146.2
3,985,132 A 10/1976 Boyce et al. 128/146.2
D249,072 S 8/1978 Revoir D29/8
4,133,309 A 1/1979 Kohler et al. 128/146.6
4,215,682 A 8/1980 Kubik et al. 128/205.29
4,245,220 A 1/1981 Johnson 343/16 R

1 Claim, 5 Drawing Sheets



US D567,365 S

Page 2

U.S. PATENT DOCUMENTS

4,419,993	A	12/1983	Petersen	128/201.15	6,394,090	B1	5/2002	Chen et al.	128/206.12
4,419,994	A	12/1983	Hilton	128/206.19	D458,364	S *	6/2002	Curran et al.	D24/110.1
4,536,440	A	8/1985	Berg	428/284	6,484,722	B2	11/2002	Bostock et al.	128/206.19
4,547,420	A	10/1985	Krueger et al.	428/229	6,536,434	B1	3/2003	Bostock et al.	128/206.12
4,600,002	A	7/1986	Maryyanek et al.	...	128/206.19	6,568,392	B1	5/2003	Bostock et al.	128/206.19
4,688,566	A	8/1987	Boyce	128/206.19	6,715,489	B2	4/2004	Bostock et al.	128/206.21
4,827,924	A	5/1989	Japuntich	428/206.12	6,722,366	B2	4/2004	Bostock et al.	128/206.19
4,874,339	A	10/1989	Bratz	445/28	6,886,563	B2	5/2005	Bostock et al.	128/206.19
4,883,547	A	11/1989	Japuntich	156/73.4	7,171,967	B2 *	2/2007	Brunell et al.	128/206.19
5,025,506	A	6/1991	Huang	2/206	2002/0023651	A1 *	2/2002	Japuntich et al.	128/206.15
5,232,529	A	8/1993	Miyake	156/73.4	2004/0255946	A1 *	12/2004	Gerson et al.	128/205.27
5,325,892	A	7/1994	Japuntich et al.	137/855	2005/0098180	A1 *	5/2005	Lien et al.	128/205.25
5,927,280	A	7/1999	Miyake	128/857	2005/0155607	A1 *	7/2005	Martin et al.	128/207.13
5,954,055	A	9/1999	Miyake	128/857						
D424,688	S *	5/2000	Bryant et al.	D24/110.1						
6,123,077	A	9/2000	Bostock et al.	128/206.12						
D431,647	S *	10/2000	Henderson et al.	D24/110.1						
6,125,849	A	10/2000	Williams et al.	128/206.12						
6,145,504	A	11/2000	Miyake	128/206.19						
6,336,459	B1	1/2002	Miyake et al.	128/857						

FOREIGN PATENT DOCUMENTS

DE	3204322	8/1983
EP	0281275	9/1988
EP	1118278	7/2001
GB	2045093	10/1980
GB	2046102	11/1980

* cited by examiner

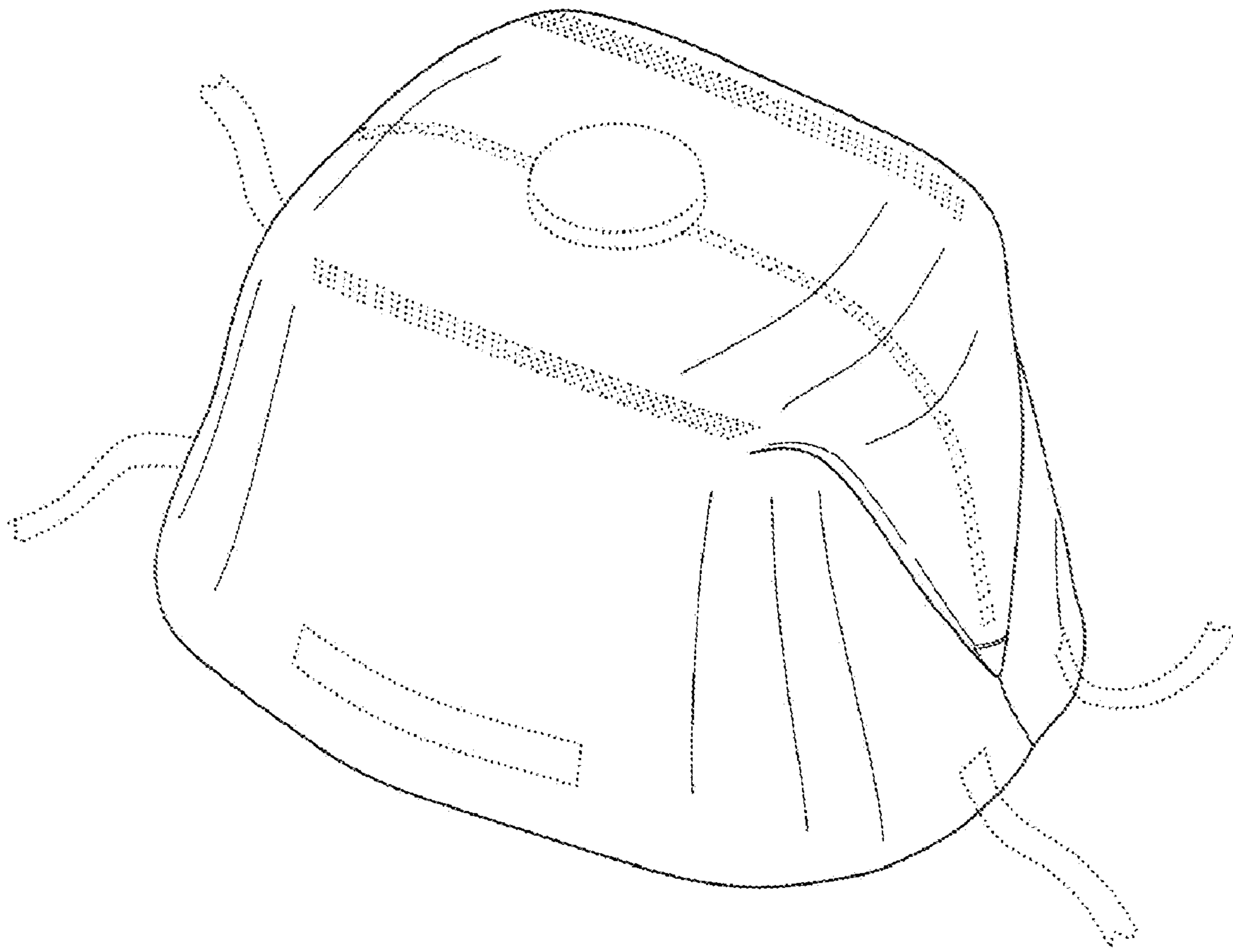


FIG. 1

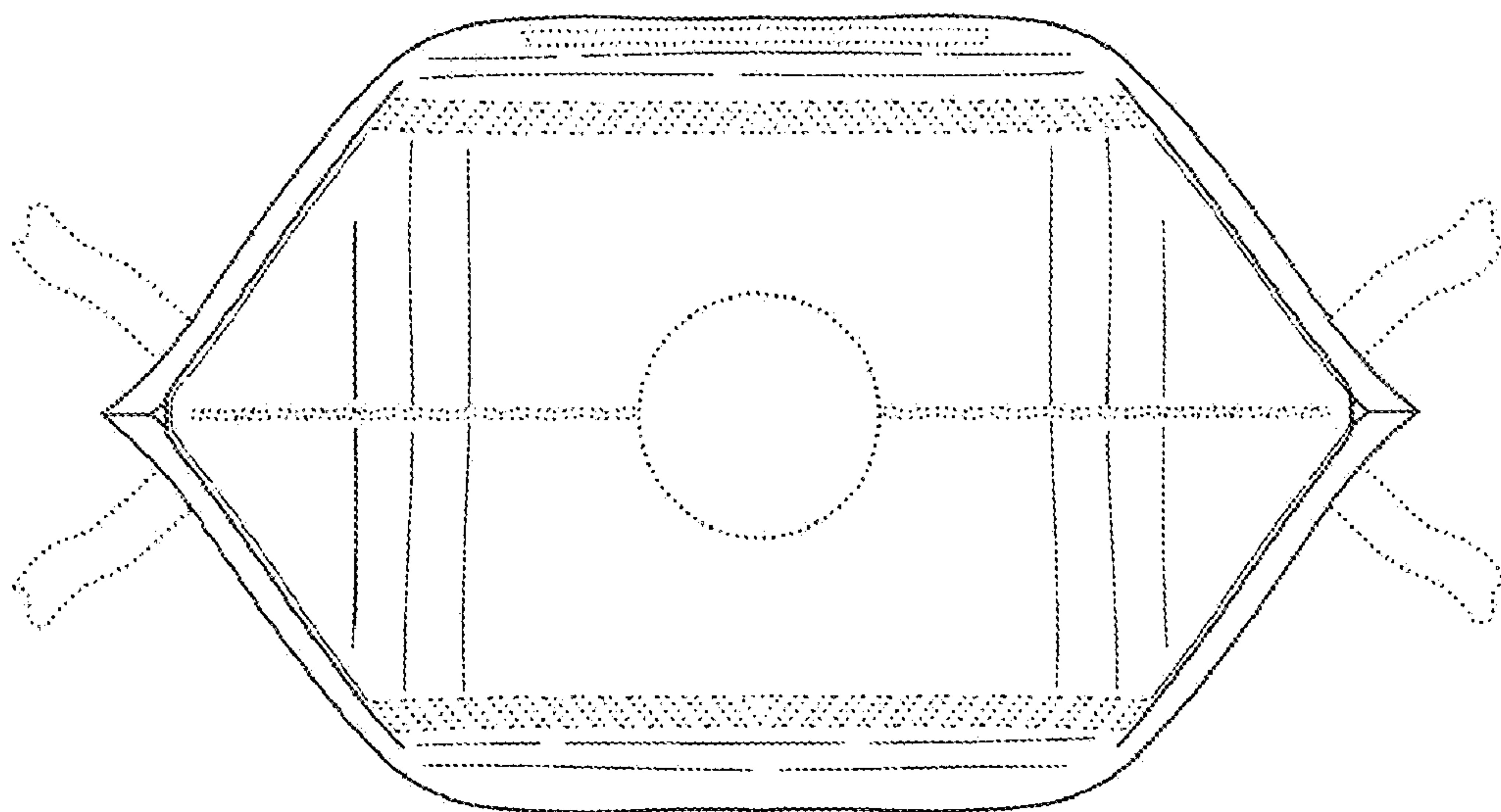


FIG. 2

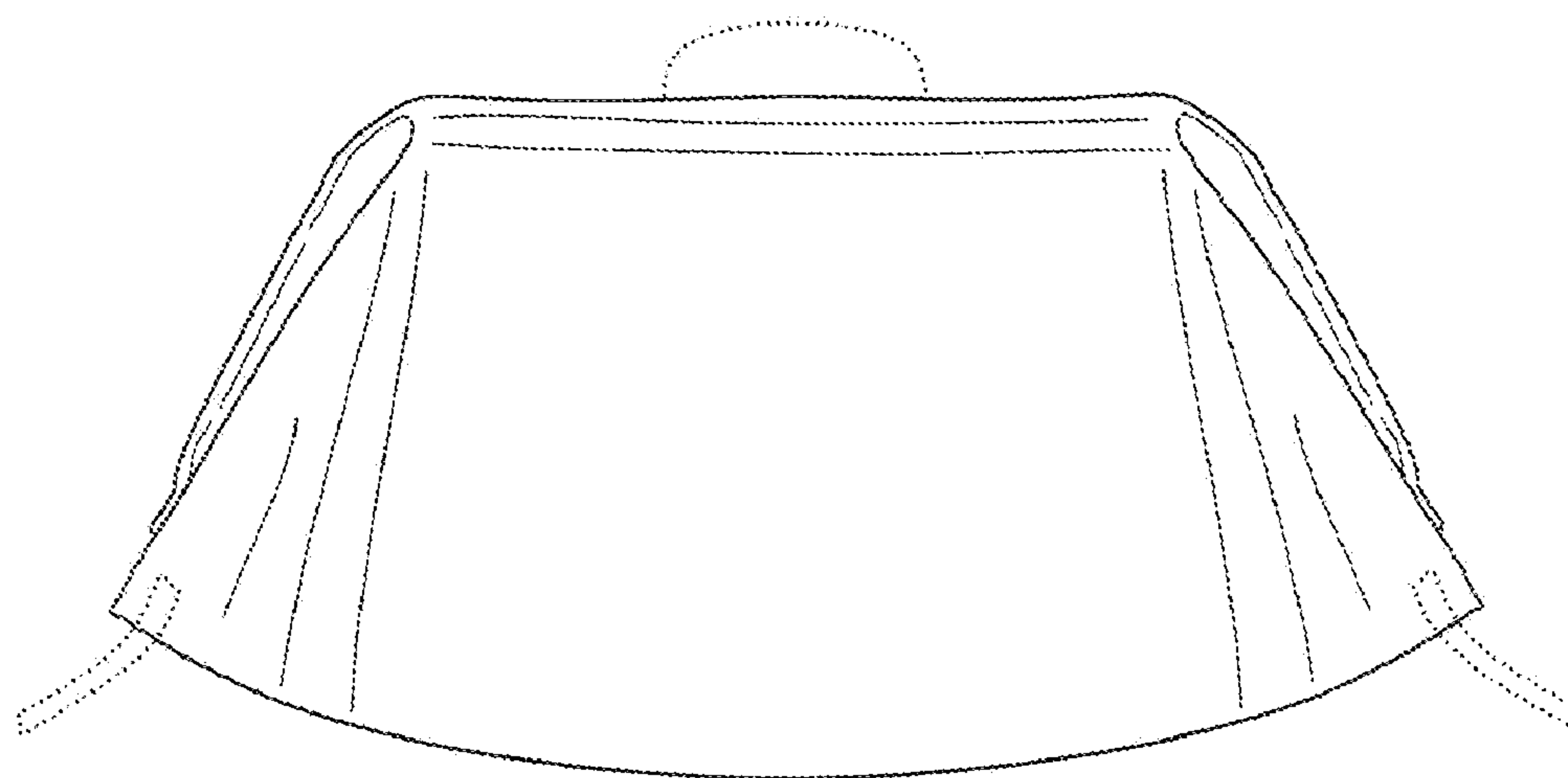


FIG. 3

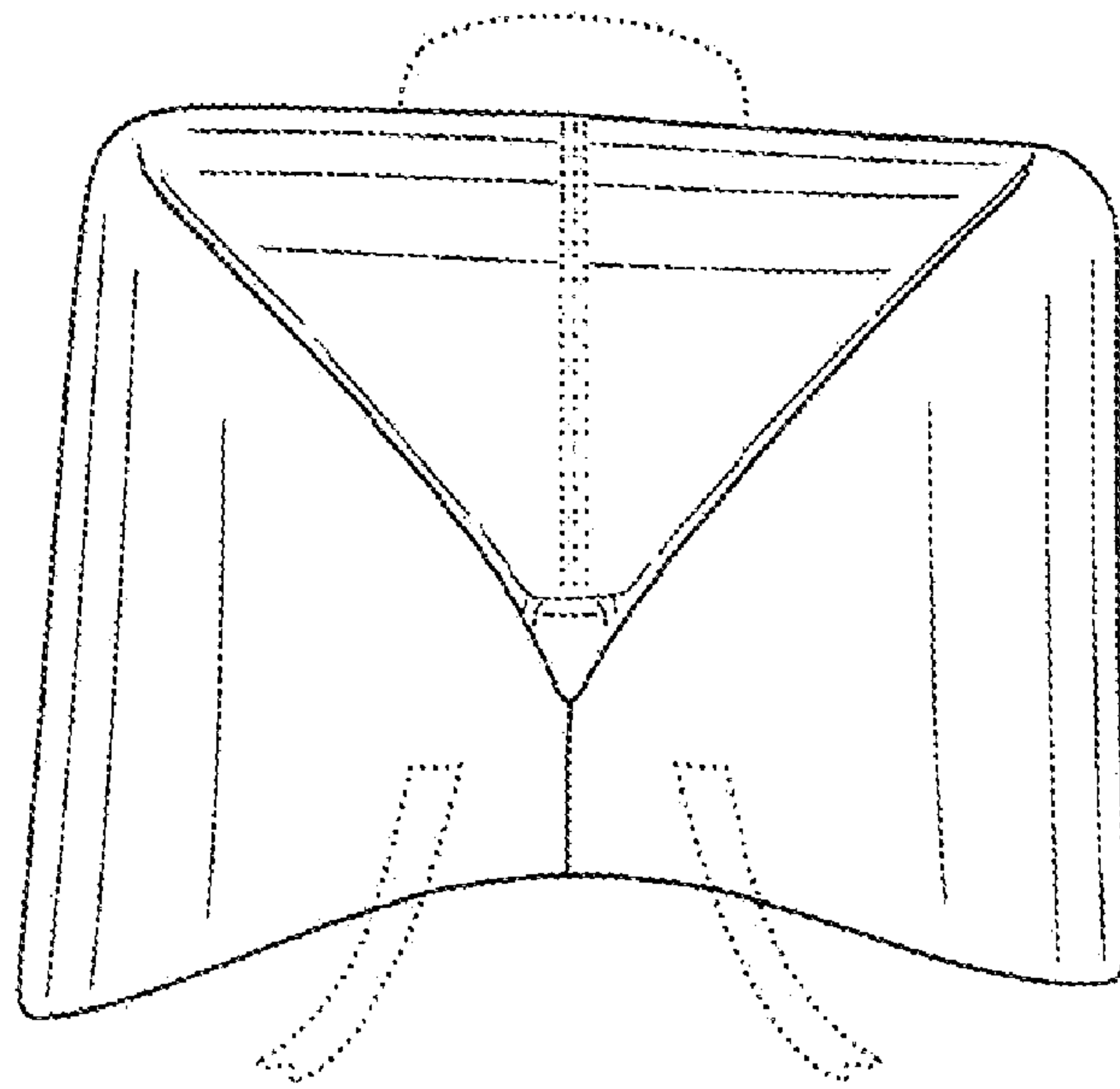


FIG. 4

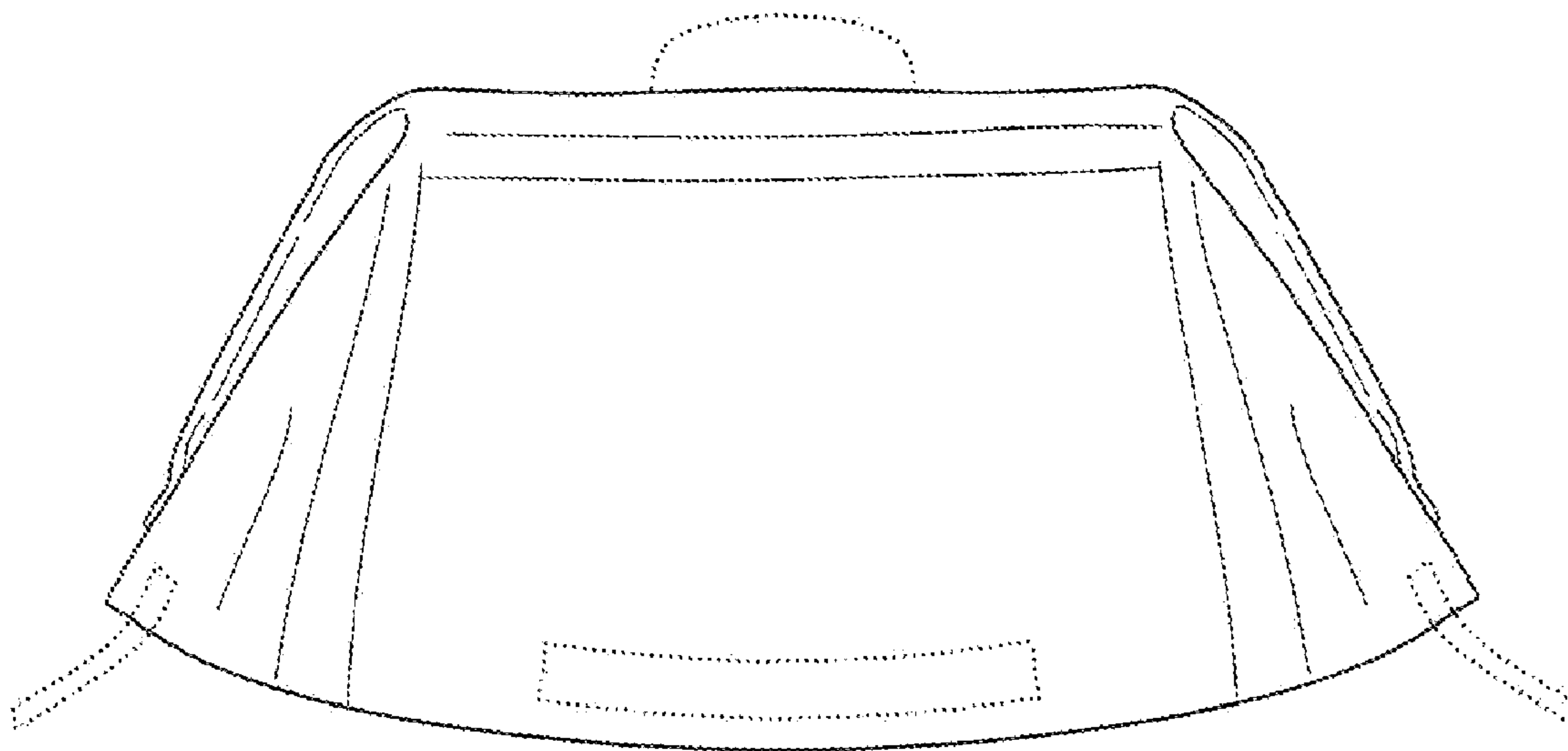


FIG. 5

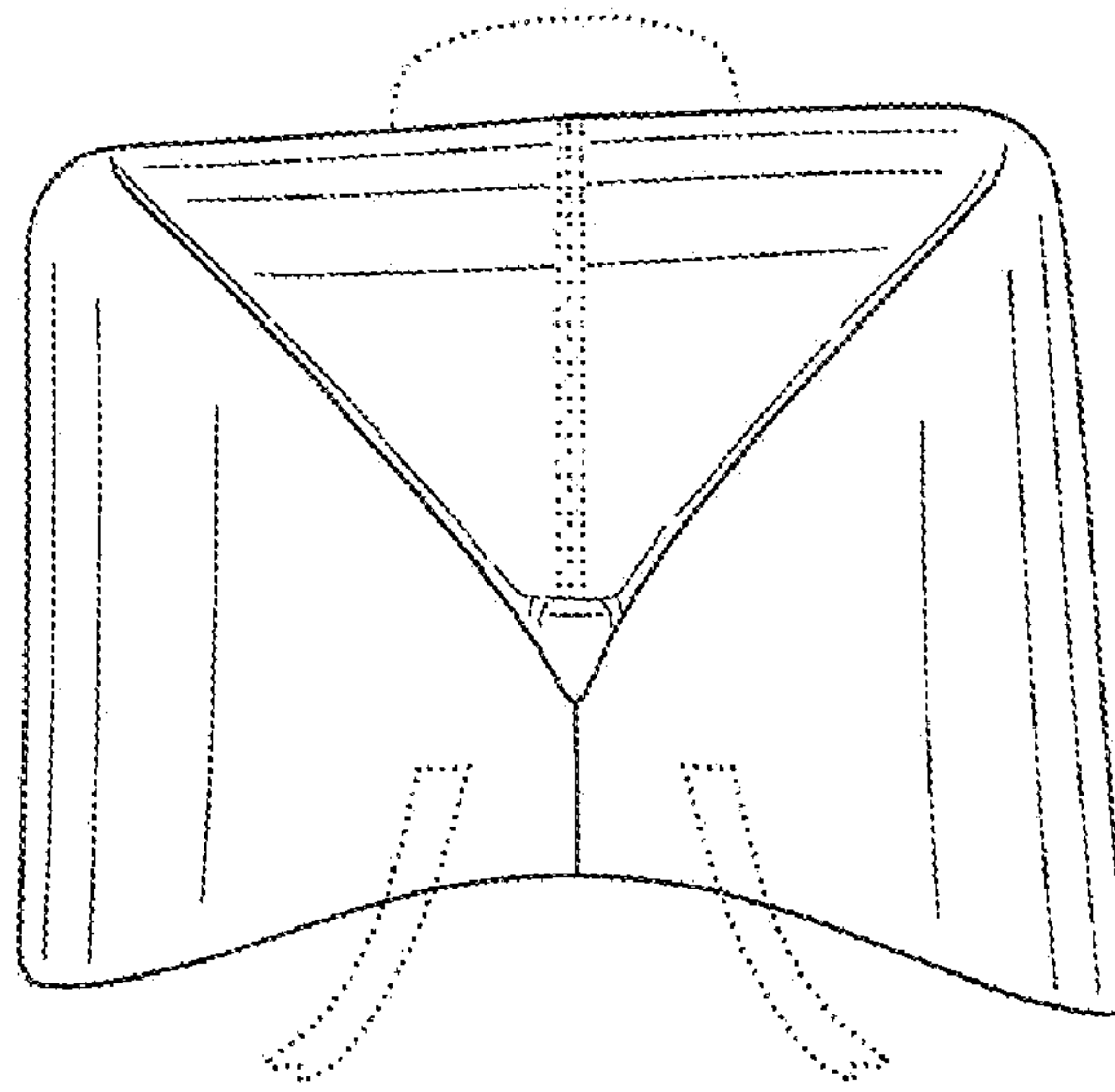


FIG. 6

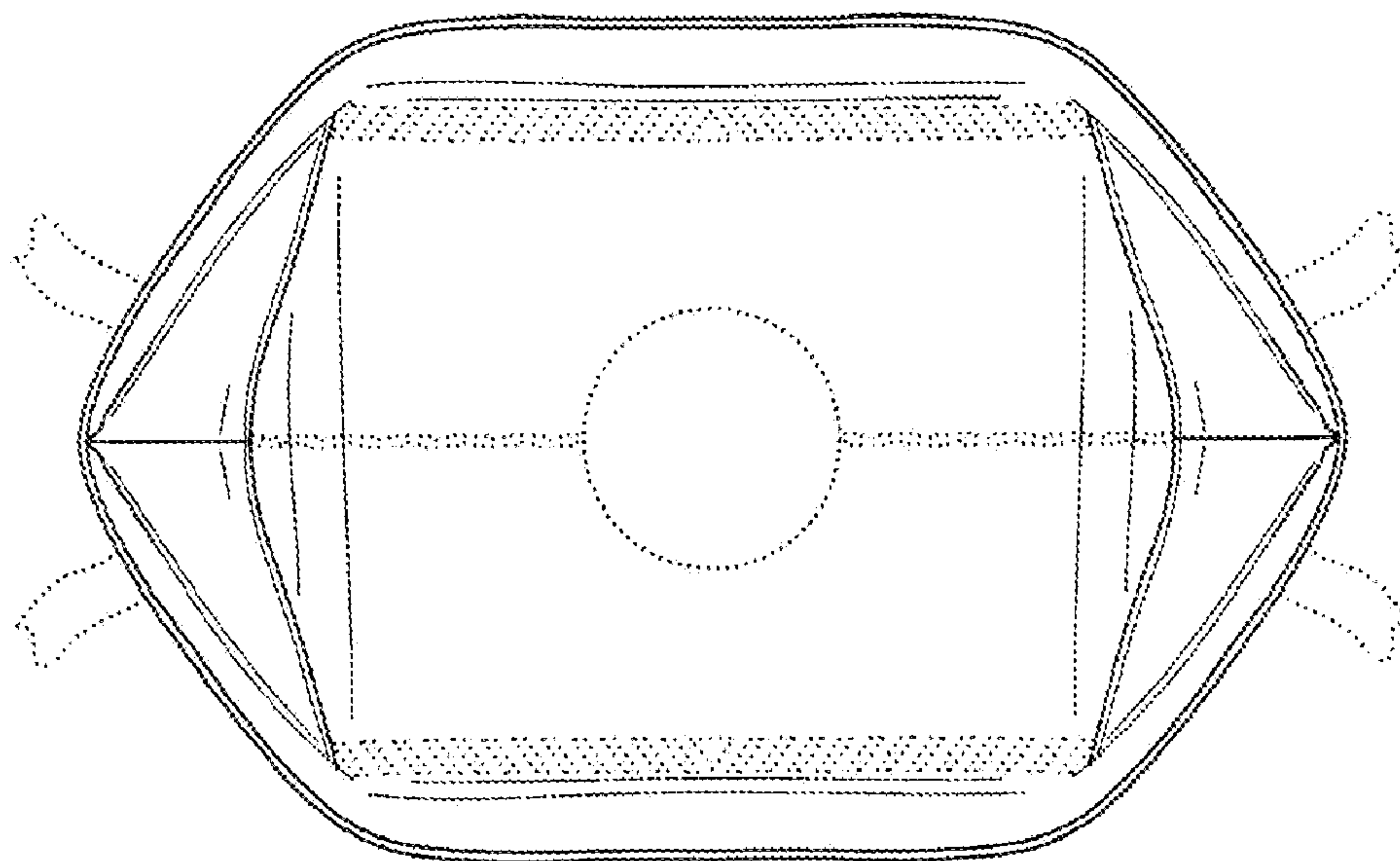


FIG. 7

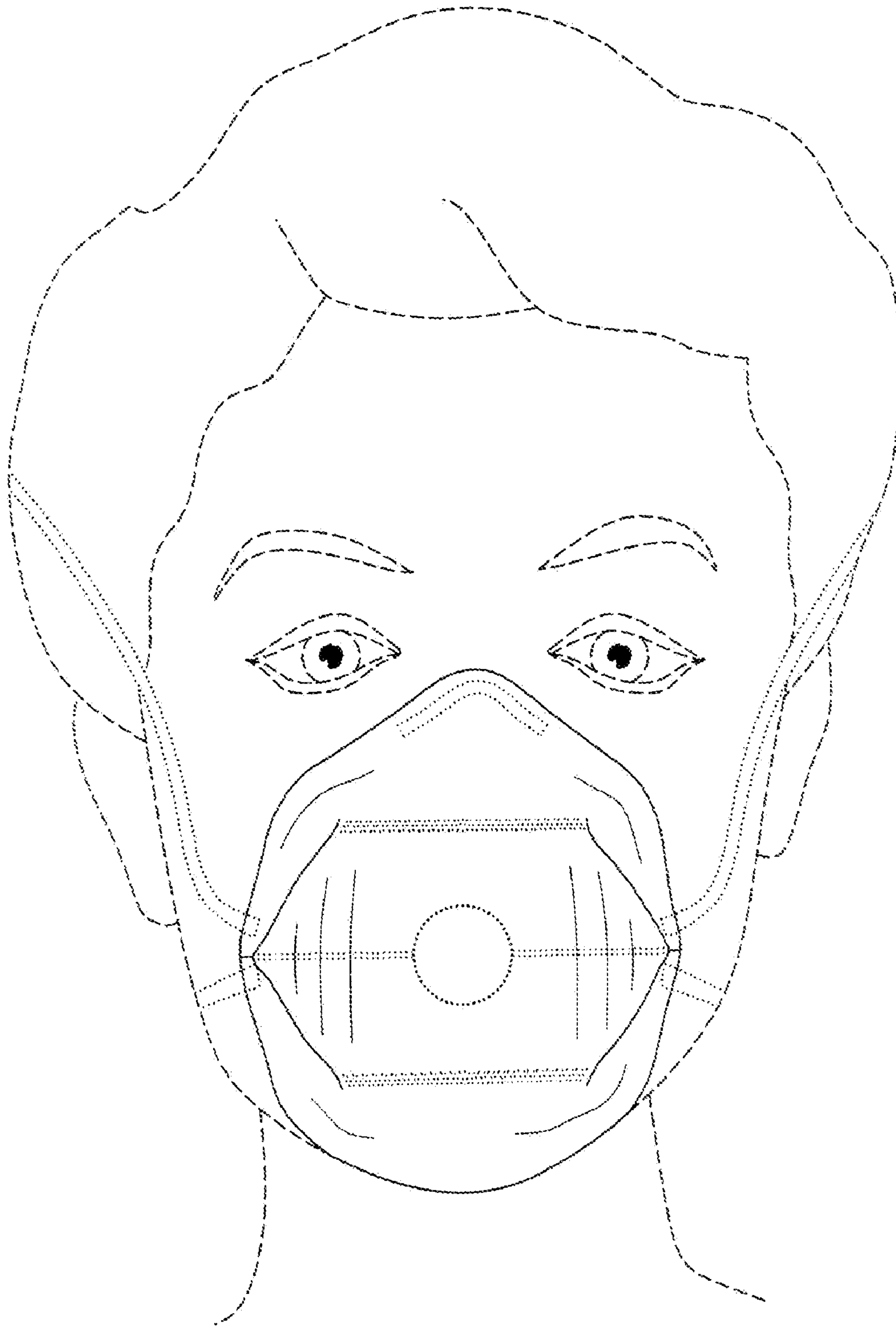


FIG. 8