



US00D567361S

(12) **United States Design Patent**
Curtin

(10) **Patent No.:** **US D567,361 S**

(45) **Date of Patent:** **** Apr. 22, 2008**

(54) **CEILING FAN HOUSING**

(75) Inventor: **Brett Curtin**, Scottsdale, AZ (US)

(73) Assignee: **Craftmade International, Inc.**,
Coppell, TX (US)

(**) Term: **14 Years**

(21) Appl. No.: **29/292,368**

(22) Filed: **Oct. 10, 2007**

(51) **LOC (8) Cl.** **23-04**

(52) **U.S. Cl.** **D23/411**

(58) **Field of Classification Search** D23/377,
D23/379, 385, 411, 413; 416/5
See application file for complete search history.

(56) **References Cited**

U.S. PATENT DOCUMENTS

D406,332 S *	3/1999	Liu	D23/411
D528,198 S *	9/2006	Dye	D23/411
D553,239 S *	10/2007	Wang	D23/411
D556,887 S *	12/2007	Curtin	D23/411

* cited by examiner

Primary Examiner—Lisa P Lichtenstein

(74) *Attorney, Agent, or Firm*—Munsch Hardt Kopf & Harr
PC

(57) **CLAIM**

The ornamental design for a ceiling fan housing, as shown and described.

DESCRIPTION

FIG. 1 is a perspective view of the ceiling fan housing showing my new design in use;

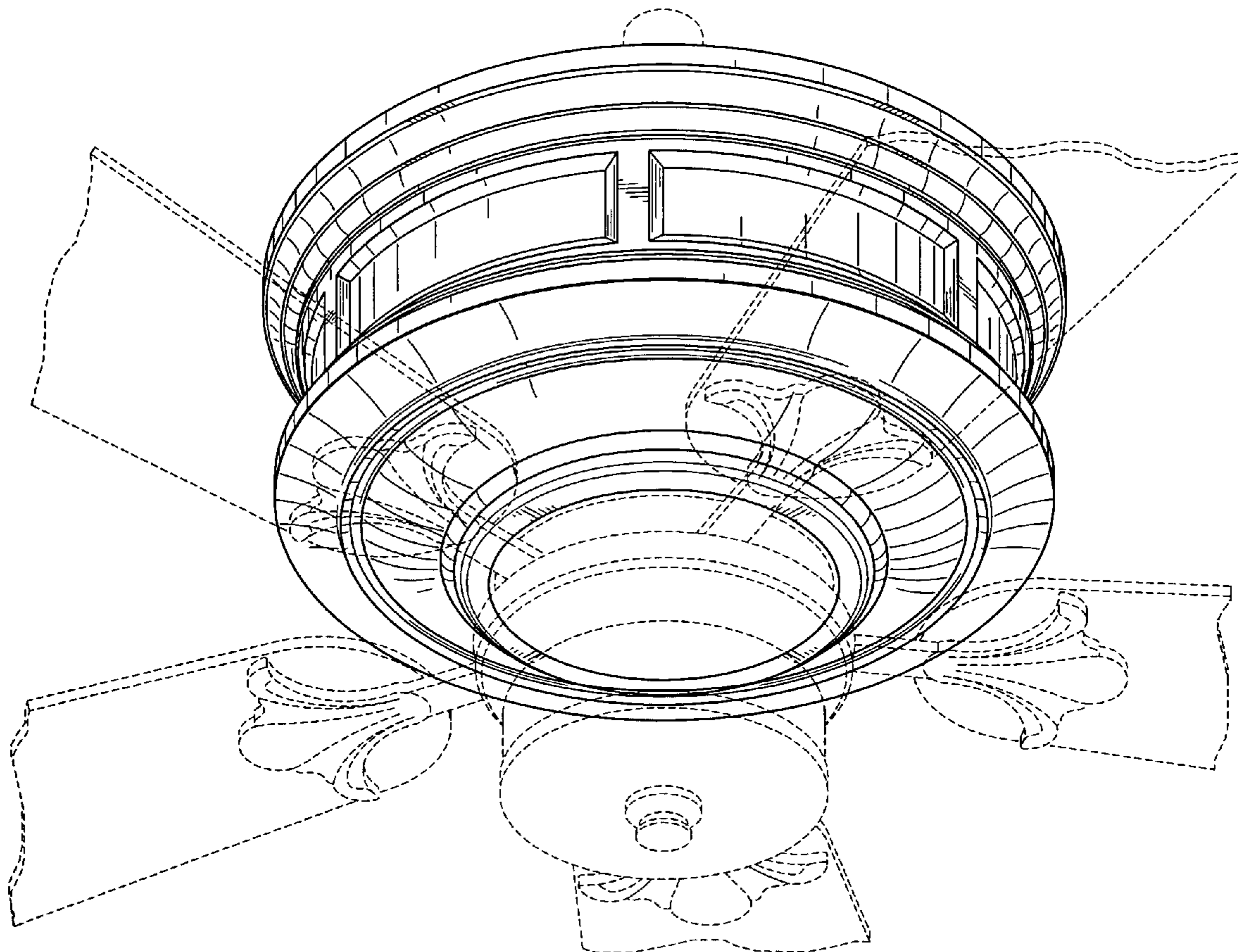
FIG. 2 front elevational view thereof, the rear elevational view being identical thereto;

FIG. 3 is a top plan view thereof; and,

FIG. 4 is a bottom plan view thereof.

The broken line showing of the ceiling fan blades, blade irons, support rod and light fixture is included for the purpose of illustrating environmental structure and forms no part of the claimed design.

1 Claim, 4 Drawing Sheets



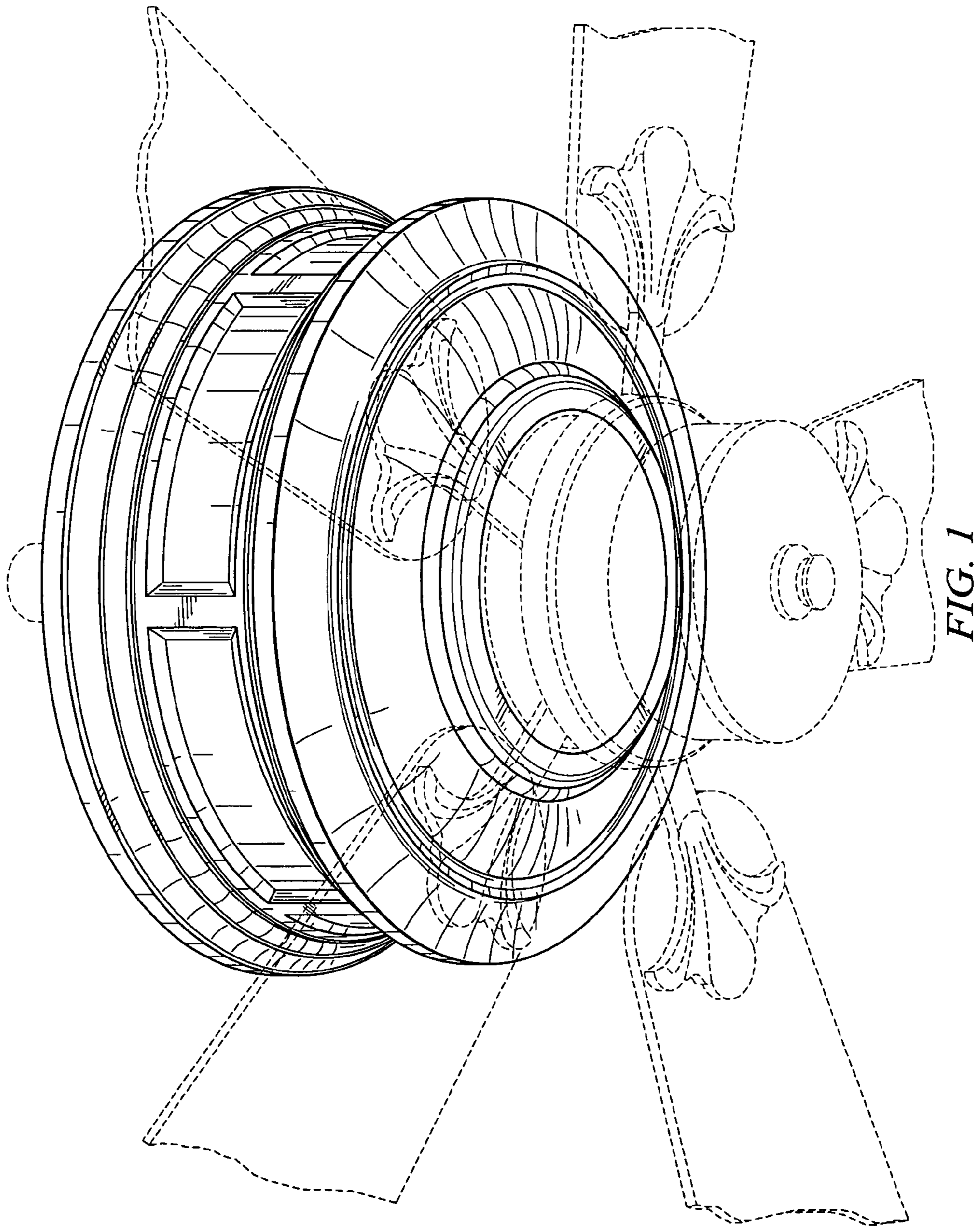


FIG. 1

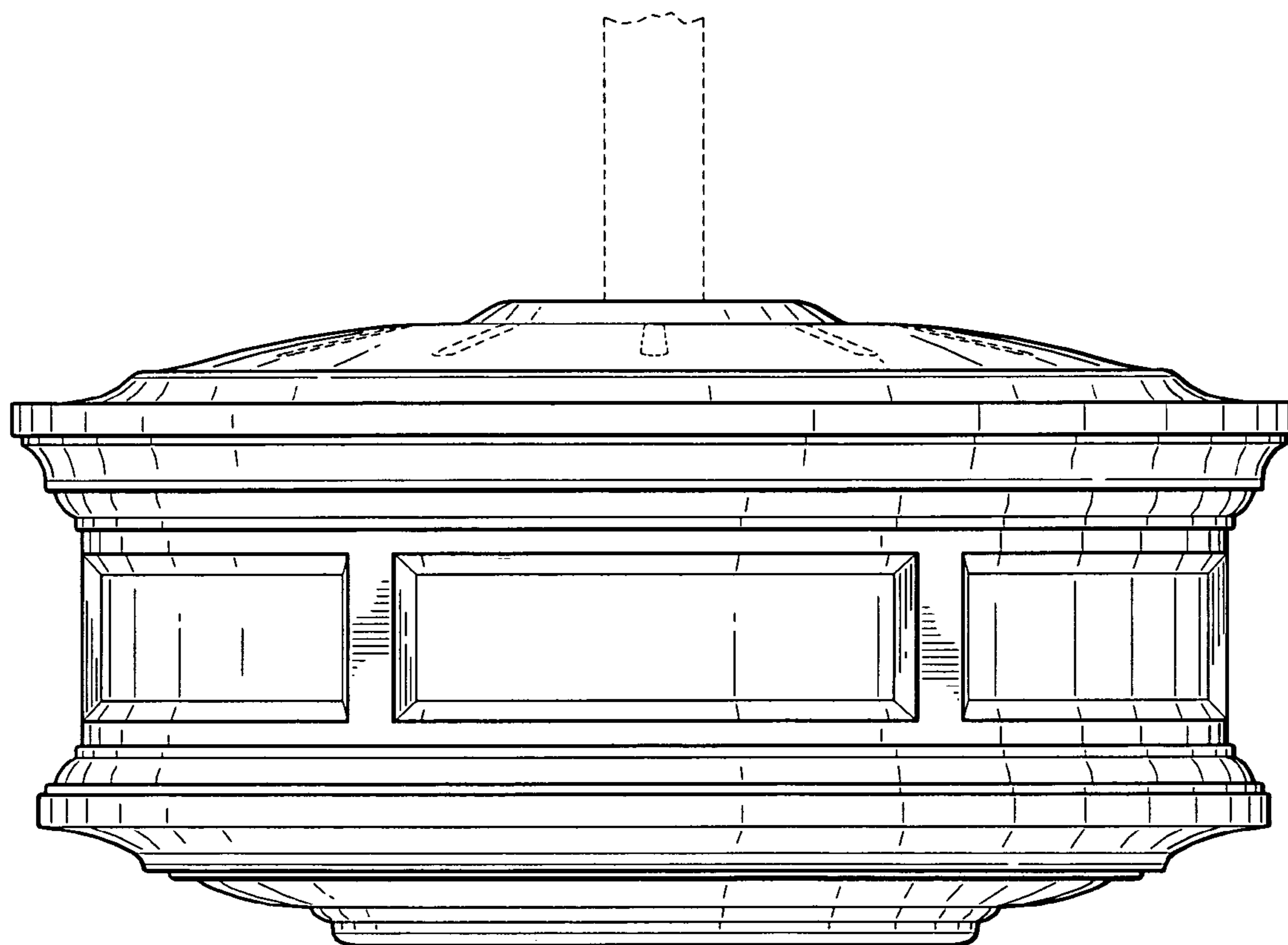


FIG. 2

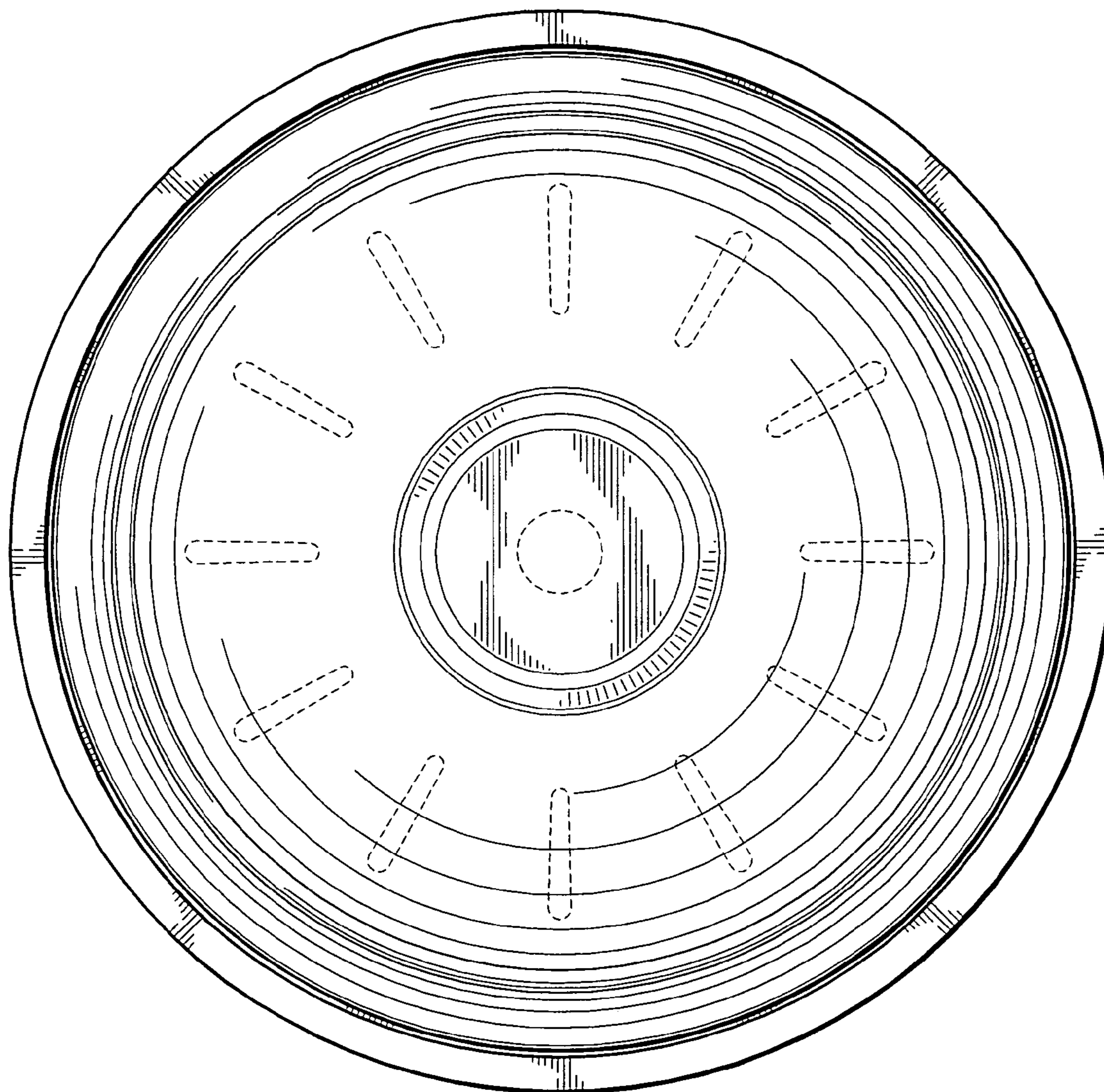


FIG. 3

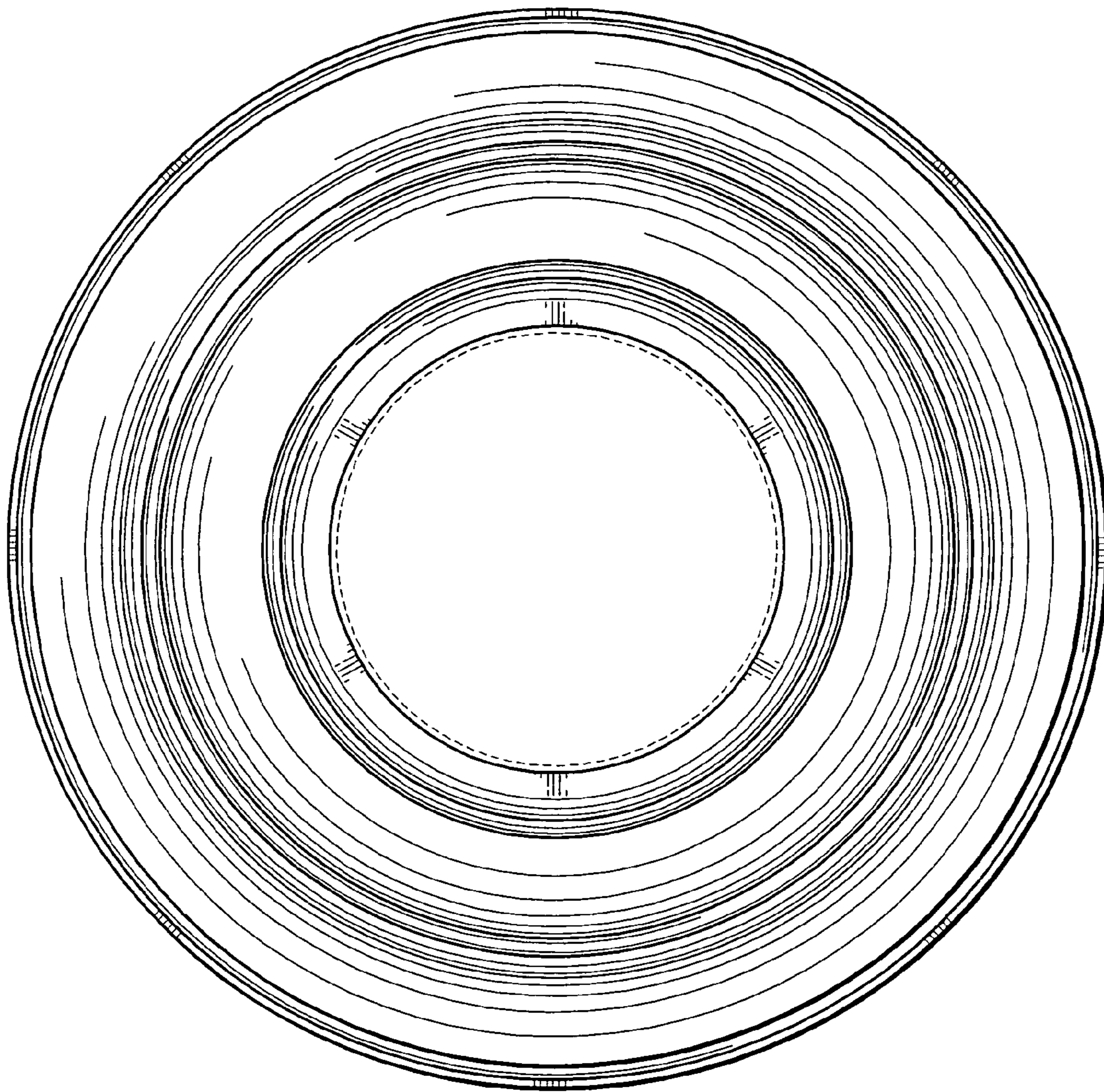


FIG. 4