



US00D567359S

(12) **United States Design Patent**
Teiber et al.

(10) **Patent No.:** **US D567,359 S**
(45) **Date of Patent:** **** Apr. 22, 2008**

(54) **CEILING FAN BLADE IRON**

(75) Inventors: **Todd Teiber**, Plano, TX (US); **Walter Brookins**, Dallas, TX (US)

(73) Assignee: **Craftmade International, Inc.**, Coppell, TX (US)

(**) Term: **14 Years**

(21) Appl. No.: **29/292,366**

(22) Filed: **Oct. 10, 2007**

(51) **LOC (8) Cl.** **23-04**

(52) **U.S. Cl.** **D23/411**

(58) **Field of Classification Search** D23/377,
D23/379, 385, 411, 413; 416/5
See application file for complete search history.

(56) **References Cited**

U.S. PATENT DOCUMENTS

D370,973 S *	6/1996	Wu	D23/411
D402,362 S *	12/1998	Pickett	D23/377
D547,434 S *	7/2007	Yang	D23/411
D553,240 S *	10/2007	Badarello	D23/411
D555,238 S *	11/2007	Pickett	D23/411

* cited by examiner

Primary Examiner—Lisa P Lichtenstein

(74) *Attorney, Agent, or Firm*—Munsch Hardt Kopf & Harr PC

(57) **CLAIM**

The ornamental design for a ceiling fan blade iron, as shown and described.

DESCRIPTION

FIG. 1 is a perspective view of the ceiling fan blade iron showing our new design;

FIG. 2 is a front elevational view thereof;

FIG. 3 is a rear elevational view thereof;

FIG. 4 is a right side elevational view thereof;

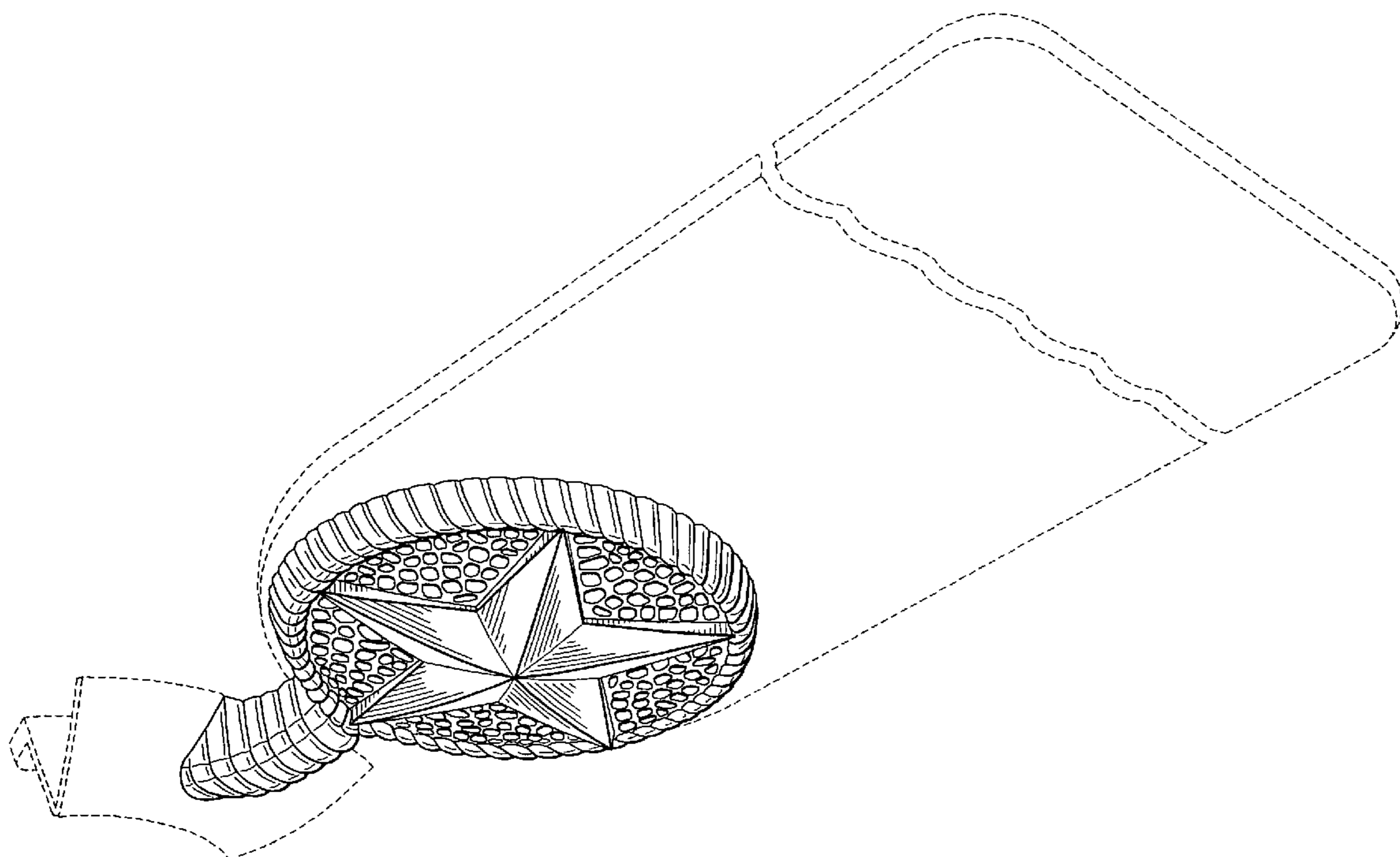
FIG. 5 is a left side elevational view thereof;

FIG. 6 is a bottom plan view thereof; and,

FIG. 7 is a top plan view thereof.

The broken line showing of the ceiling fan blade, blade iron attachment member and top of the ceiling fan blade iron is included for the purpose of illustrating environmental structure and forms no part of the claimed design.

1 Claim, 3 Drawing Sheets



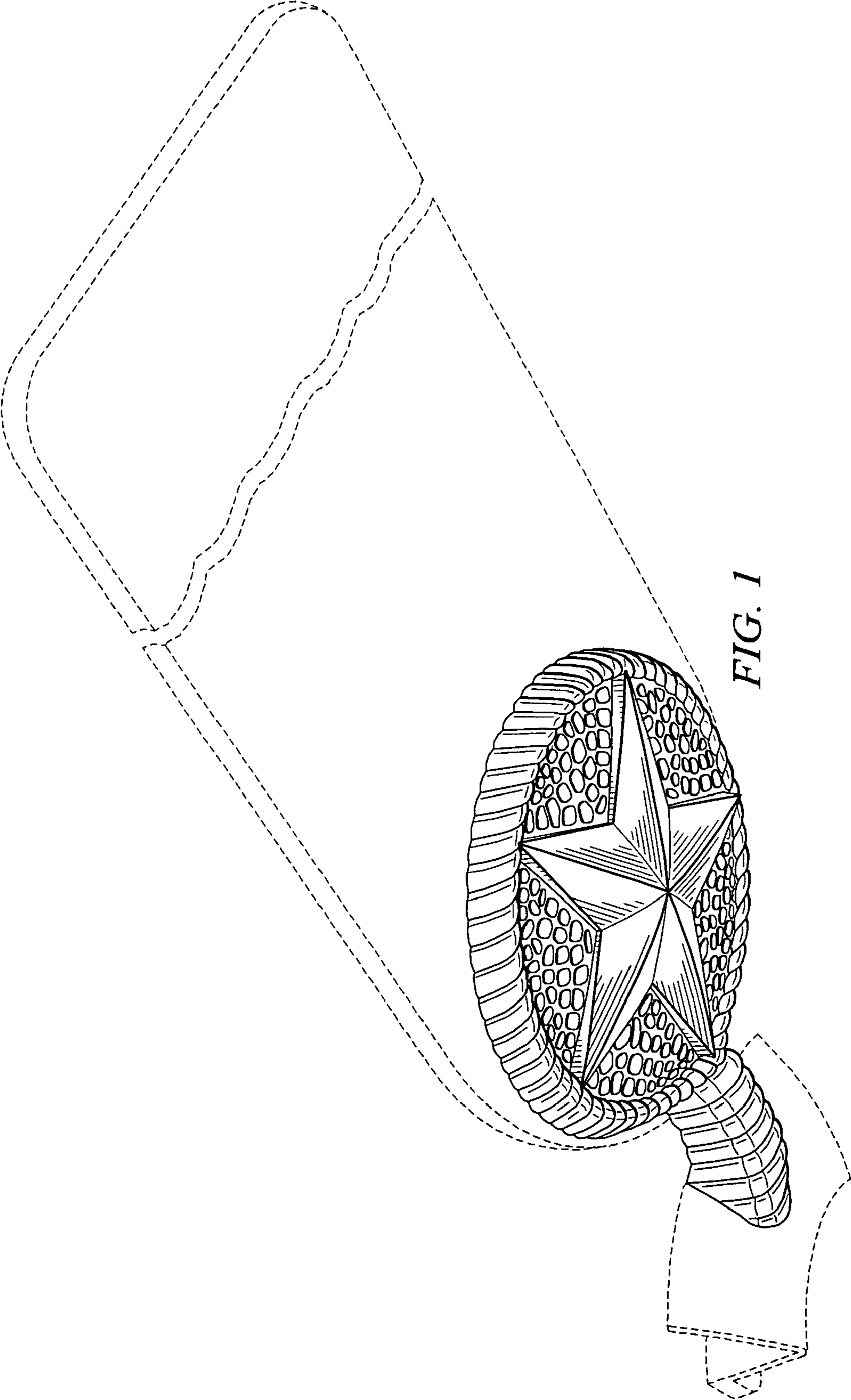


FIG. 1

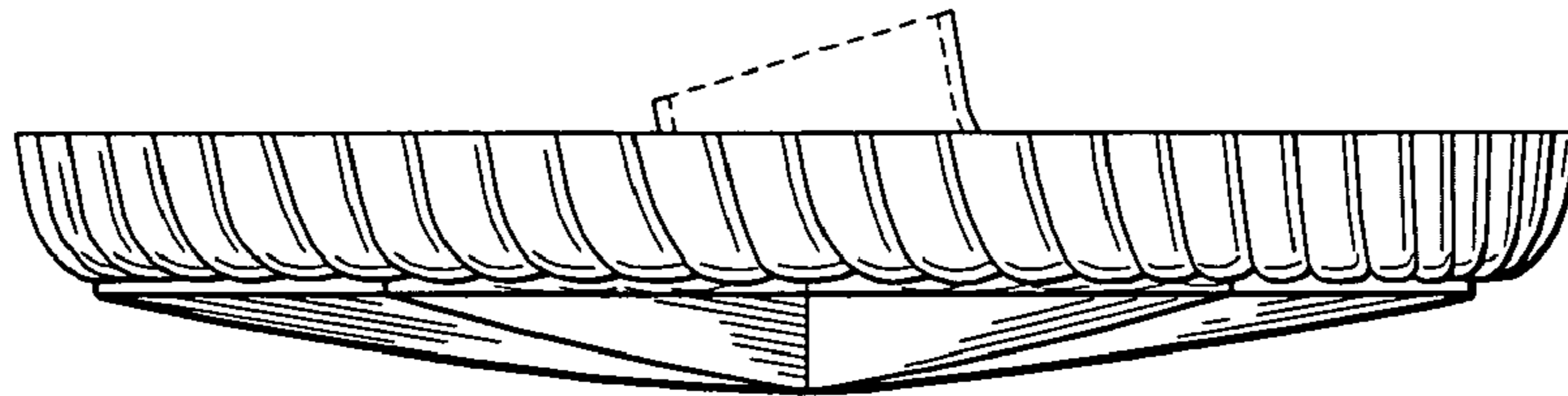


FIG. 2

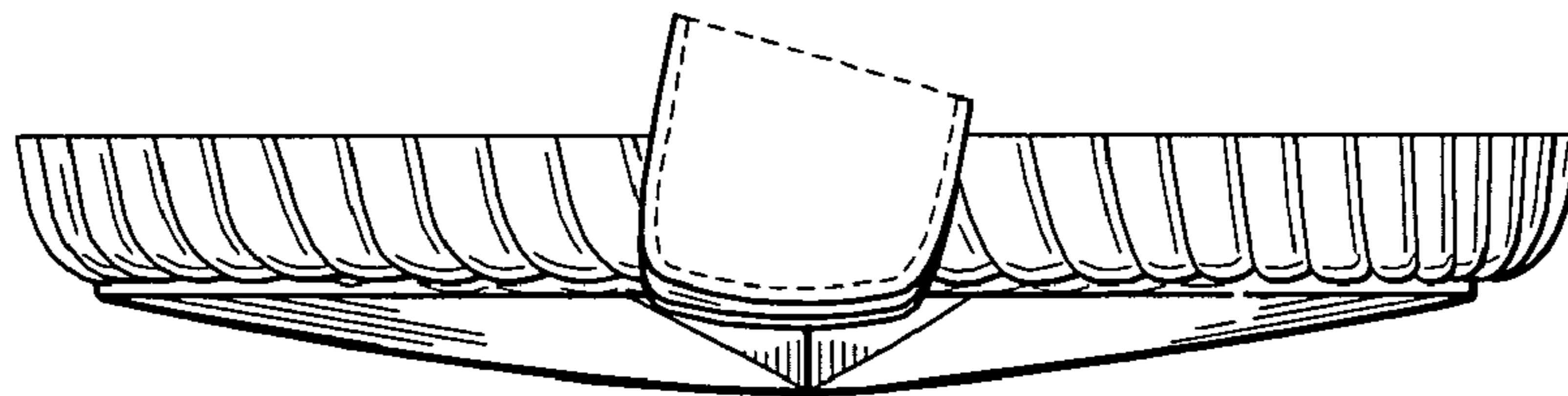


FIG. 3

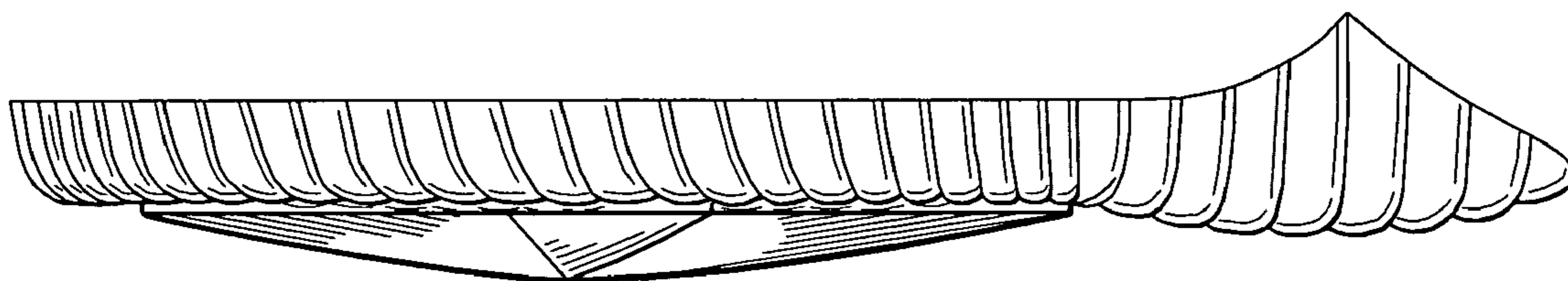


FIG. 4

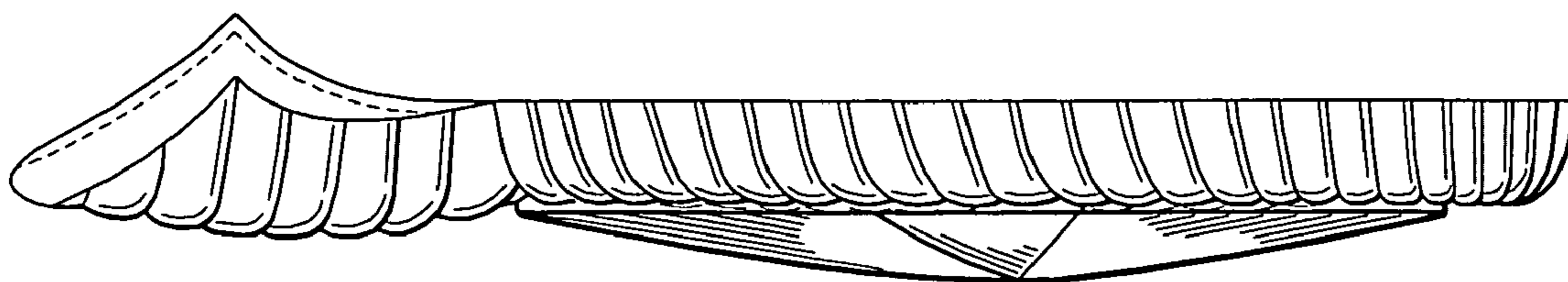


FIG. 5

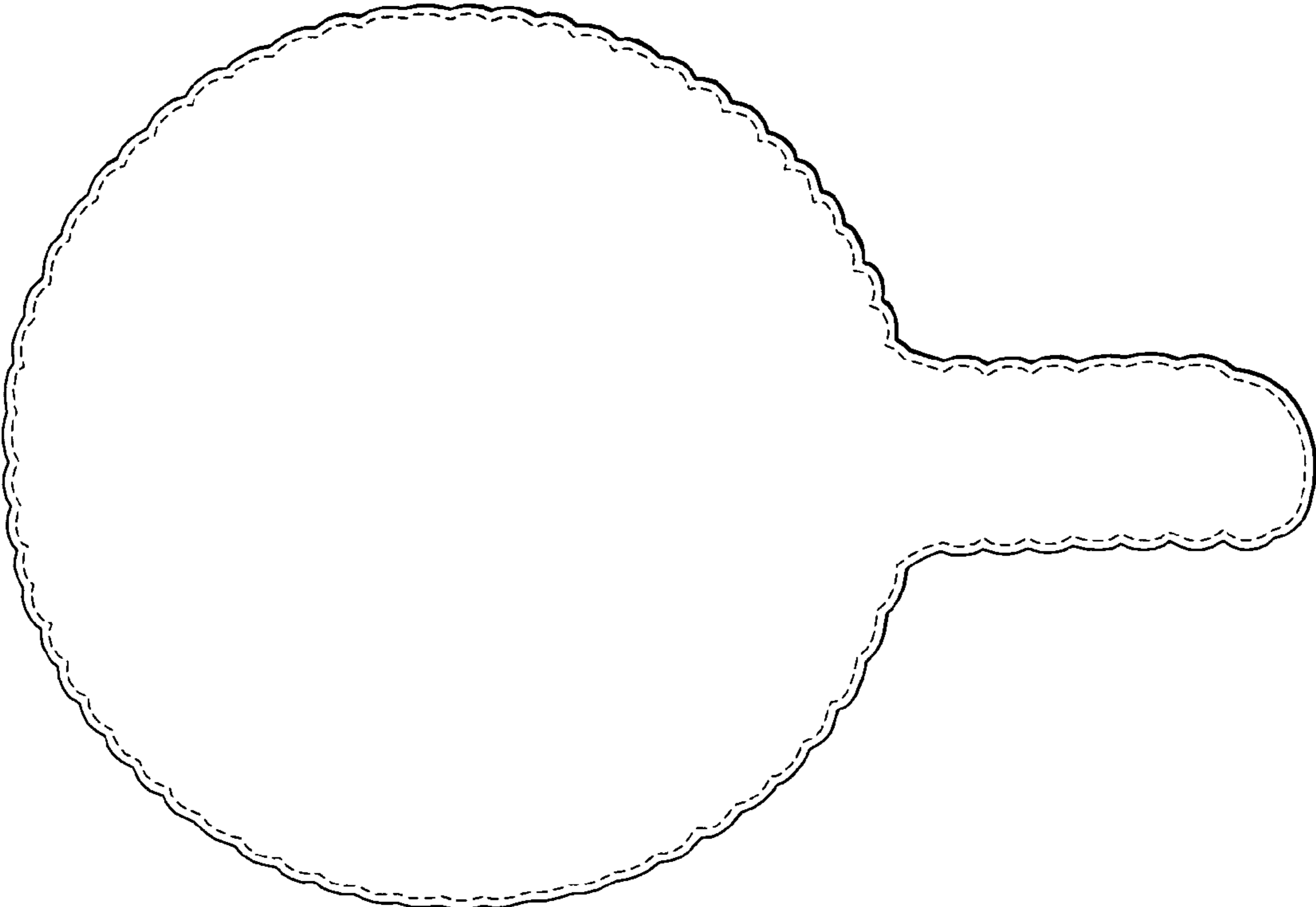


FIG. 7

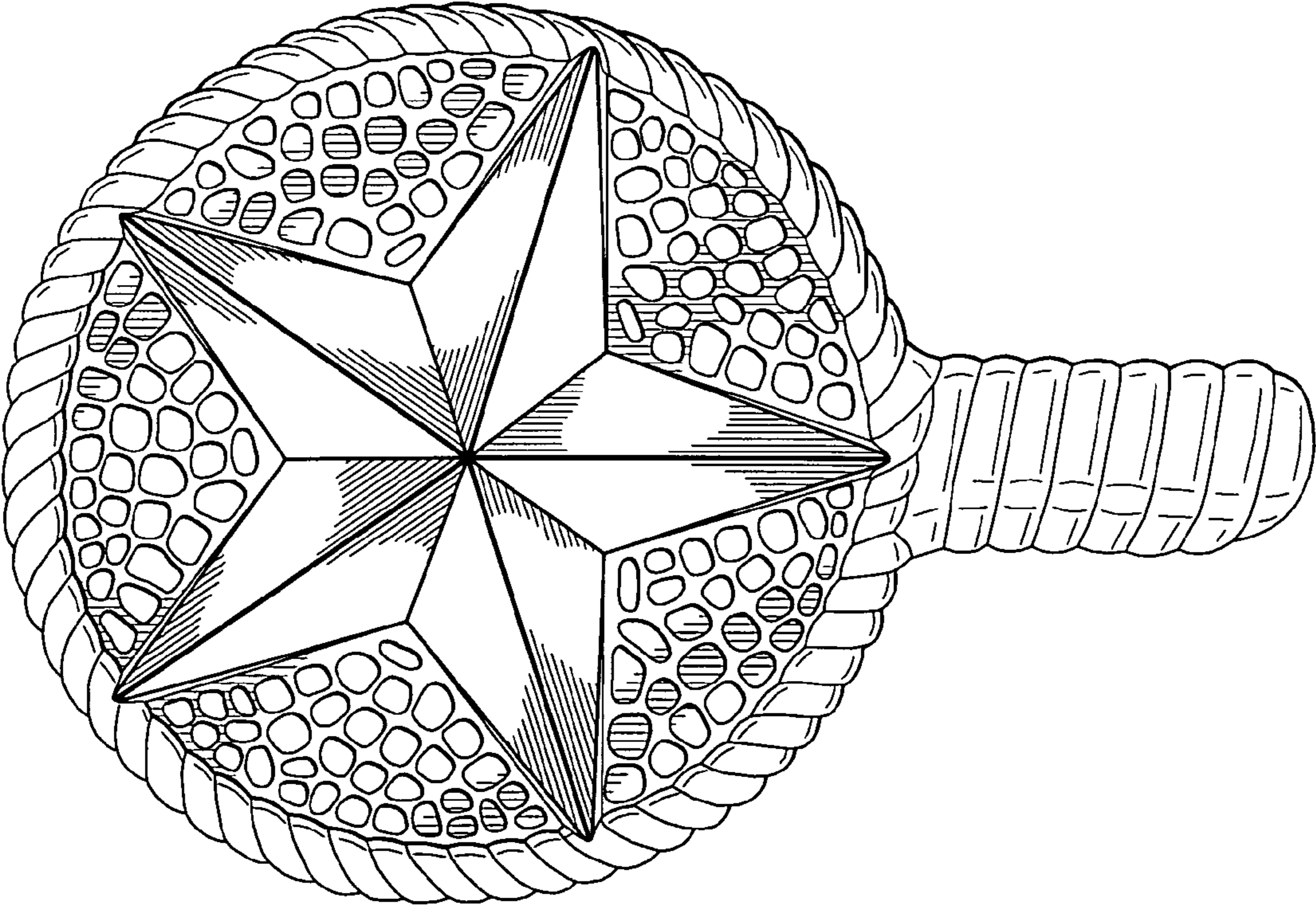


FIG. 6