



US00D567357S

(12) **United States Design Patent**
Curtin

(10) **Patent No.:** **US D567,357 S**

(45) **Date of Patent:** **** Apr. 22, 2008**

(54) **CEILING FAN BLADE IRON**

(75) Inventor: **Brett Curtin**, Scottsdale, AZ (US)

(73) Assignee: **Craftmade International, Inc.**,
Coppell, TX (US)

(**) Term: **14 Years**

(21) Appl. No.: **29/292,363**

(22) Filed: **Oct. 10, 2007**

(51) **LOC (8) Cl.** **23-04**

(52) **U.S. Cl.** **D23/411**

(58) **Field of Classification Search** D23/377,
D23/379, 385, 411, 413; 416/5
See application file for complete search history.

(56) **References Cited**

U.S. PATENT DOCUMENTS

D480,797 S	*	10/2003	Young	D23/411
D513,531 S	*	1/2006	Hidalgo	D23/411
D527,093 S	*	8/2006	Holmes	D23/411
D532,102 S	*	11/2006	Stauffer	D23/411
D553,240 S	*	10/2007	Badarello	D23/411

* cited by examiner

Primary Examiner—Lisa Lichtenstein

(74) *Attorney, Agent, or Firm*—Munsch Hardt Kopf & Harr
PC

(57) **CLAIM**

The ornamental design for a ceiling fan blade iron, as shown and described.

DESCRIPTION

FIG. 1 is a perspective view of the ceiling fan blade iron showing my new design;

FIG. 2 is a front elevational view thereof;

FIG. 3 is a rear elevational view thereof;

FIG. 4 is a right side elevational view thereof;

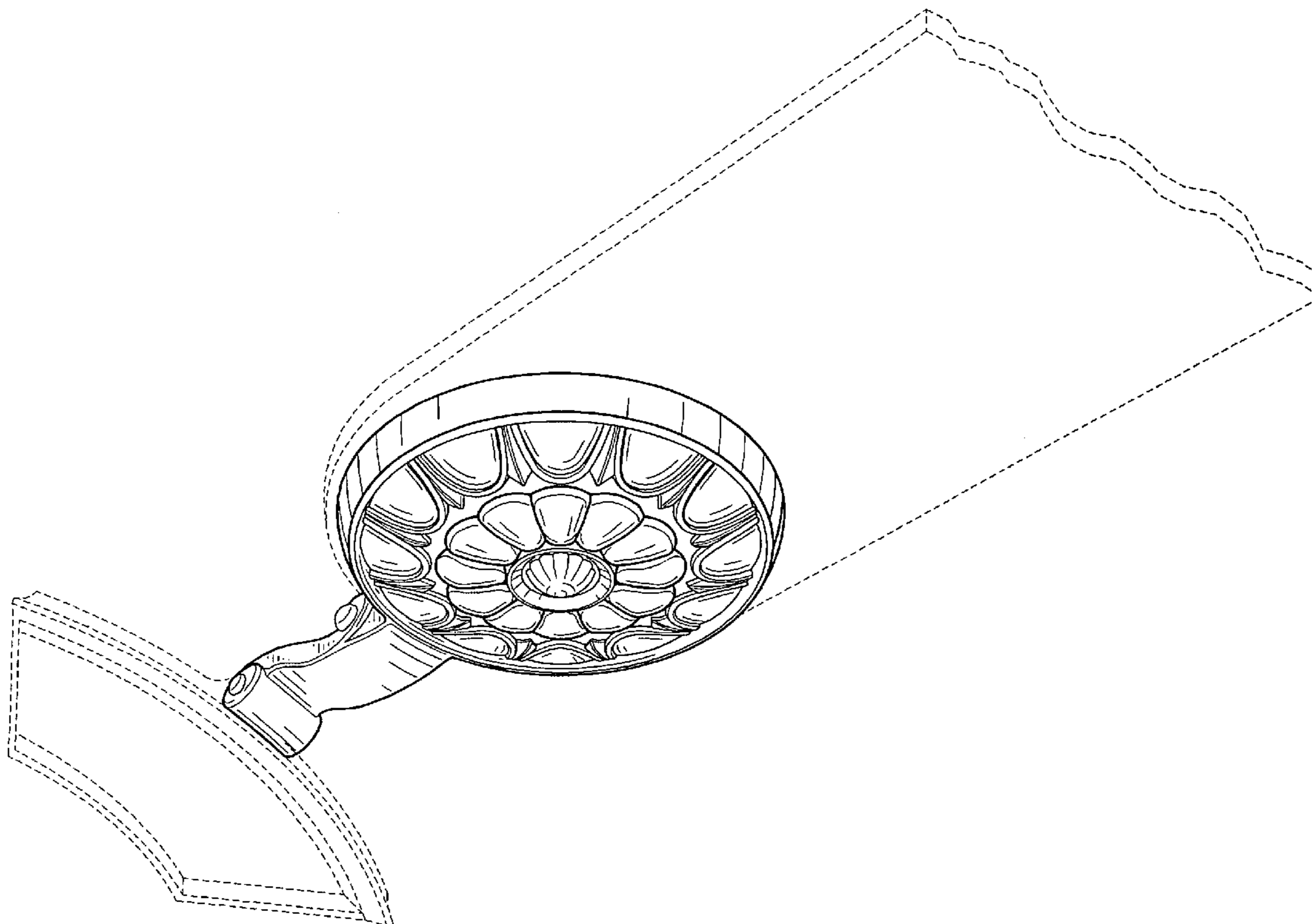
FIG. 5 is a left side elevational view thereof;

FIG. 6 is a bottom plan view thereof; and,

FIG. 7 is a top plan view thereof.

The broken line showing of the ceiling fan blade, blade iron attachment member and top of the ceiling fan blade iron is included for the purpose of illustrating environmental structure and forms no part of the claimed design.

1 Claim, 5 Drawing Sheets



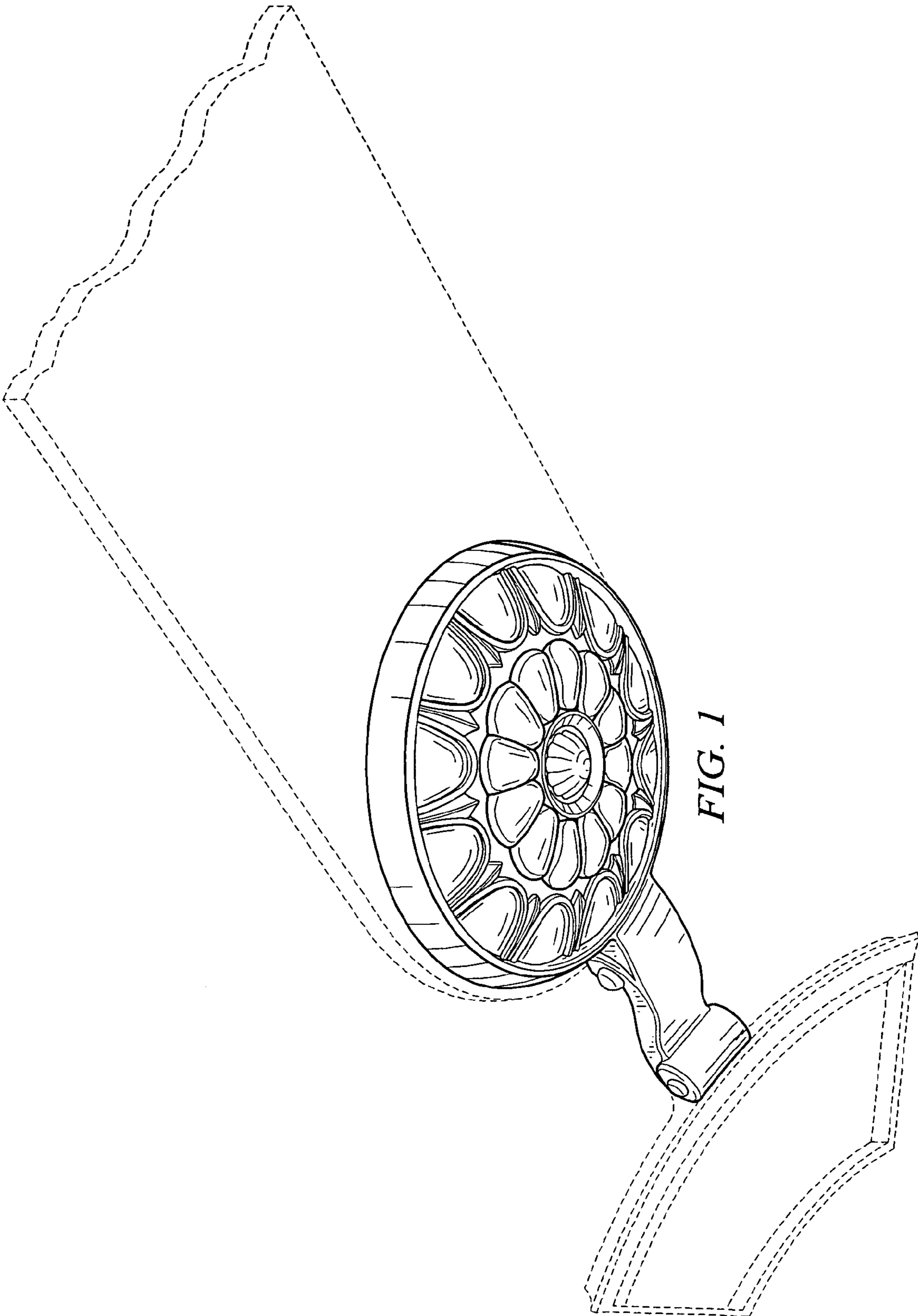


FIG. 1

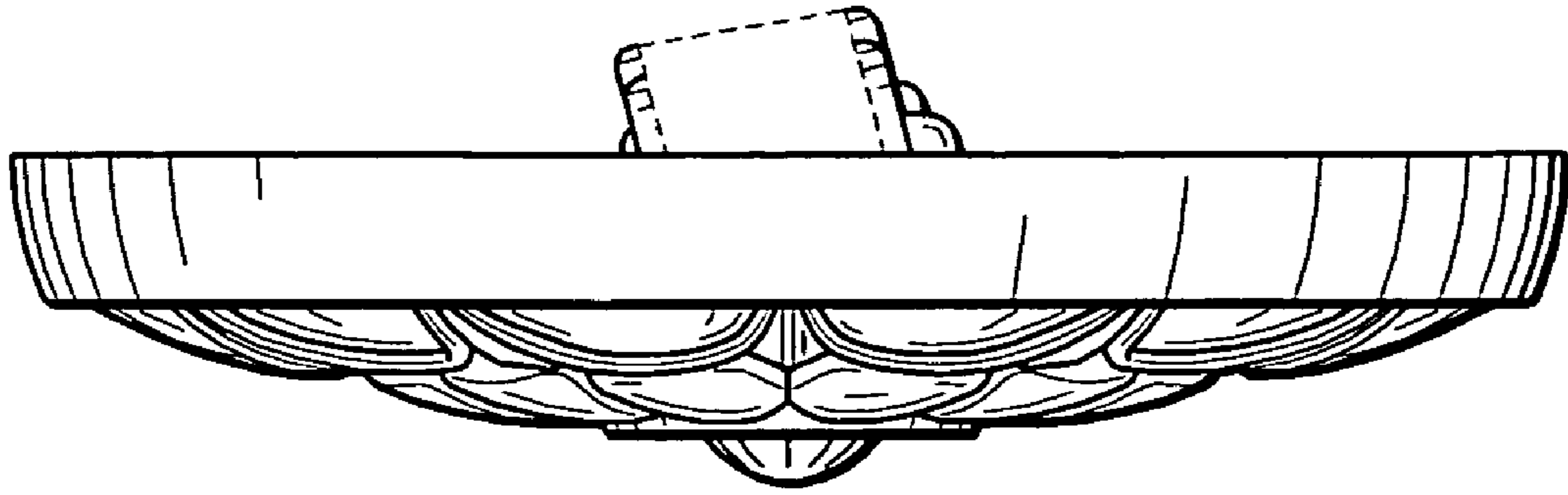


FIG. 2

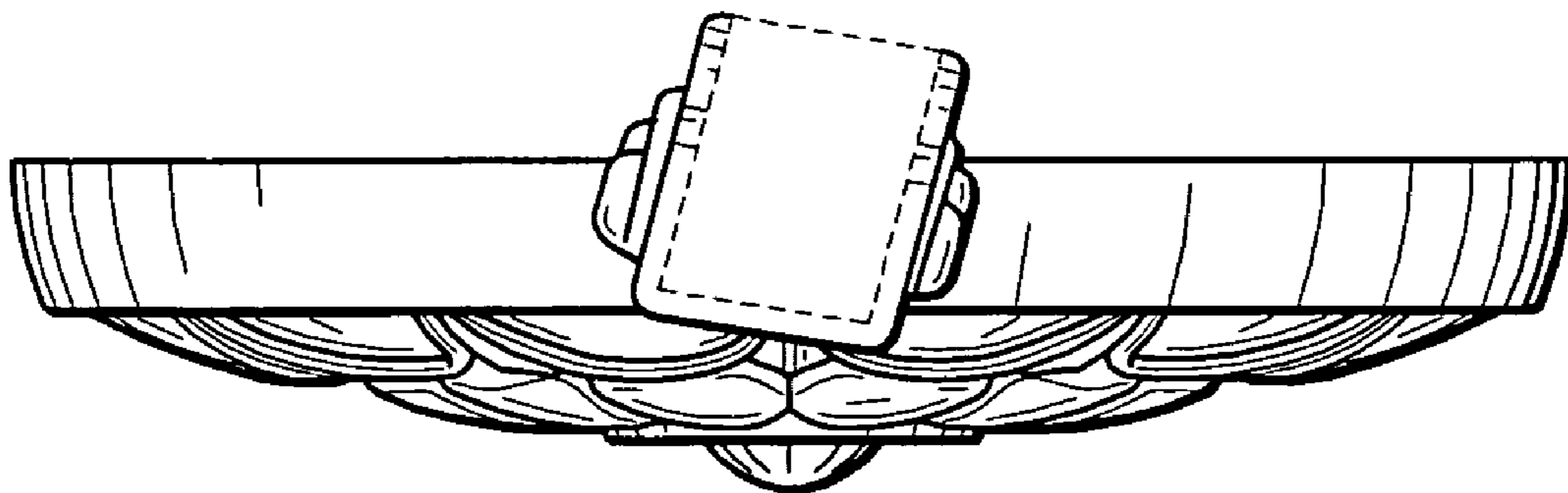


FIG. 3

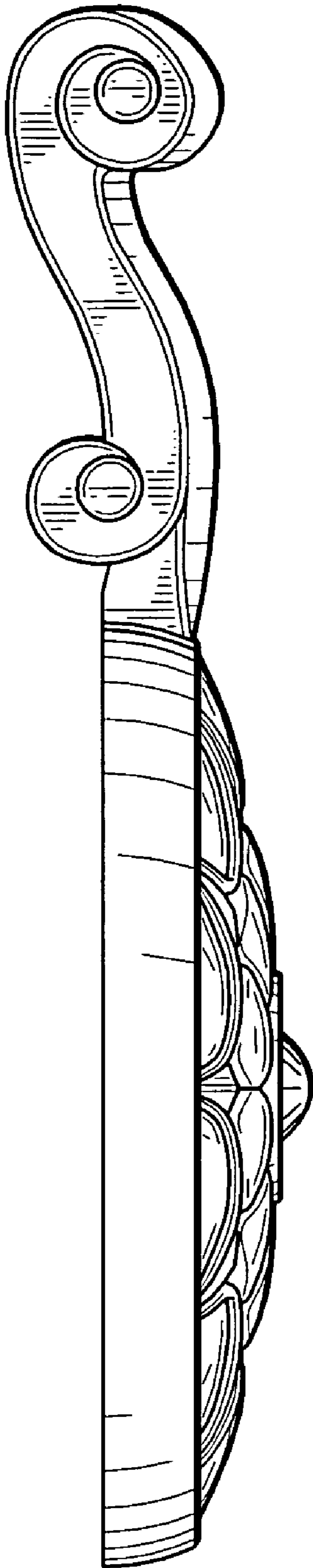


FIG. 4

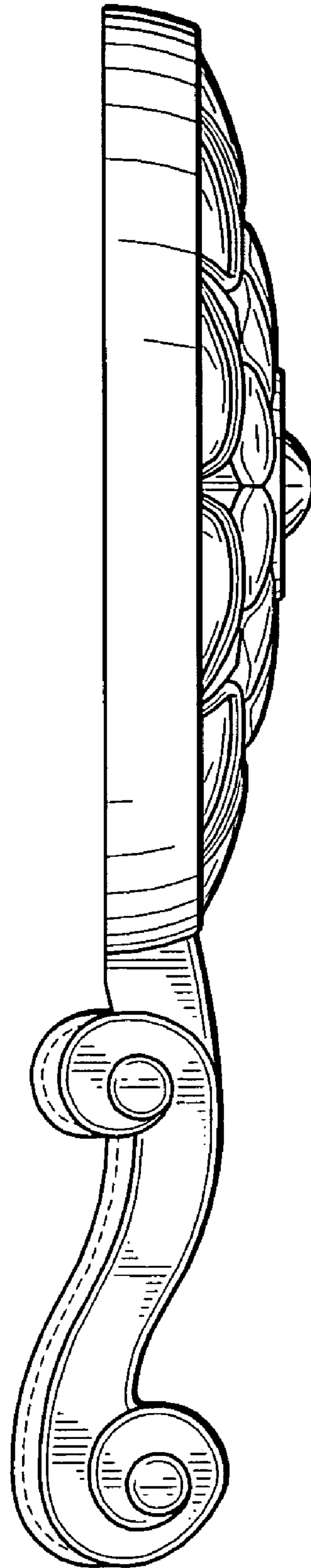


FIG. 5

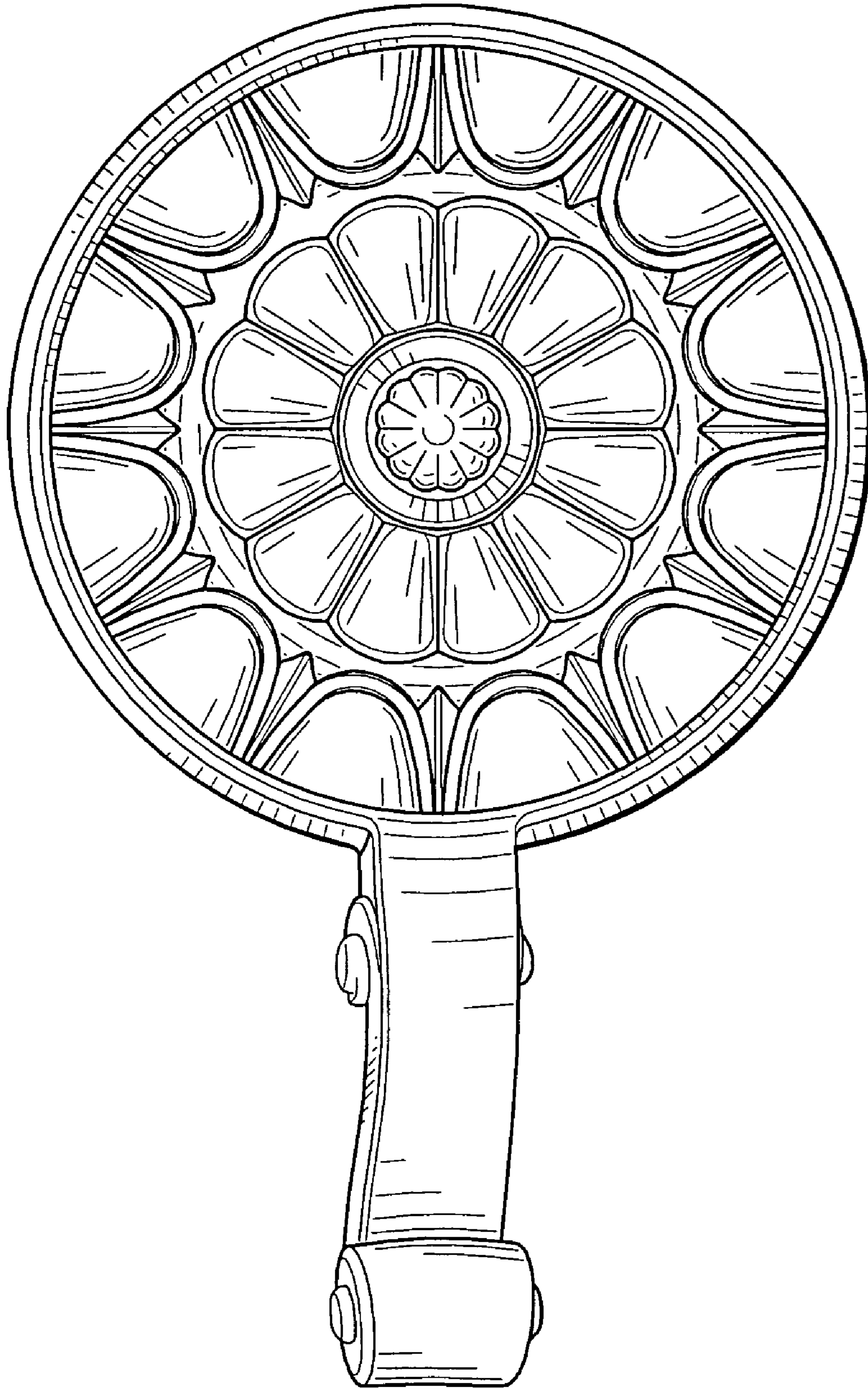


FIG. 6

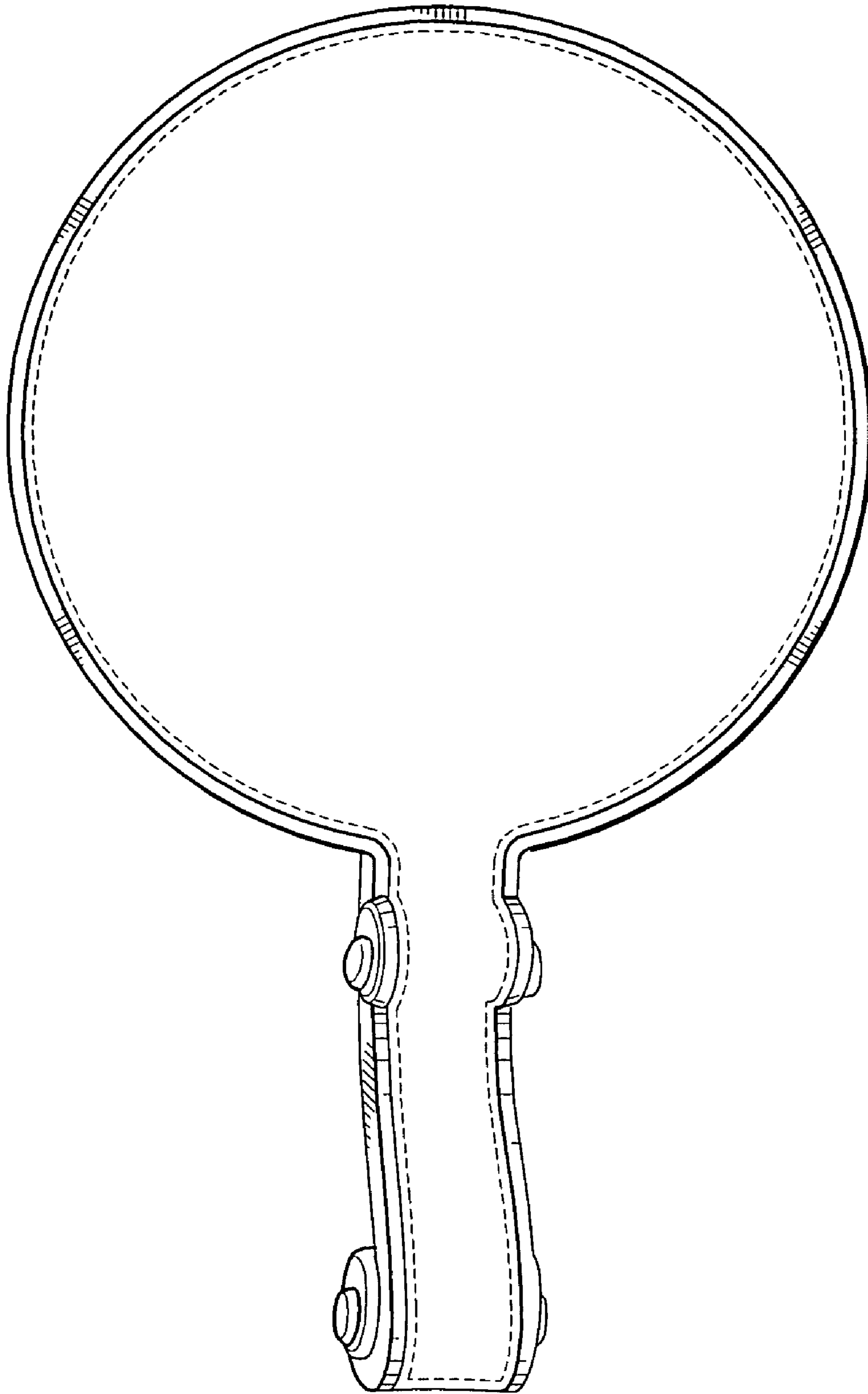


FIG. 7