



US00D567356S

(12) **United States Design Patent**  
**Hidalgo**

(10) **Patent No.:** **US D567,356 S**

(45) **Date of Patent:** **\*\* Apr. 22, 2008**

(54) **CEILING FAN HOUSING**

(75) Inventor: **Rolando Hidalgo**, Orange, CA (US)

(73) Assignee: **Minka Lighting, Inc.**, Corona, CA (US)

(\*\*) Term: **14 Years**

(21) Appl. No.: **29/249,968**

(22) Filed: **Oct. 27, 2006**

(51) **LOC (8) Cl.** ..... **23-04**

(52) **U.S. Cl.** ..... **D23/411**

(58) **Field of Classification Search** ..... D23/377,  
D23/379, 385, 411, 413; 416/5; D26/59,  
D26/51, 72, 80-86, 73

See application file for complete search history.

(56) **References Cited**

**U.S. PATENT DOCUMENTS**

D345,206 S *	3/1994	DiPasquale	.....	D23/411
D367,321 S *	2/1996	Holbrook	.....	D23/411
D378,404 S	3/1997	Jaspers-Fayer		
D393,711 S *	4/1998	Gee et al.	.....	D23/411
D428,134 S *	7/2000	Liu	.....	D23/411
D436,659 S *	1/2001	Campbell	.....	D23/411
D521,627 S	5/2006	Flores		
D522,122 S	5/2006	Flores		
D522,649 S *	6/2006	Burns	.....	D23/411
D531,304 S *	10/2006	Shurtleff	.....	D23/411
D532,104 S *	11/2006	Pickett	.....	D23/411

**OTHER PUBLICATIONS**

U.S. Appl. No. 29/249,967 filed Oct. 27, 2006.  
 U.S. Appl. No. 29/249,971 filed Oct. 27, 2006.  
 U.S. Appl. No. 29/249,972 filed Oct. 27, 2006.  
 U.S. Appl. No. 29/249,973 filed Oct. 27, 2006.  
 MinkaAire Internet Catalog; Napoli ceiling fan; Model F-705;  
 printed from minkagroup.net on Nov. 10, 2006.  
 MinkaAire Internet Catalog; Classique ceiling fan; Model F-500;  
 printed from minkagroup.net on Nov. 10, 2006.

Emerson Internet Catalog; Lorraine ceiling fan; Model EM-KF240PRZ; printed from hansenwholesale.com on Nov. 10, 2006.

ArtCraft Internet Catalog; Fantasy Bowl Pendant; Model AC2756; printed from lightinguniverse.com on Nov. 10, 2006.

Forte Lighting Internet Catalog; Bowl Pendant; Model 2145-04; printed from lightinguniverse.com on Nov. 10, 2006.

\* cited by examiner

*Primary Examiner*—Lisa P Lichtenstein

(74) *Attorney, Agent, or Firm*—Baker & McKenzie LLP

(57) **CLAIM**

The ornamental design for a ceiling fan housing, as shown and described.

**DESCRIPTION**

FIG. 1 is a perspective view from below of a ceiling fan housing in accordance with my design;

FIG. 2 is a reduced top plan view of the ceiling fan housing in accordance with my design;

FIG. 3 is a reduced bottom plan view of the ceiling fan housing in accordance with my design;

FIG. 4 is a front elevation view of the ceiling fan housing in accordance with my design;

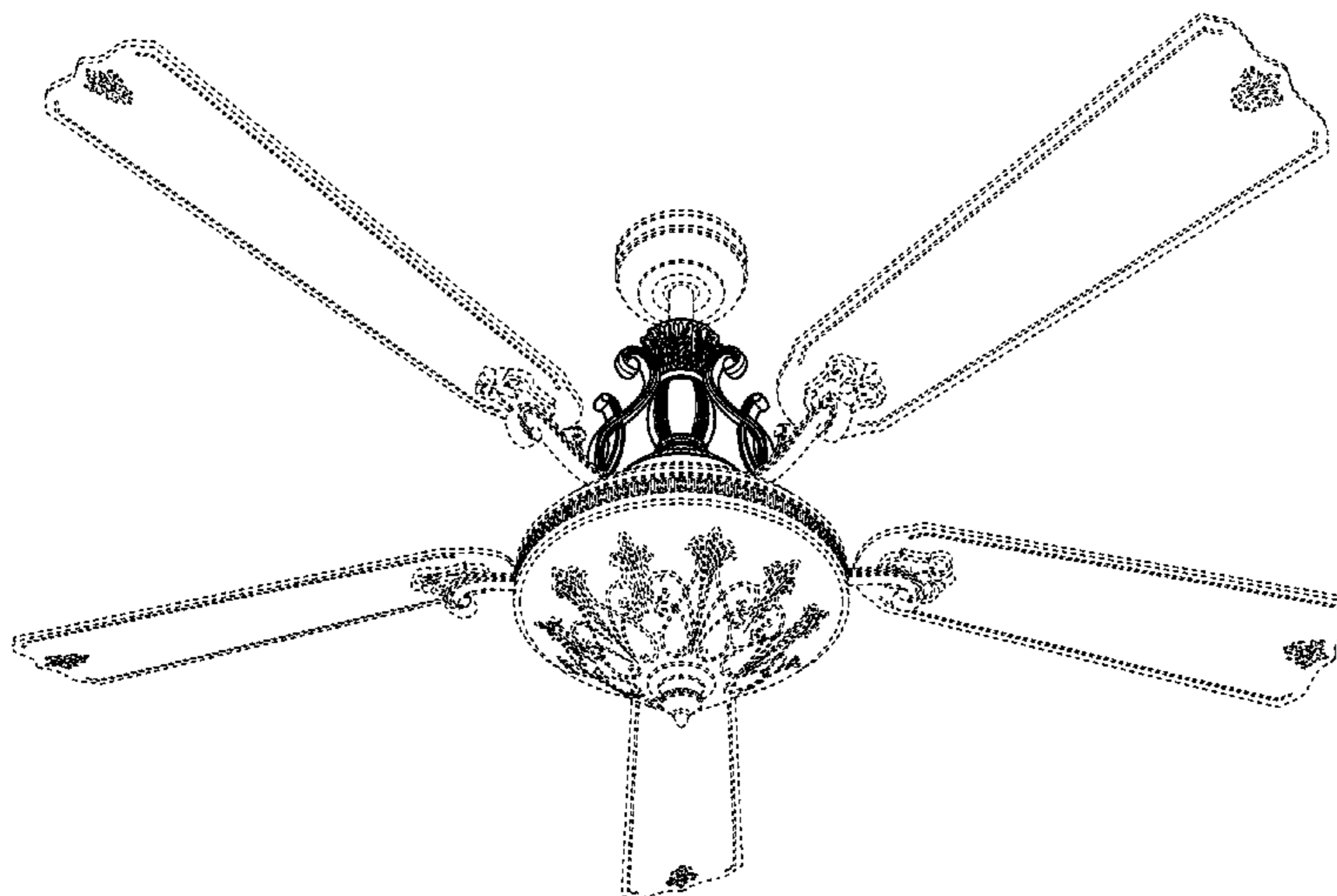
FIG. 5 is a back elevation view of the ceiling fan housing in accordance with my design; and,

FIG. 6 is a side elevation view of the ceiling fan housing in accordance with my design, the opposite side being a mirror image of that shown.

The broken lines showing environmental structure are for illustrative purposes and form no part of the claimed design.

The broken line showing of the fan blades, canopy, light fixture, blade irons, finial, is included for the purpose of illustrating environmental structure and forms no part of the claimed design.

**1 Claim, 6 Drawing Sheets**



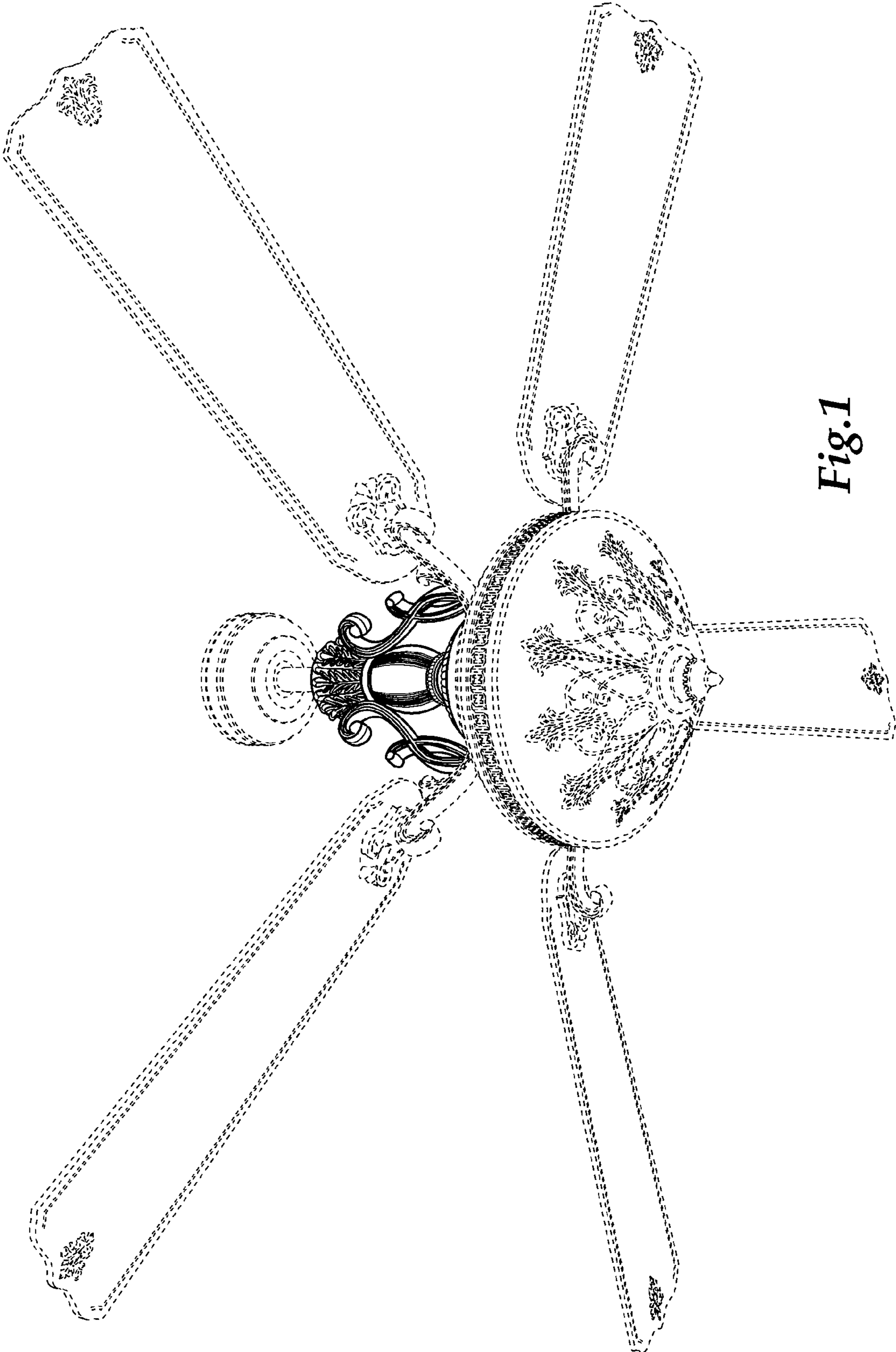
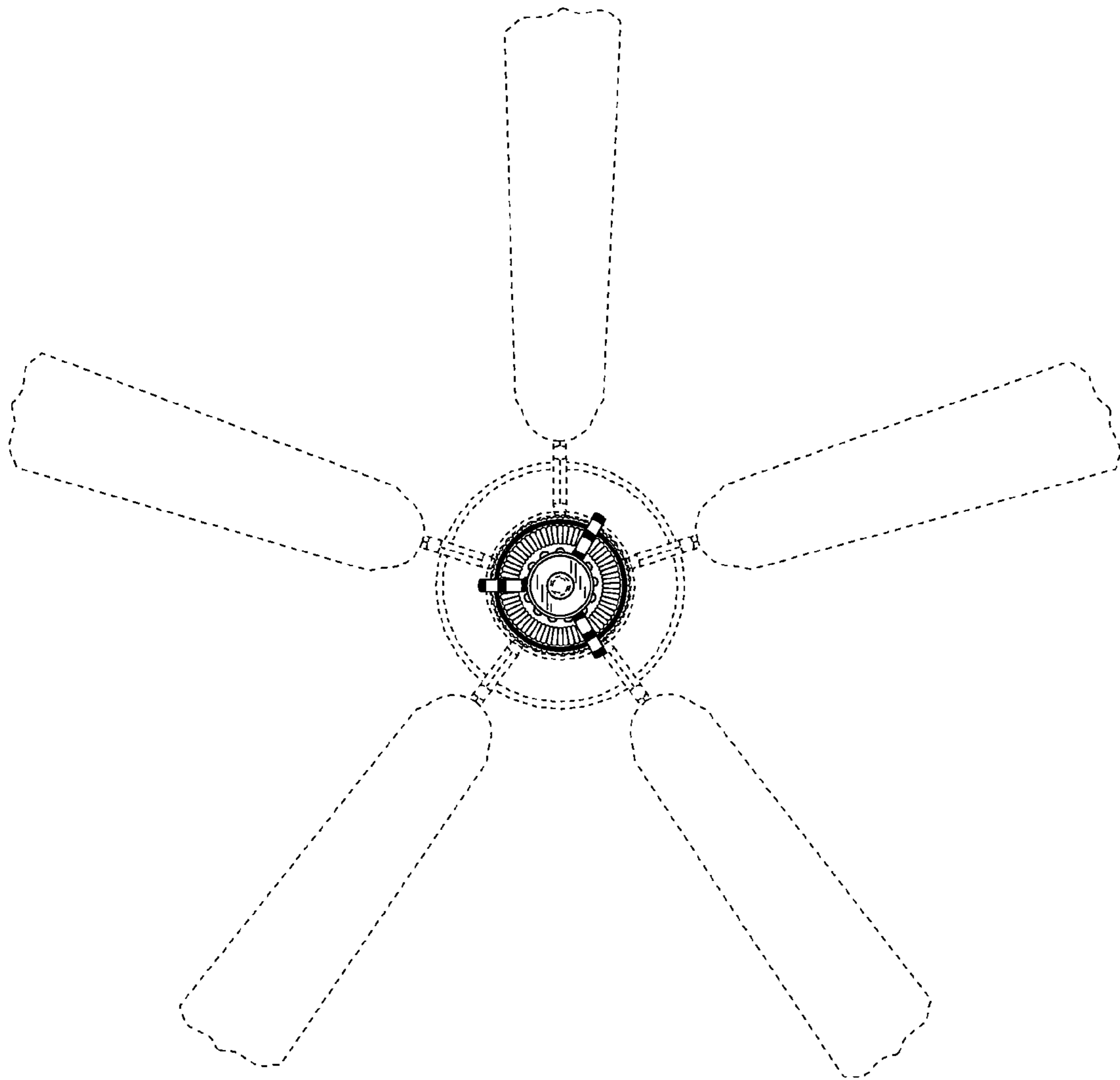
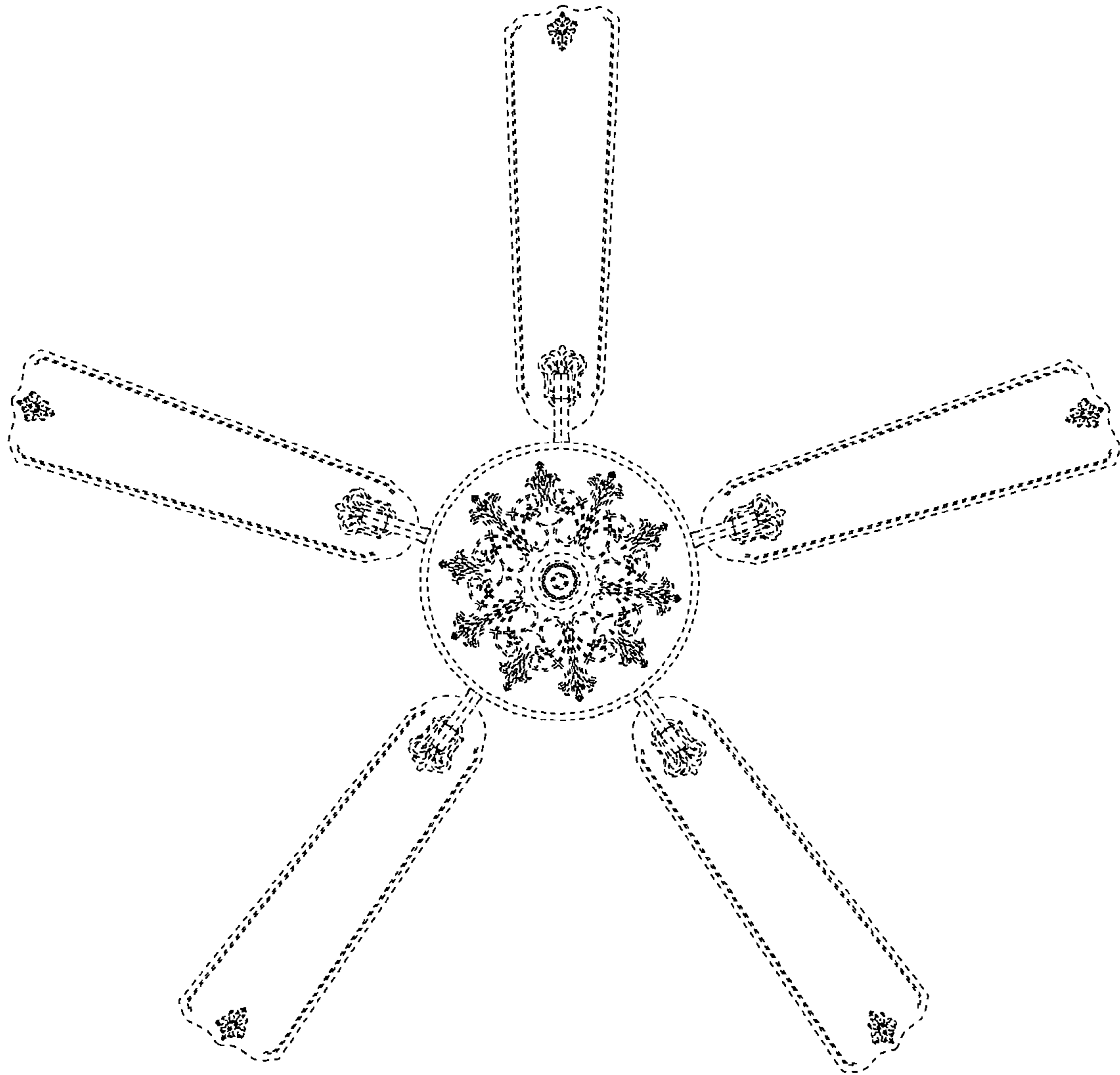


Fig. 1



*Fig.2*



*Fig.3*

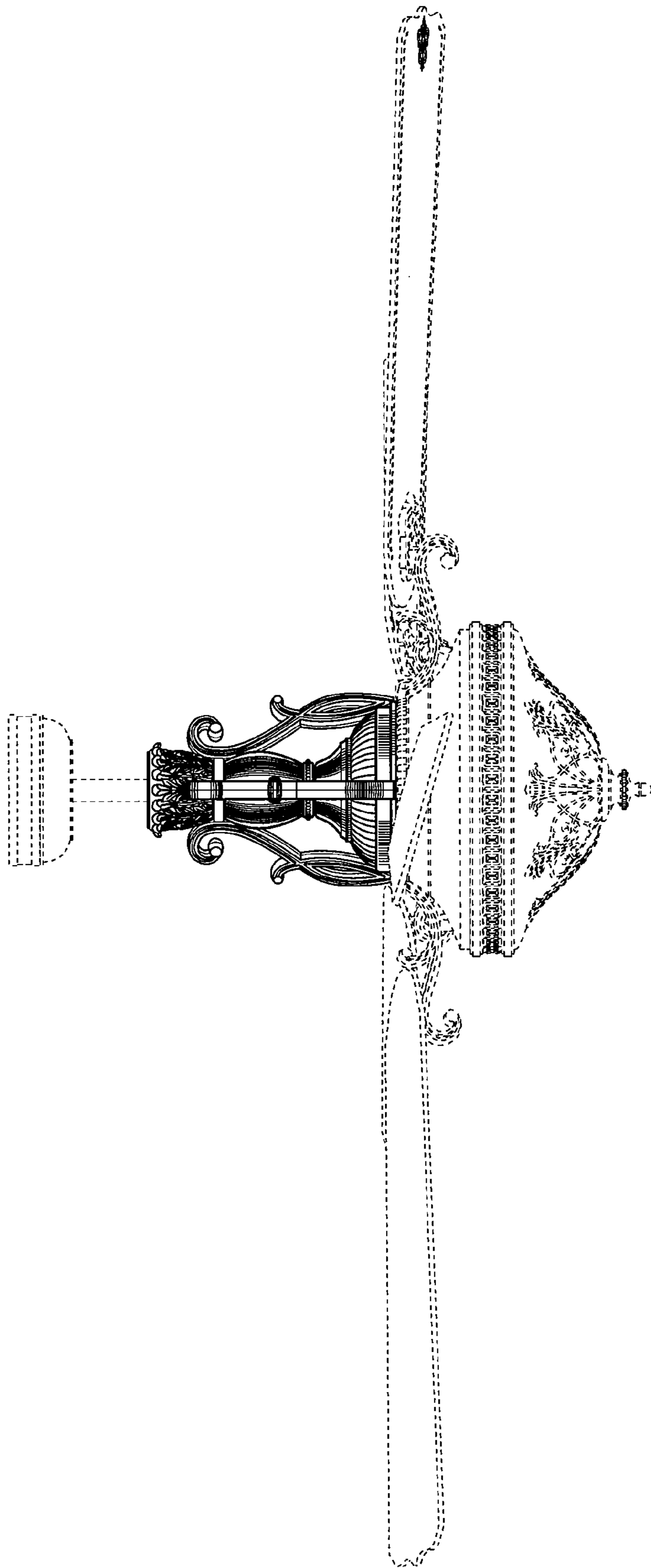


Fig. 4

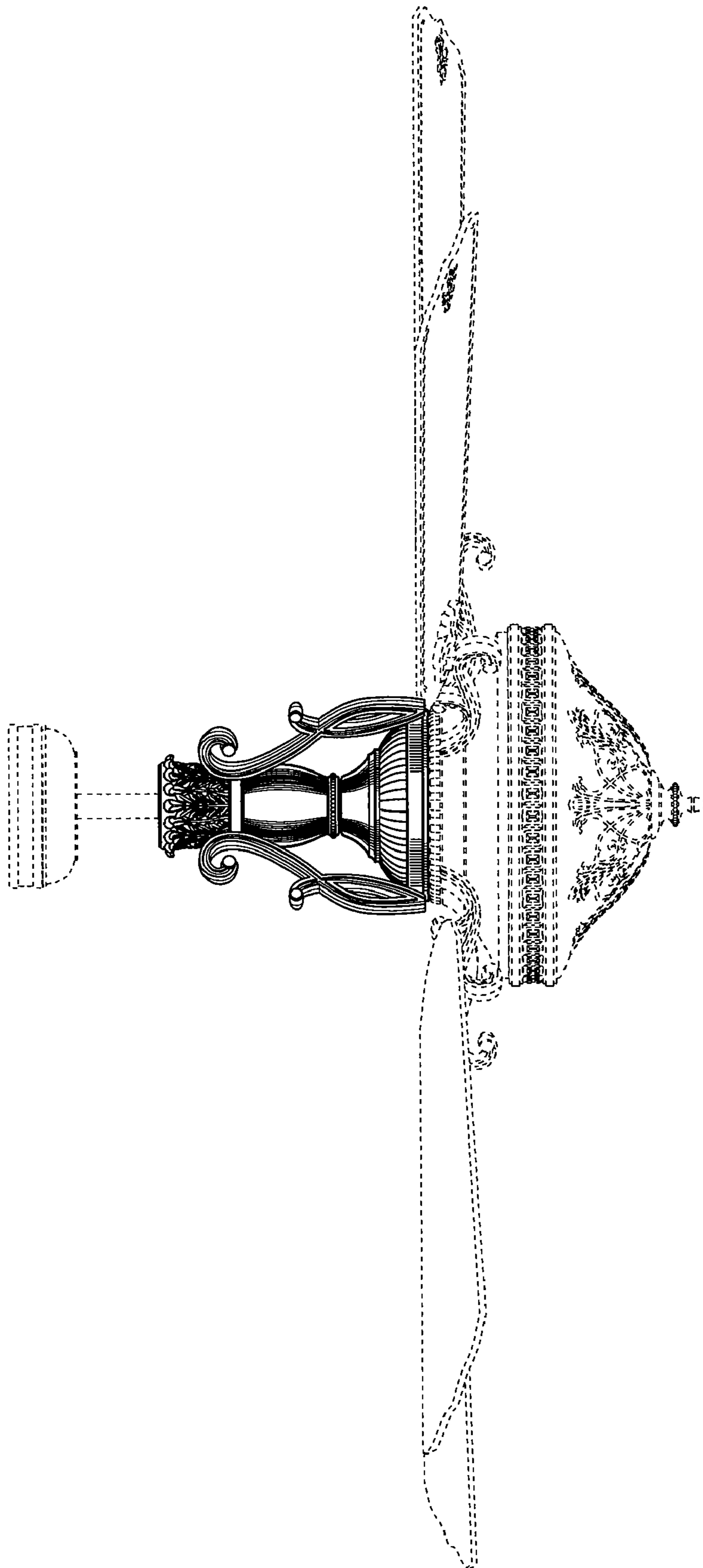


Fig.5

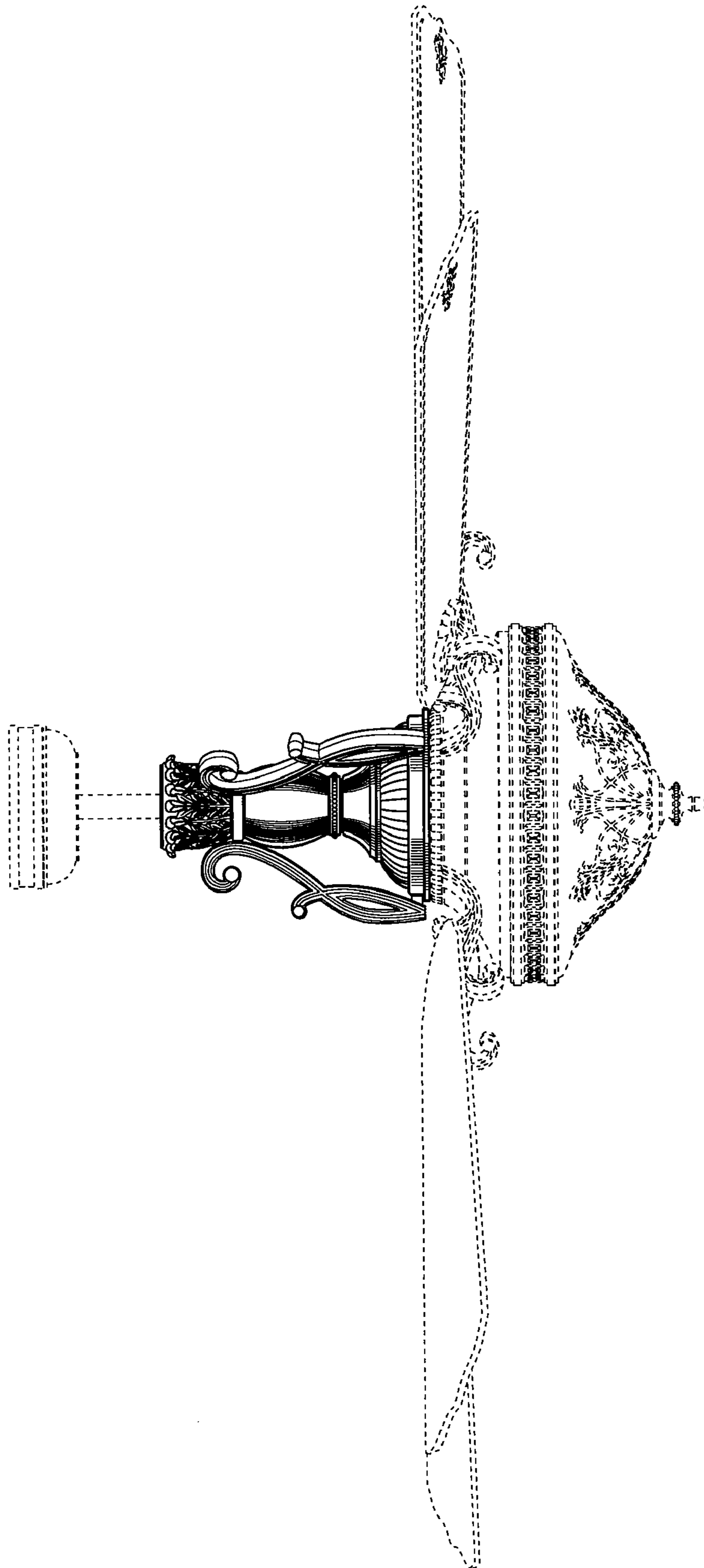


Fig.6