



US00D567347S

(12) **United States Design Patent**
Ching

(10) **Patent No.:** **US D567,347 S**

(45) **Date of Patent:** **** Apr. 22, 2008**

(54) **ELECTRIC HEATER**

(75) Inventor: **Chan Ching**, Taipei Hsien (TW)

(73) Assignee: **Perfect Union Co., Ltd.**, Taipei Hsien (TW)

(**) Term: **14 Years**

(21) Appl. No.: **29/260,820**

(22) Filed: **Jun. 2, 2006**

(51) **LOC (8) Cl.** **23-03**

(52) **U.S. Cl.** **D23/342**

(58) **Field of Classification Search** D23/317,
D23/332-342, 351, 355, 370, 378, 381, 364;
416/244 R, 247 R, 53.1, 53.2, 53.3; 392/365-369,
392/373-376

See application file for complete search history.

(56) **References Cited**

U.S. PATENT DOCUMENTS

1,910,453	A	*	5/1933	Wiegand	165/129
D311,951	S	*	11/1990	Dubin	D23/335
D353,661	S	*	12/1994	Cich et al.	D23/335
D401,315	S	*	11/1998	Boyle et al.	D23/335
D408,510	S	*	4/1999	Moreno	D23/335
D437,397	S	*	2/2001	Ching	D23/335
D464,413	S	*	10/2002	Shapiro et al.	D23/335

D469,525	S	*	1/2003	Giugiaro	D23/328
D484,961	S	*	1/2004	Giugiaro	D23/328
D499,474	S	*	12/2004	Ching	D23/335
D514,674	S	*	2/2006	Blateri	D23/335
2005/0265702	A1	*	12/2005	Birdsell et al.	392/368

* cited by examiner

Primary Examiner—Ian Simmons

Assistant Examiner—Eric L Goodman

(74) *Attorney, Agent, or Firm*—Troxell Law Office, PLLC

(57) **CLAIM**

The ornamental design for an electric heater, as shown and described.

DESCRIPTION

FIG. 1 is a top front and left side perspective view of electric heater showing my new design;

FIG. 2 is a front elevational view thereof;

FIG. 3 is a rear elevational view thereof;

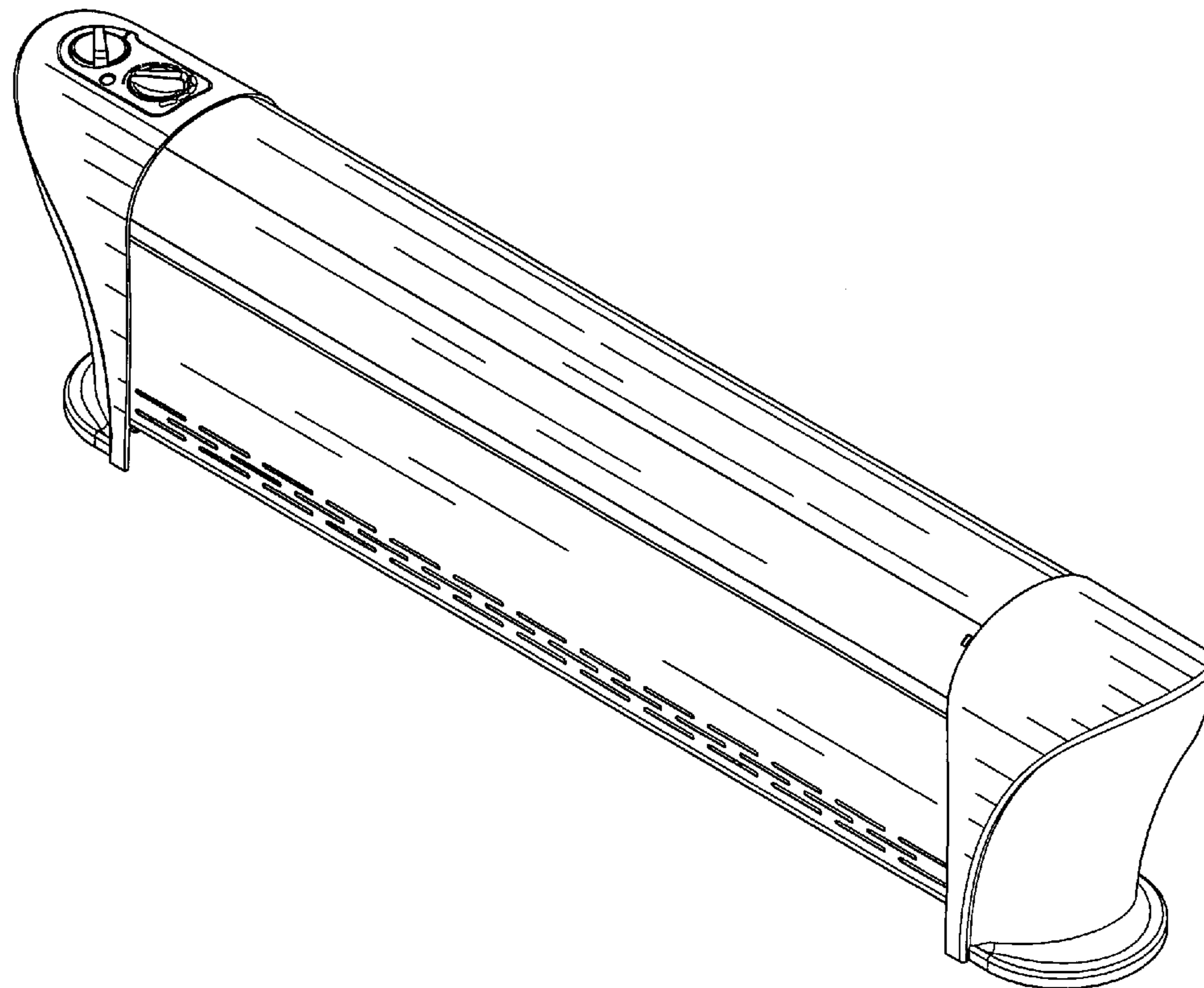
FIG. 4 is a left side elevational view thereof;

FIG. 5 is a right side elevational view thereof;

FIG. 6 is a top plan view thereof; and,

FIG. 7 is a bottom plan view thereof.

1 Claim, 4 Drawing Sheets



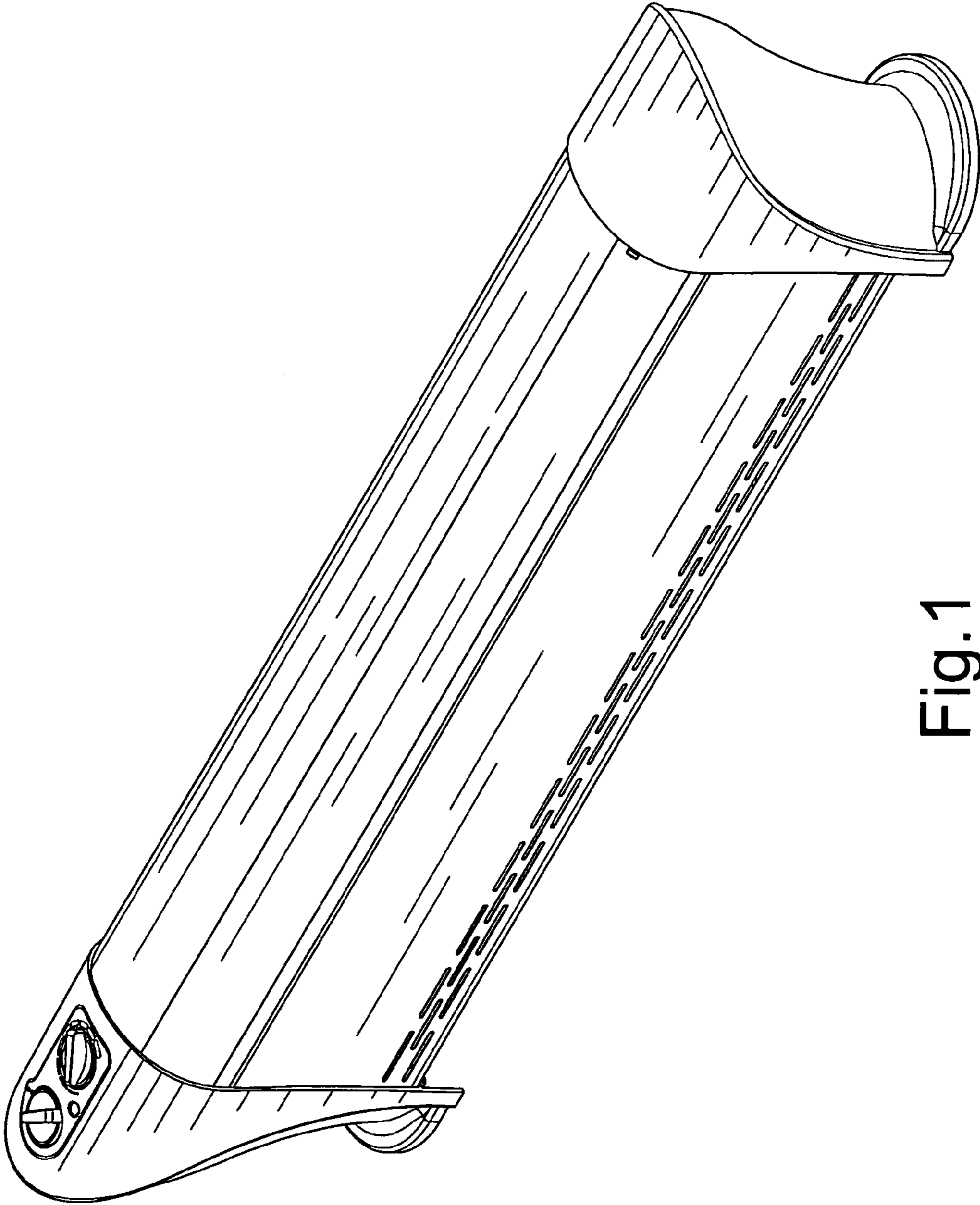


Fig. 1

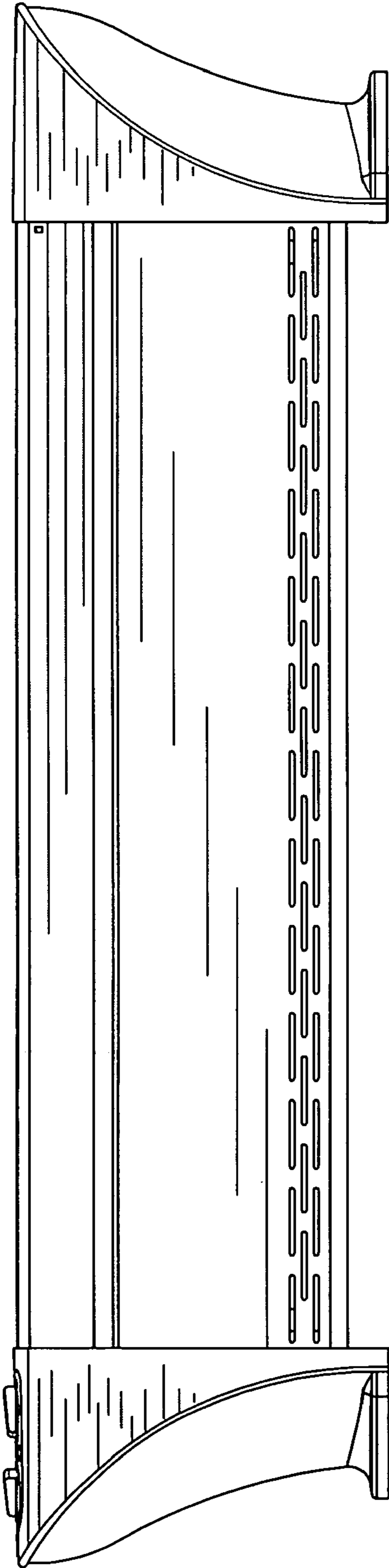


Fig. 2

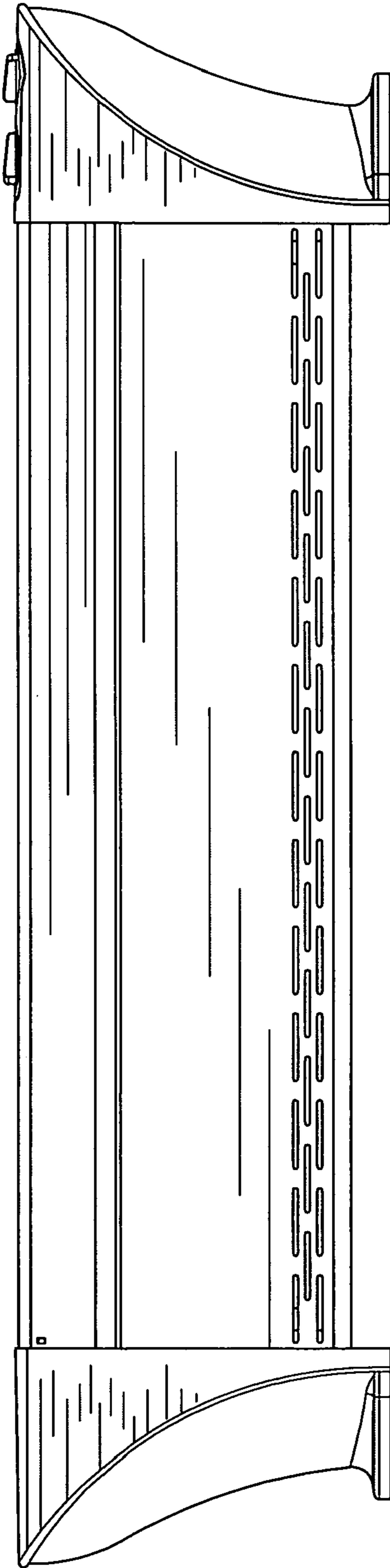


Fig. 3

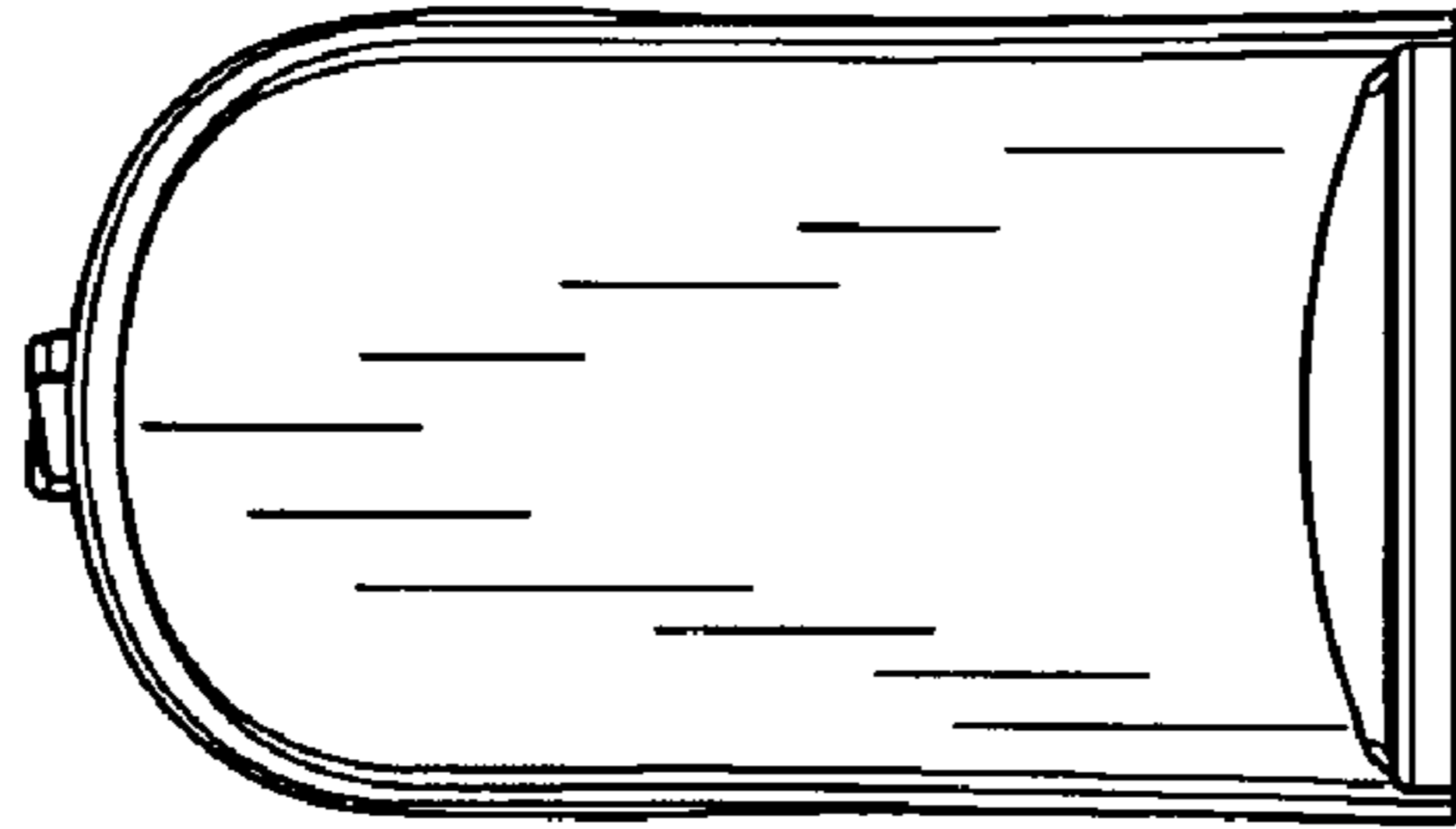


Fig. 5

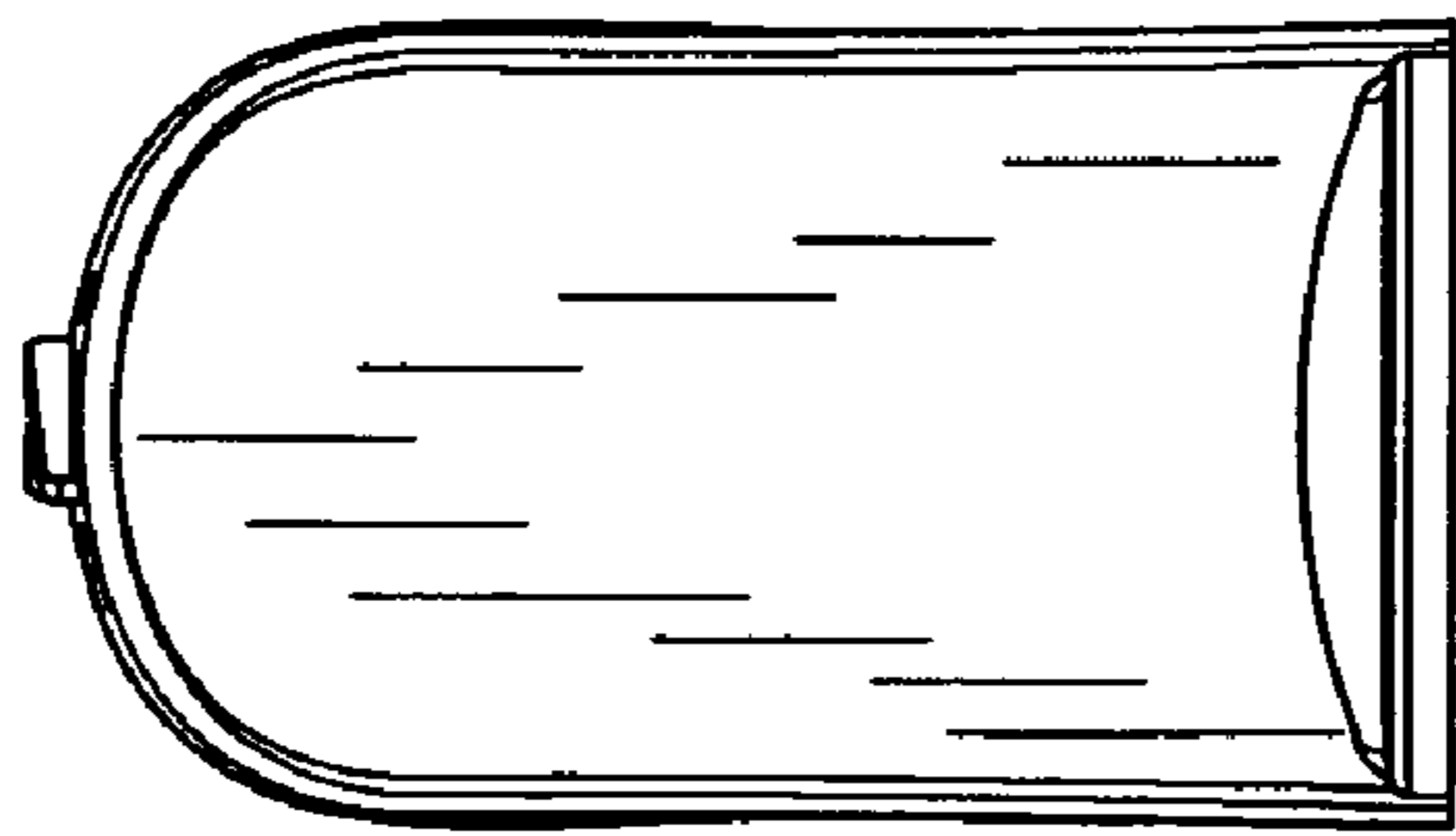


Fig. 4

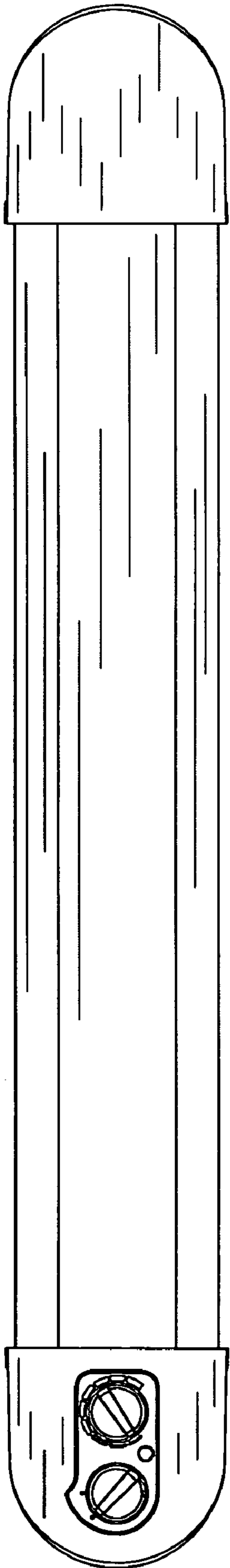


Fig. 6

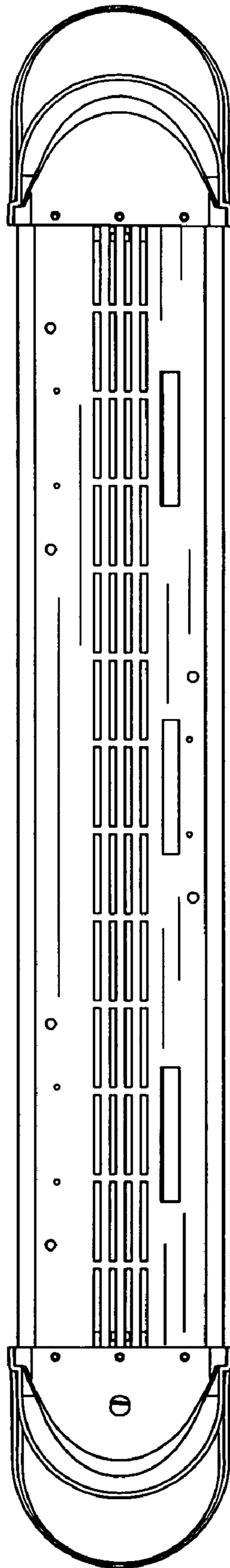


Fig. 7