



US00D567346S

(12) **United States Design Patent**  
**Lin**

(10) **Patent No.:** **US D567,346 S**

(45) **Date of Patent:** **\*\* Apr. 22, 2008**

(54) **CASING OF ELECTRIC HEATER**

(76) Inventor: **Heng-Yuan Lin**, 33 Fl., No. 293, Sec. 2, Wunhua Rd., Banciao City, Taipei Hsien (TW)

(\*\*) Term: **14 Years**

(21) Appl. No.: **29/280,343**

(22) Filed: **May 24, 2007**

(51) **LOC (8) Cl.** ..... **23-03**

(52) **U.S. Cl.** ..... **D23/317; D23/332**

(58) **Field of Classification Search** ..... D23/314, D23/332, 335-350, 378, 370, 381, 354, 351, D23/386, 333, 328, 353, 361, 385, 417, 357; 392/365, 367, 424, 383, 411, 360, 369, 373-376; 126/183, 110 B, 91 A, 92 A, 500, 544, 547; 431/125; D99/29

See application file for complete search history.

(56) **References Cited**

**U.S. PATENT DOCUMENTS**

- 1,534,571 A \* 4/1925 Conning ..... 392/367
- 1,644,595 A \* 10/1927 Karg ..... 126/67
- 1,719,872 A \* 7/1929 Calcott ..... 392/373
- 2,151,140 A \* 3/1939 Novak ..... 392/358
- 3,139,516 A \* 6/1964 Boecher ..... 392/358
- D255,486 S \* 6/1980 Bender ..... D23/355
- 4,309,594 A \* 1/1982 Jones ..... 392/356
- D270,467 S \* 9/1983 Fowler et al. .... D23/364
- D273,322 S \* 4/1984 Fleisler ..... D23/350

- D323,382 S \* 1/1992 Wang ..... D23/335
- D333,866 S \* 3/1993 Wang ..... D23/335
- 2006/0110141 A1 \* 5/2006 Burkett et al. .... 392/375

**OTHER PUBLICATIONS**

www.edenpurestore.com, retrieved on Nov. 29, 2007, 2 pages, Sun Twin 1500 elite and Eden Pure Model 500XL.\*

\* cited by examiner

*Primary Examiner*—Robert M. Spear

*Assistant Examiner*—Anna K Dworzecka

(74) *Attorney, Agent, or Firm*—Hamre, Schumann, Mueller & Larson, P.C.

(57) **CLAIM**

The ornamental design for a casing of electric heater, as shown and described.

**DESCRIPTION**

FIG. 1 is a perspective view of a casing of electric heater showing my new design;

FIG. 2 is a front view thereof;

FIG. 3 is a rear view thereof;

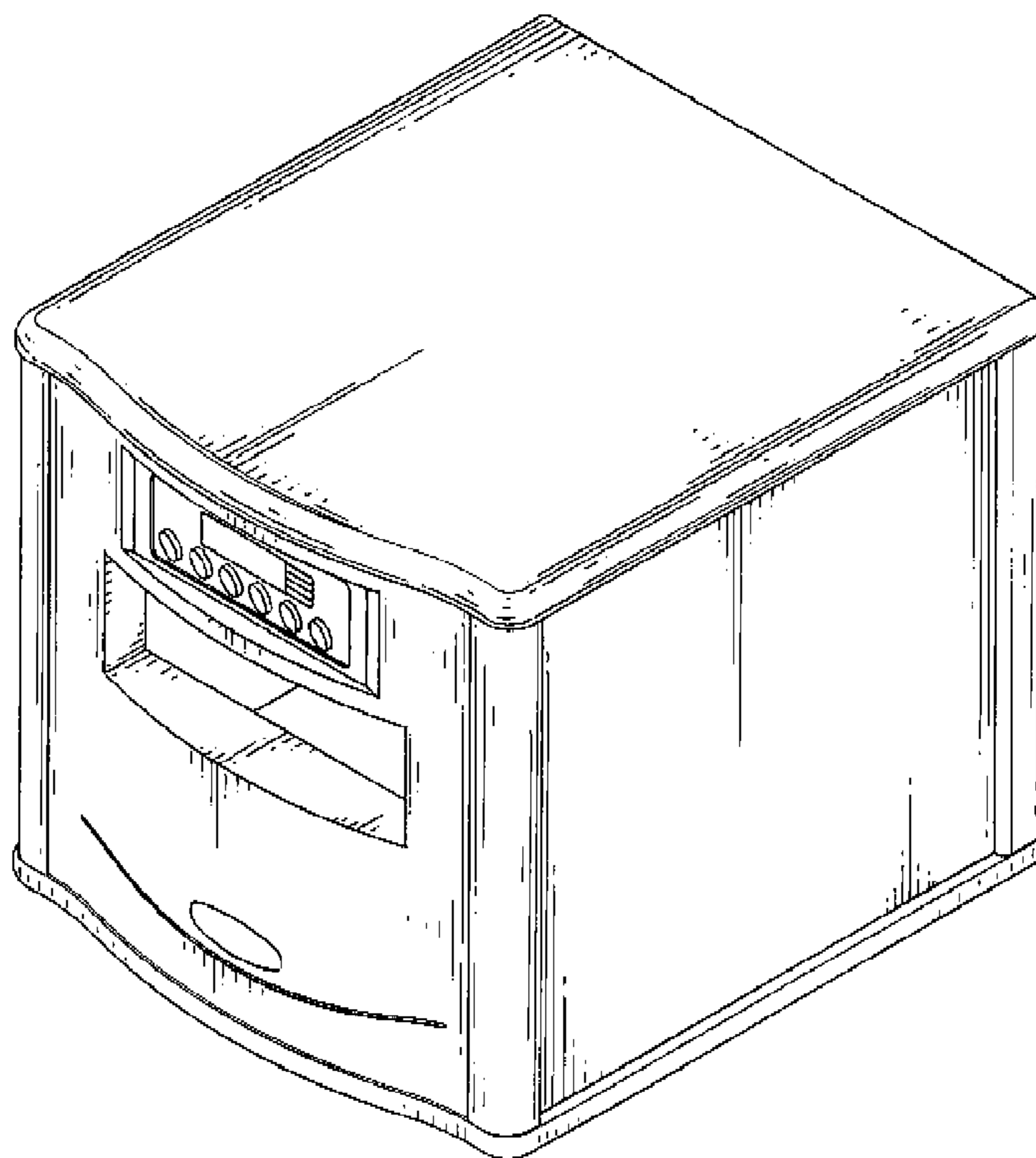
FIG. 4 is a left view thereof;

FIG. 5 is a right view thereof;

FIG. 6 is a top view thereof; and,

FIG. 7 is a bottom view thereof.

**1 Claim, 4 Drawing Sheets**



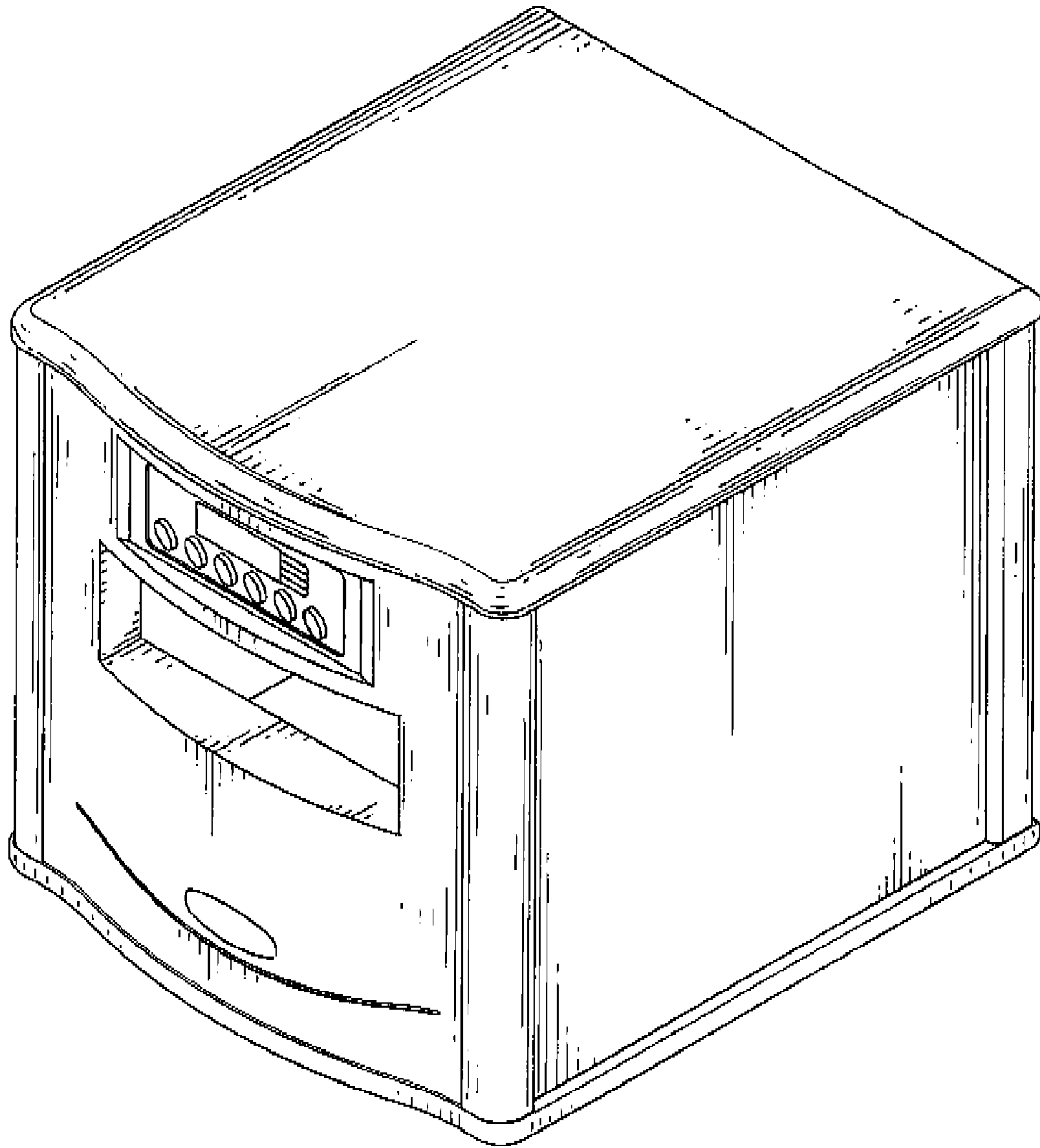


FIG. 1

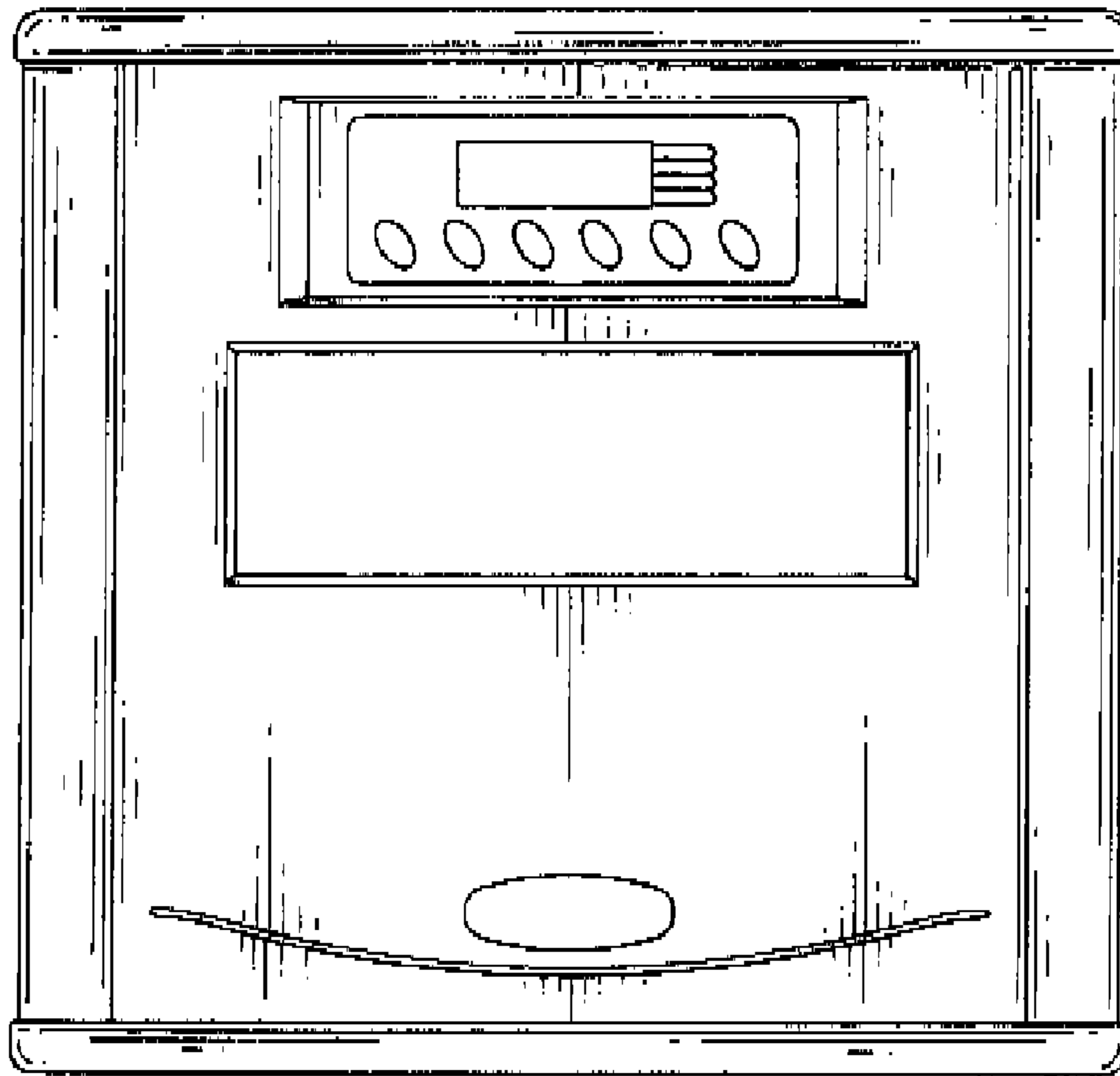


FIG.2

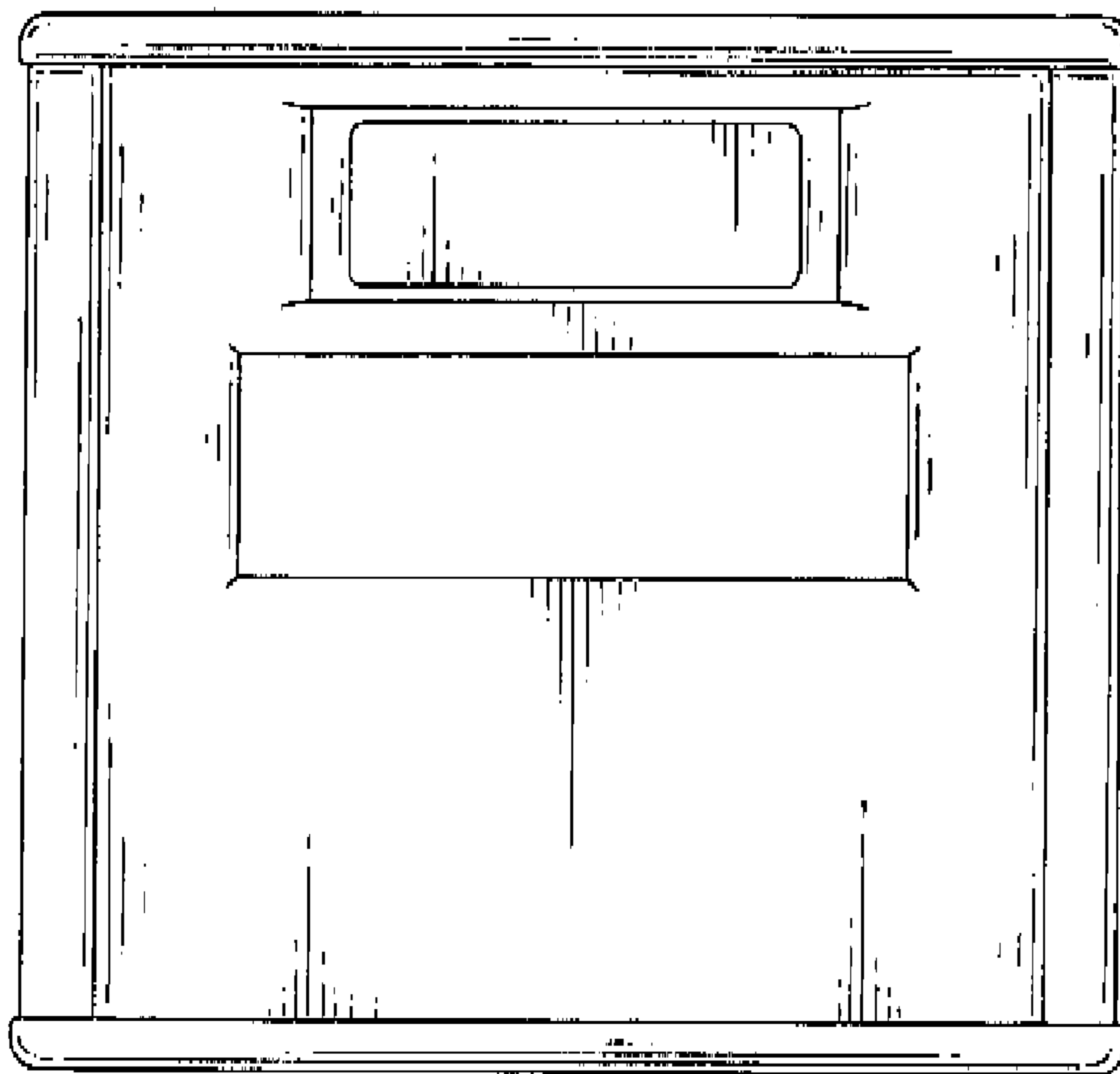


FIG.3

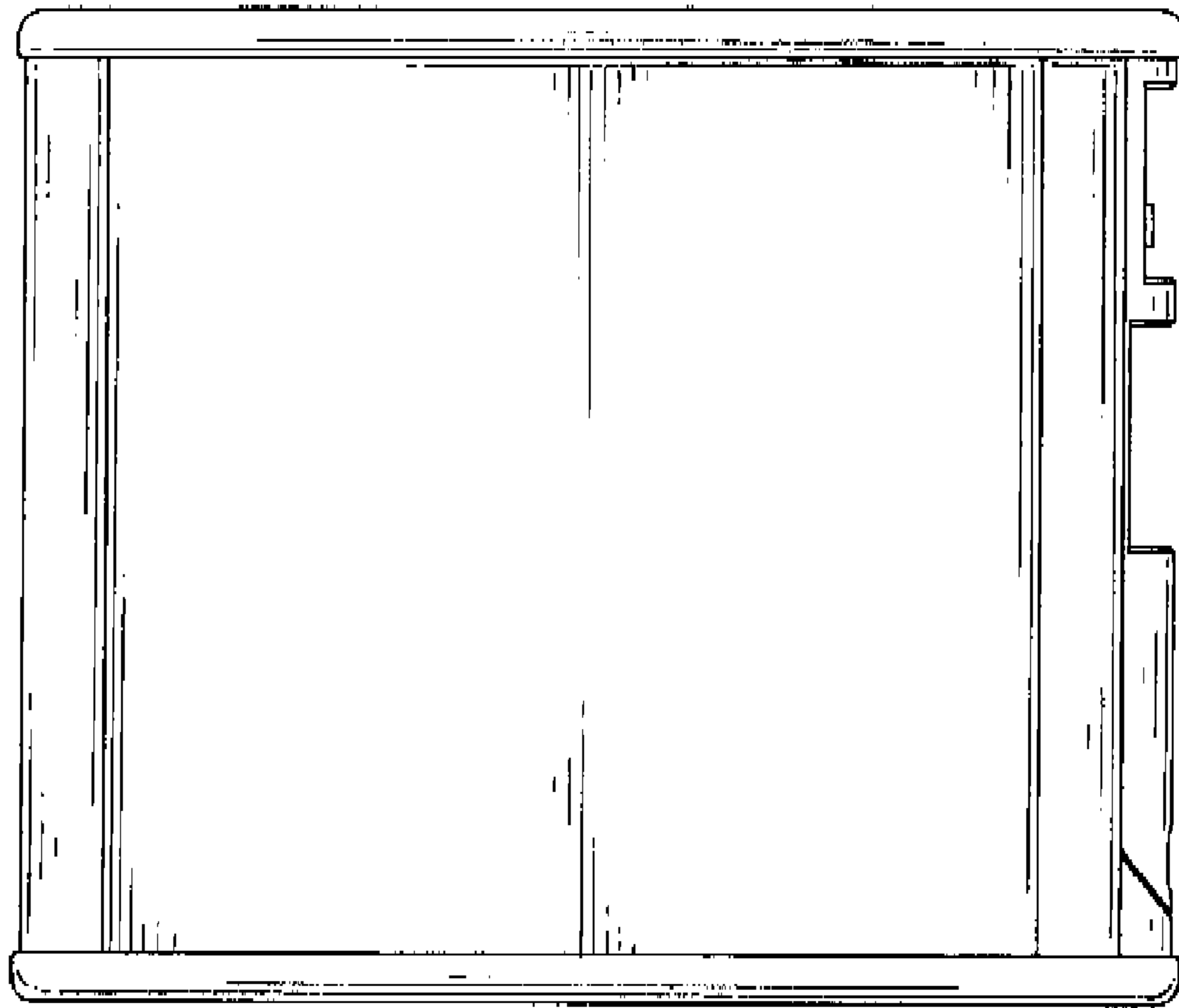


FIG. 4

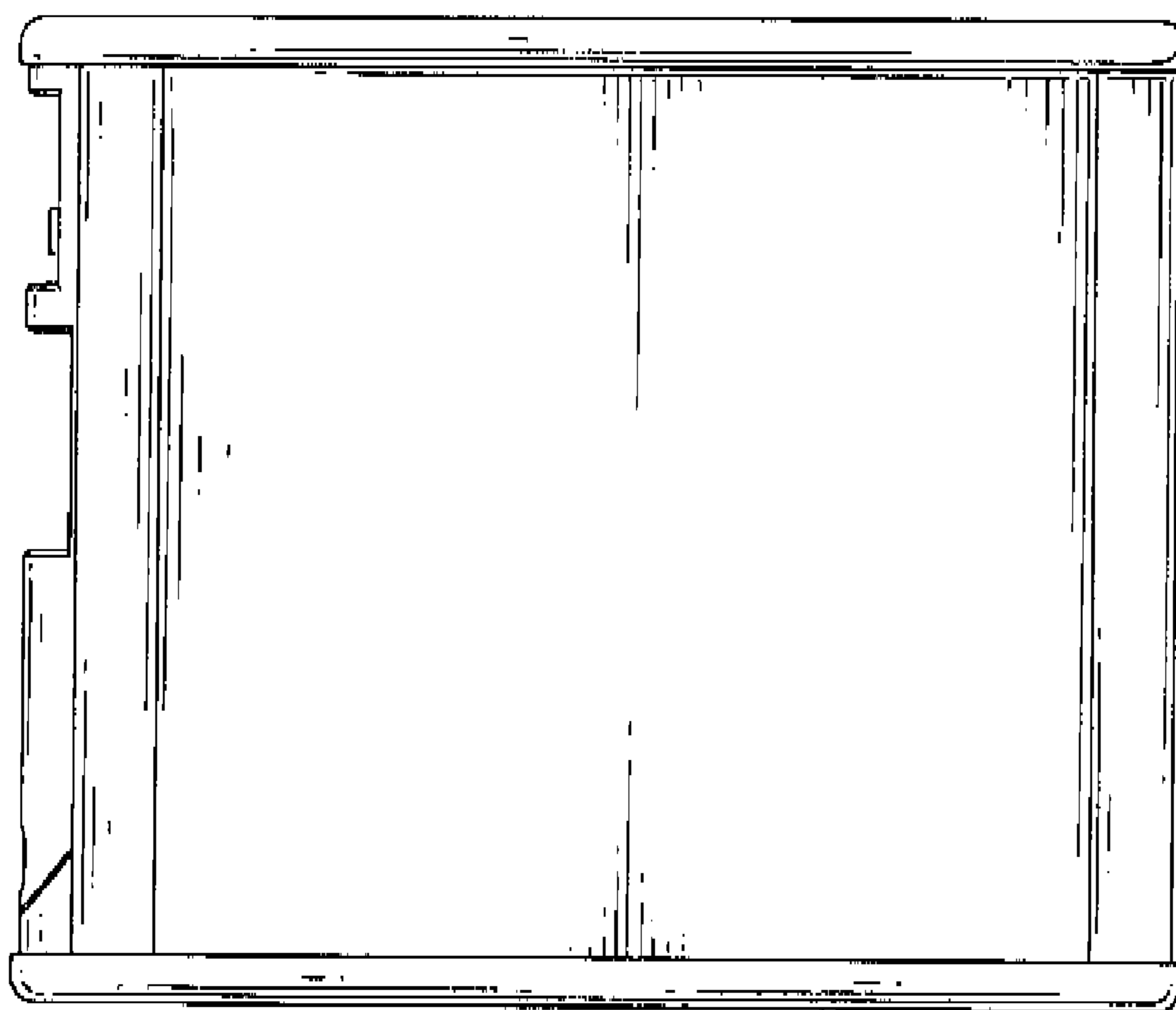


FIG. 5

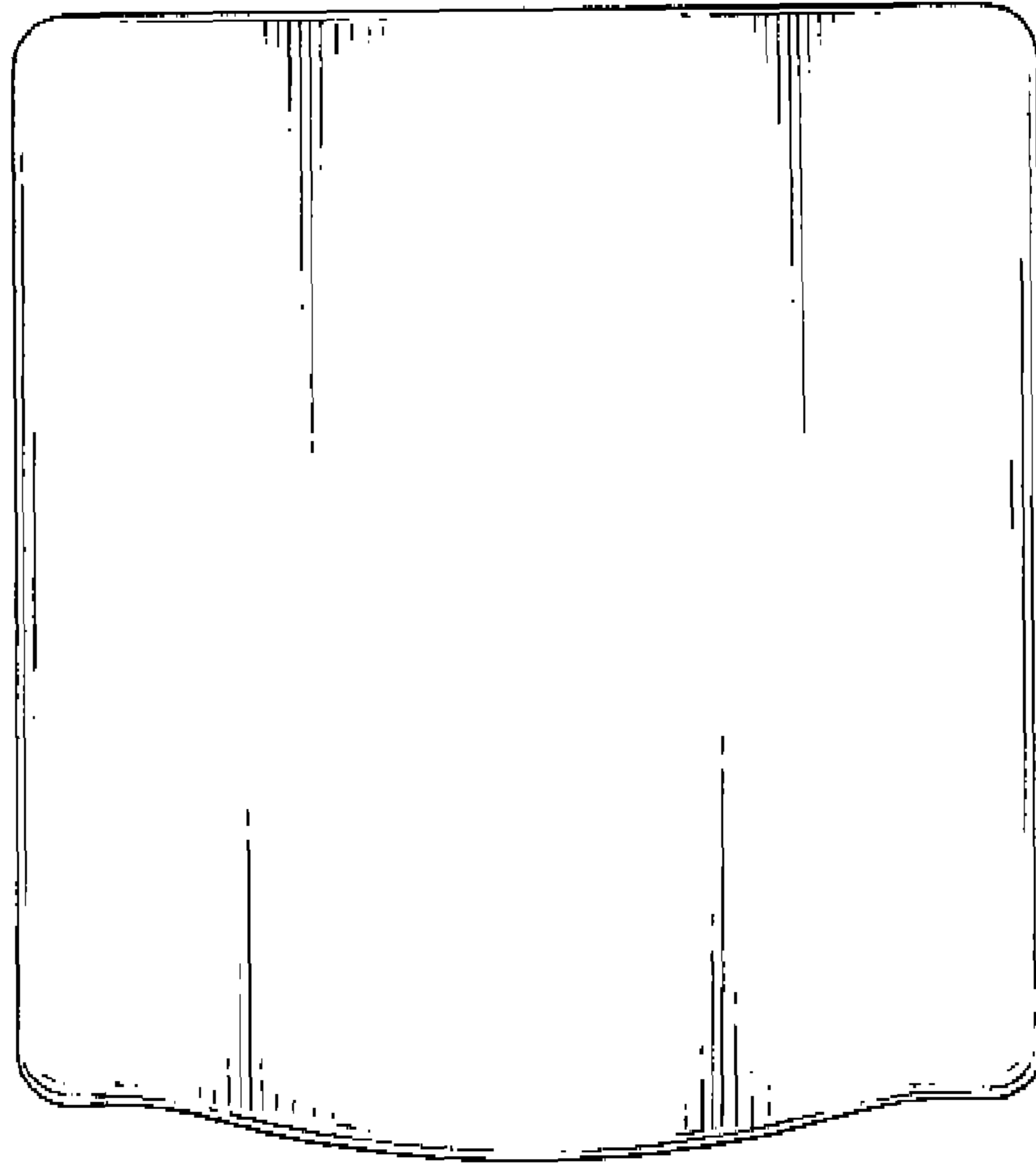


FIG. 6

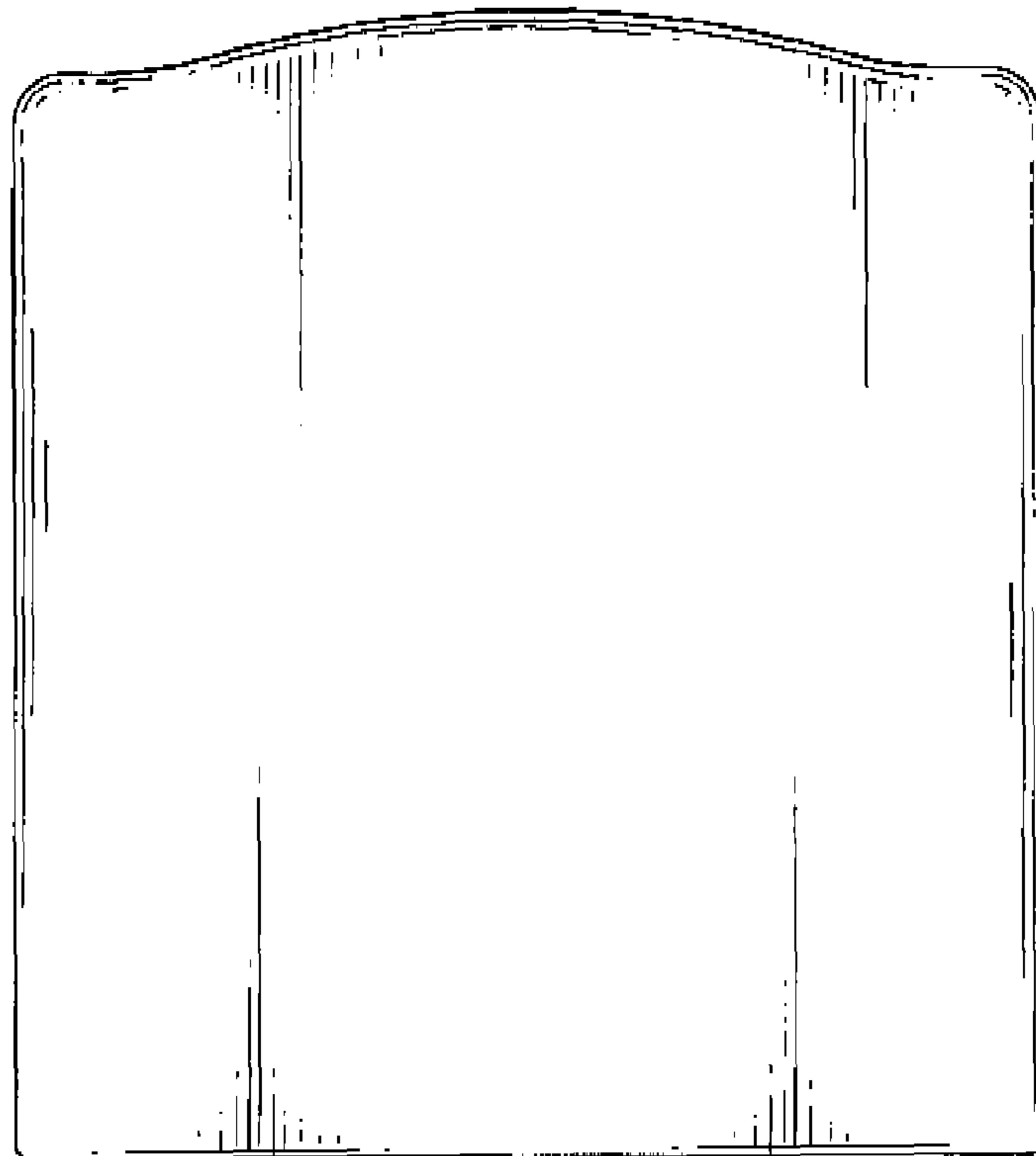


FIG. 7