



US00D567342S

(12) **United States Design Patent**
Van Doorn

(10) **Patent No.:** **US D567,342 S**
(45) **Date of Patent:** **** Apr. 22, 2008**

(54) **SHOWER SCREEN DOOR MODULE**
(76) Inventor: **Peter Van Doorn**, 41-43 Church Street,
Hawthorn, Victoria (AU) 3122
(**) Term: **14 Years**
(21) Appl. No.: **29/289,095**
(22) Filed: **Jul. 6, 2007**
(30) **Foreign Application Priority Data**
Jan. 8, 2007 (AU) 15866/2007

AU	106136	11/1989
AU	106342	12/1989
AU	106343	12/1989
AU	107617	5/1990
AU	107955	6/1990
AU	111618	8/1991
AU	111619	8/1991
AU	111620	8/1991
AU	112334	10/1991
AU	112335	10/1991
AU	114491	7/1992
AU	114494	7/1992
AU	124171	7/1995
AU	124172	7/1995

(51) **LOC (8) Cl.** **23-02**
(52) **U.S. Cl.** **D23/283**
(58) **Field of Classification Search** D23/271,
D23/273, 275, 283, 303-306; 4/546, 552,
4/596-597, 612-614; D24/202-203
See application file for complete search history.

* cited by examiner

Primary Examiner—Robert A. Delehanty
(74) *Attorney, Agent, or Firm*—James Creighton Wray;
Clifford D. Hyra

(56) **References Cited**

(57) **CLAIM**

The design for the shower screen door module, as shown and described.

U.S. PATENT DOCUMENTS

DESCRIPTION

D321,755 S * 11/1991 Poulson et al. D23/305
6,148,451 A * 11/2000 DeBaal et al. 4/607
D498,834 S * 11/2004 Rooke et al. D23/304
D523,124 S * 6/2006 Lebrun et al. D23/283
D544,585 S * 6/2007 Lebrun et al. D23/283

FIG. 1 is a front perspective view of the shower screen door module.

FIG. 2 is a front perspective view of the shower screen door module with both doors shown partly open.

FIG. 3 is a front view of the shower screen door module.

FIG. 4 is a detailed section through line A 4-4 of FIG. 3.

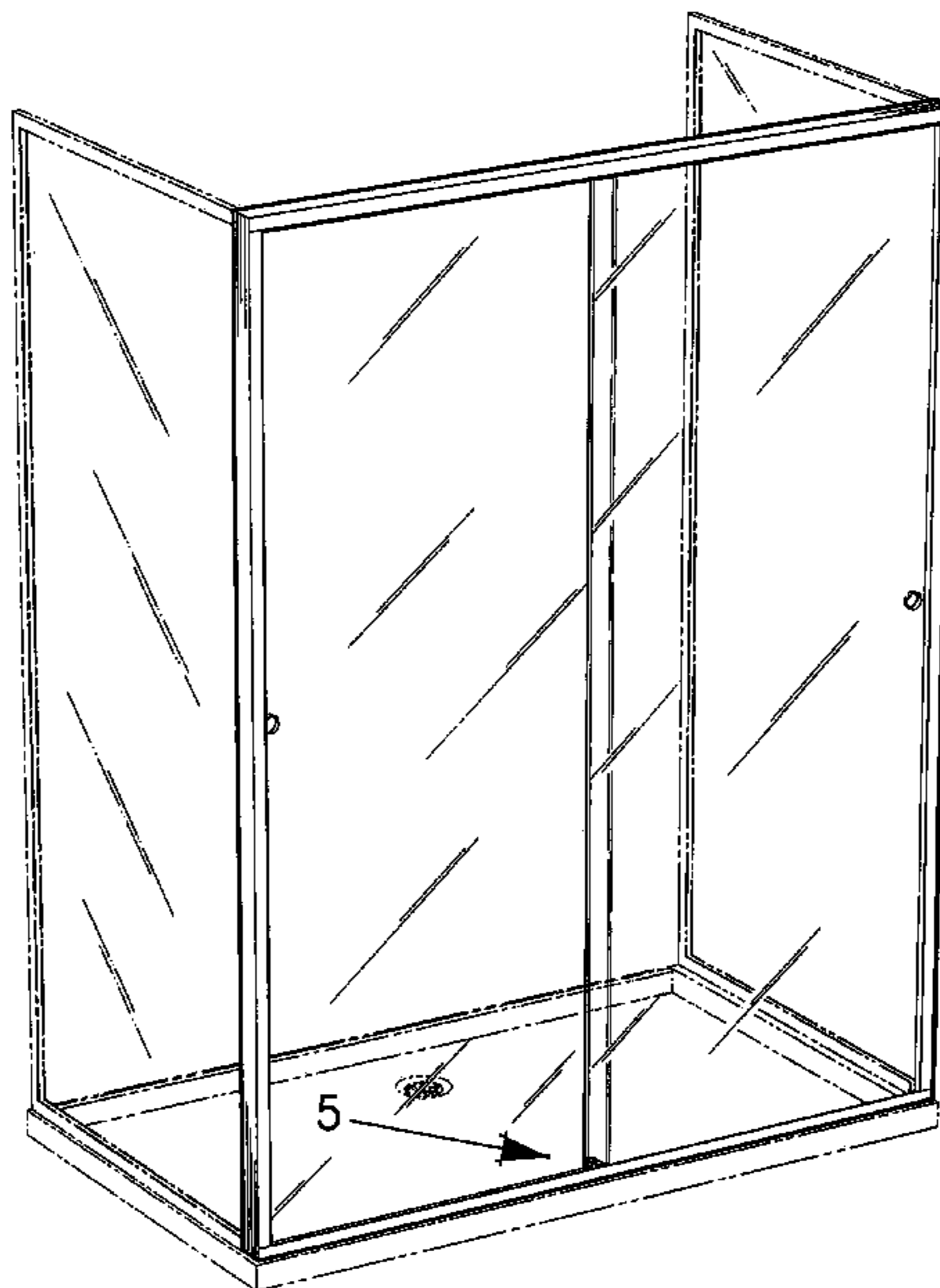
FIG. 5 is a detailed view of the portion indicated by arrow 5 in FIG. 1; and,

FIG. 6 is a plan view of the shower screen door module.

FOREIGN PATENT DOCUMENTS

AU	102543	1/1989
AU	103018	2/1989
AU	103973	6/1989
AU	103974	6/1989
AU	104180	6/1989
AU	106102	11/1989
AU	106103	11/1989
AU	106106	11/1989
AU	106135	11/1989

1 Claim, 4 Drawing Sheets



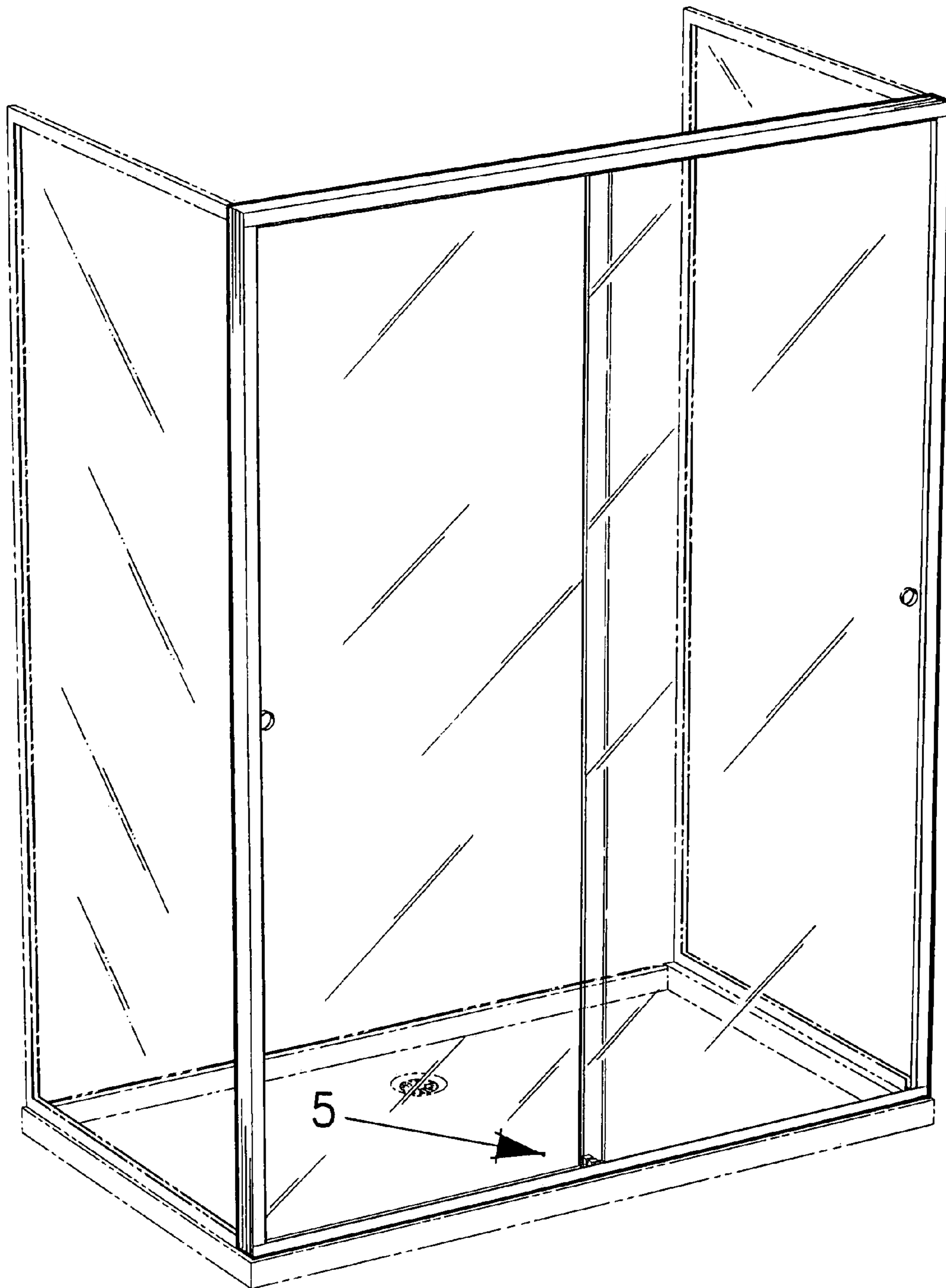


FIG. 1

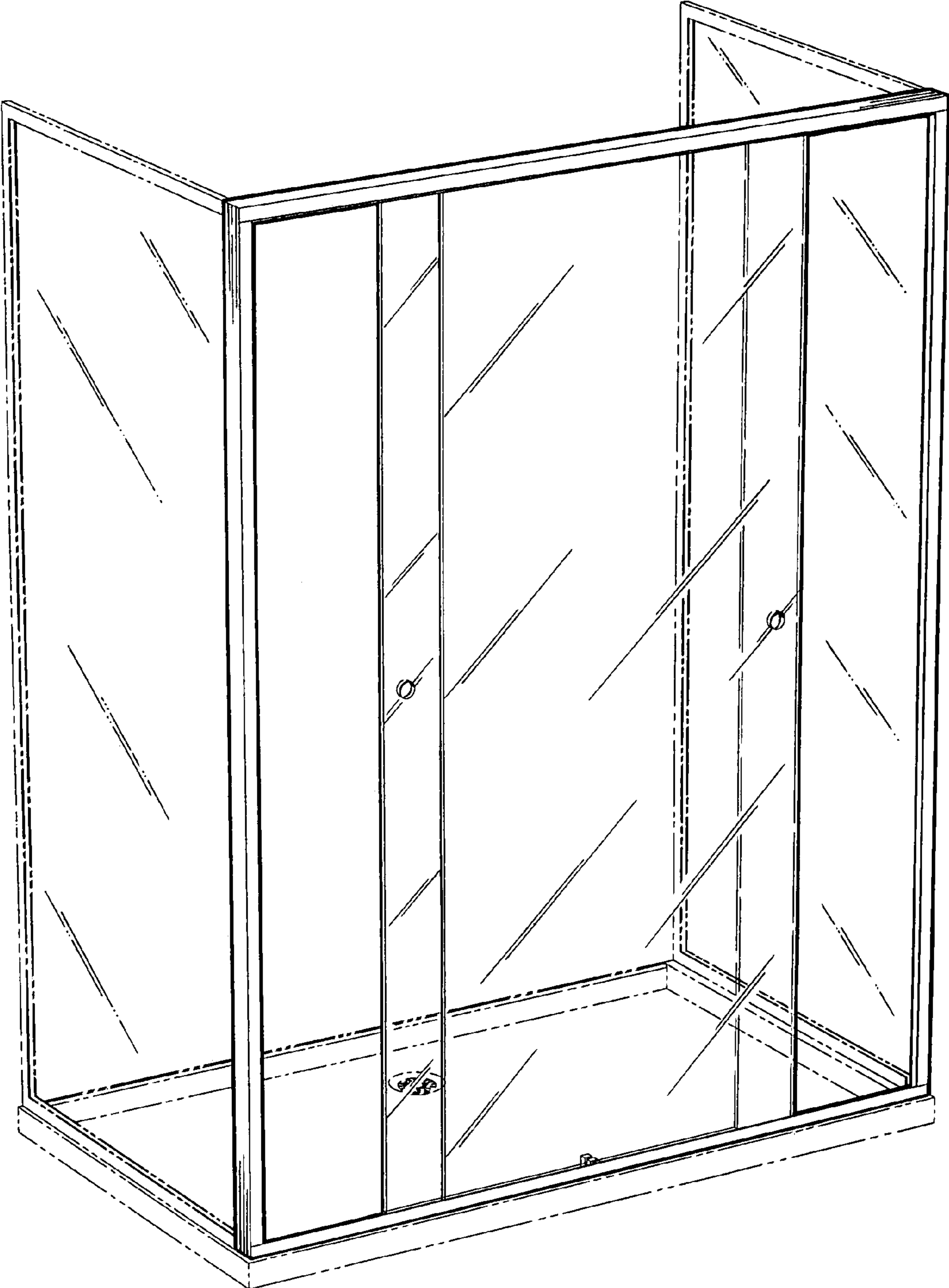


FIG. 2

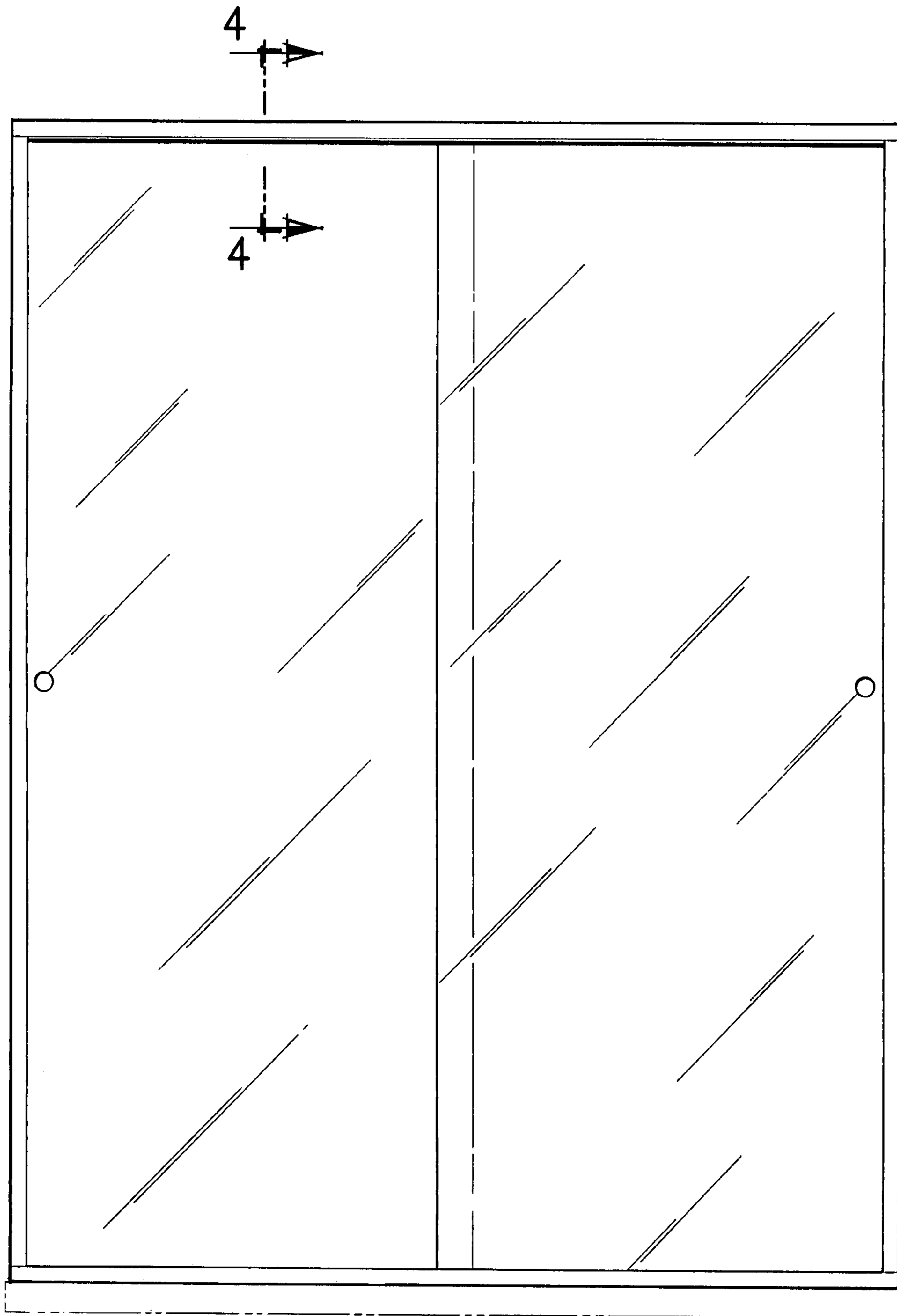


FIG. 3

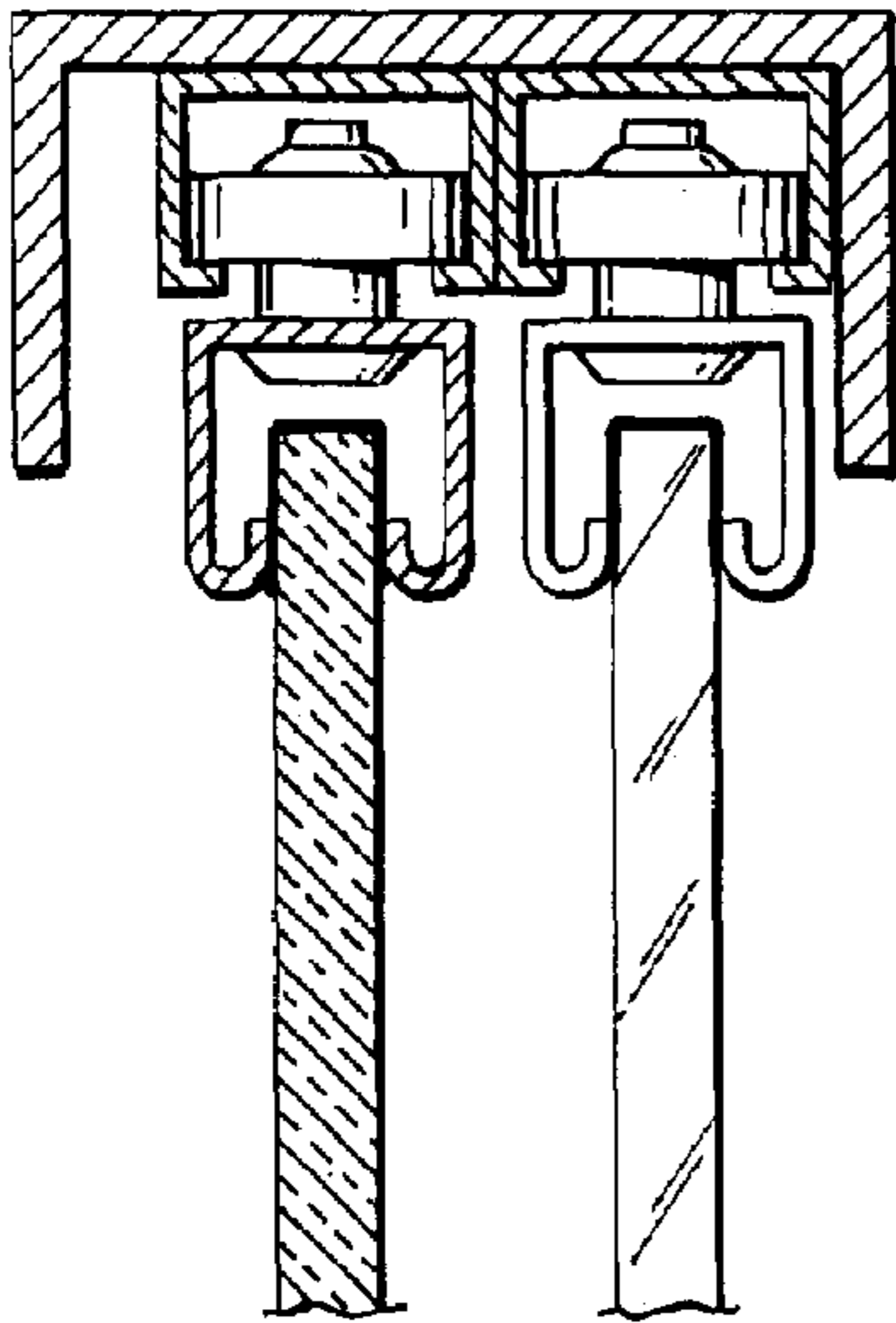


FIG. 4

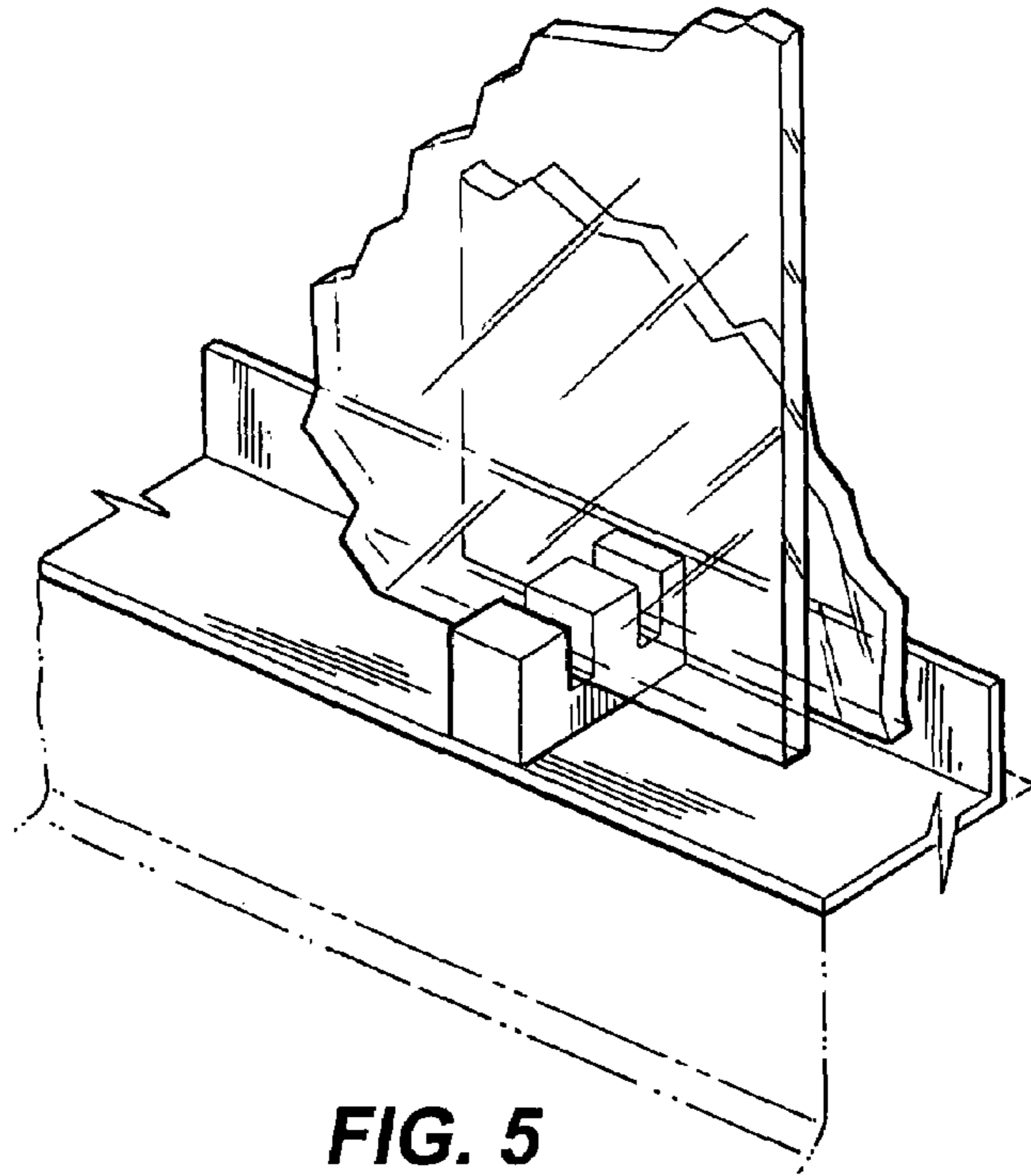


FIG. 5

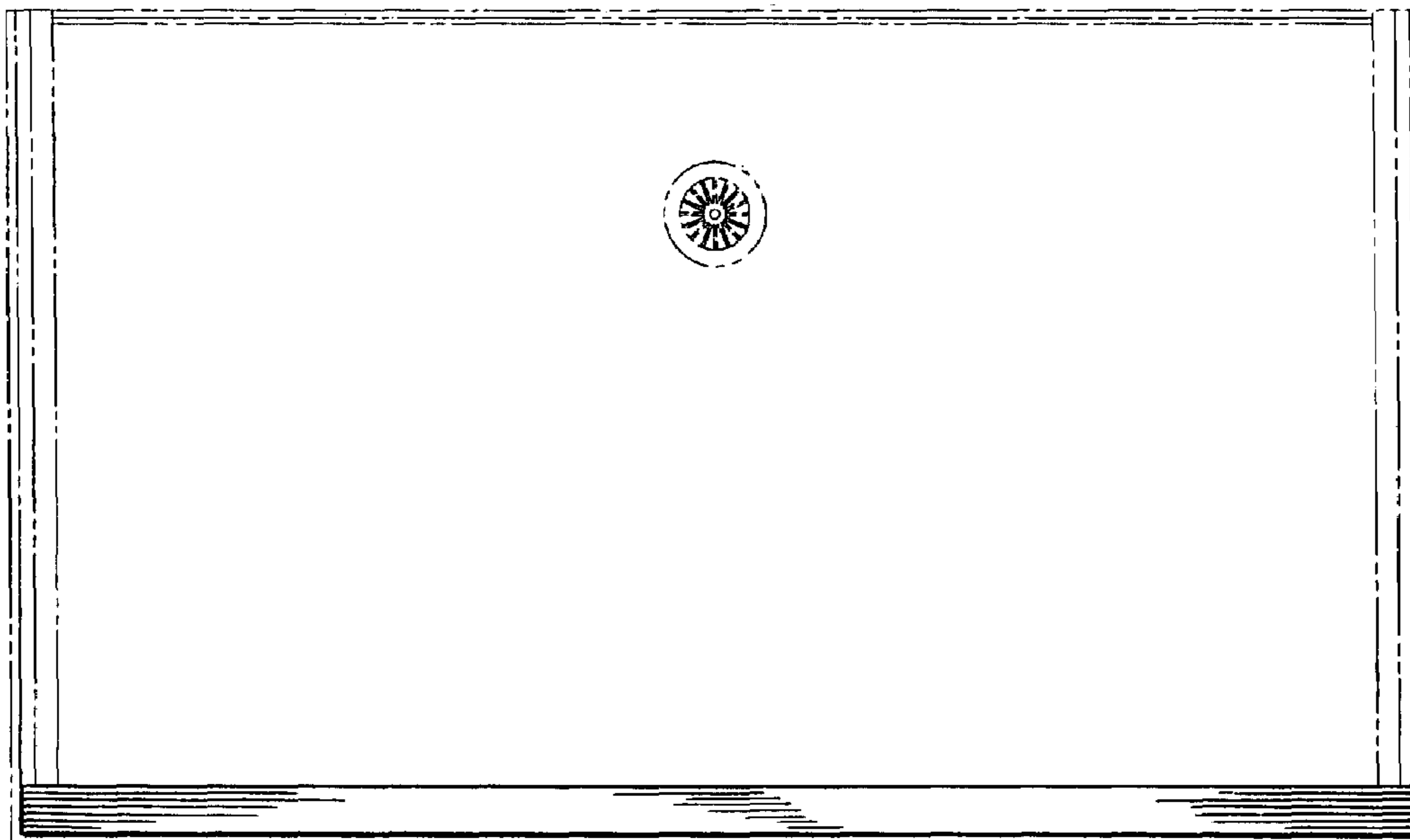


FIG. 6