



US00D567341S

(12) **United States Design Patent**
Vargas

(10) **Patent No.:** **US D567,341 S**

(45) **Date of Patent:** **** Apr. 22, 2008**

(54) **GUTTER OUTLET**

(75) Inventor: **Christopher E. Vargas**, Elk Grove, CA (US)

(73) Assignee: **Able Two Gutter**, Elk Grove, CA (US)

(**) Term: **14 Years**

(21) Appl. No.: **29/235,264**

(22) Filed: **Jul. 29, 2005**

(51) **LOC (8) Cl.** **23-01**

(52) **U.S. Cl.** **D23/267**

(58) **Field of Classification Search** D23/261,
D23/267; 52/11-13, 16, 169.5, 302.1, 302.3;
210/162, 446, 451, 474, 477; 248/48.1; D25/119
See application file for complete search history.

(56) **References Cited**

U.S. PATENT DOCUMENTS

617,658	A *	1/1899	Schwone et al.	52/16
3,703,194	A *	11/1972	Giordano	138/109
4,619,554	A *	10/1986	Walker et al.	405/120
5,522,427	A *	6/1996	Johnson	137/616.5
5,867,943	A *	2/1999	Thomas	52/11
5,985,158	A *	11/1999	Tiderington	210/767
6,125,593	A *	10/2000	Randolph et al.	52/16
6,497,816	B2 *	12/2002	Naddy	210/162
2005/0109693	A1 *	5/2005	Allard	210/446
2006/0230688	A1 *	10/2006	Carr	52/16

* cited by examiner

Primary Examiner—Ian Simmons

Assistant Examiner—Eric L Goodman

(74) *Attorney, Agent, or Firm*—Chernoff, Vilhauer, McClung & Stenzel, LLP

(57) **CLAIM**

The ornamental design for a gutter outlet, as shown and described.

DESCRIPTION

FIG. 1 is a perspective view, looking from the top, of a gutter outlet showing my new design;

FIG. 2 is a top plan view thereof;

FIG. 3 is a first side elevational view thereof, the opposite side elevational view being a mirror image thereof;

FIG. 4 is a bottom plan view thereof;

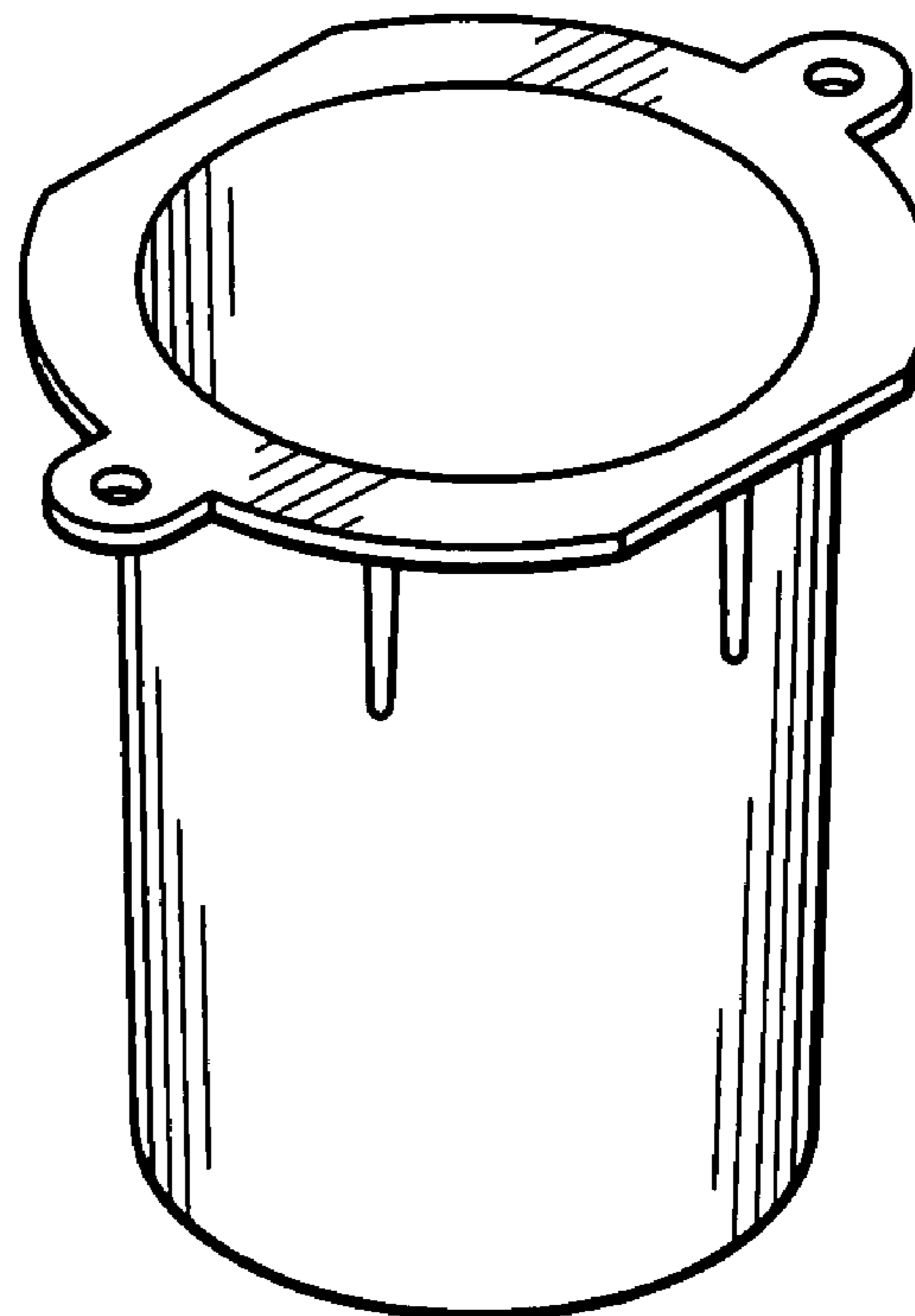
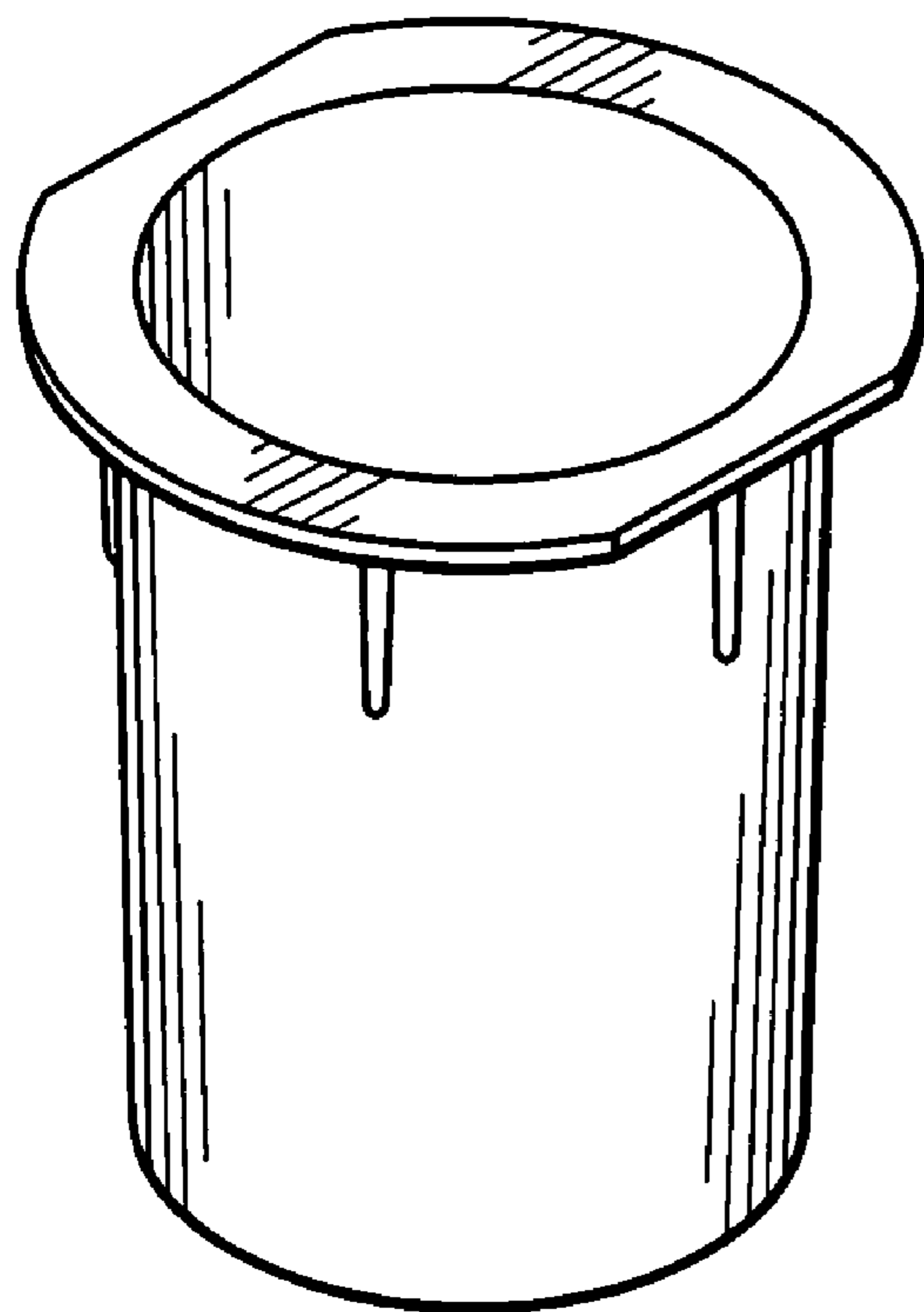
FIG. 5 is a perspective view, looking from the top, of a second embodiment of a gutter outlet showing my new design;

FIG. 6 is a top plan view thereof;

FIG. 7 is a first side elevational view thereof, the opposite side elevational view being a mirror image thereof; and,

FIG. 8 is a bottom plan view thereof.

1 Claim, 2 Drawing Sheets



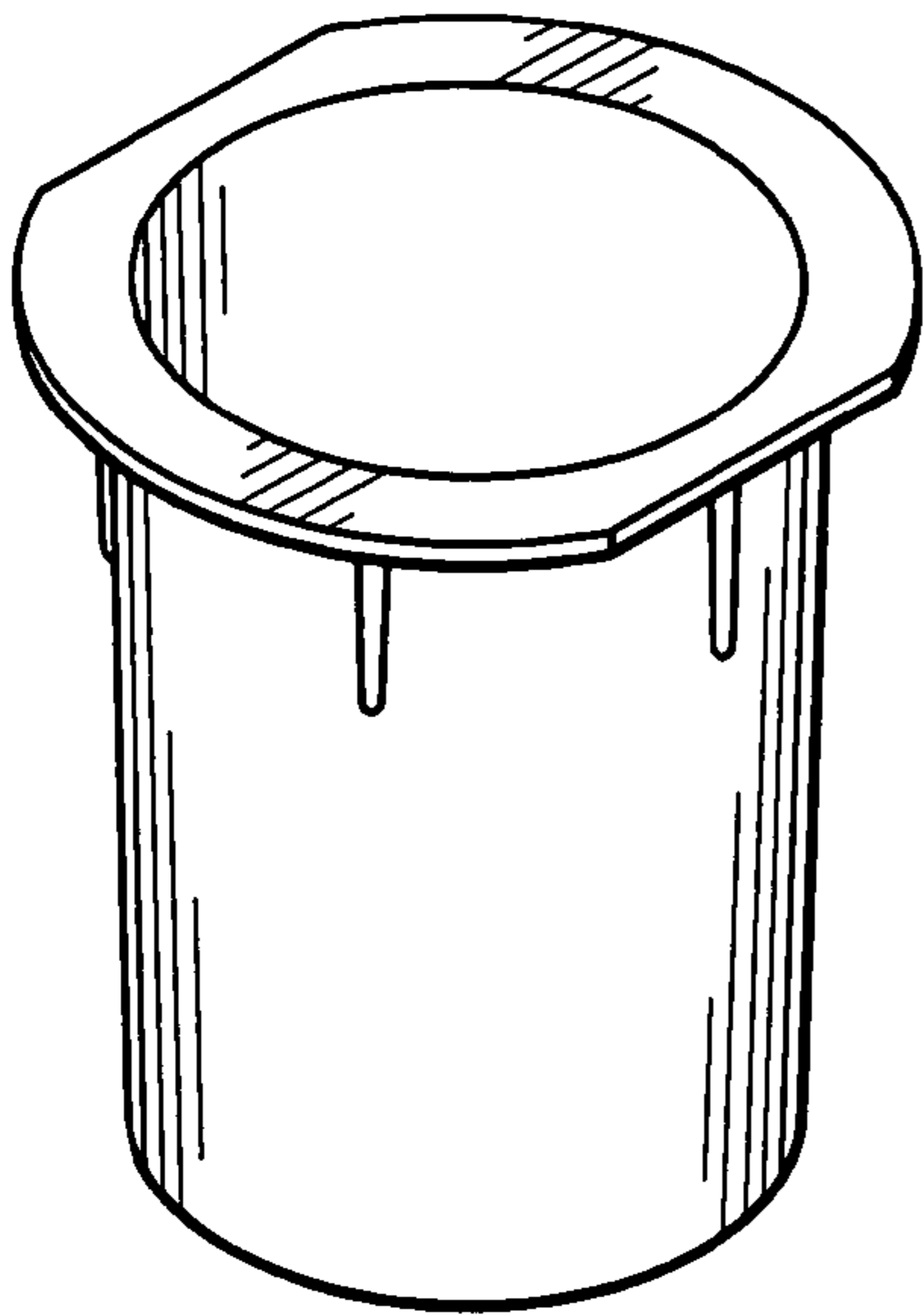


FIG.1

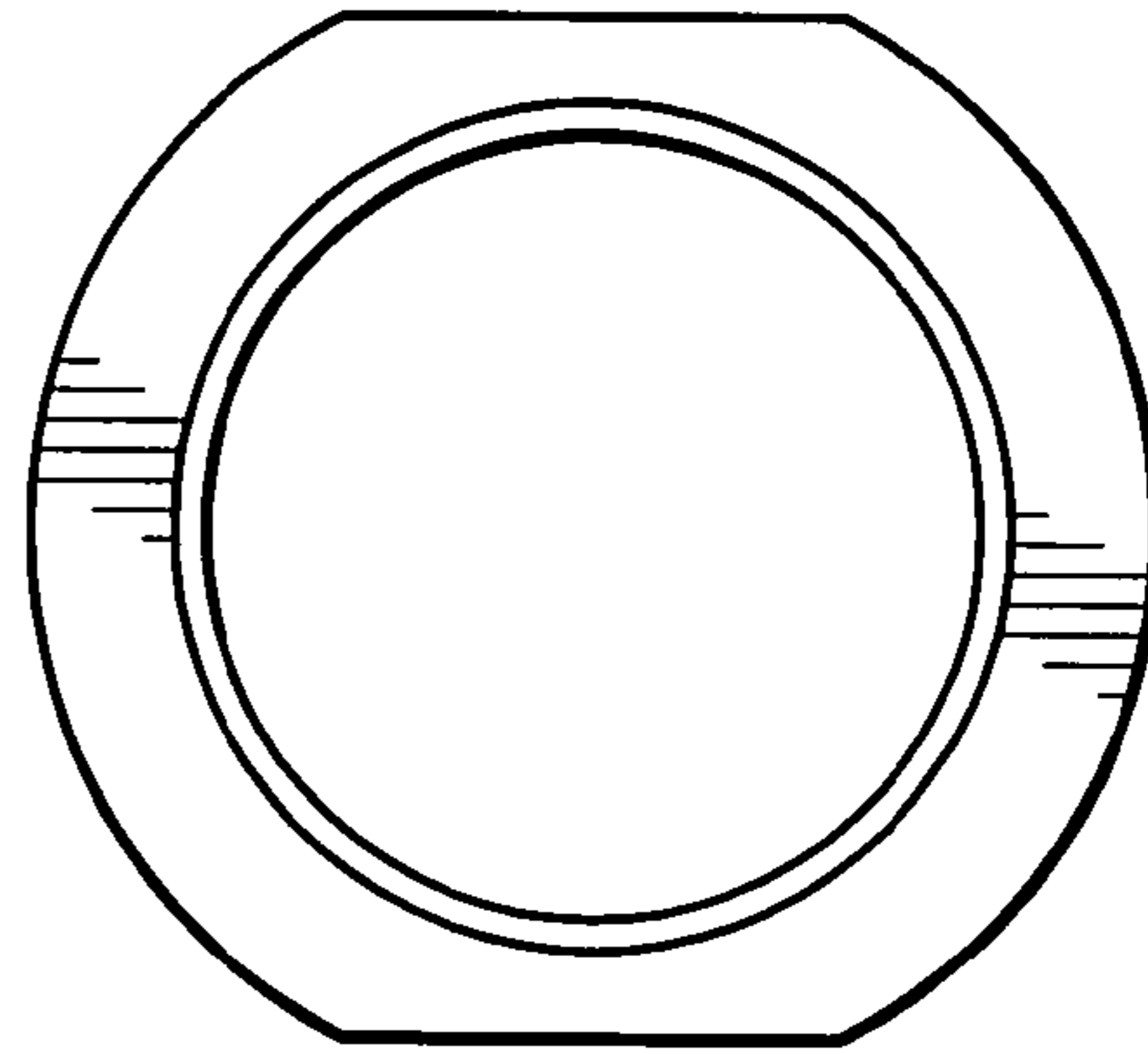


FIG.2

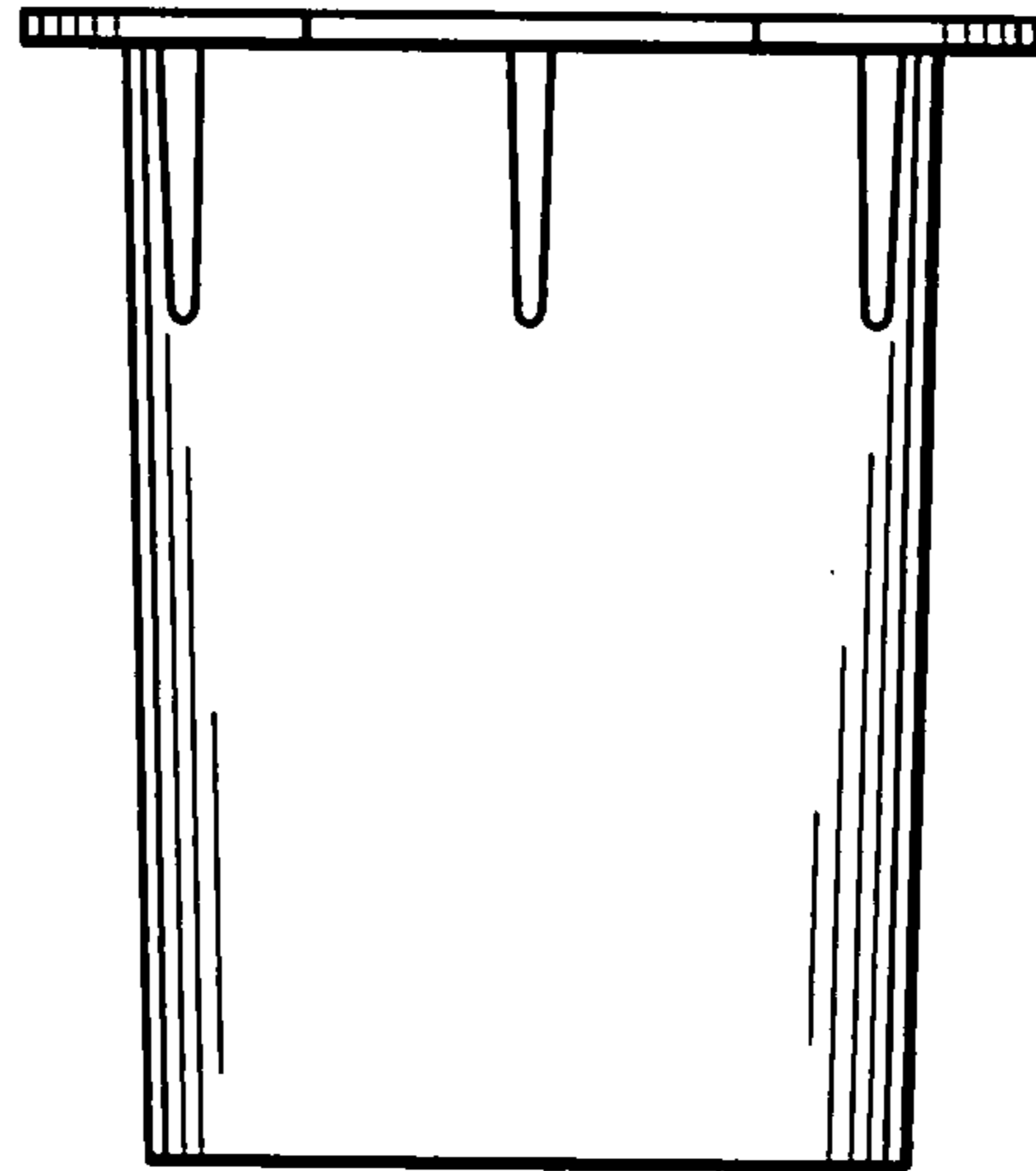


FIG.3

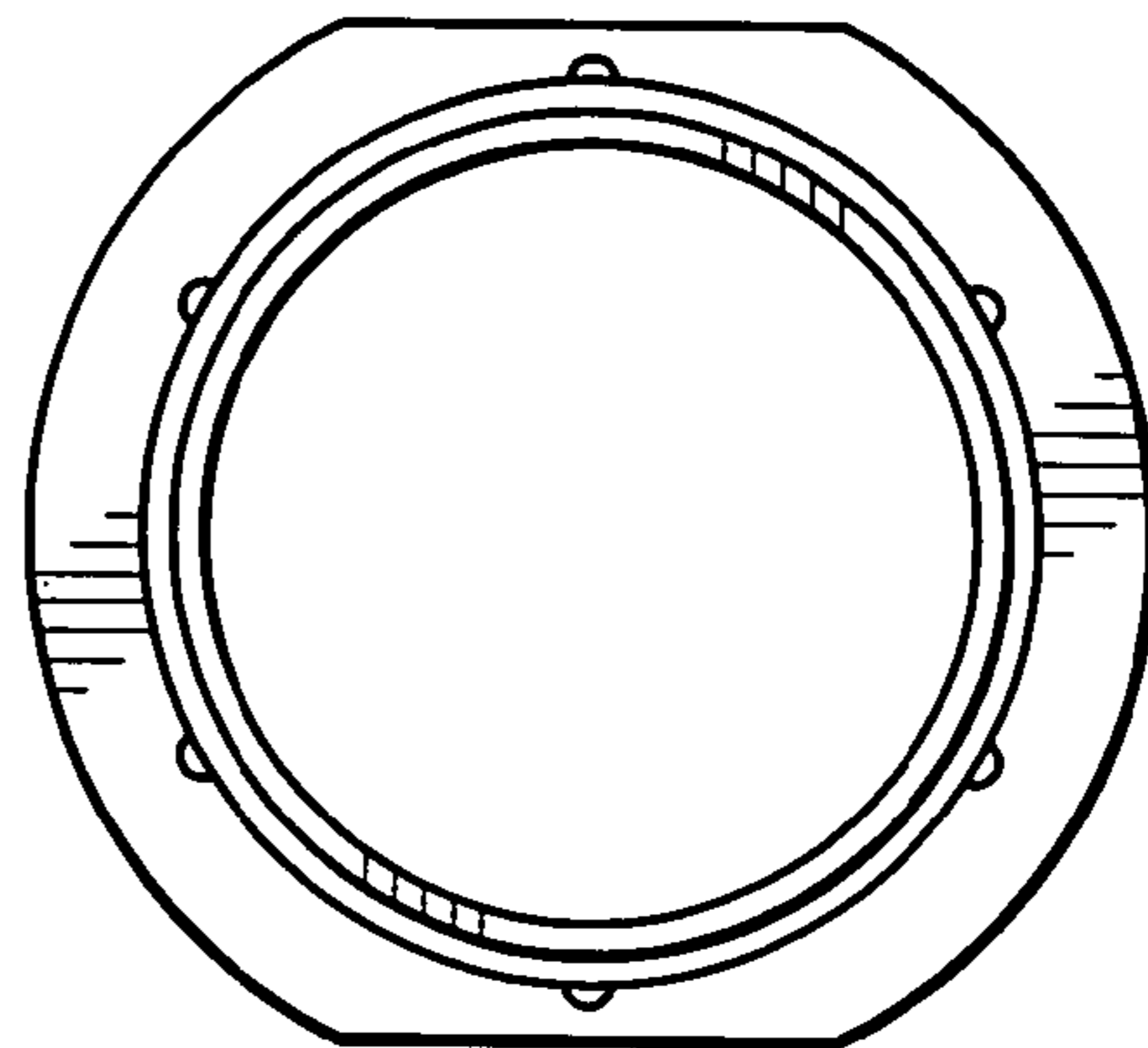


FIG.4

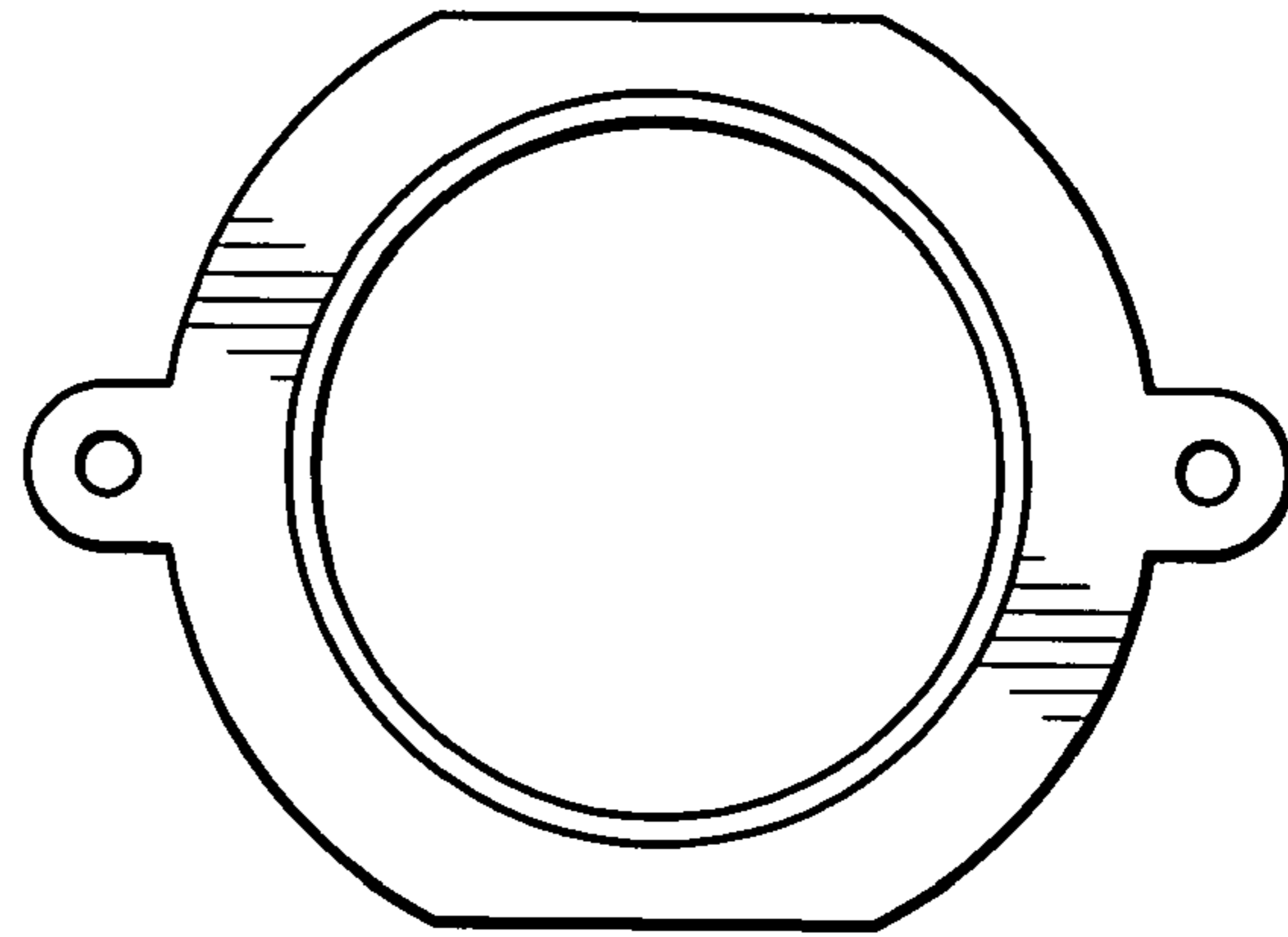


FIG. 6

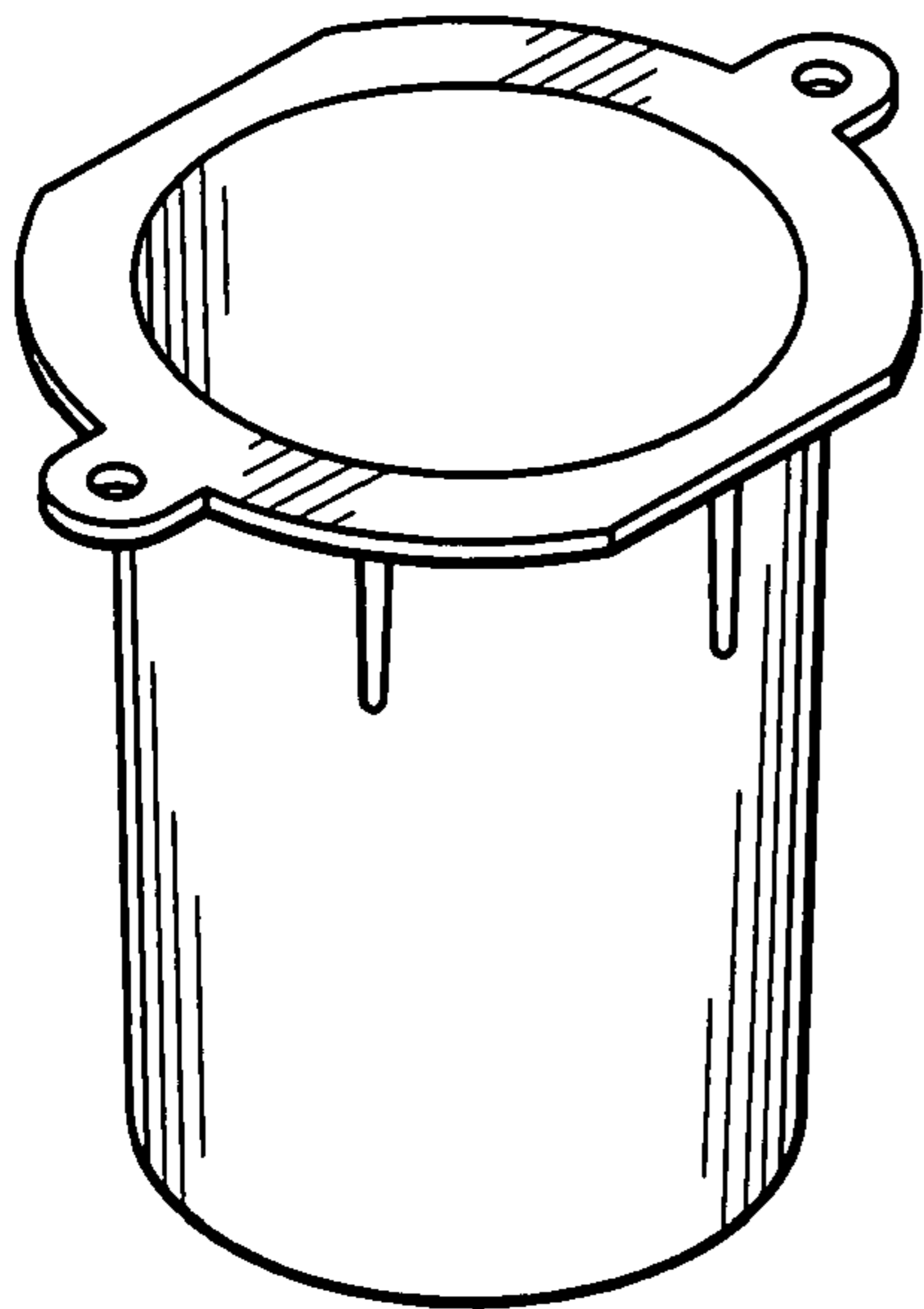


FIG. 5

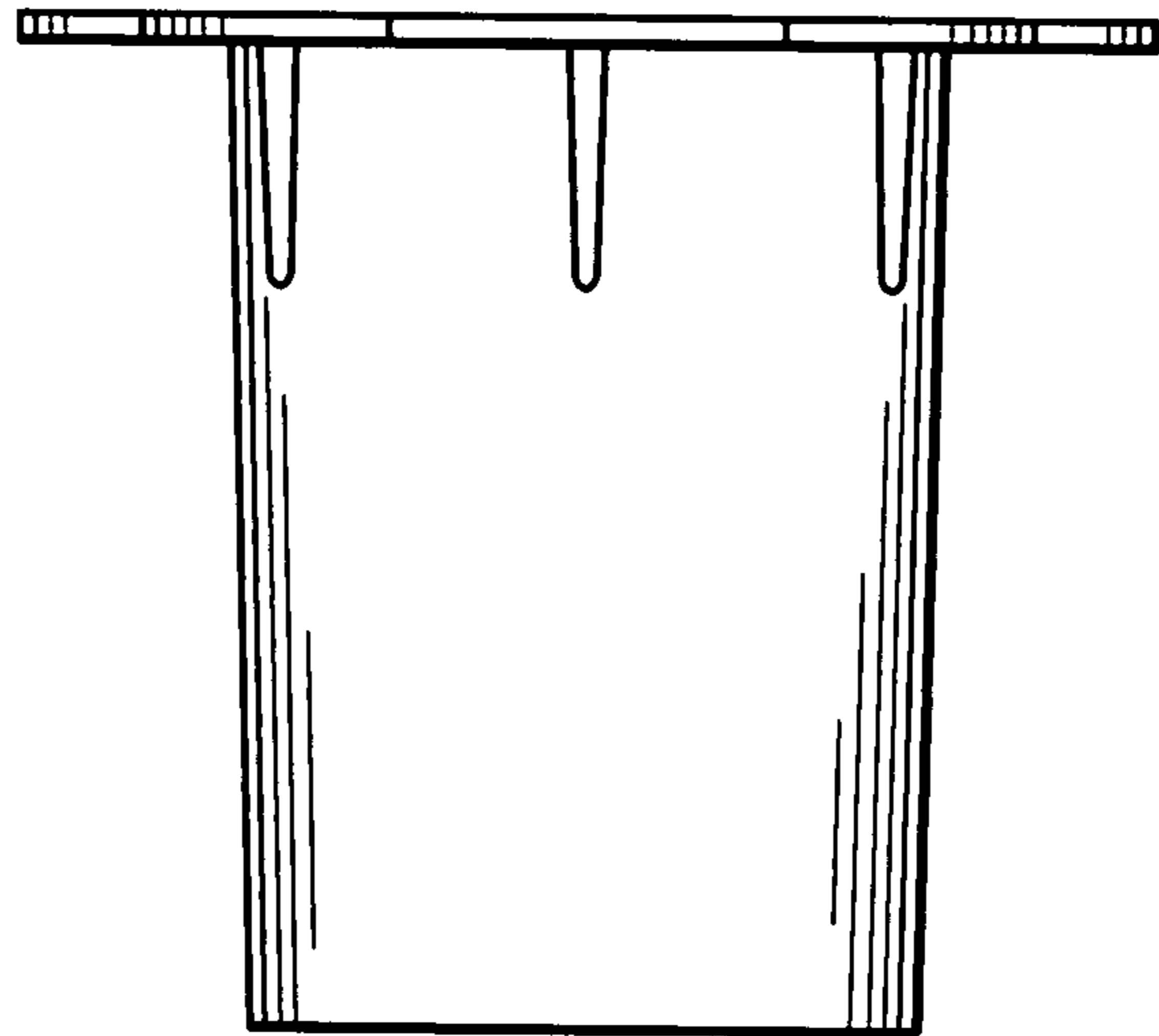


FIG. 7

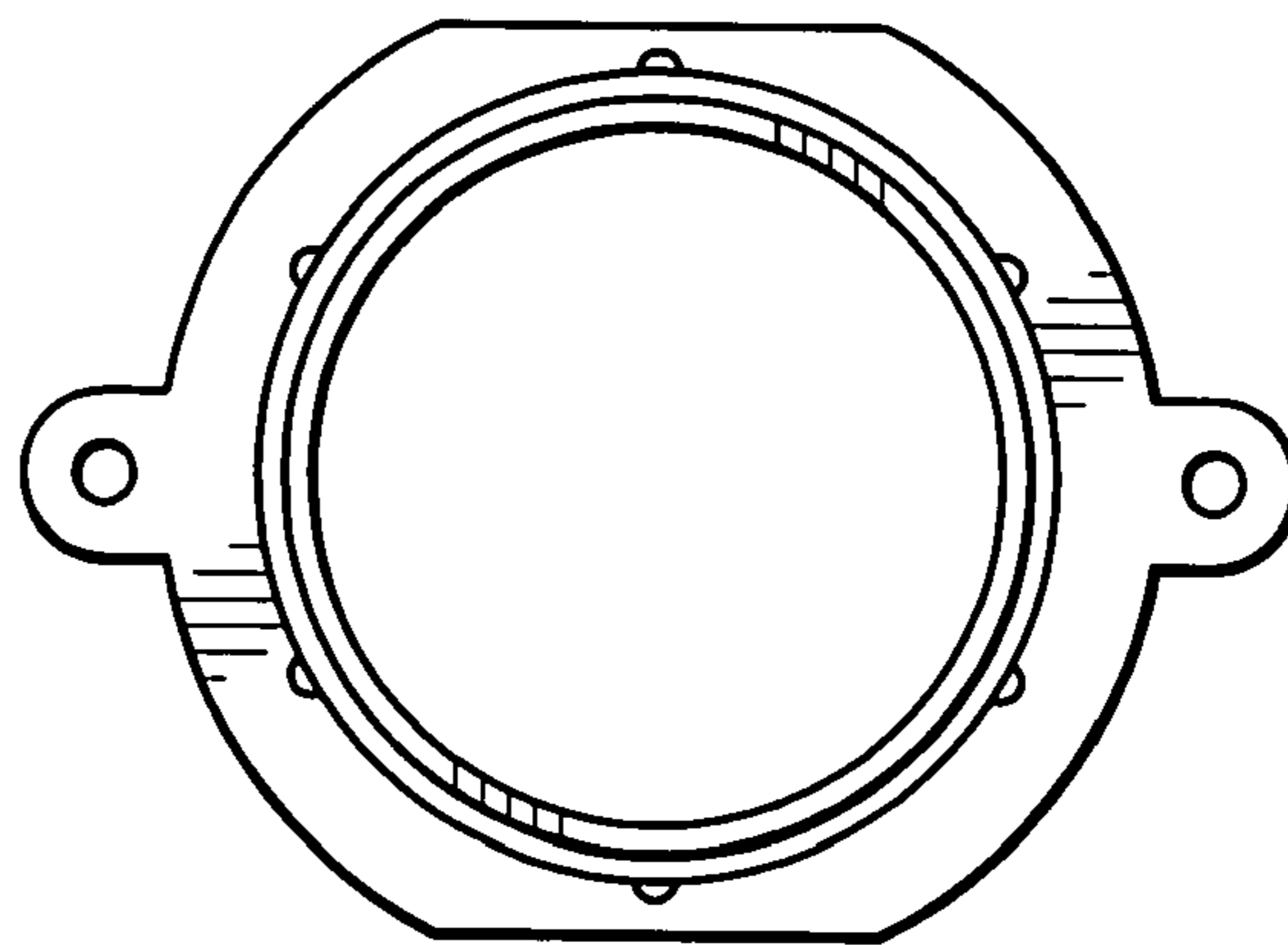


FIG. 8