



US00D567340S

(12) **United States Design Patent**
Tiberghien

(10) **Patent No.:** **US D567,340 S**
(45) **Date of Patent:** **** Apr. 22, 2008**

(54) **CONNECTOR**

(75) Inventor: **Alain-Christophe Tiberghien**, Sevrier (FR)

(73) Assignee: **Staubli Faverges**, Faverges (FR)

(**) Term: **14 Years**

(21) Appl. No.: **29/265,899**

(22) Filed: **Sep. 12, 2006**

(30) **Foreign Application Priority Data**

Mar. 17, 2006 (EM) 000497995-0003

(51) **LOC (8) Cl.** **23-01**

(52) **U.S. Cl.** **D23/262**

(58) **Field of Classification Search** D23/259,
D23/262; 285/253, 257, 275, 277, 305, 353,
285/377, 381; 251/149.1, 150; D24/129
See application file for complete search history.

(56) **References Cited**

U.S. PATENT DOCUMENTS

D376,415 S *	12/1996	Shemtov	D23/262
6,015,171 A *	1/2000	Schorn	285/362
6,651,956 B2 *	11/2003	Miller	251/149.1
D522,109 S *	5/2006	White et al.	D23/262
2003/0141477 A1 *	7/2003	Miller	251/149.1
2003/0209681 A1 *	11/2003	Leinsing et al.	251/149.1

* cited by examiner

Primary Examiner—Ian Simmons

Assistant Examiner—Eric L Goodman

(74) *Attorney, Agent, or Firm*—Stites & Harbison PLLC;
Douglas E. Jackson

(57) **CLAIM**

The ornamental design for a connector, as shown and described.

DESCRIPTION

FIG. 1 is front view of a connector according to the present invention.

FIG. 2 is a bottom view of the connector depicted in FIG. 1, the top view being a mirror image thereof.

FIG. 3 is a right side view of the connector depicted in FIG. 1.

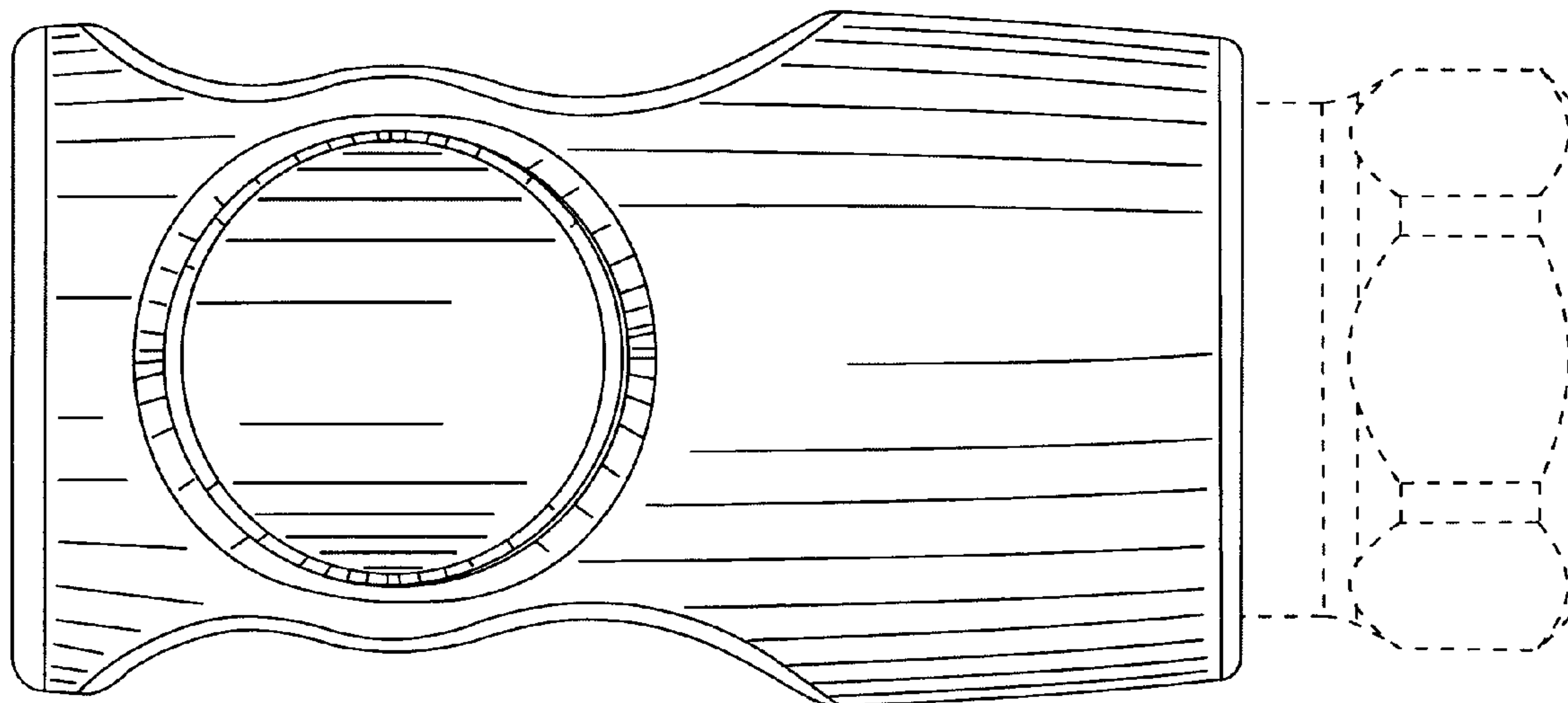
FIG. 4 is a left side view of the connector depicted in FIG. 1.

FIG. 5 is a rear view of the connector depicted in FIG. 1; and,

FIG. 6 is a perspective front, bottom and left side view of the connector depicted in FIG. 1.

The portions shown in broken lines are for illustrative purposes only and form no part of the claimed invention.

1 Claim, 5 Drawing Sheets



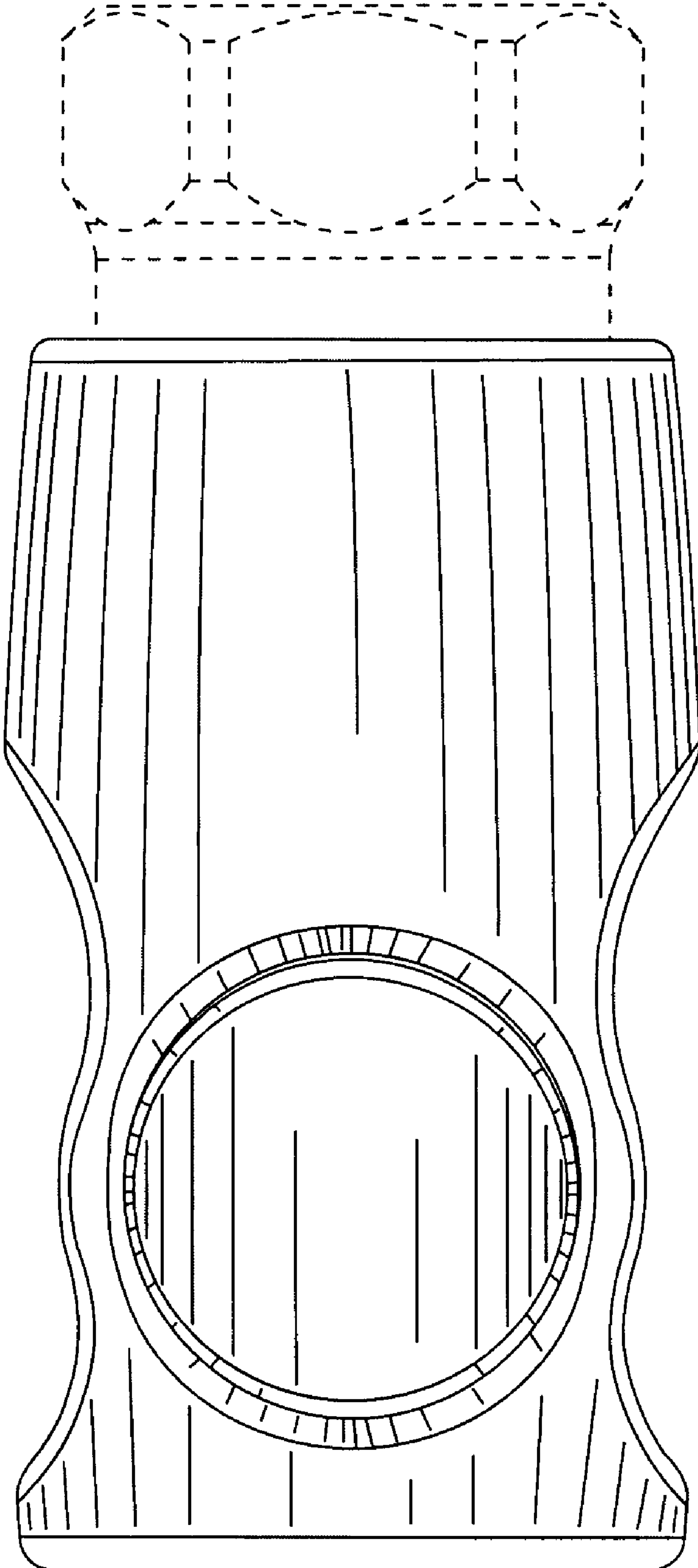


Fig. 1

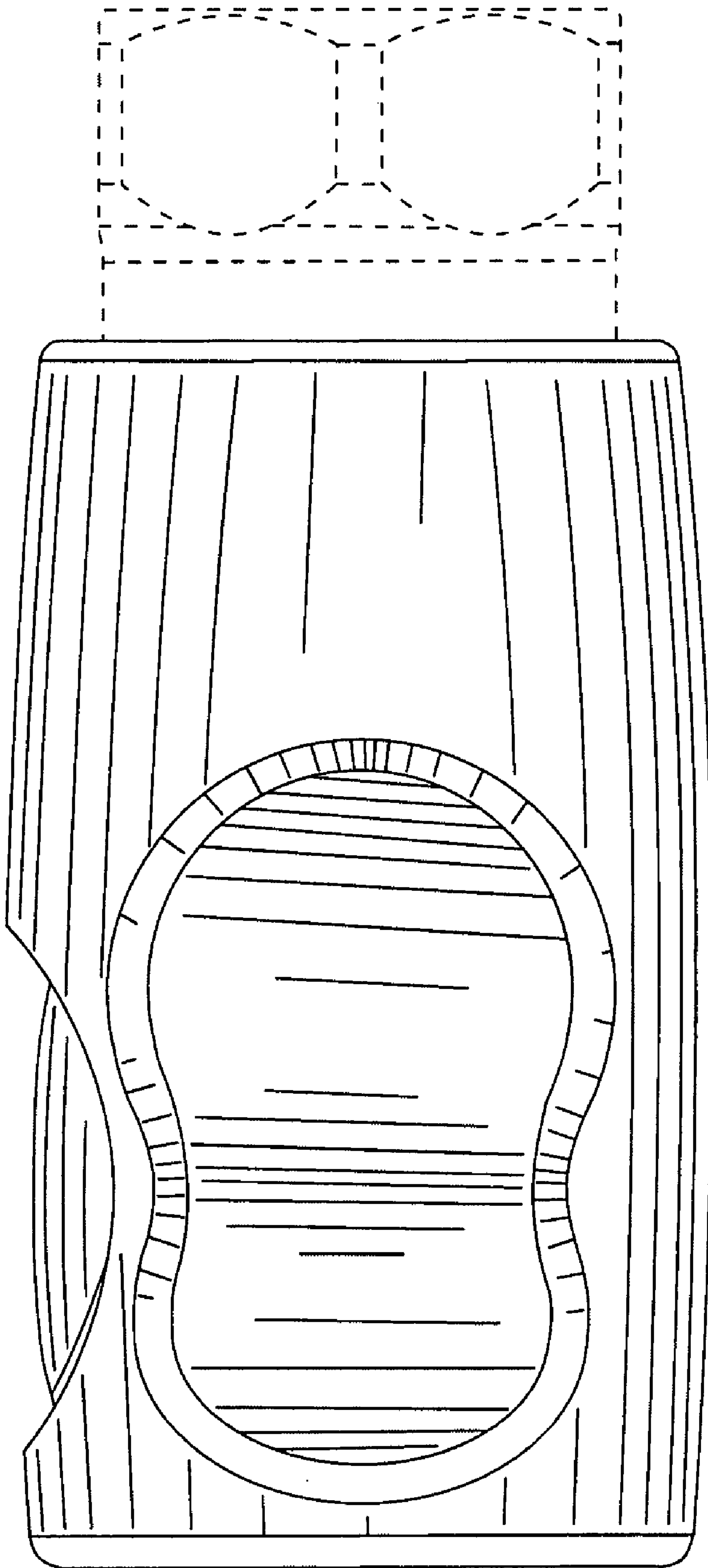


Fig. 2

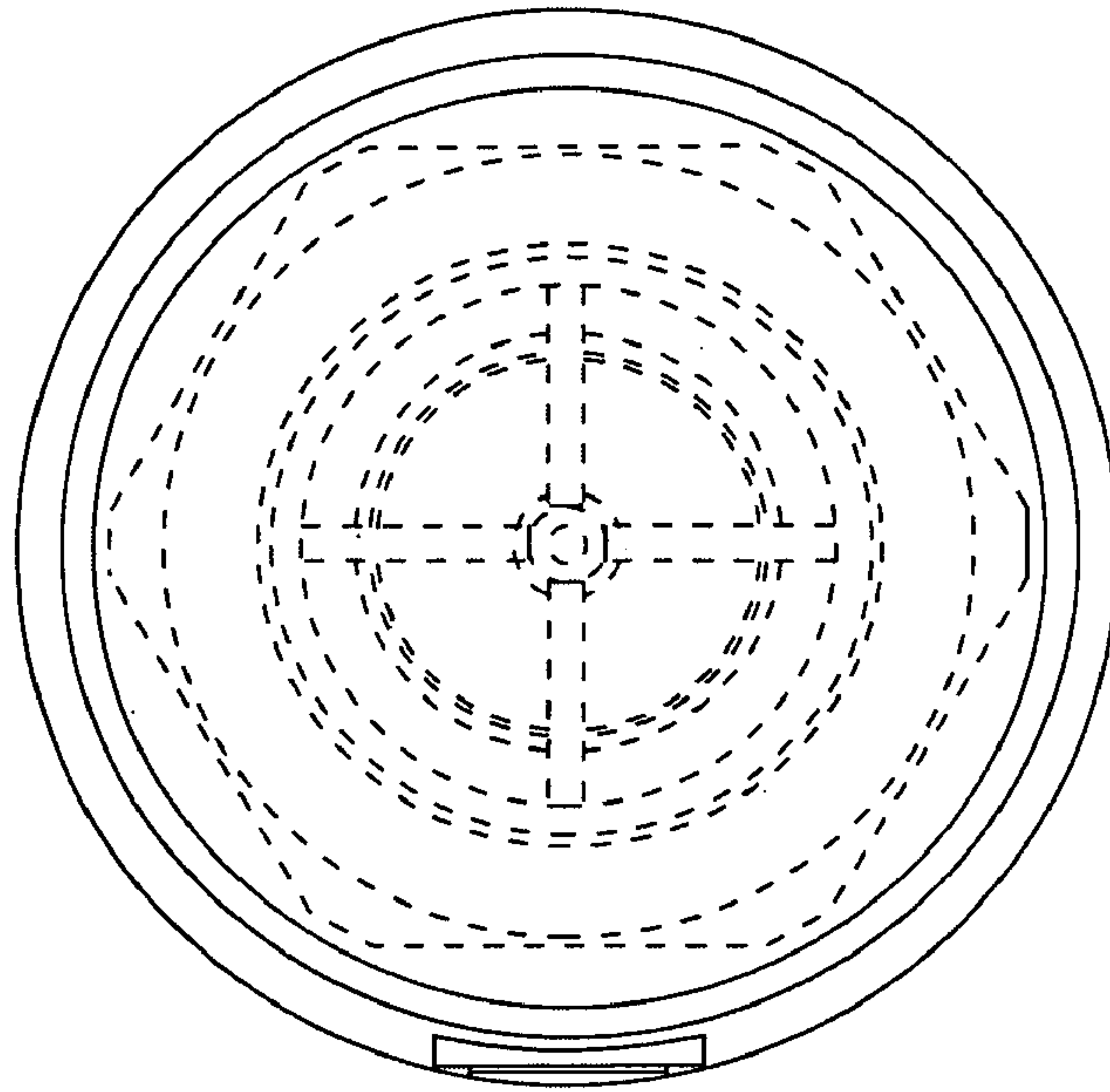


Fig. 3

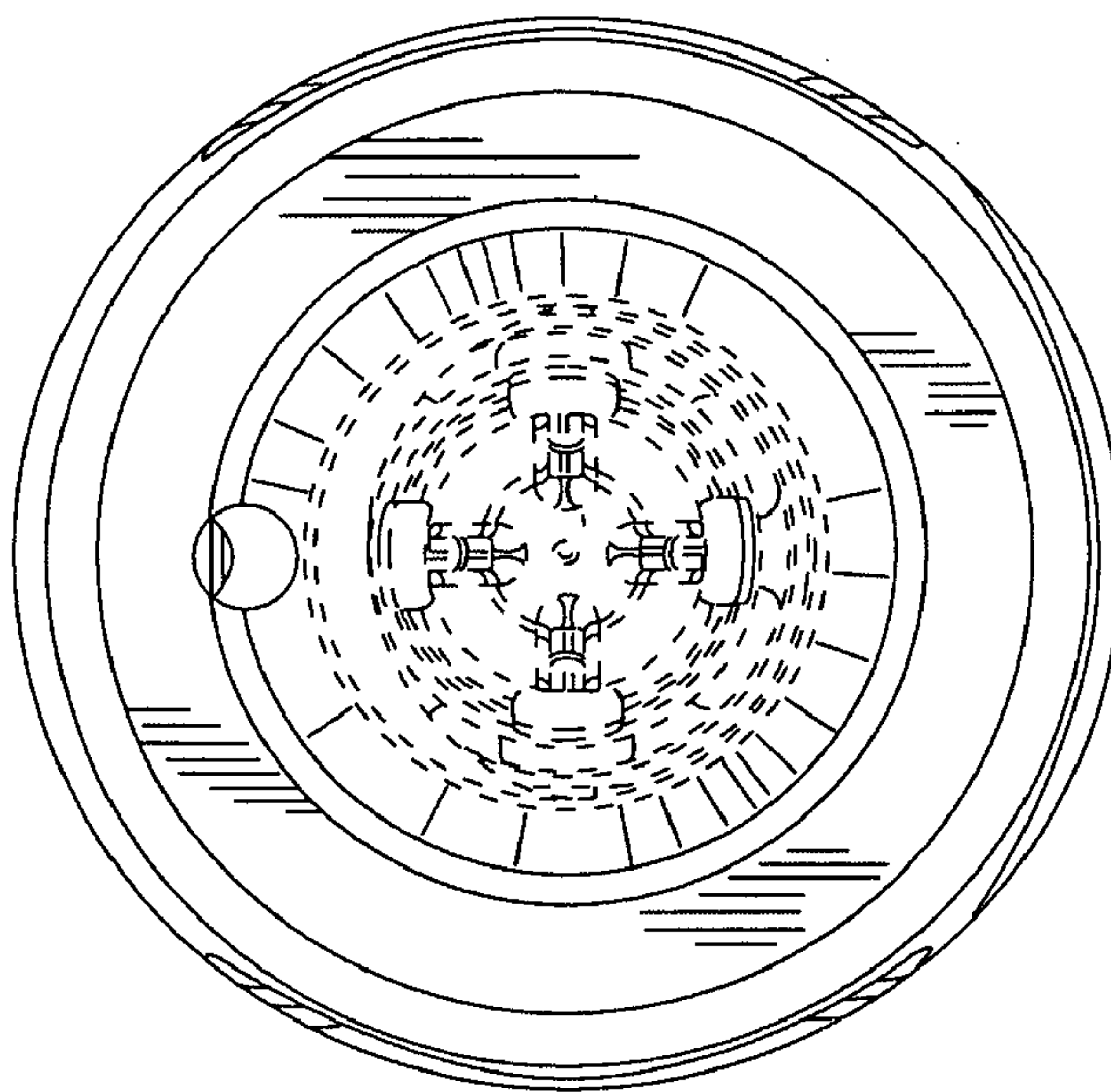


Fig. 4

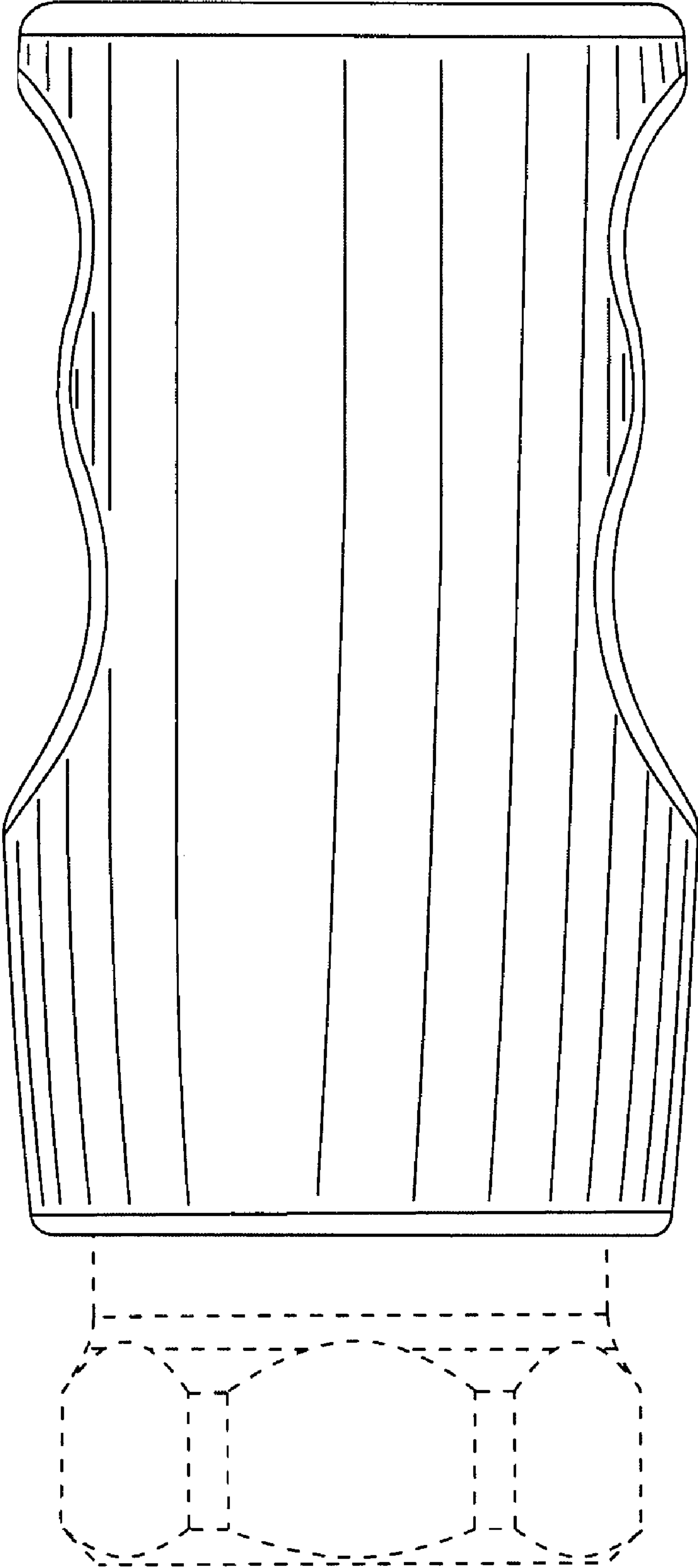


Fig. 5

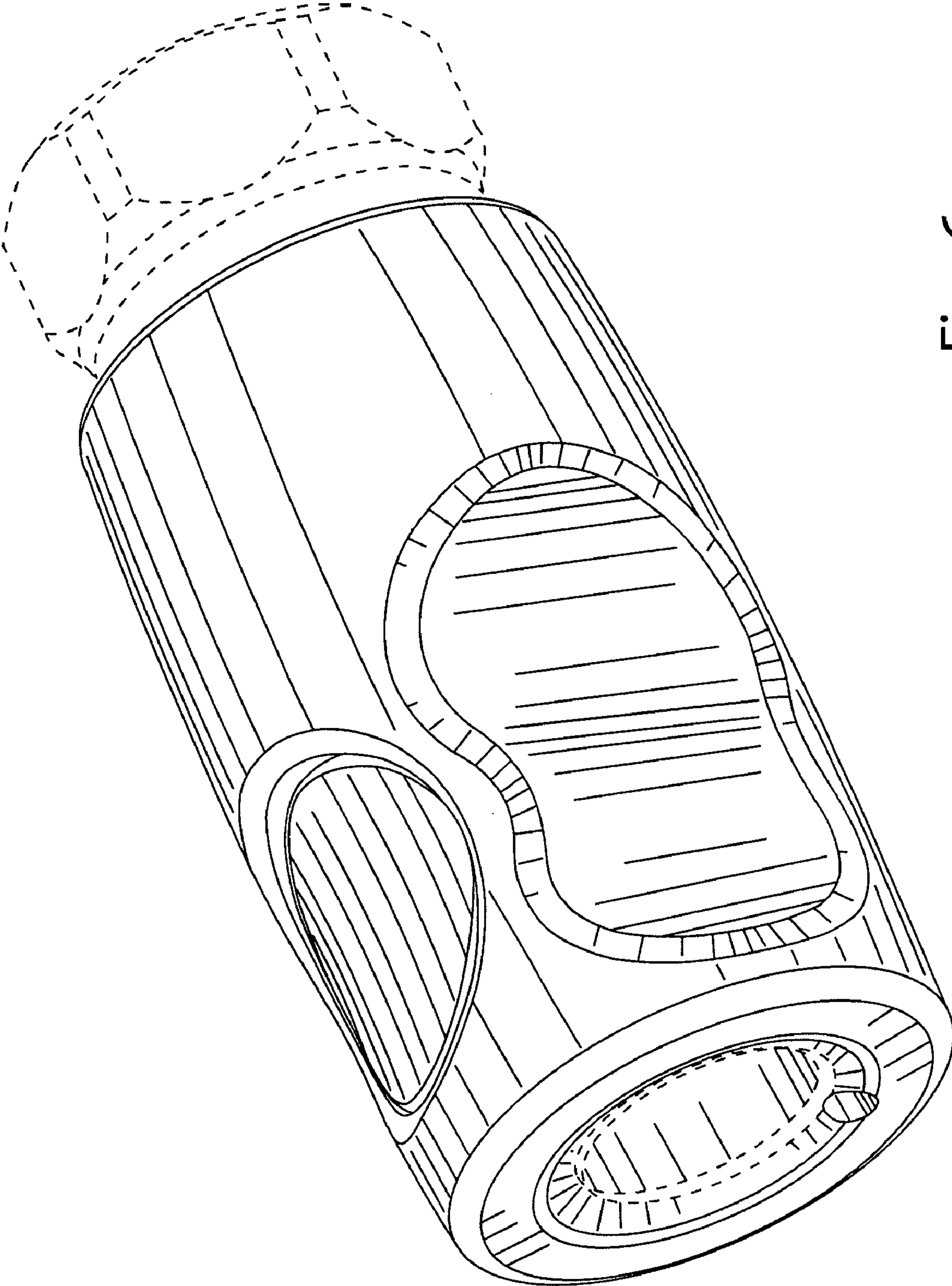


Fig. 6