



US00D567338S

(12) **United States Design Patent**
Scharf

(10) **Patent No.:** **US D567,338 S**
(45) **Date of Patent:** **** Apr. 22, 2008**

(54) **FAUCET**

(76) **Inventor:** **Paul Scharf**, 954 Lexington Ave., Suite 181, New York, NY (US) 10021

(**) **Term:** **14 Years**

(21) **Appl. No.:** **29/249,068**

(22) **Filed:** **Sep. 19, 2006**

(51) **LOC (8) Cl.** **23-01**

(52) **U.S. Cl.** **D23/255**

(58) **Field of Classification Search** D23/238–243,
D23/250–257; 4/675–678; 137/801
See application file for complete search history.

(56) **References Cited**

U.S. PATENT DOCUMENTS

- 4,003,403 A * 1/1977 Nehring 137/625.41
- D304,490 S * 11/1989 Hengesbach D23/245
- D321,243 S * 10/1991 Comstock, Jr. D23/245
- D400,970 S * 11/1998 Voo D23/245
- D438,595 S * 3/2001 Ferrer Beltran D23/233

OTHER PUBLICATIONS

Rieke Packaging Systems™, a TriMas Company; Dispensing Catalog—11 pages.

* cited by examiner

Primary Examiner—Robert A. Delehanty
(74) *Attorney, Agent, or Firm*—Collard & Roe, P.C.

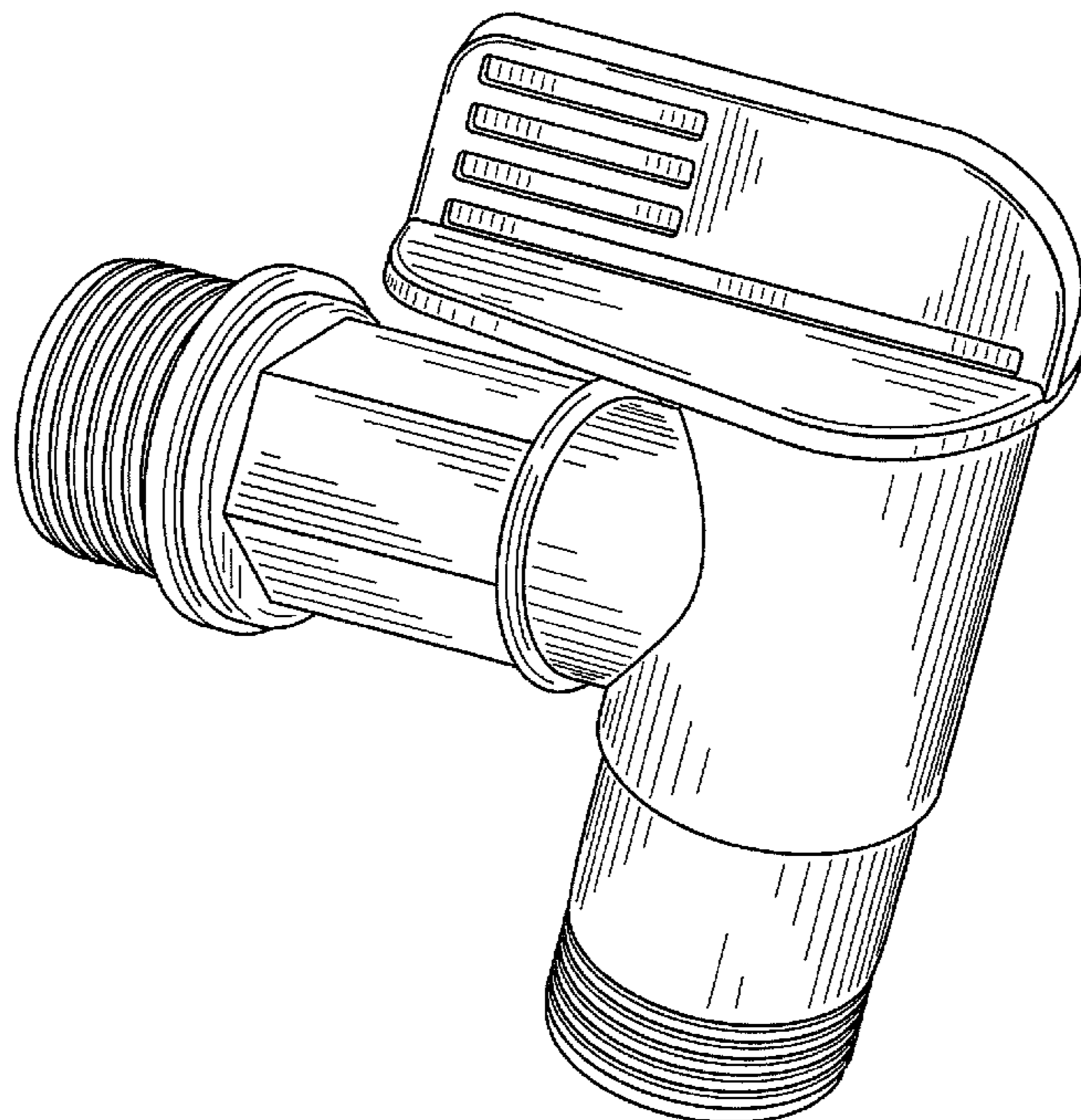
(57) **CLAIM**

The ornamental design for a faucet, as shown and described.

DESCRIPTION

FIG. 1 shows a front perspective view of a faucet;
 FIG. 2 shows a back view of the faucet;
 FIG. 3 shows a front of the faucet;
 FIG. 4 shows a first side view of the faucet which is opposite the side perspective view shown in FIG. 1;
 FIG. 5 shows another side view of the faucet which is the front side view with respect to FIG. 1;
 FIG. 6 shows a top side view of the faucet; and
 FIG. 7 shows a bottom side view of the faucet;
 FIG. 8 shows a front perspective view of a second embodiment of the faucet;
 FIG. 9 shows a back view of a second embodiment of the faucet;
 FIG. 10 shows a front view of a second embodiment of the faucet;
 FIG. 11 shows a first side view of the second embodiment of the faucet which is opposite the side perspective view shown in FIG. 8;
 FIG. 12 shows another side view of the second embodiment of the faucet which is the front side view with respect to FIG. 8;
 FIG. 13 shows a top side view of the second embodiment of the faucet; and,
 FIG. 14 shows a bottom side view of the second embodiment of the faucet.

1 Claim, 8 Drawing Sheets



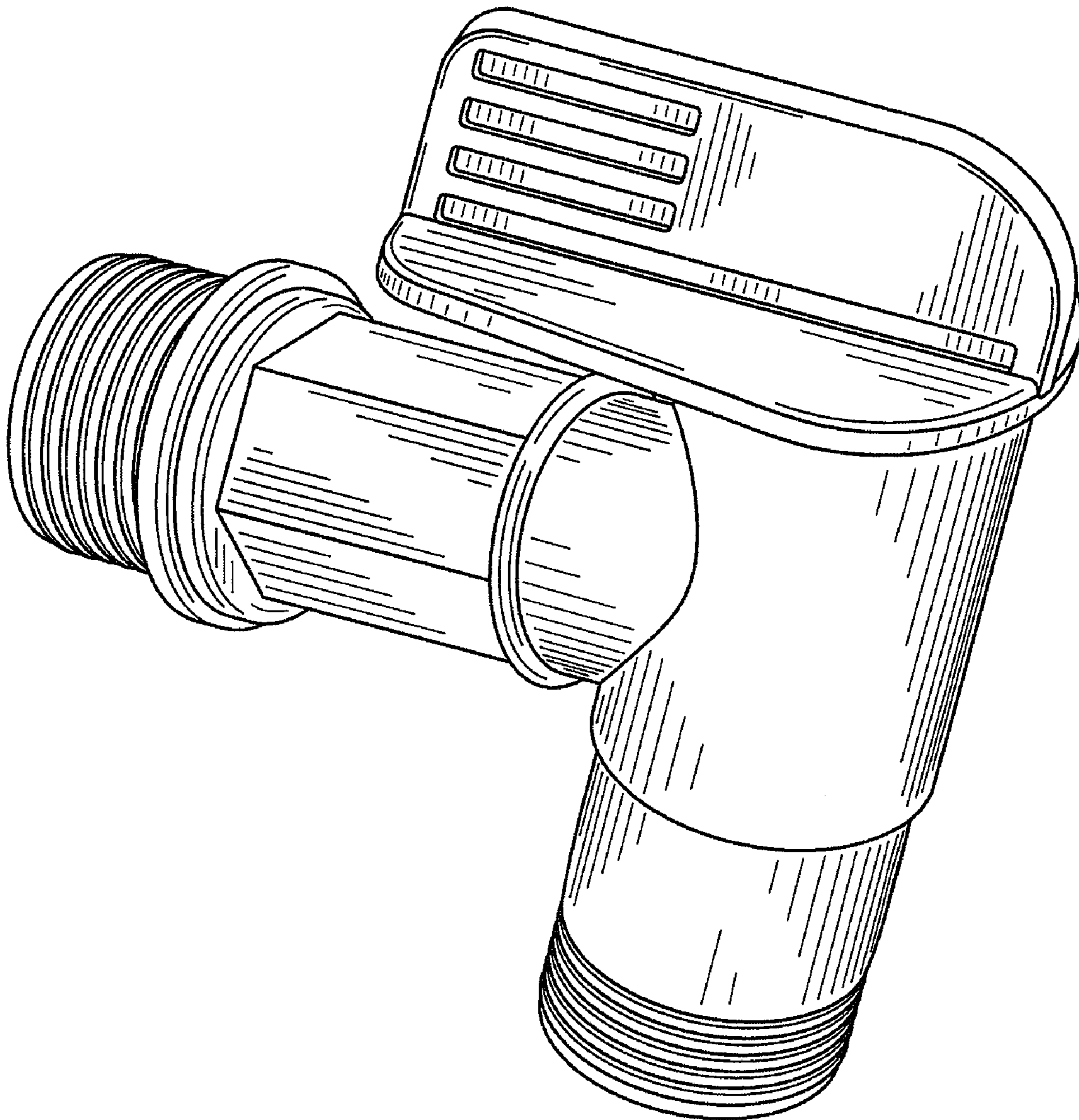


FIG. 1

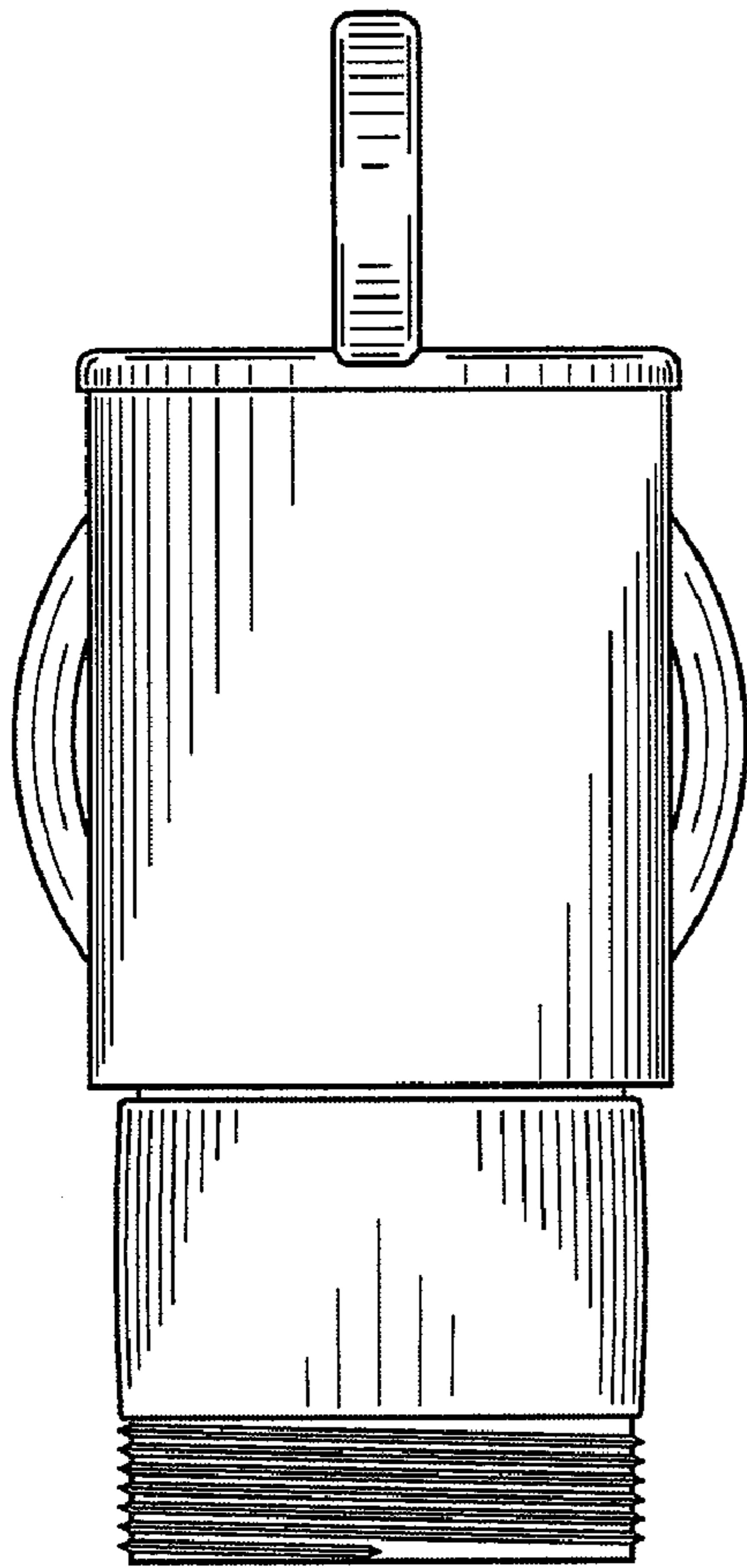


FIG. 2

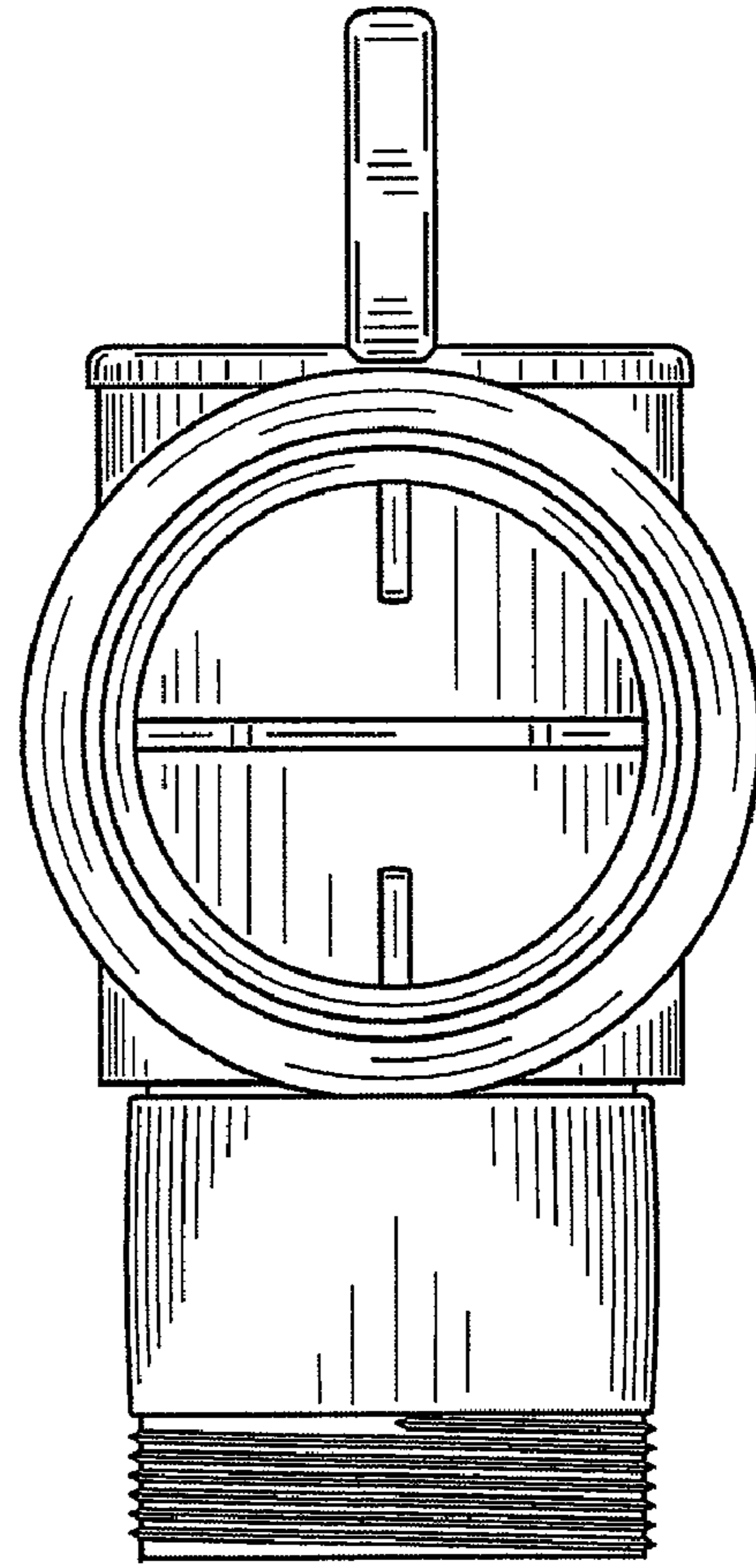


FIG. 3

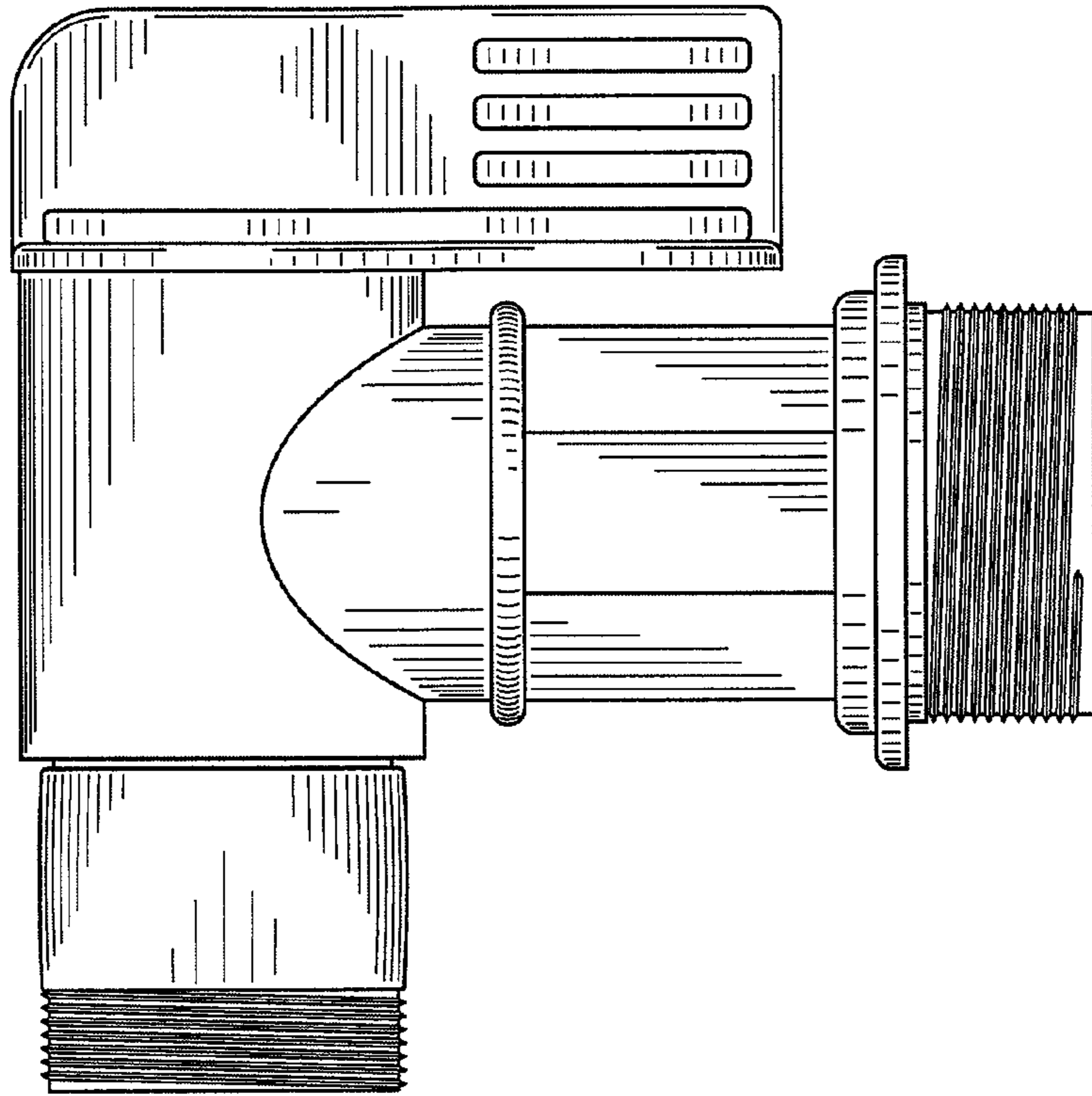


FIG. 4

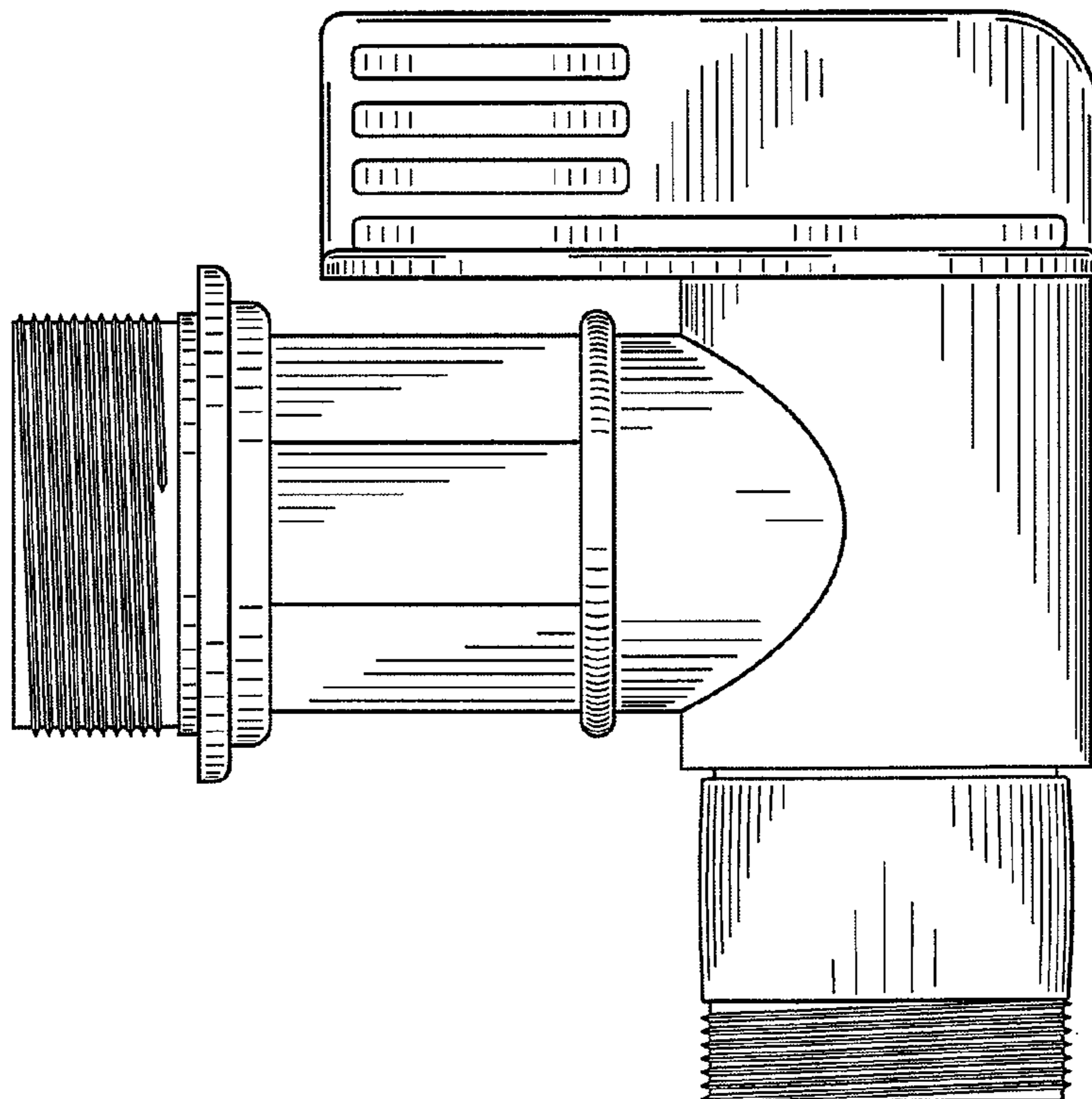


FIG. 5

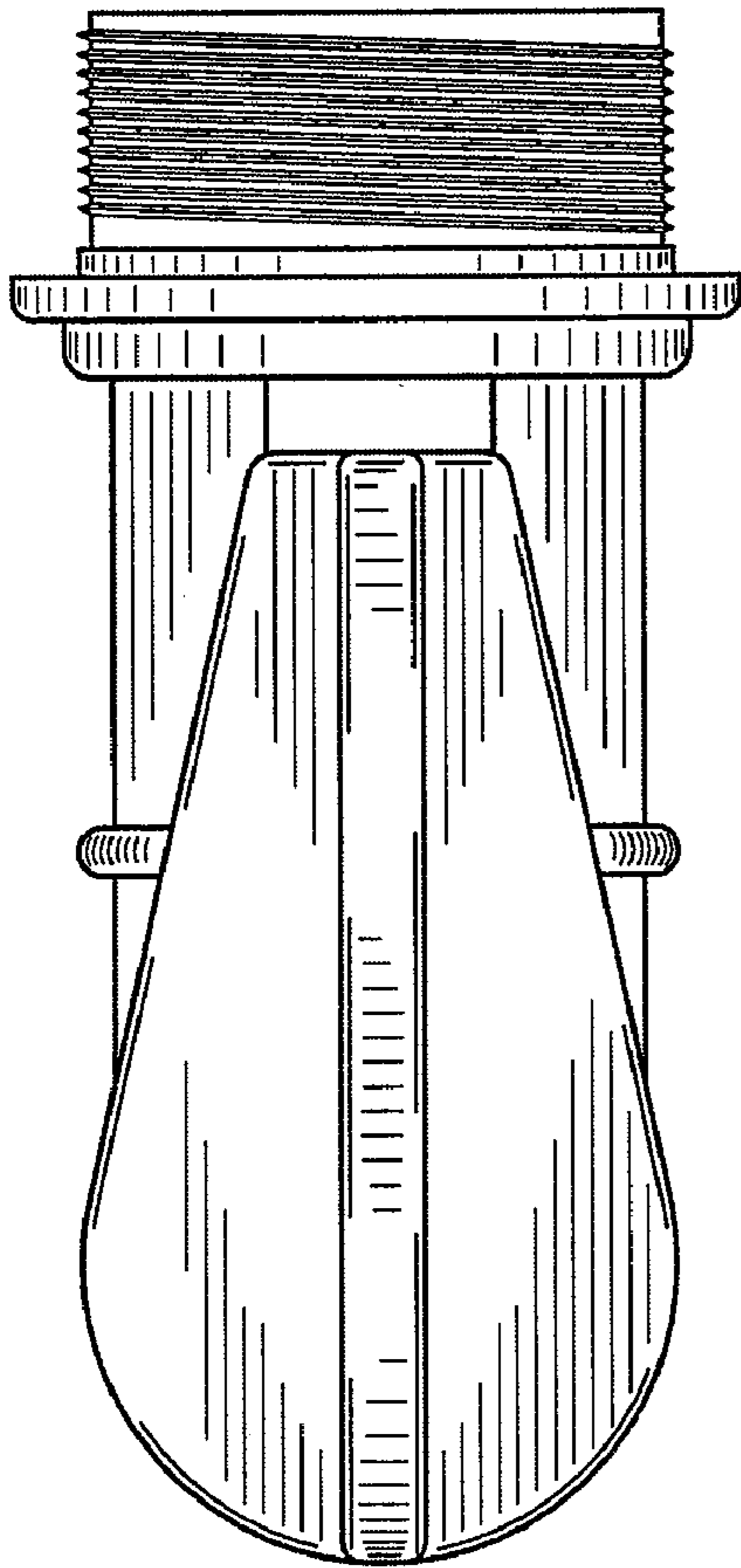


FIG. 6

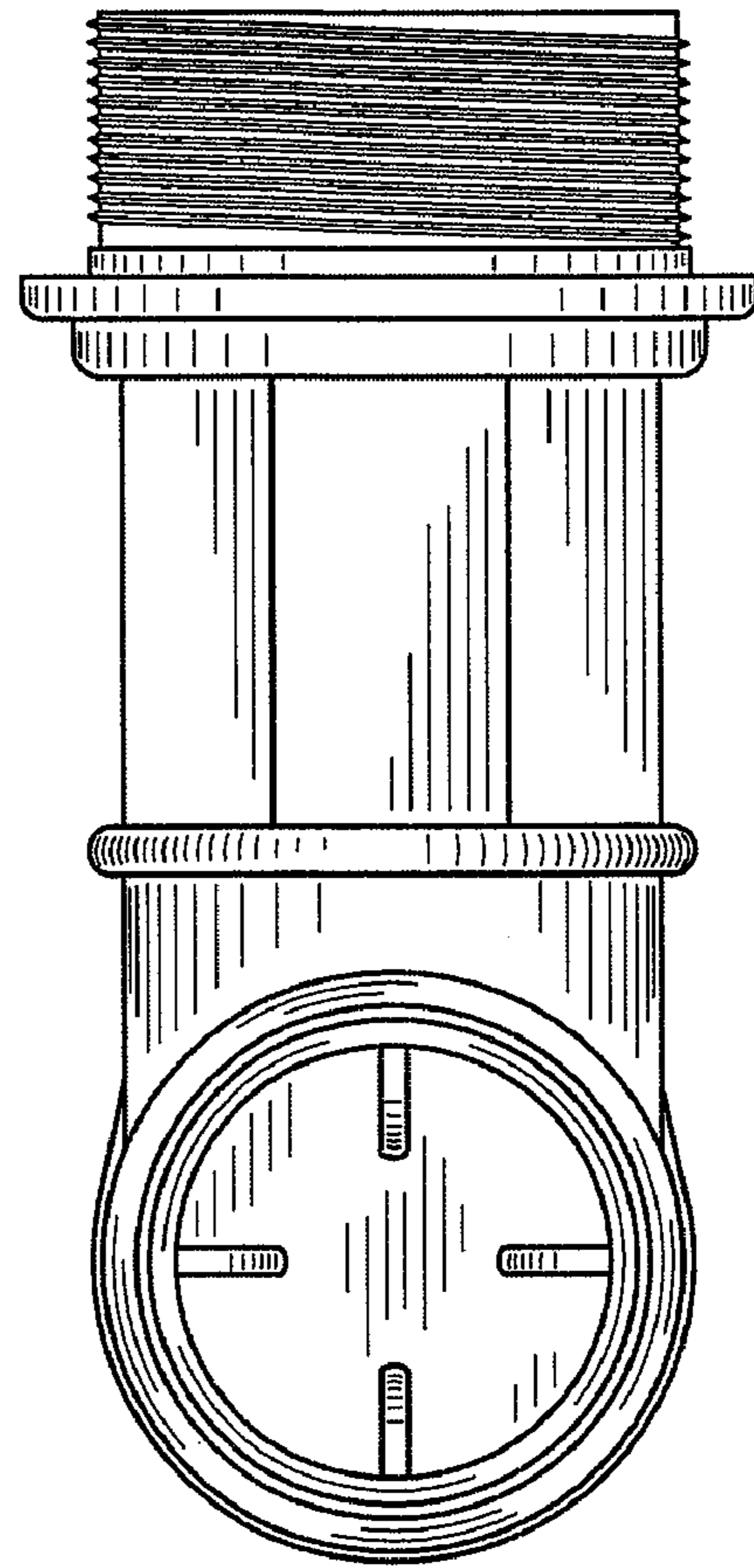


FIG. 7

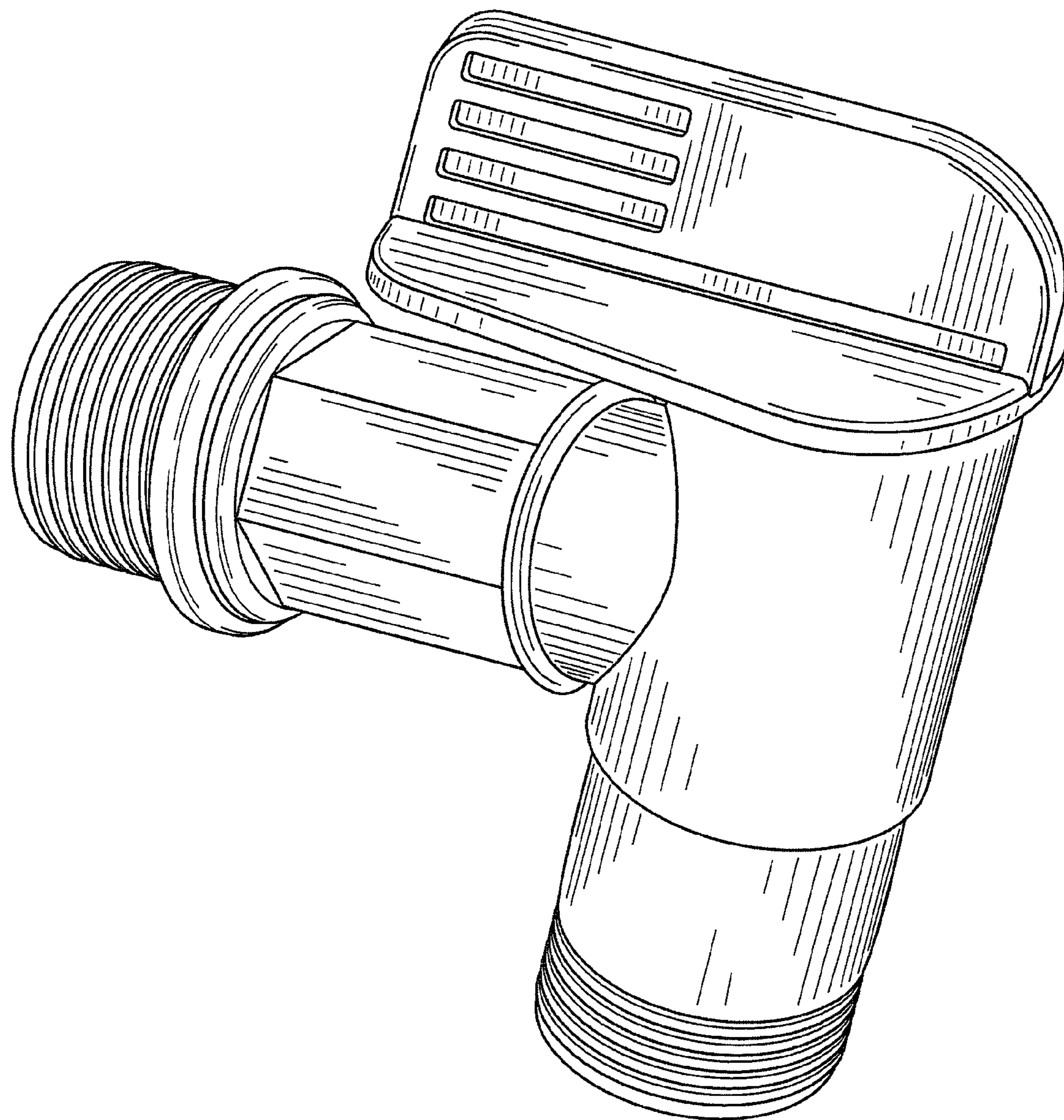


FIG. 8

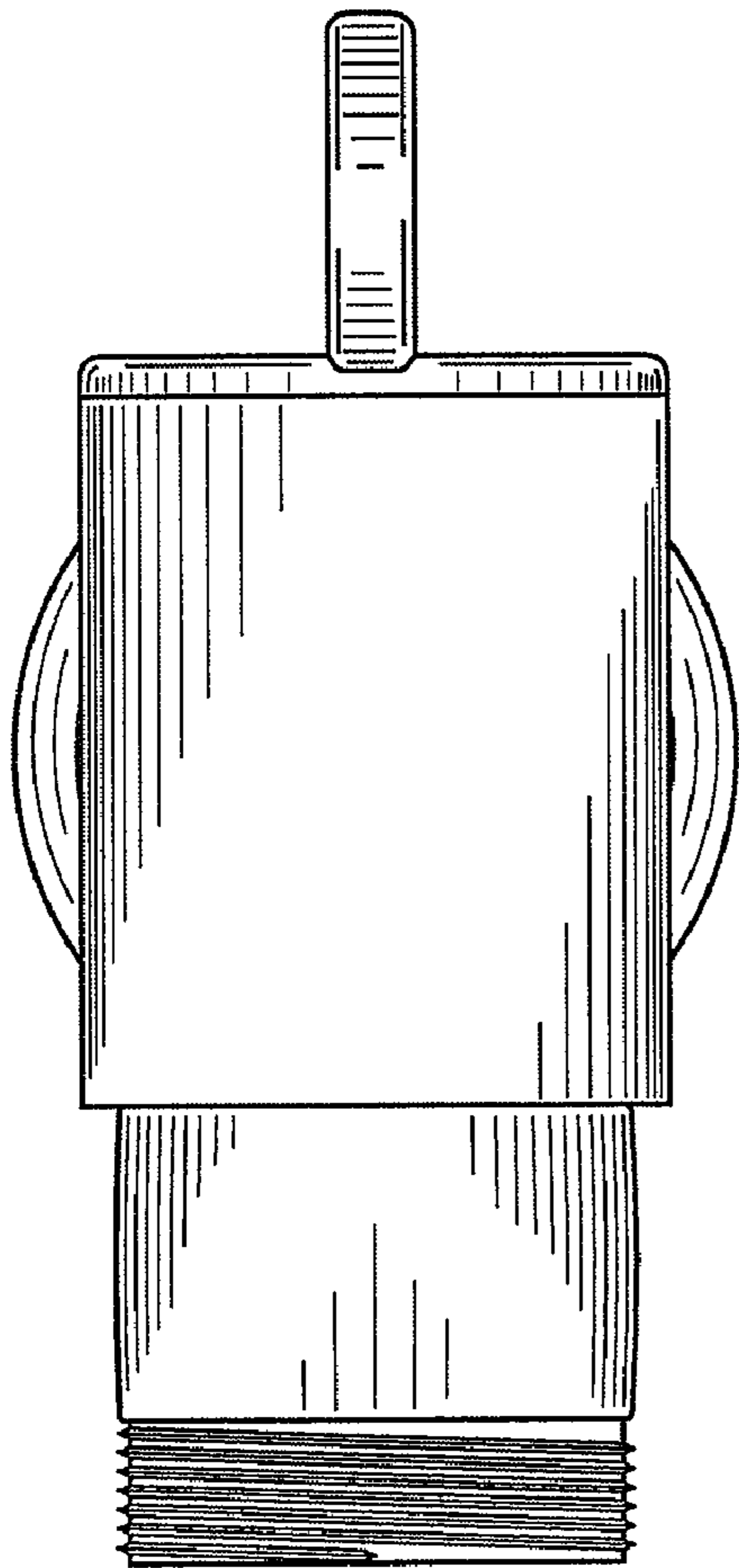


FIG. 9

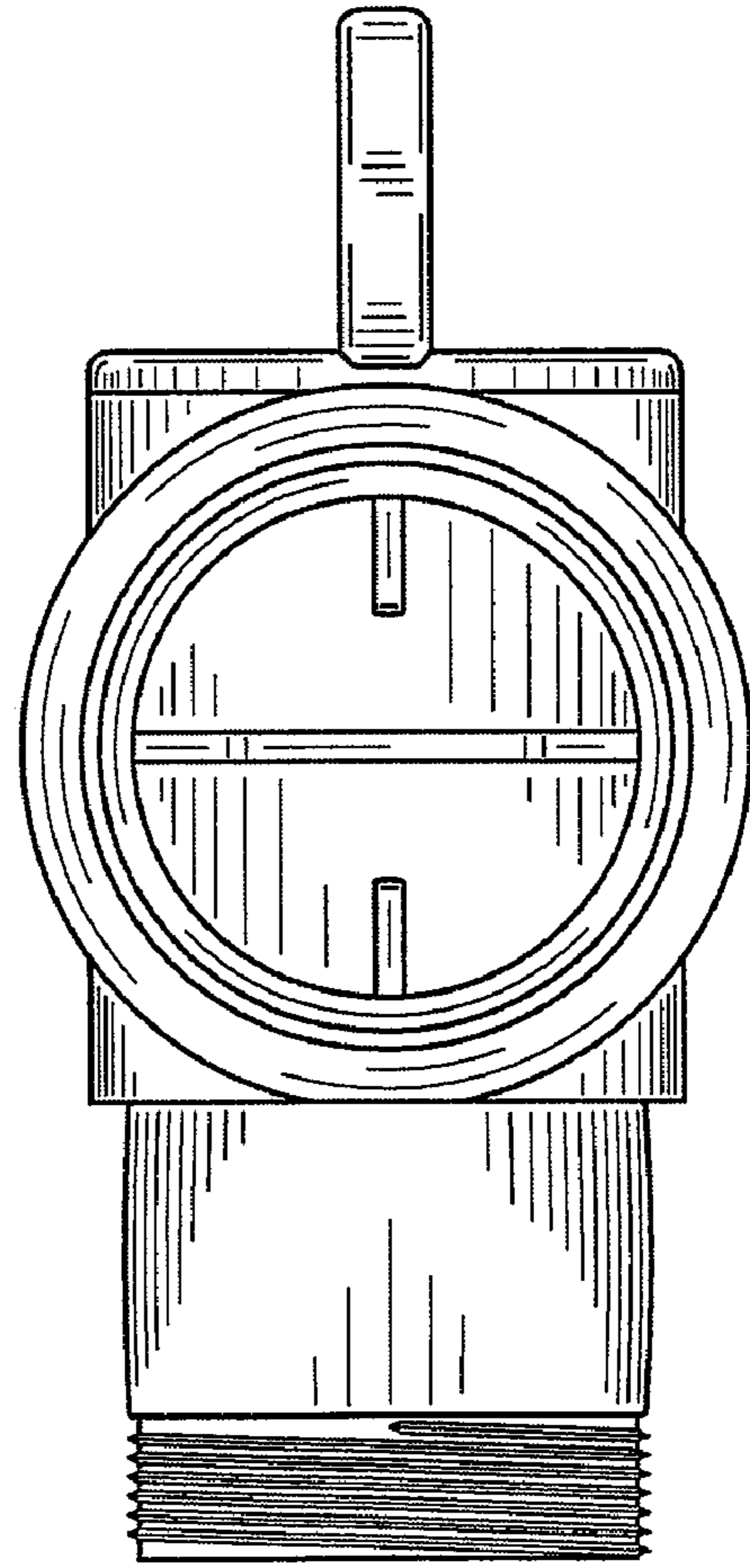


FIG. 10

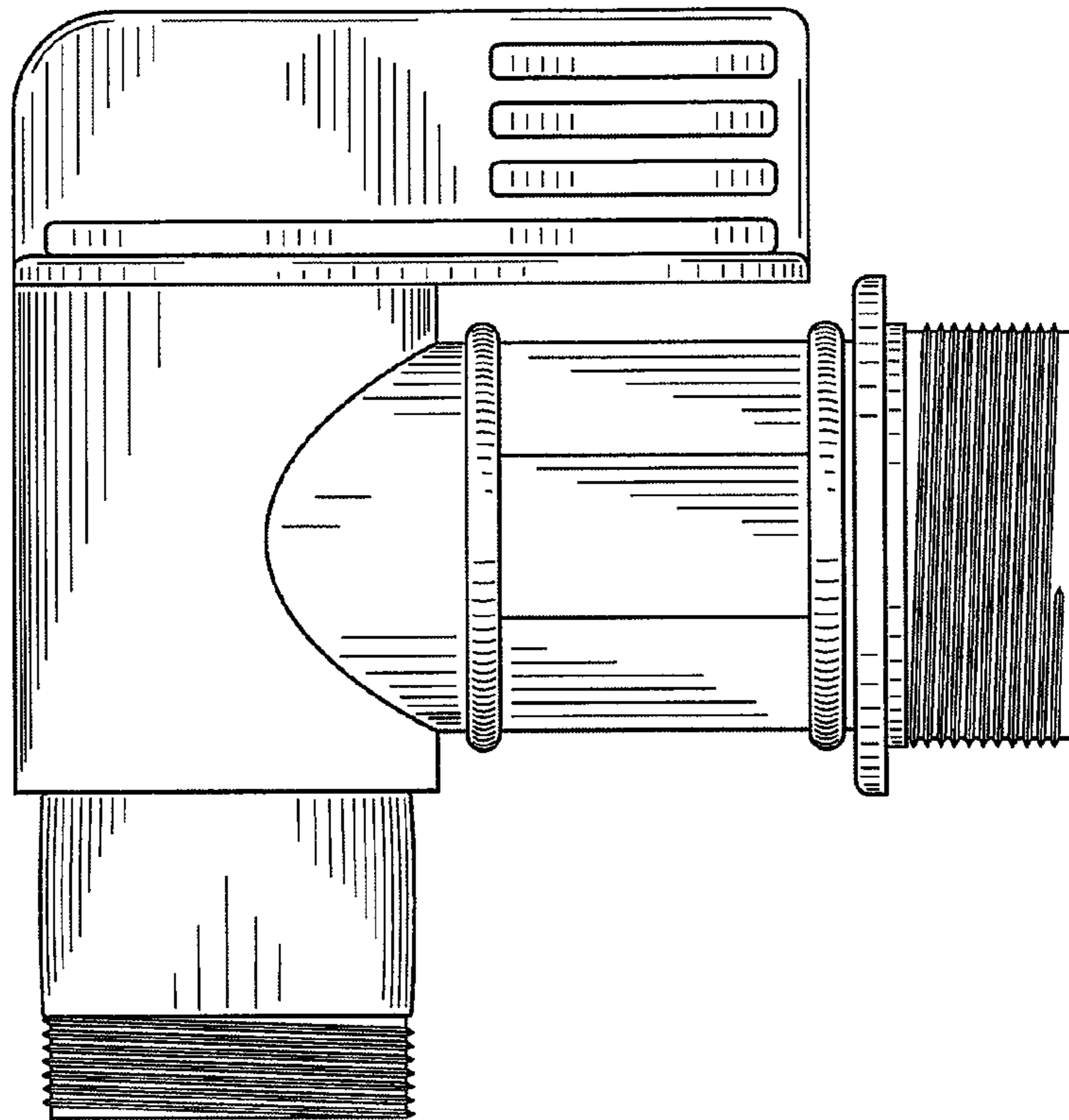


FIG. 11

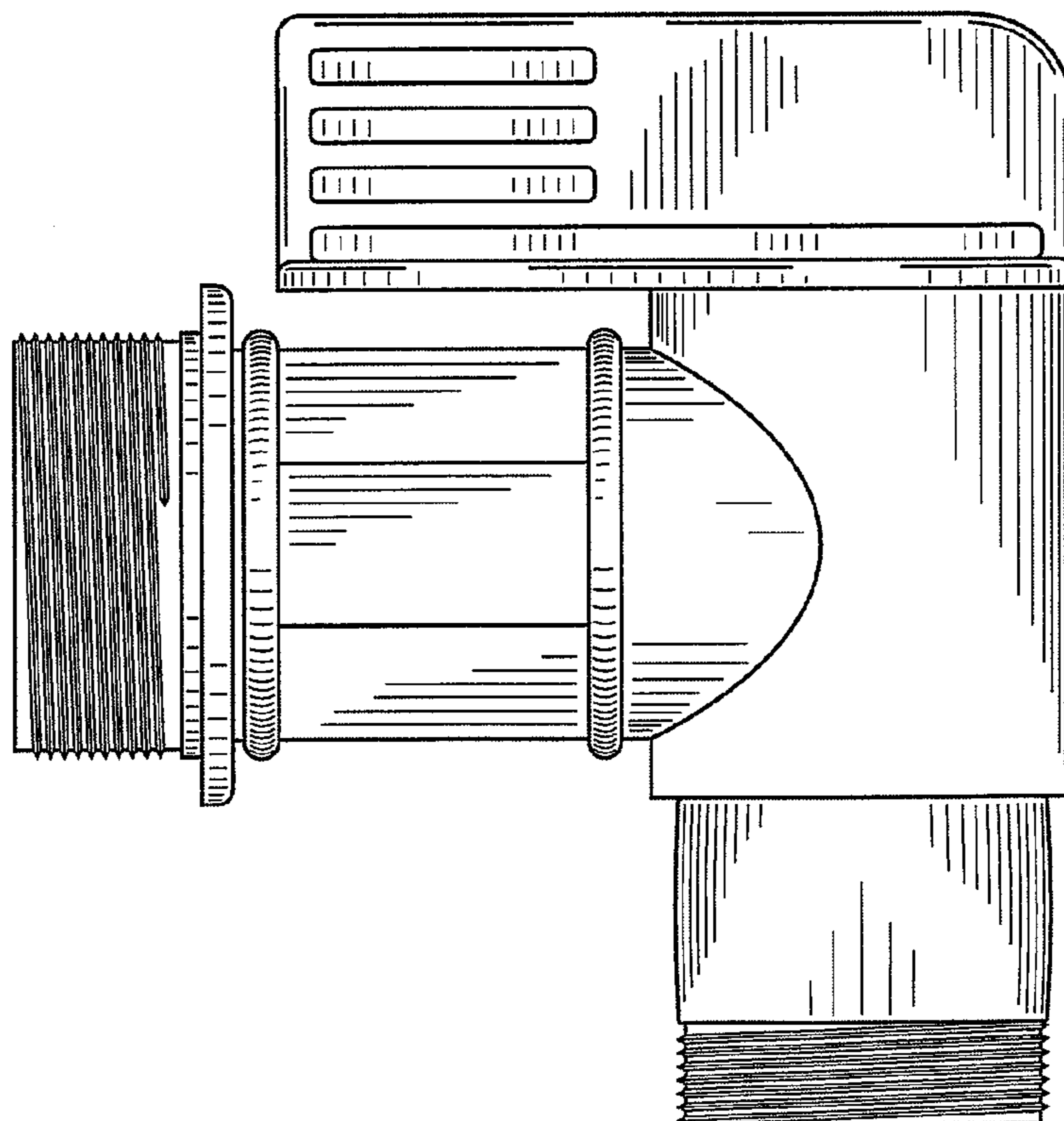


FIG. 12

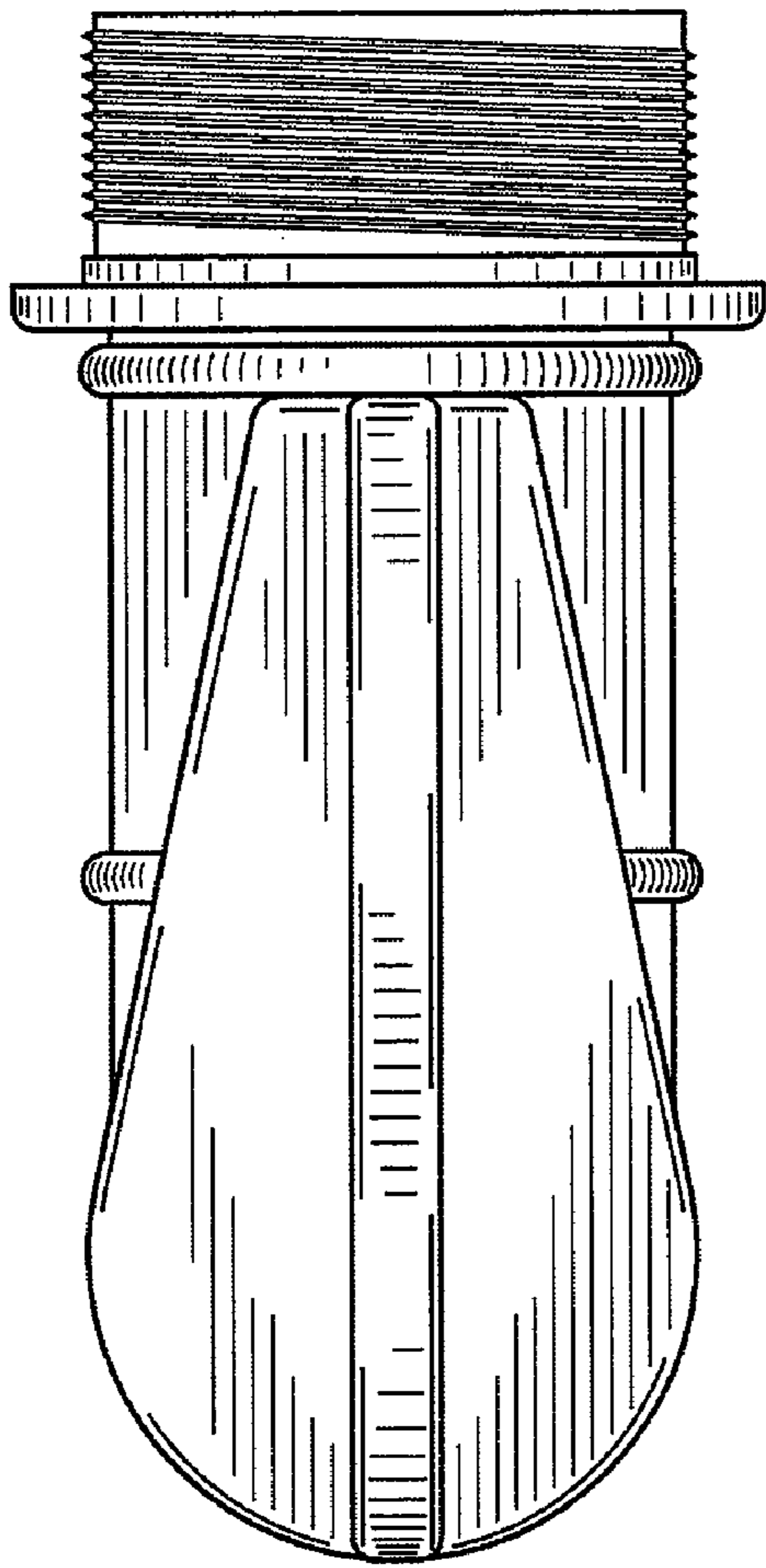


FIG. 13

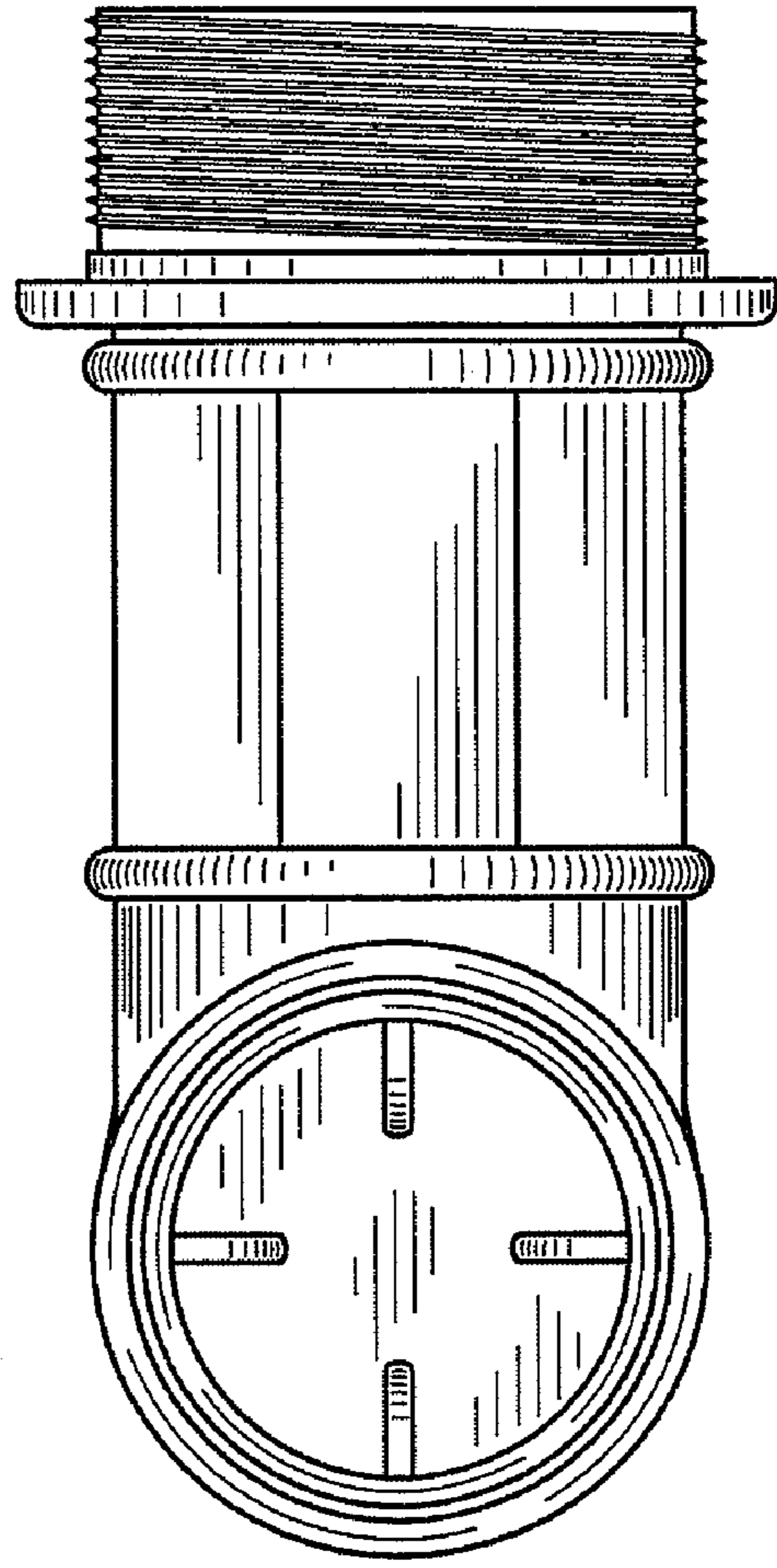


FIG. 14