



US00D567329S

(12) **United States Design Patent**
Holmes

(10) **Patent No.:** **US D567,329 S**

(45) **Date of Patent:** **** Apr. 22, 2008**

(54) **SPRINKLER HEAD**

(76) Inventor: **Tony Holmes**, 3 Reserve Road, Wangi Wangi NSW 2262 (AU)

(**) Term: **14 Years**

(21) Appl. No.: **29/286,268**

(22) Filed: **Apr. 30, 2007**

(51) **LOC (8) Cl.** **23-01**

(52) **U.S. Cl.** **D23/214**

(58) **Field of Classification Search** D23/213,
D23/214; 169/37-39

See application file for complete search history.

(56) **References Cited**

U.S. PATENT DOCUMENTS

D253,364 S * 11/1979 McFadden D23/214

D516,669 S * 3/2006 Antonucci et al. D23/214

D552,712 S * 10/2007 Franson et al. D23/213

* cited by examiner

Primary Examiner—Robin V Webster

(74) *Attorney, Agent, or Firm*—Chernoff, Vilhauer, McClung & Stenzel

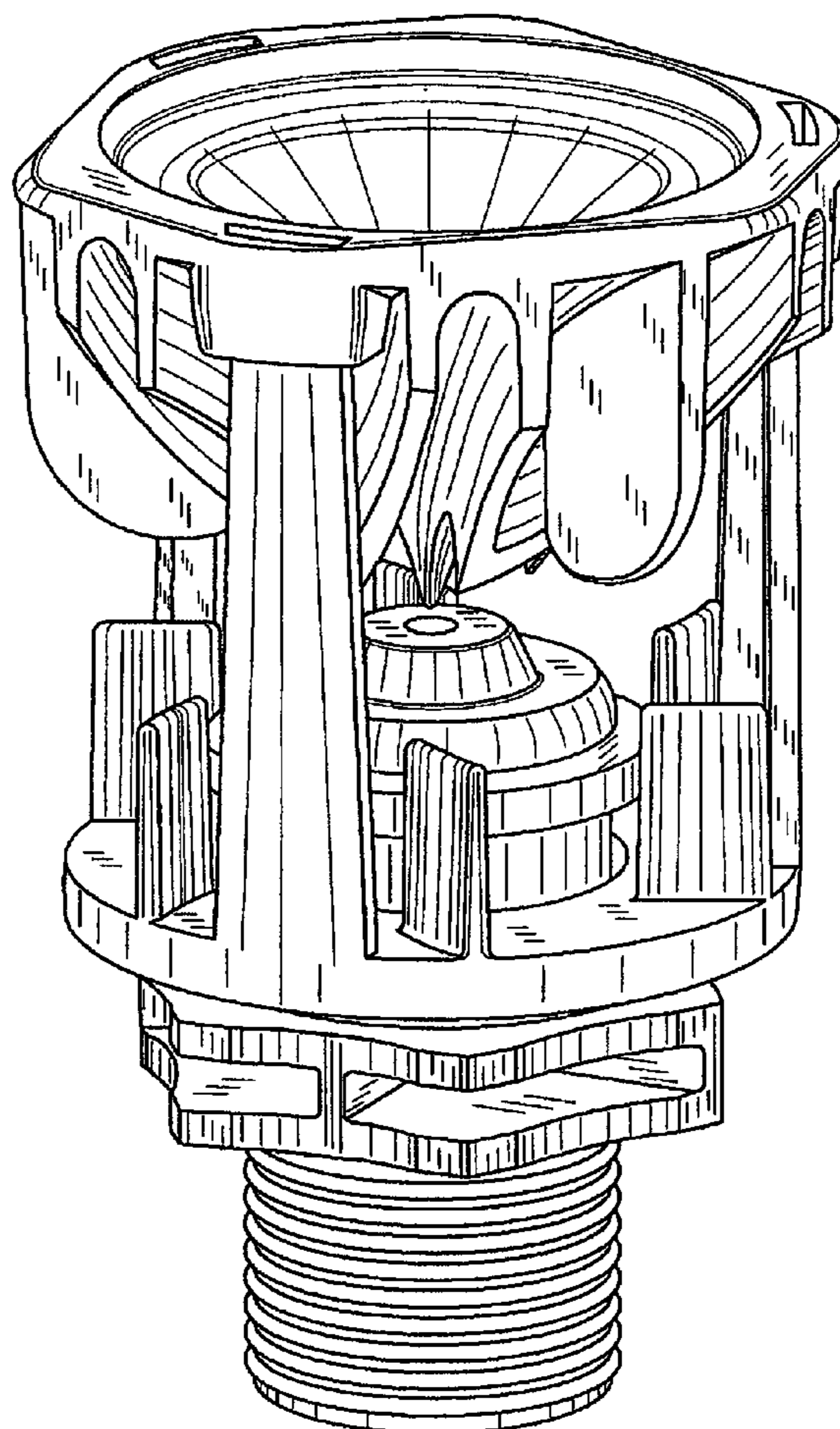
(57) **CLAIM**

The ornamental design for a sprinkler head, as shown and described.

DESCRIPTION

FIG. 1 is a front view of a sprinkler head;
FIG. 2 is a bottom view of the sprinkler head of FIG. 1;
FIG. 3 is a top view of the sprinkler head of FIG. 1;
FIG. 4 is a right side view of the sprinkler head of FIG. 1;
FIG. 5 is a left side view of the sprinkler head of FIG. 1;
FIG. 6 is a rear view of the sprinkler head of FIG. 1;
FIG. 7 is a perspective view of the sprinkler head of FIG. 1, from below; and,
FIG. 8 is a perspective view of the sprinkler head of FIG. 1, from above.

1 Claim, 8 Drawing Sheets



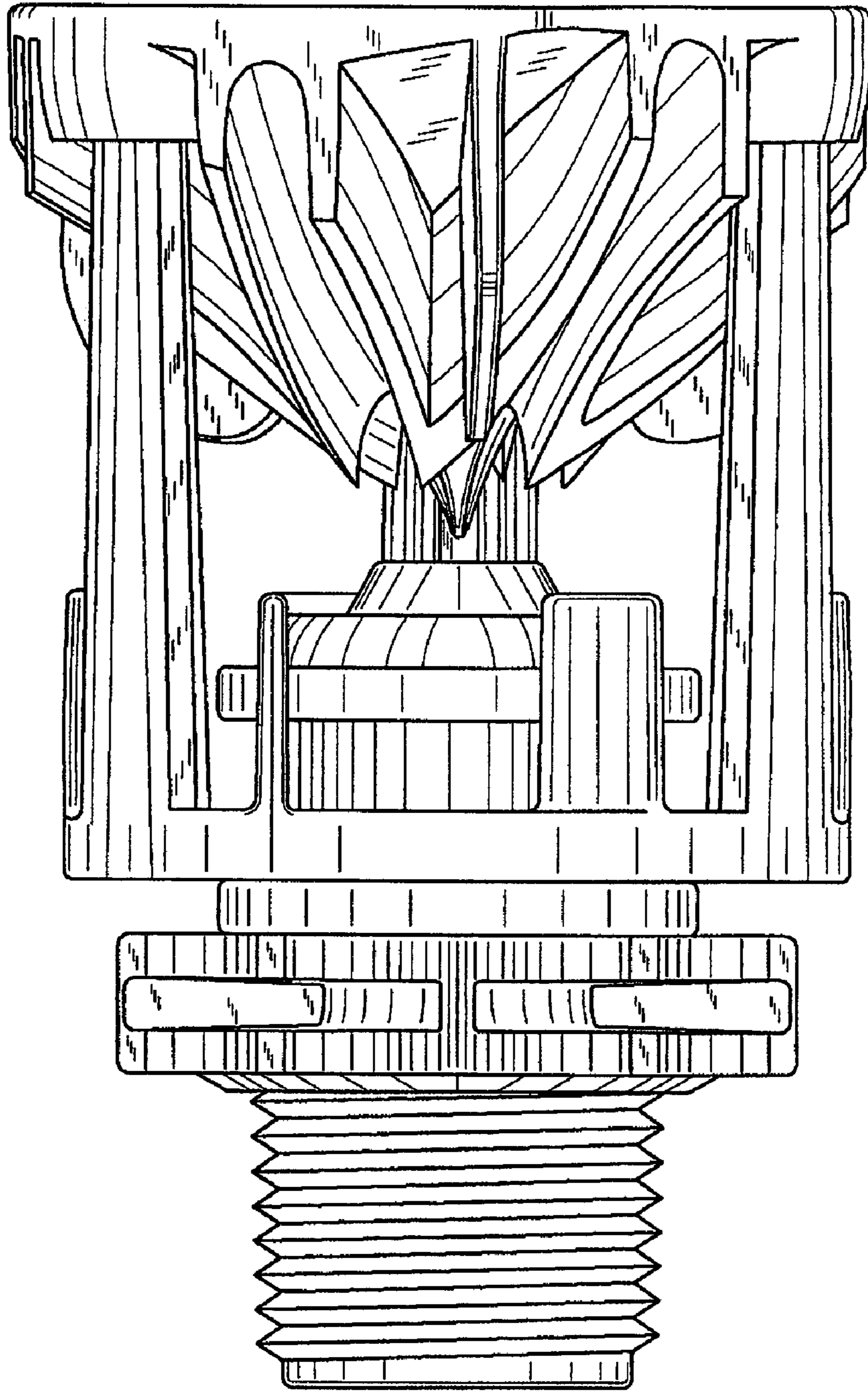


Fig. 1

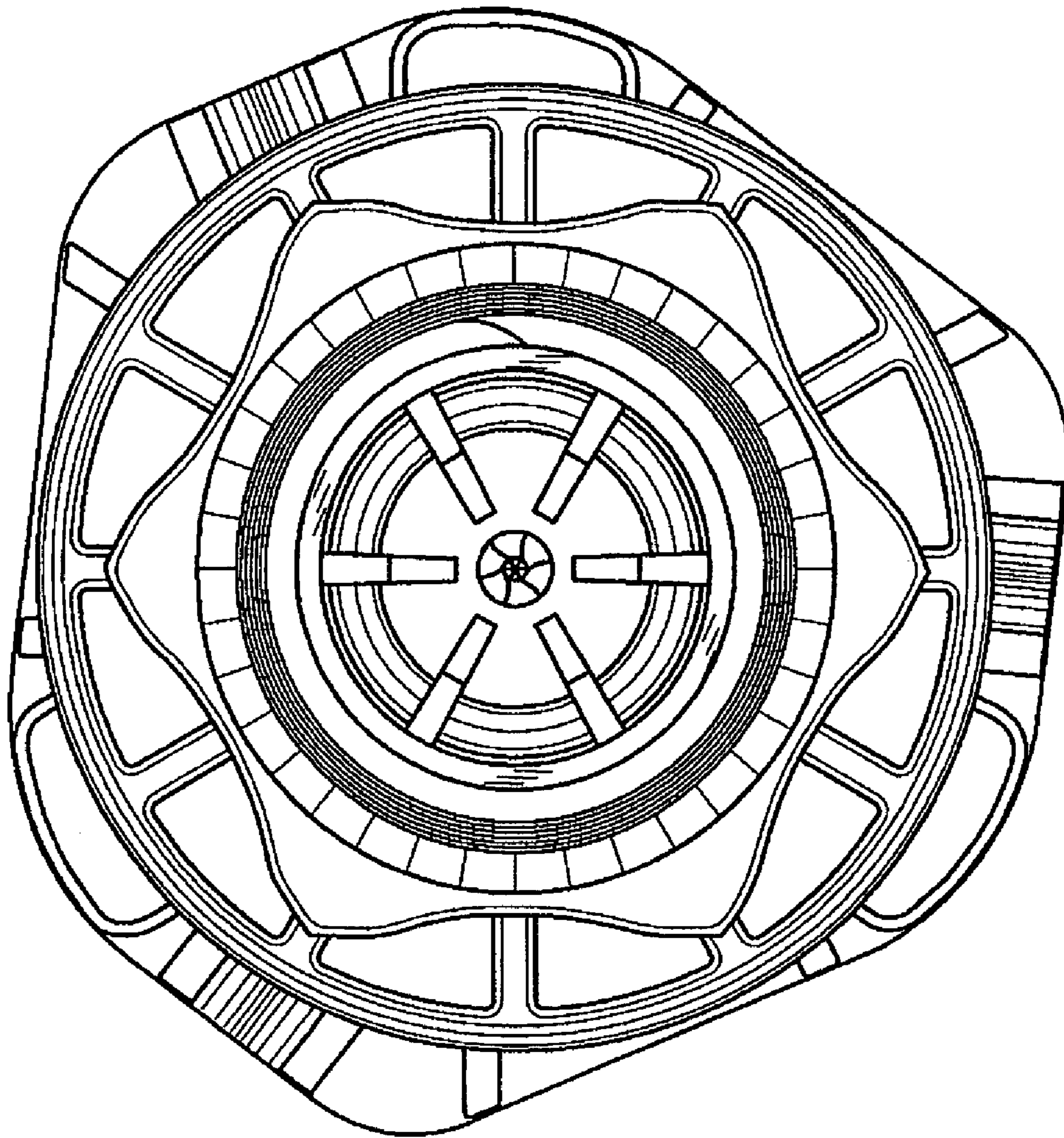


Fig.2

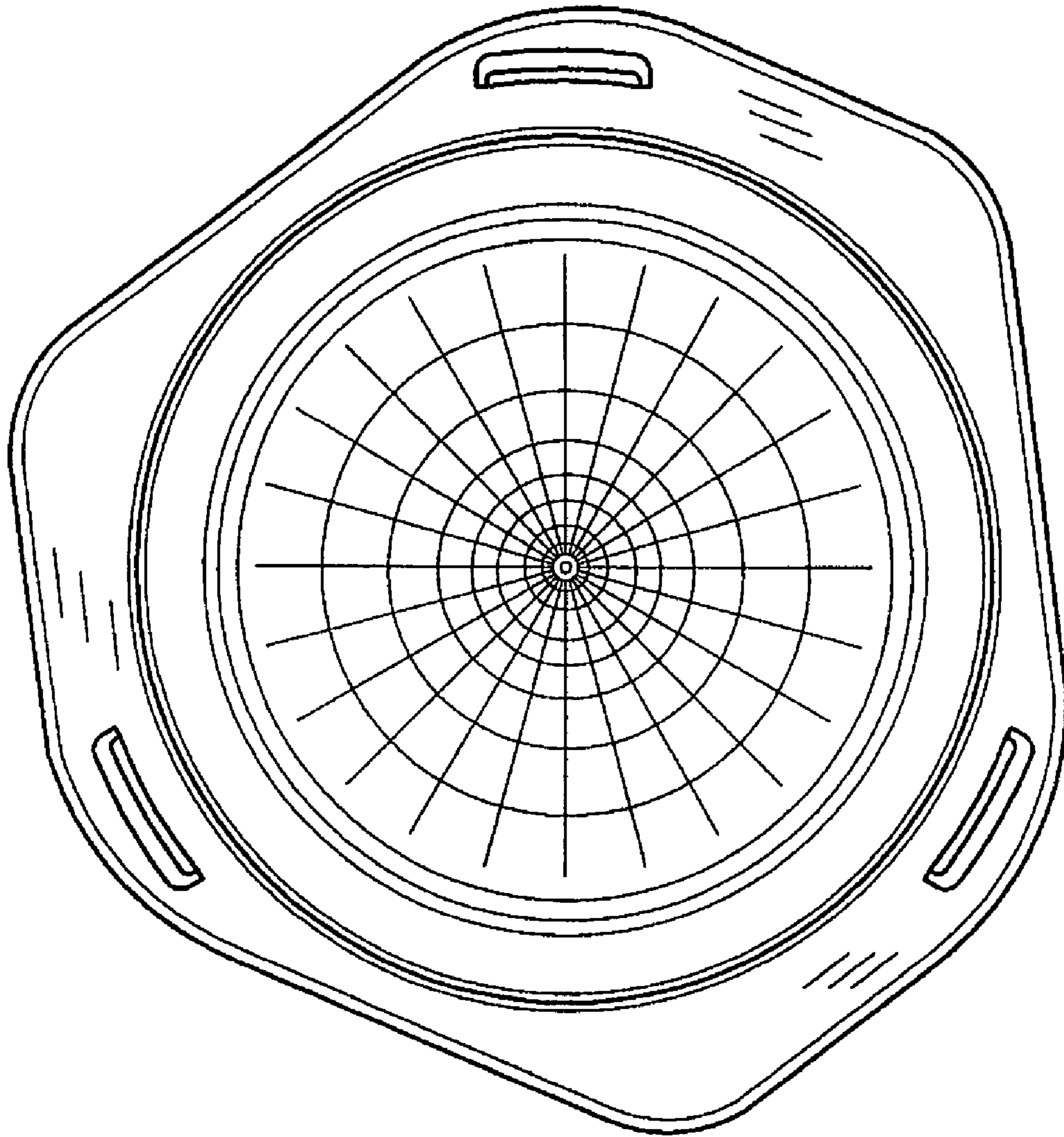


Fig.3

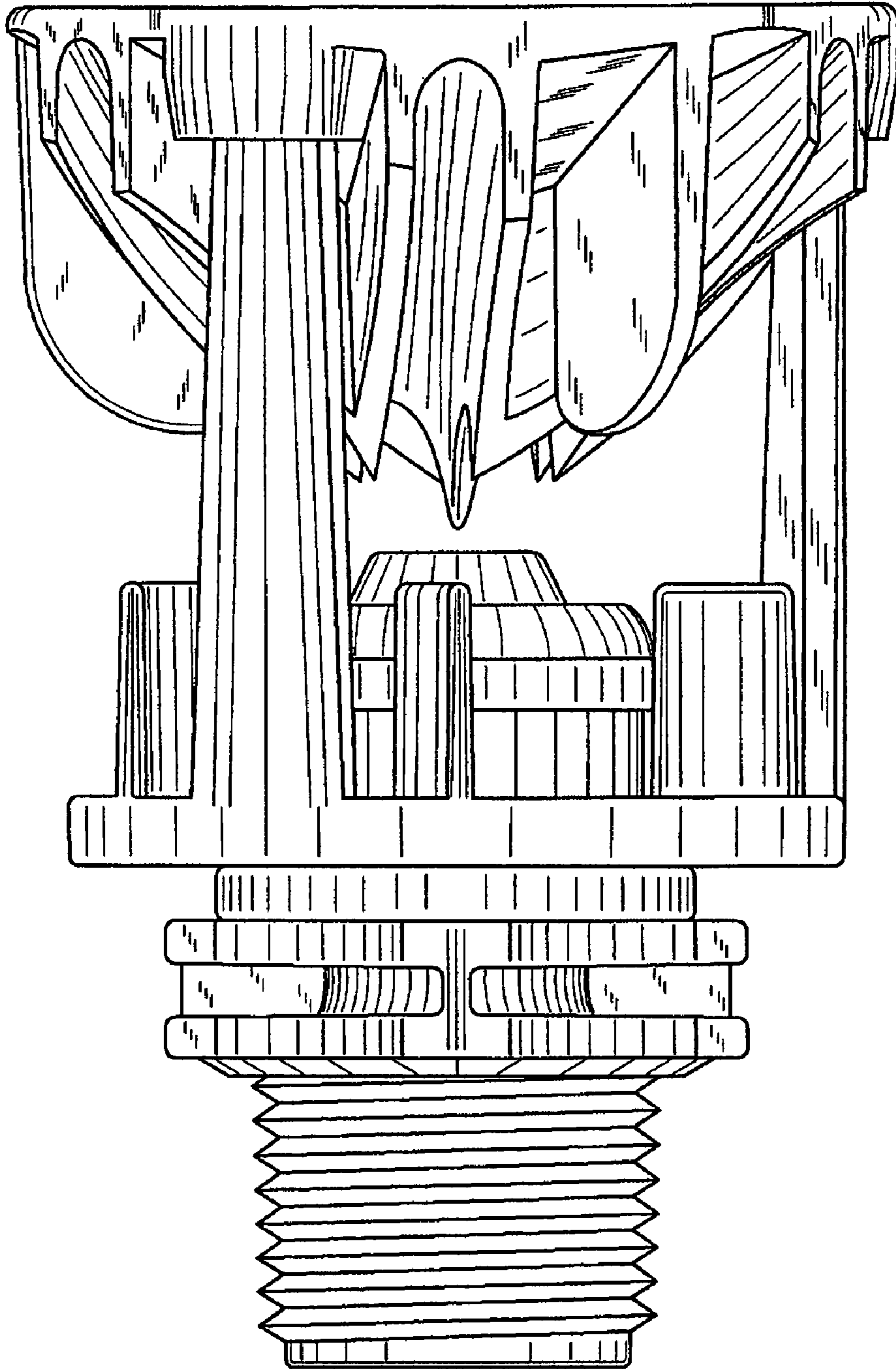


Fig.4

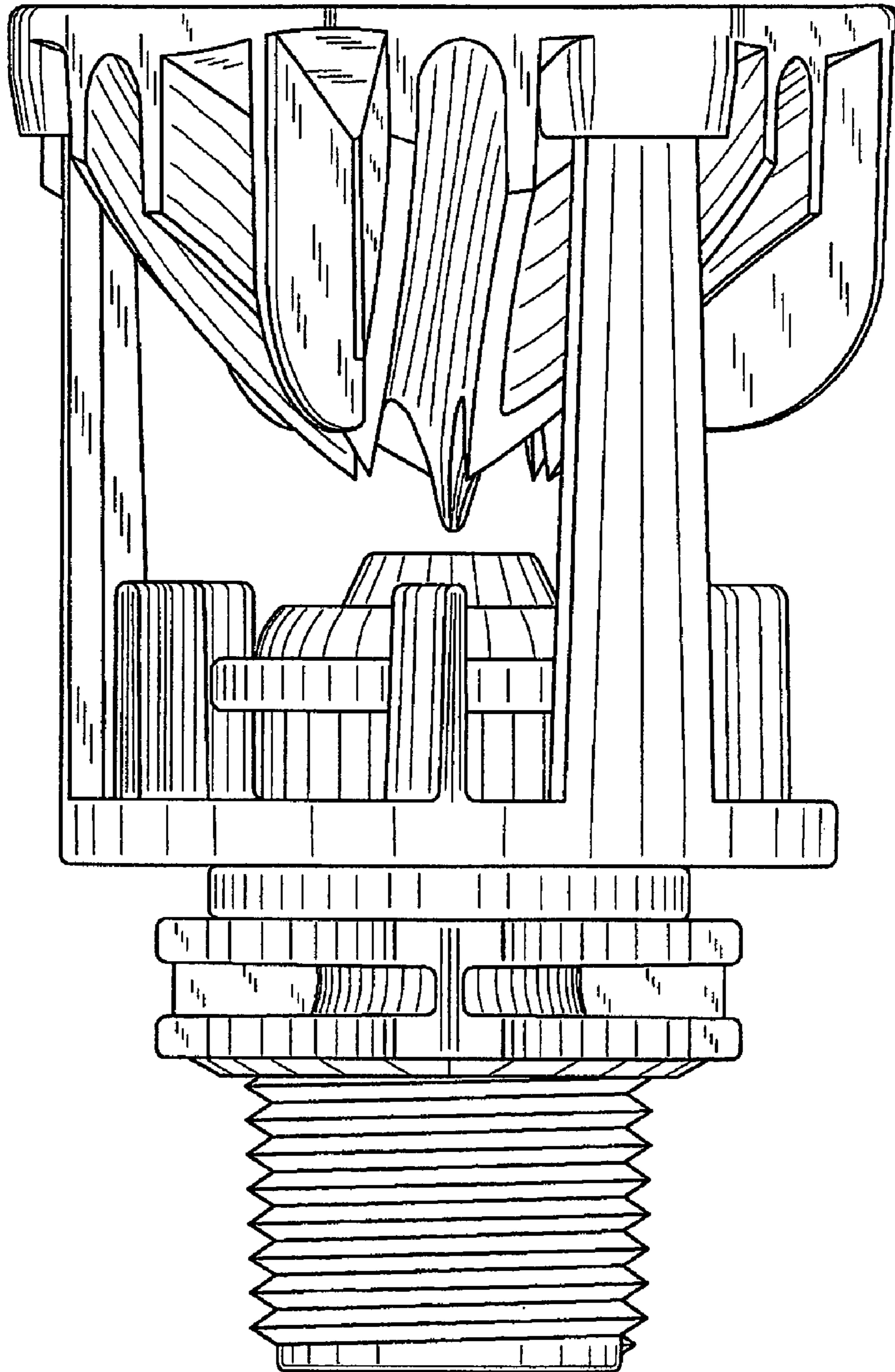


Fig.5

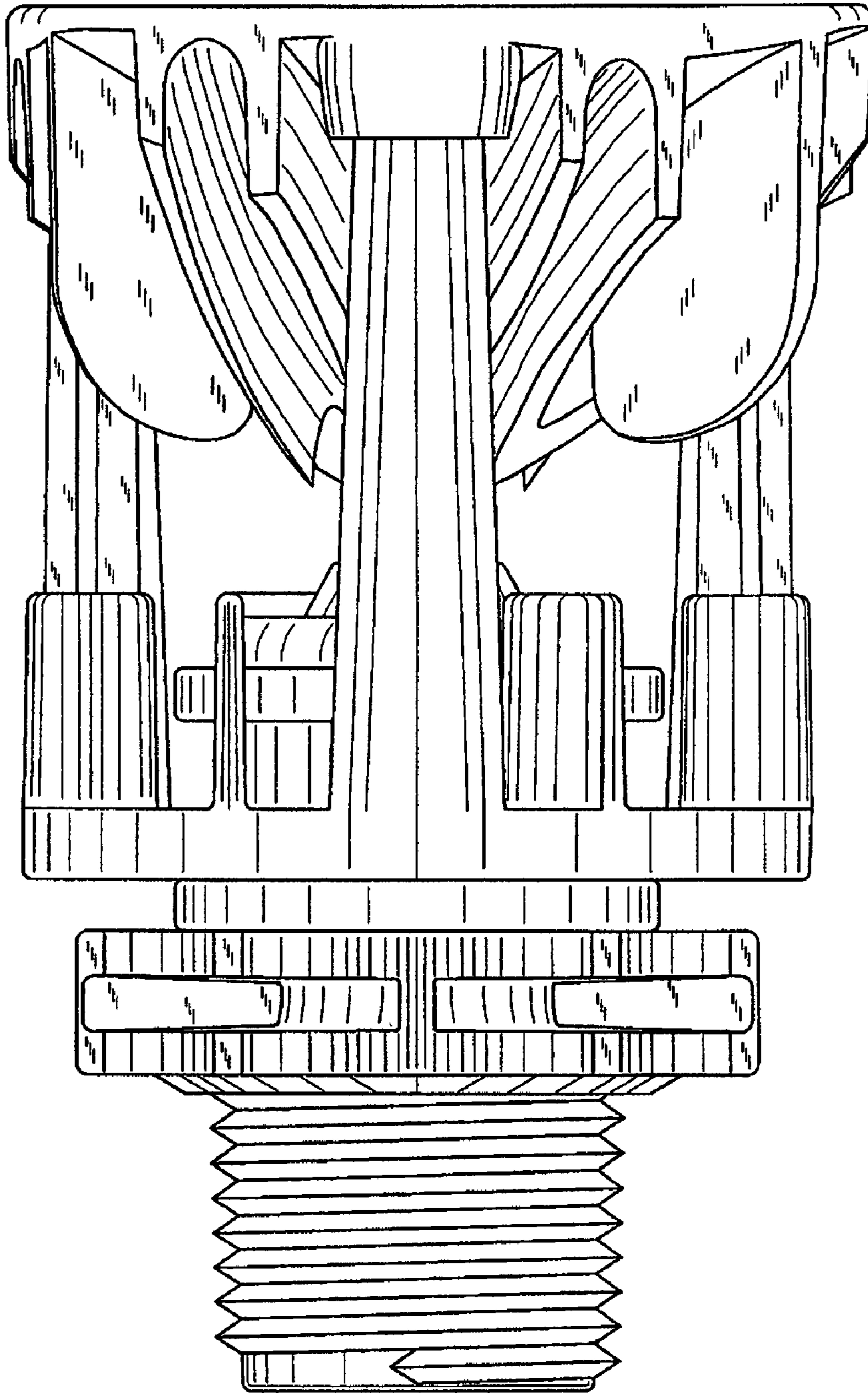


Fig.6

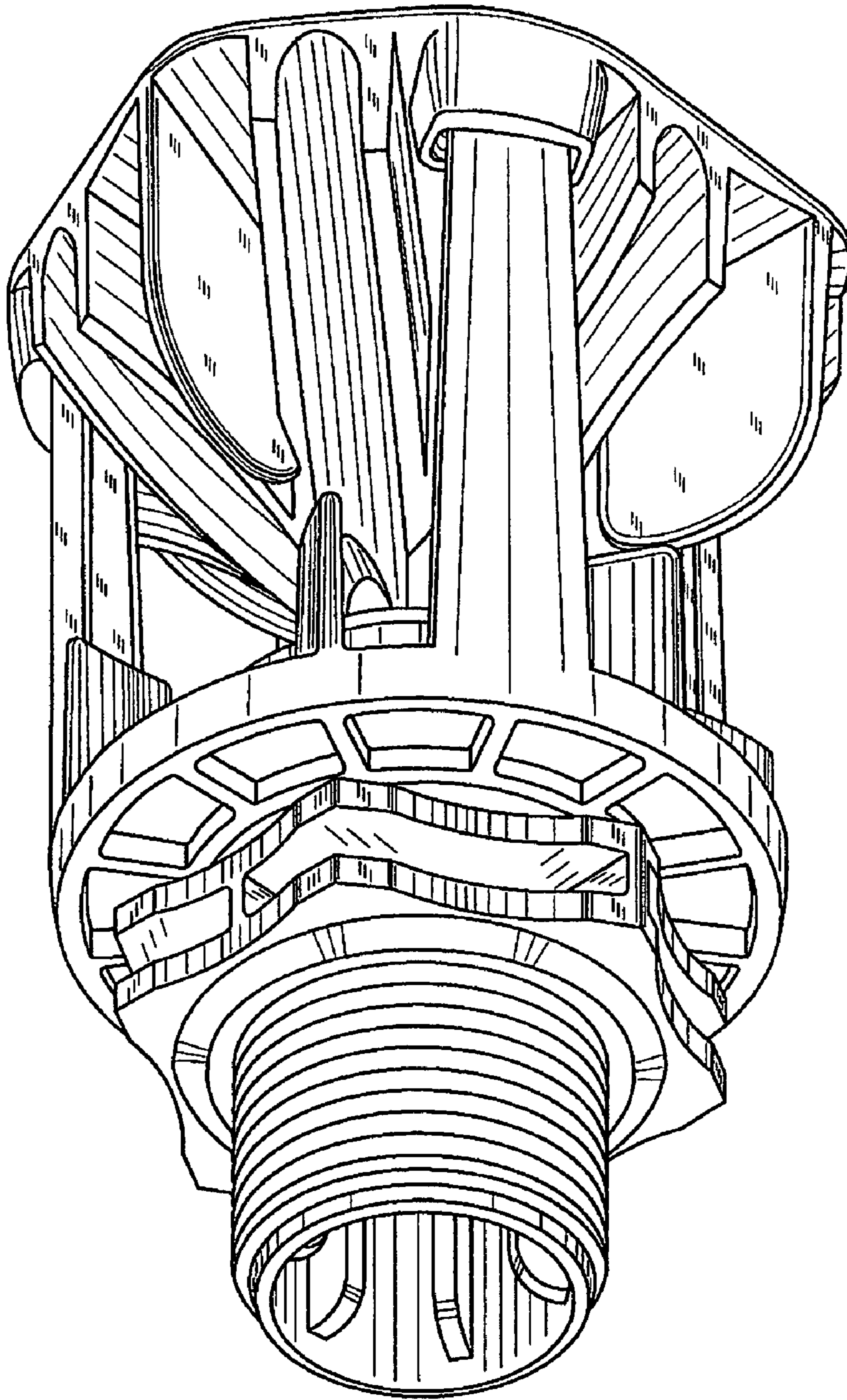


Fig. 7

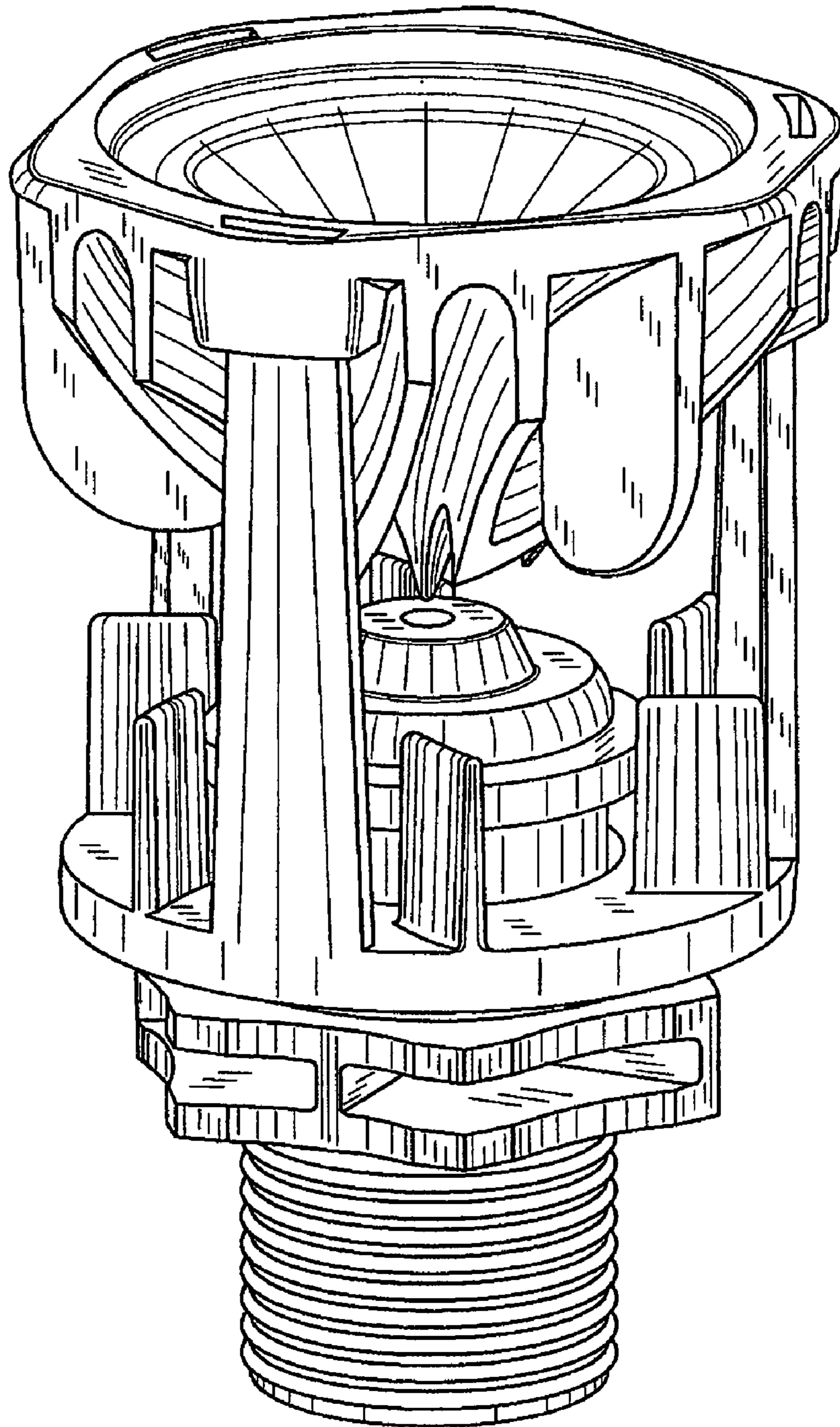


Fig.8