



US00D567328S

(12) **United States Design Patent**  
**Spangler et al.**

(10) **Patent No.:** **US D567,328 S**

(45) **Date of Patent:** **\*\* Apr. 22, 2008**

(54) **SHOWER HEAD**

(75) Inventors: **Anthony G. Spangler**, Carmel, IN (US); **Emilie Williams**, Fishers, IN (US)

(73) Assignee: **Masco Corporation of Indiana**, Indianapolis, IN (US)

(\*\*) Term: **14 Years**

(21) Appl. No.: **29/280,754**

(22) Filed: **Jun. 6, 2007**

(51) **LOC (8) Cl.** ..... **23-01**

(52) **U.S. Cl.** ..... **D23/213**

(58) **Field of Classification Search** ..... D23/213,  
D23/223, 226, 229-230; 239/394, 462, 282-3;  
4/615

See application file for complete search history.

(56) **References Cited**

**U.S. PATENT DOCUMENTS**

D346,428 S \* 4/1994 Warshawsky ..... D23/213  
D530,389 S \* 10/2006 Genslak et al. .... D23/213

D536,060 S \* 1/2007 Sadler ..... D23/213  
D552,713 S \* 10/2007 Rexach ..... D23/213  
D558,303 S \* 12/2007 Williams et al. .... D23/229

\* cited by examiner

*Primary Examiner*—Robin V Webster

(74) *Attorney, Agent, or Firm*—Leon E. Redman; Lloyd D. Doigan

(57) **CLAIM**

The ornamental design for a shower head, as shown and described.

**DESCRIPTION**

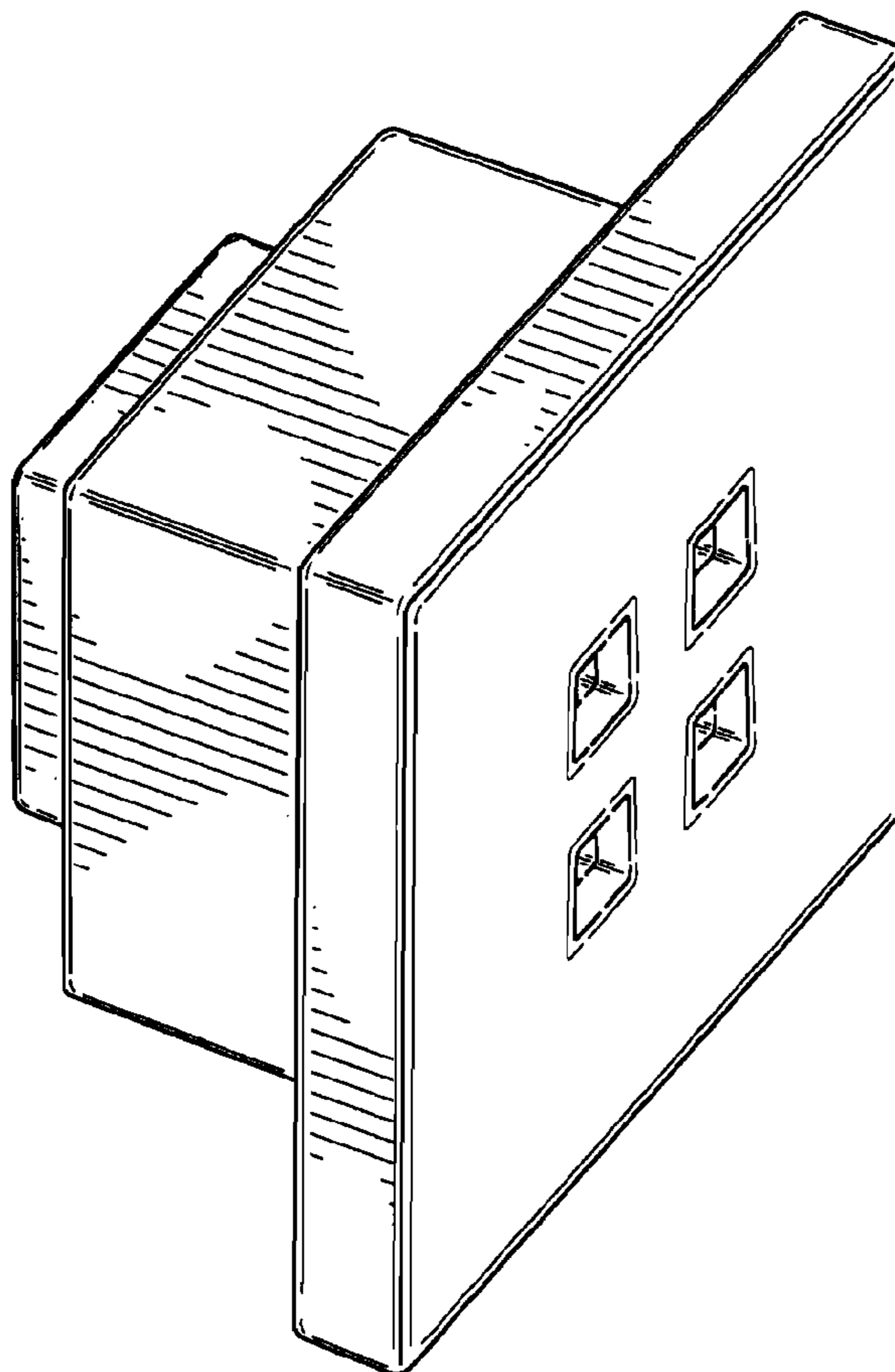
FIG. 1 is a front perspective view of a shower head showing our new design;

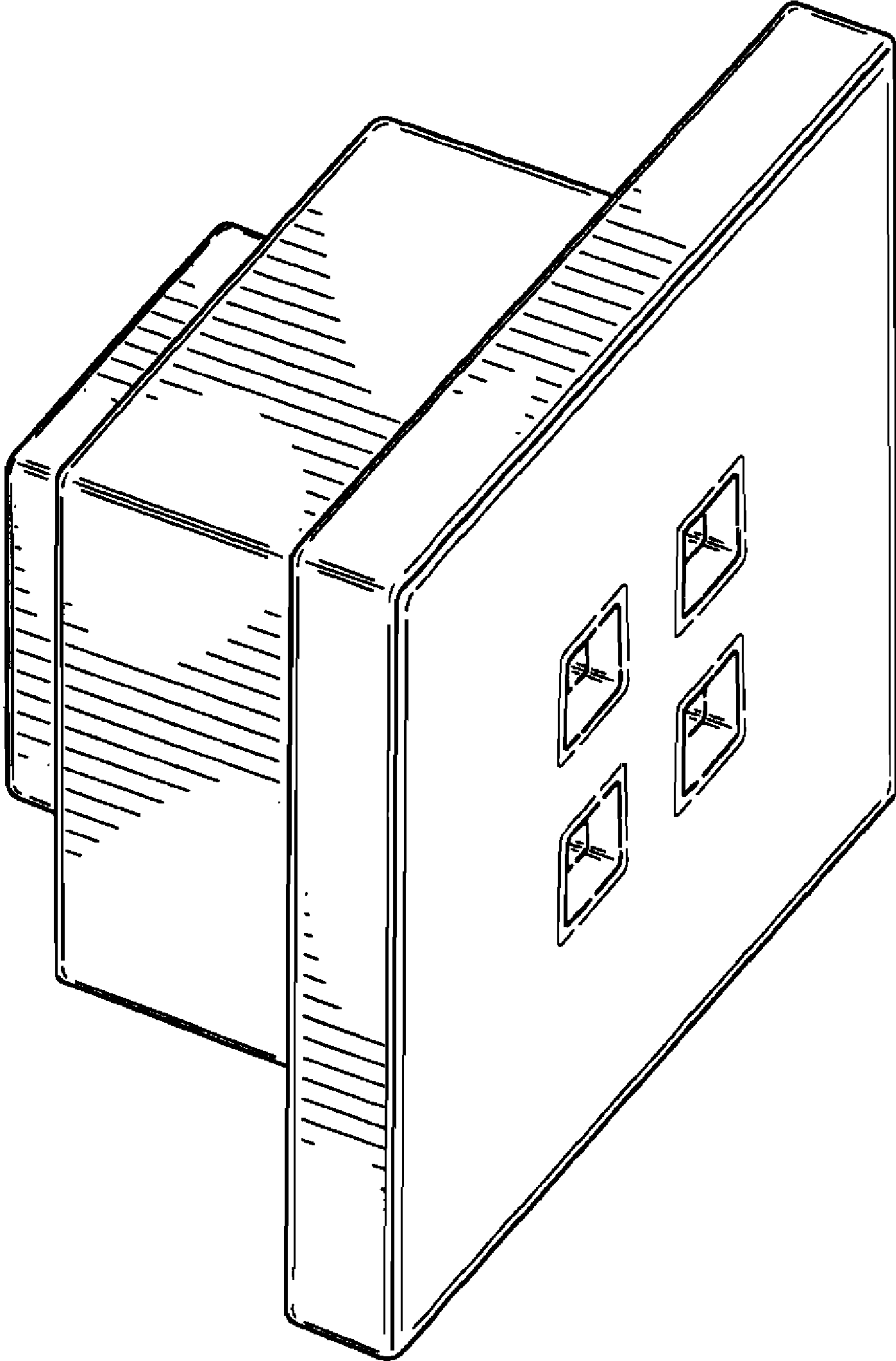
FIG. 2 is a right side elevational view thereof, the left side being a mirror image;

FIG. 3 is a top plan view thereof, the bottom plan view being a mirror image; and,

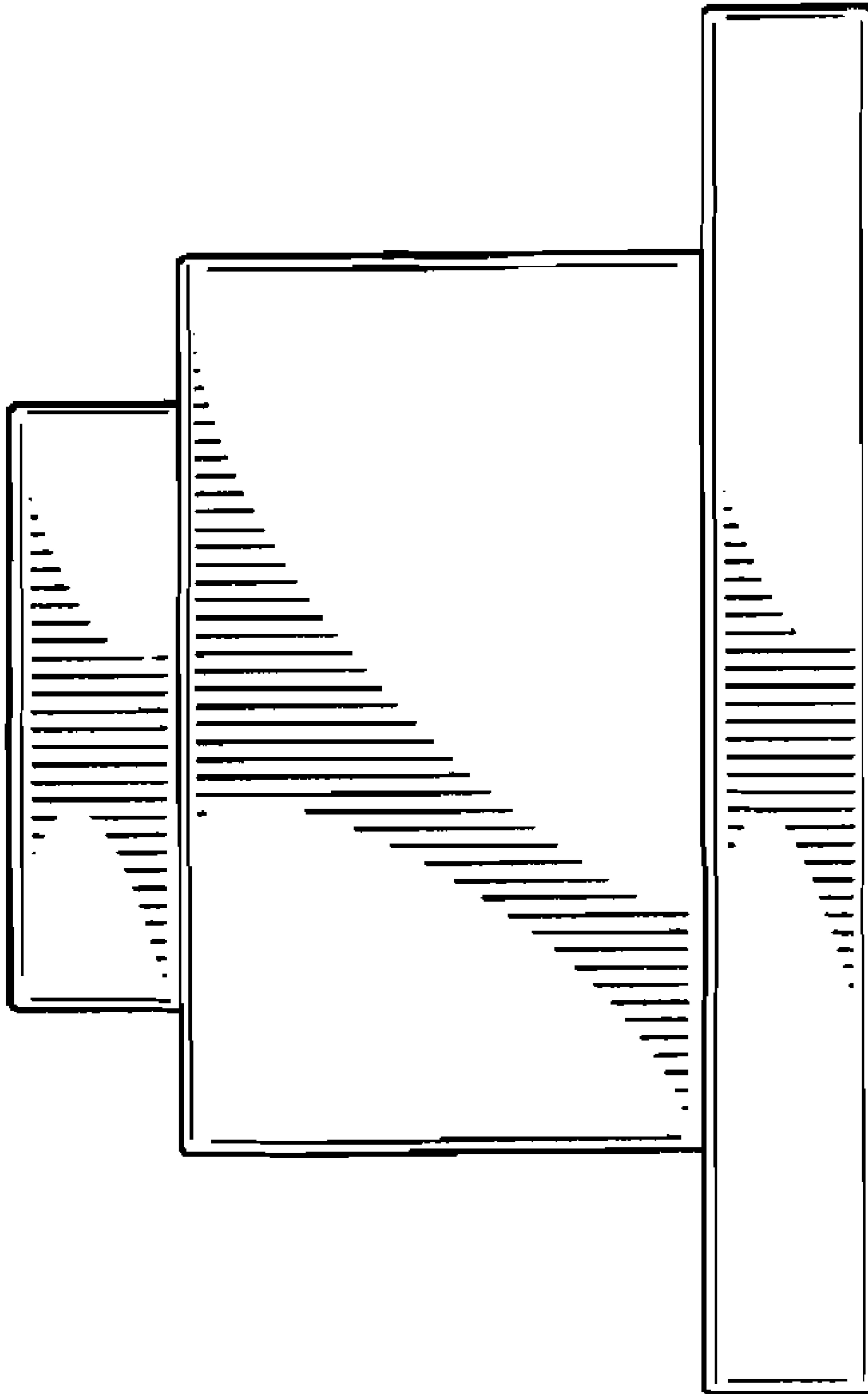
FIG. 4 is a front elevational view thereof.

**1 Claim, 4 Drawing Sheets**

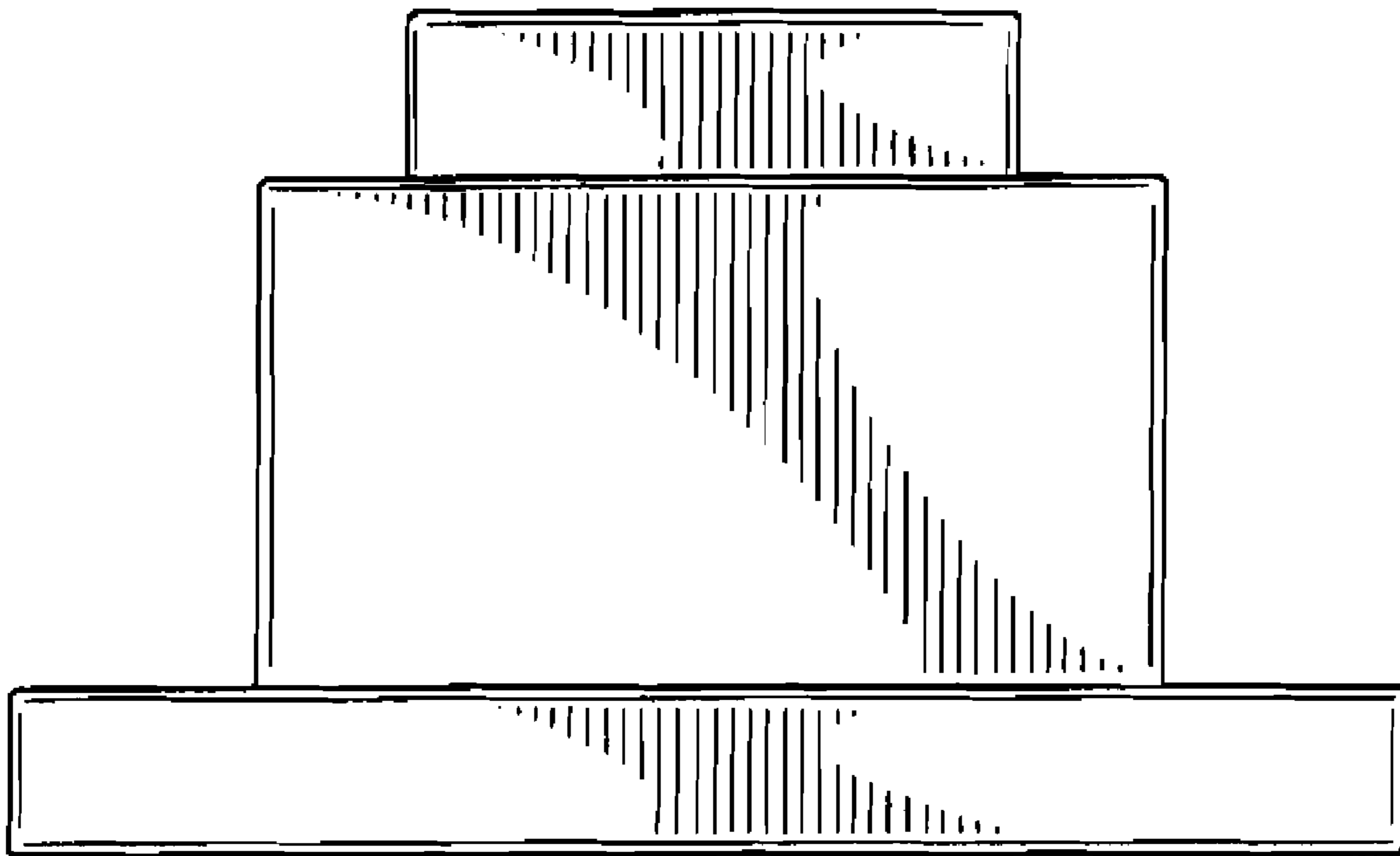




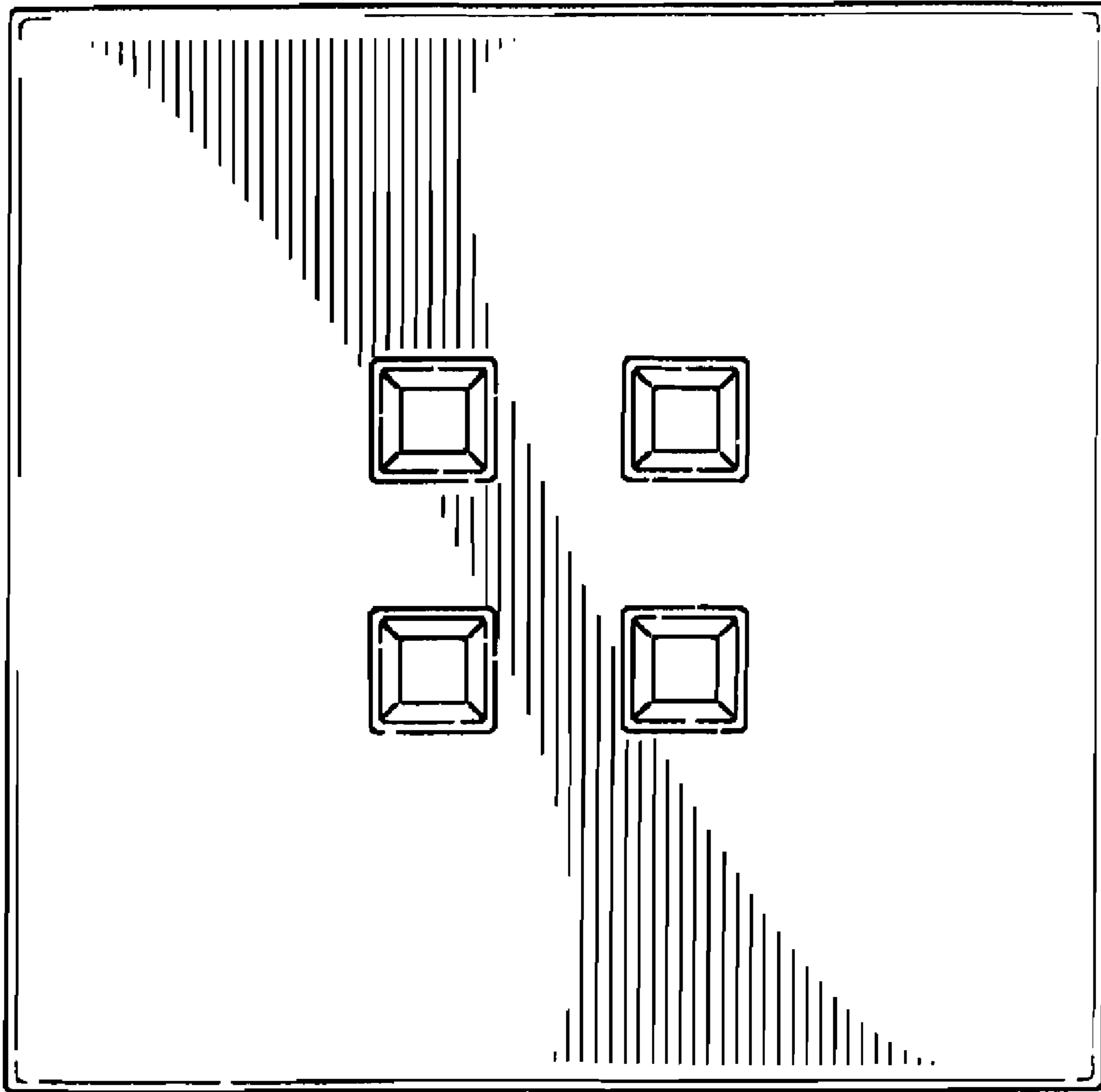
**FIG. 1**



**FIG. 2**



**FIG. 3**



**FIG. 4**