

US00D567323S

(12) **United States Design Patent**  
**Aagerup**

(10) **Patent No.:** **US D567,323 S**

(45) **Date of Patent:** **\*\* Apr. 22, 2008**

(54) **ANCHORING COMPONENT**

(75) Inventor: **Carsten Aagerup**, Slangerup (DK)

(73) Assignee: **Danish Anchor System ApS** (DK)

(\*\*) Term: **14 Years**

(21) Appl. No.: **29/254,605**

(22) Filed: **Feb. 24, 2006**

(30) **Foreign Application Priority Data**

Aug. 25, 2005 (EM) ..... 000399670

(51) **LOC (8) Cl.** ..... **21-04**

(52) **U.S. Cl.** ..... **D21/840**

(58) **Field of Classification Search** ..... D21/840;  
D8/303, 354, 356, 388; 52/155-163; 405/19  
See application file for complete search history.

(56) **References Cited**

**U.S. PATENT DOCUMENTS**

1,002,350	A *	9/1911	Wilcox	.....	52/163
3,080,024	A *	3/1963	Clevett	.....	52/155
D222,983	S *	2/1972	Simpson	.....	D21/840
3,888,057	A *	6/1975	Zubke	.....	52/163
4,003,169	A *	1/1977	Young, II	.....	52/155
4,688,360	A *	8/1987	Luong et al.	.....	52/166
4,802,317	A *	2/1989	Chandler	.....	52/163

D309,095	S *	7/1990	Holley	.....	D8/356
D332,819	S *	1/1993	Crowe	.....	D21/840
5,322,386	A *	6/1994	Trangsrud	.....	405/19
D415,018	S *	10/1999	Uhler	.....	D21/840
D420,891	S *	2/2000	Trangsrud	.....	D8/354
D493,205	S *	7/2004	Combes	.....	D21/840

\* cited by examiner

*Primary Examiner*—Holly H. Baynham

*Assistant Examiner*—Cynthia M. Chin

(74) *Attorney, Agent, or Firm*—Fitch, Even, Tabin & Flannery

(57) **CLAIM**

The ornamental design for an anchoring component, as shown and described.

**DESCRIPTION**

FIG. 1 is a perspective view of the anchoring component showing my new design in an open position;

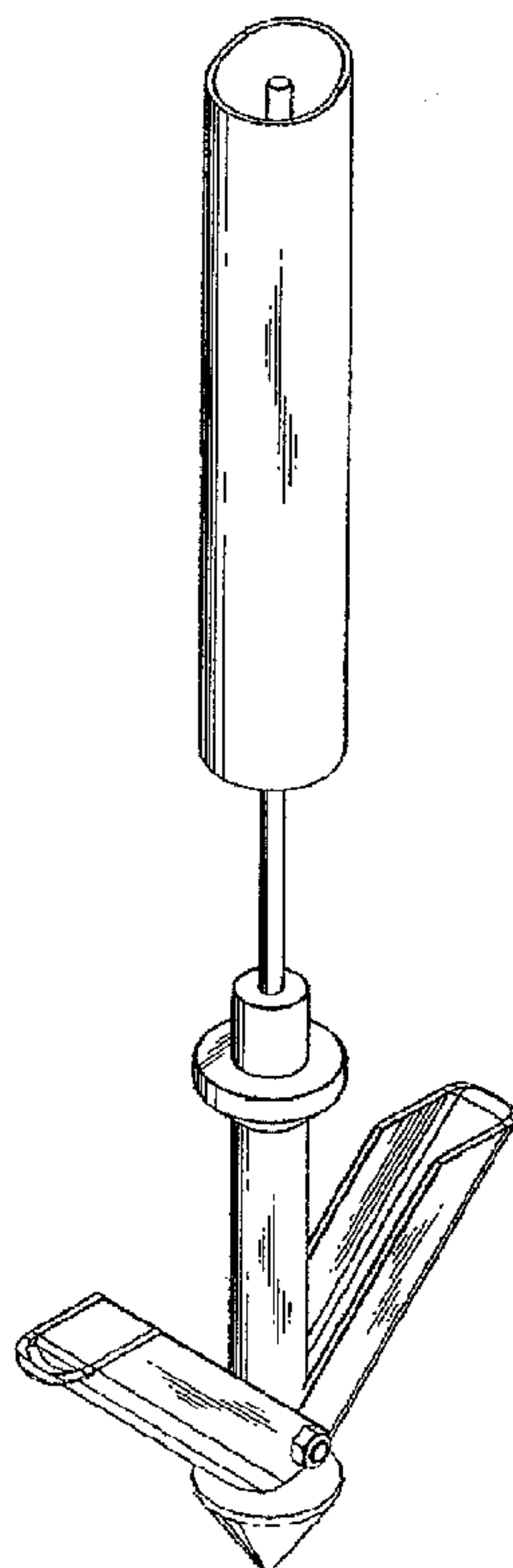
FIG. 2 is another perspective view thereof in a partially open position;

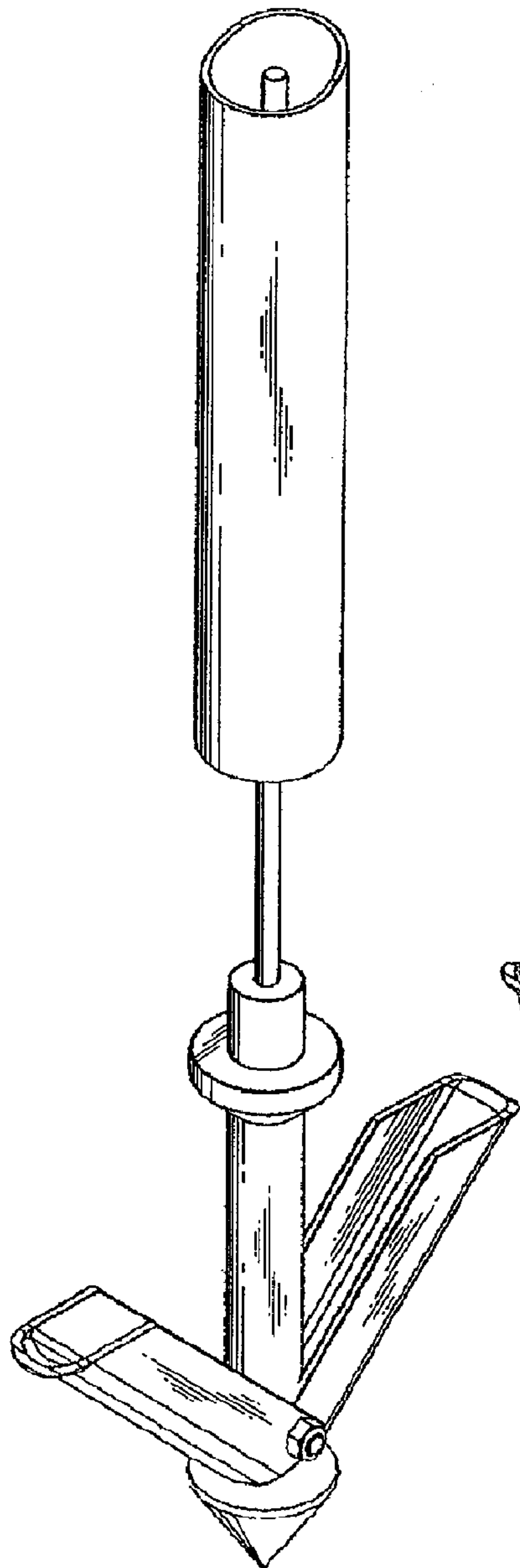
FIG. 3 is yet another perspective view thereof in a closed position;

FIG. 4 is a side elevational view thereof; and,

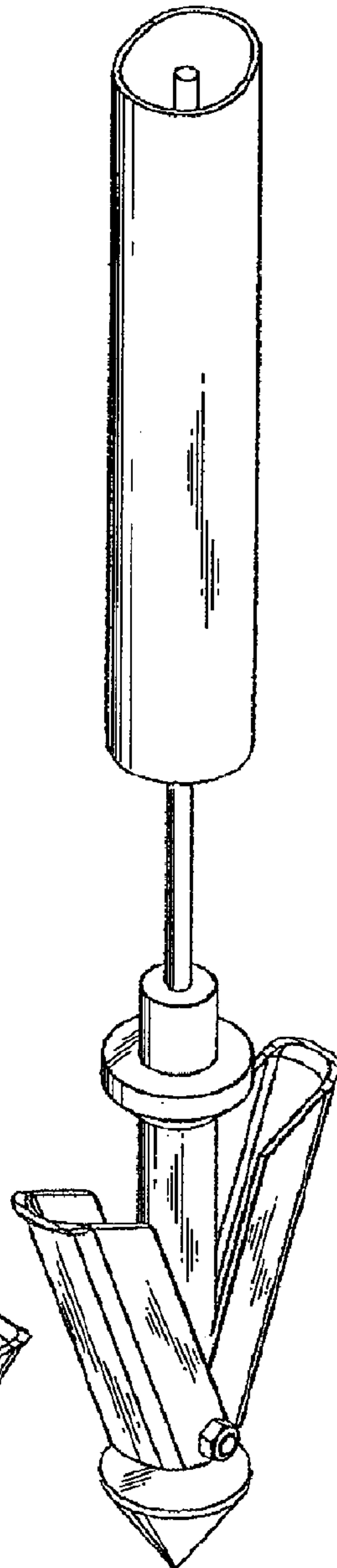
FIG. 5 is a top view thereof.

**1 Claim, 2 Drawing Sheets**

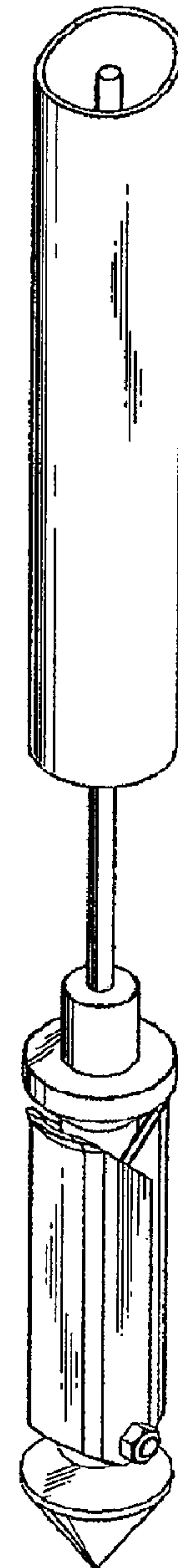




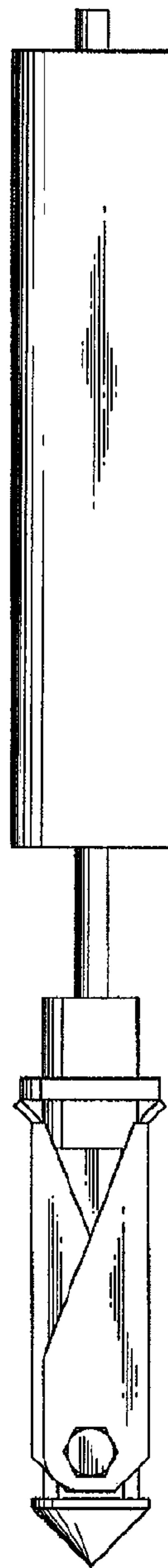
**Fig. 1**



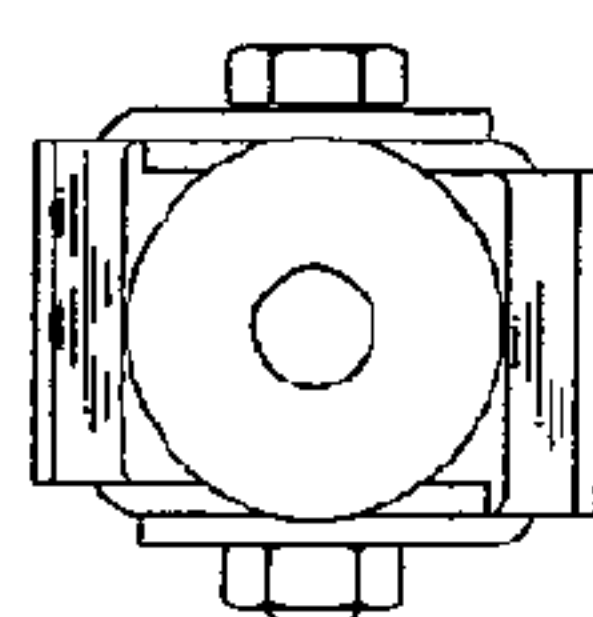
**Fig. 2**



**Fig. 3**



**Fig. 4**



**Fig. 5**