



US00D567316S

(12) **United States Design Patent**
Sabin et al.

(10) **Patent No.: US D567,316 S**

(45) **Date of Patent: ** Apr. 22, 2008**

(54) **AUTOMATIC BALL SETTING DEVICE**

(57) **CLAIM**

(76) Inventors: **Paul Chandler Sabin**, 14 Hunnewell St., Needham, MA (US) 02494; **Gerd Schmieta**, 20 Holyoke St., #1, Boston, MA (US) 02166

The ornamental design for an automatic ball setting device, as shown and described.

(**) Term: **14 Years**

DESCRIPTION

(21) Appl. No.: **29/267,511**

The product is design to set a golf ball in a specified place, either on a tee or on a hitting surface. A golf club is used to actuate the arm which will allow a single ball to roll down the arm to the specified place. After that ball is hit the process may be repeated until using the balls stored in the device.

(22) Filed: **Oct. 17, 2006**

(51) **LOC (8) Cl. 21-02**

(52) **U.S. Cl. D21/720**

(58) **Field of Classification Search** D21/715, D21/717, 720, 789, 796; D6/515, 552; 473/132-137
See application file for complete search history.

FIG. 1 is a side and top perspective view of an automatic ball setting device showing our new design;

(56) **References Cited**

U.S. PATENT DOCUMENTS

| | | | |
|----------------|---------|--------------------|---------|
| D174,347 S * | 3/1955 | Parker et al. | D21/720 |
| 4,995,614 A * | 2/1991 | Tange | 473/137 |
| D345,665 S * | 4/1994 | Luther | D6/552 |
| D348,497 S * | 7/1994 | Tange | D21/720 |
| 5,674,130 A * | 10/1997 | Egan | 473/132 |
| 6,328,659 B1 * | 12/2001 | Peterson | 473/137 |
| 6,585,603 B2 * | 7/2003 | Montalvo | 473/136 |
| 6,685,575 B1 * | 2/2004 | Anderson | 473/136 |
| 6,997,816 B2 * | 2/2006 | Gager | 473/137 |

FIG. 2 is a side and top perspective view with the movable arm in the down position;

FIG. 3 is a front view thereof;

FIG. 4 is a side view thereof;

FIG. 5 is a back view thereof;

FIG. 6 is a top view thereof; and,

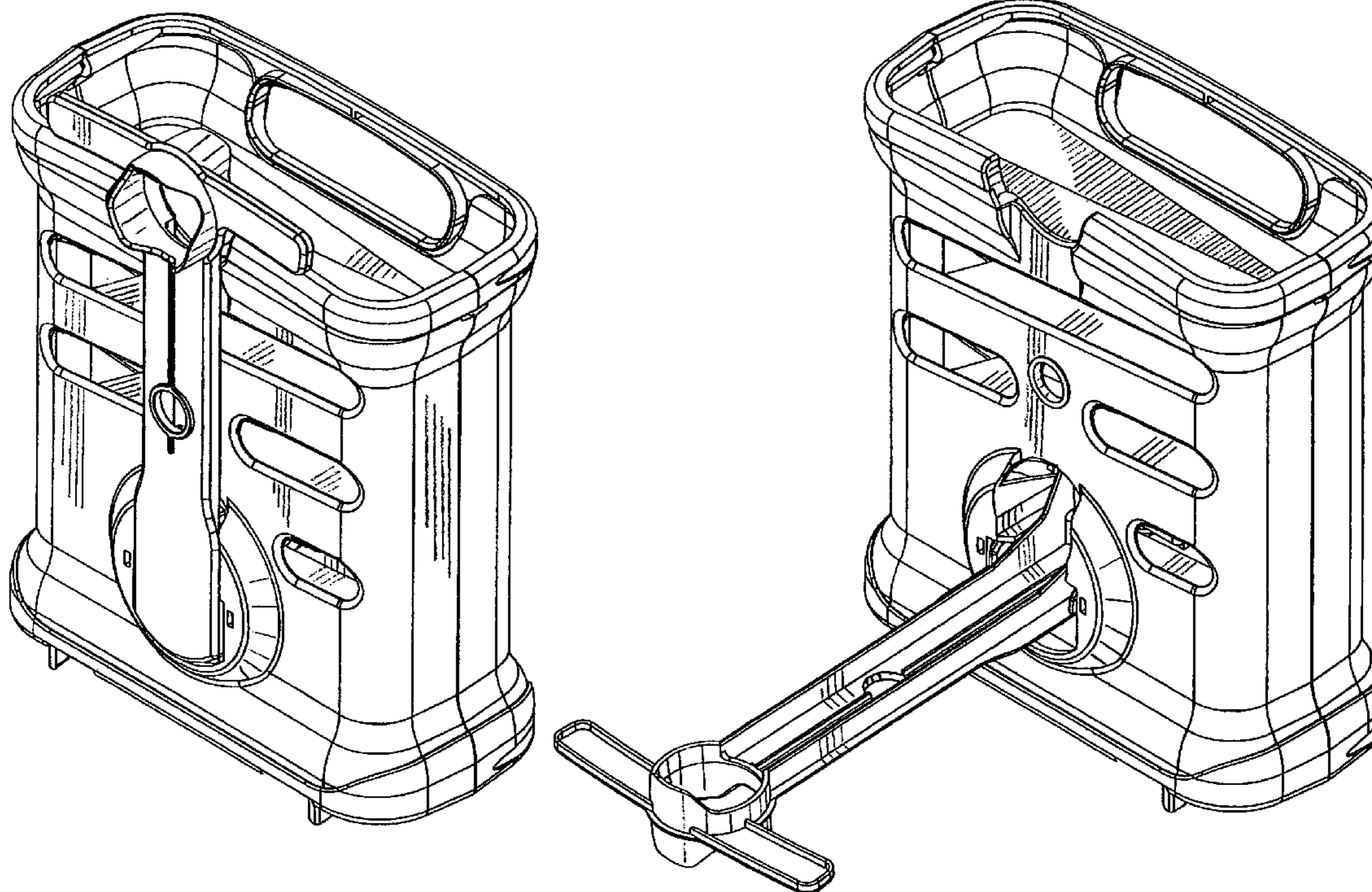
FIG. 7 is a top view with the movable arm in the down position.

The broken lines in FIG. 5 are included for the purpose of illustrating portions of the article that form no part of the claimed design.

* cited by examiner

Primary Examiner—Catherine Tuttle

1 Claim, 6 Drawing Sheets



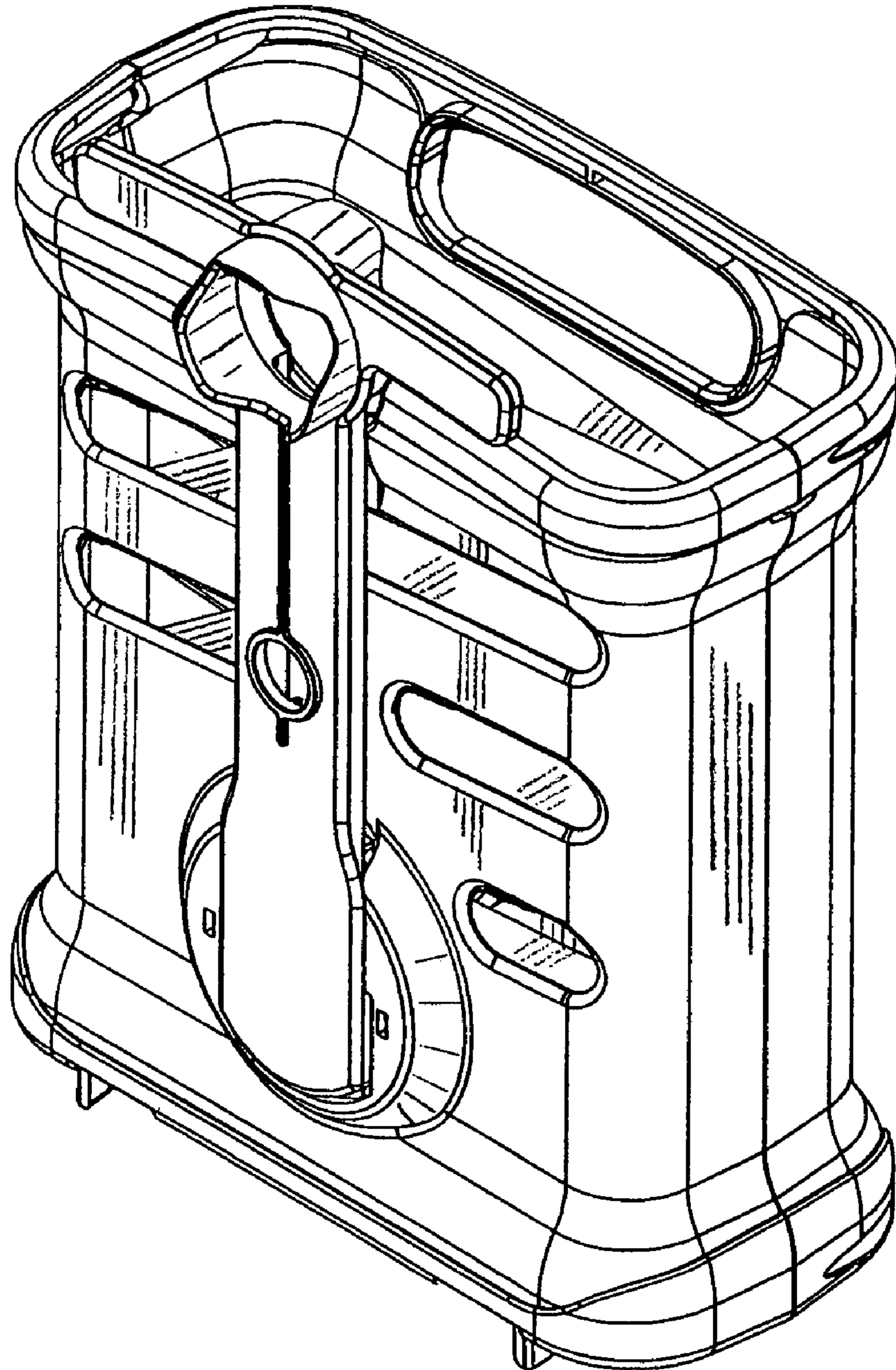


Fig. 1

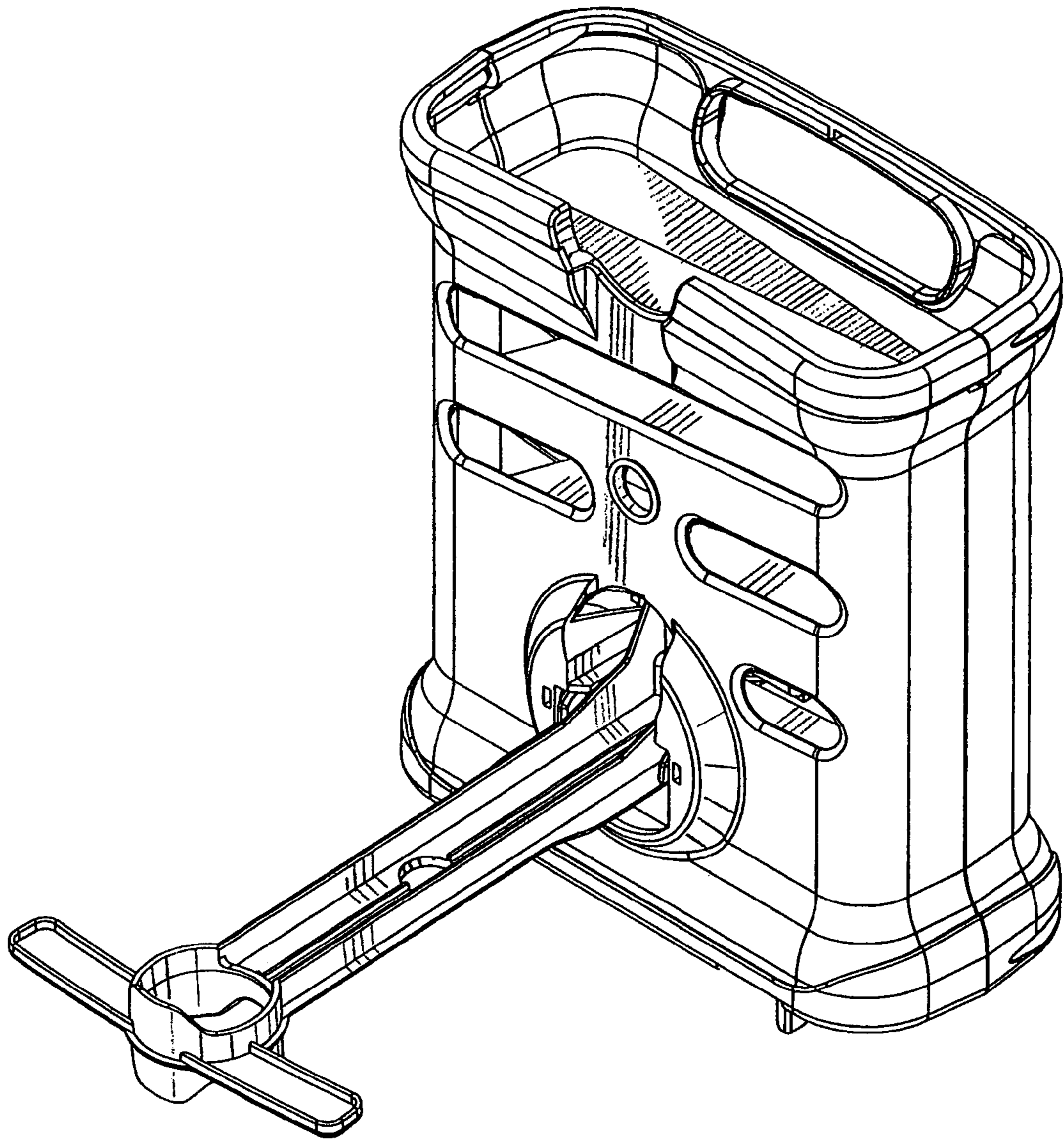


Fig. 2

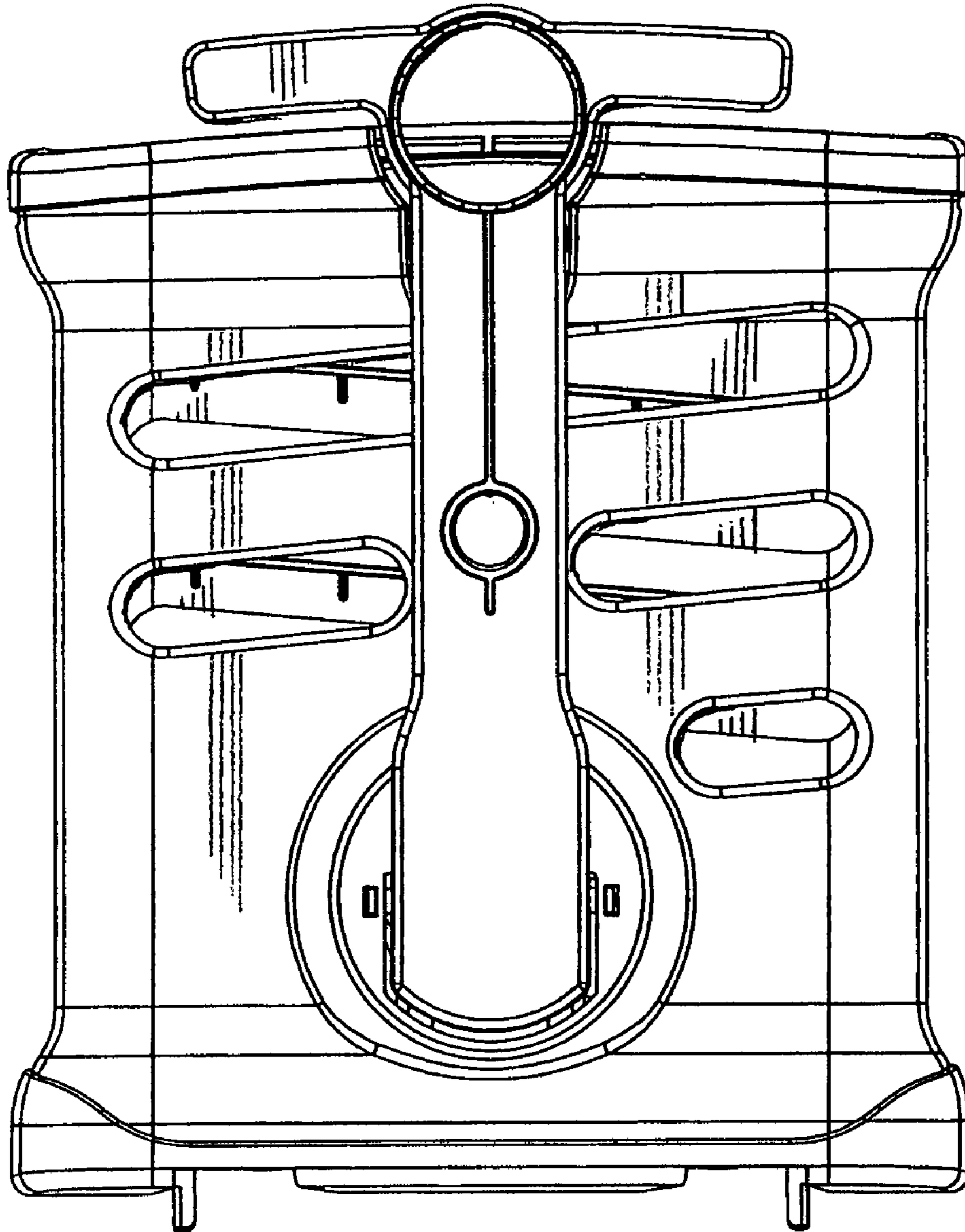


Fig. 3

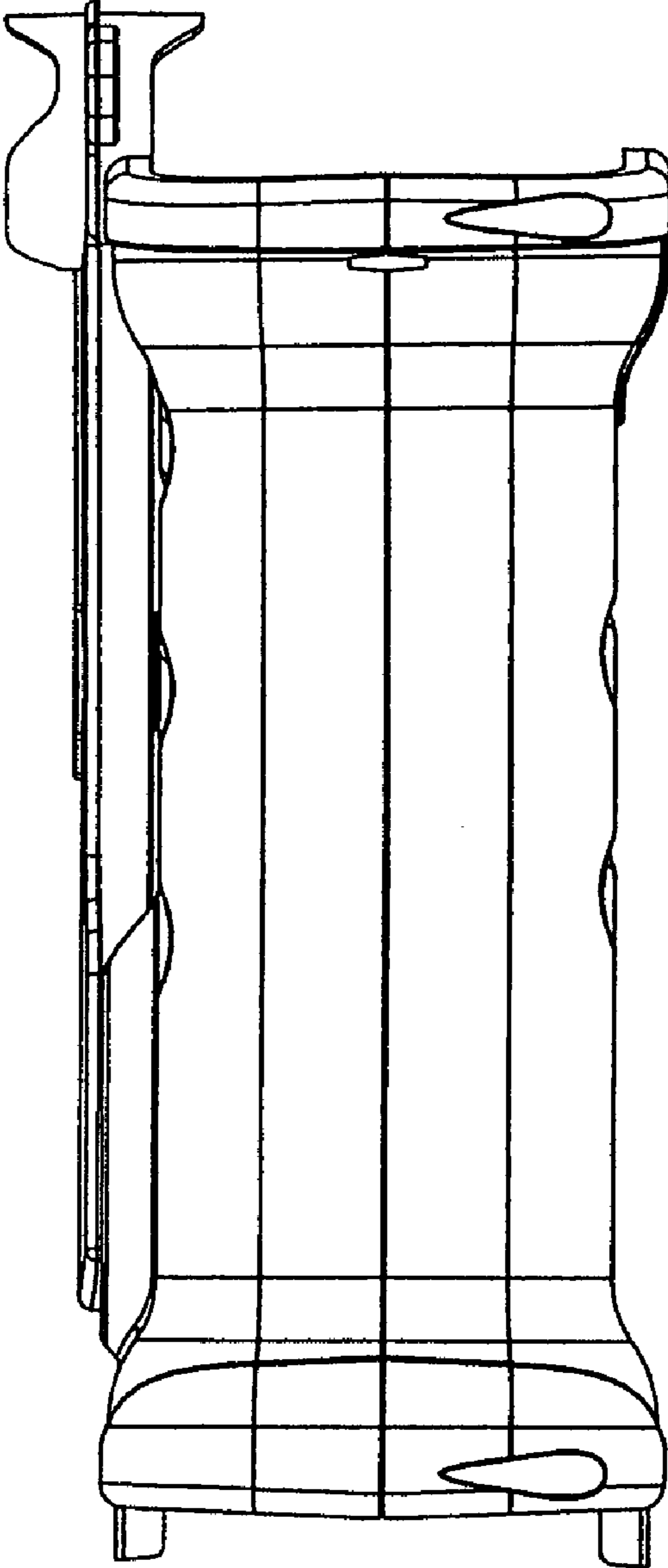


Fig. 4

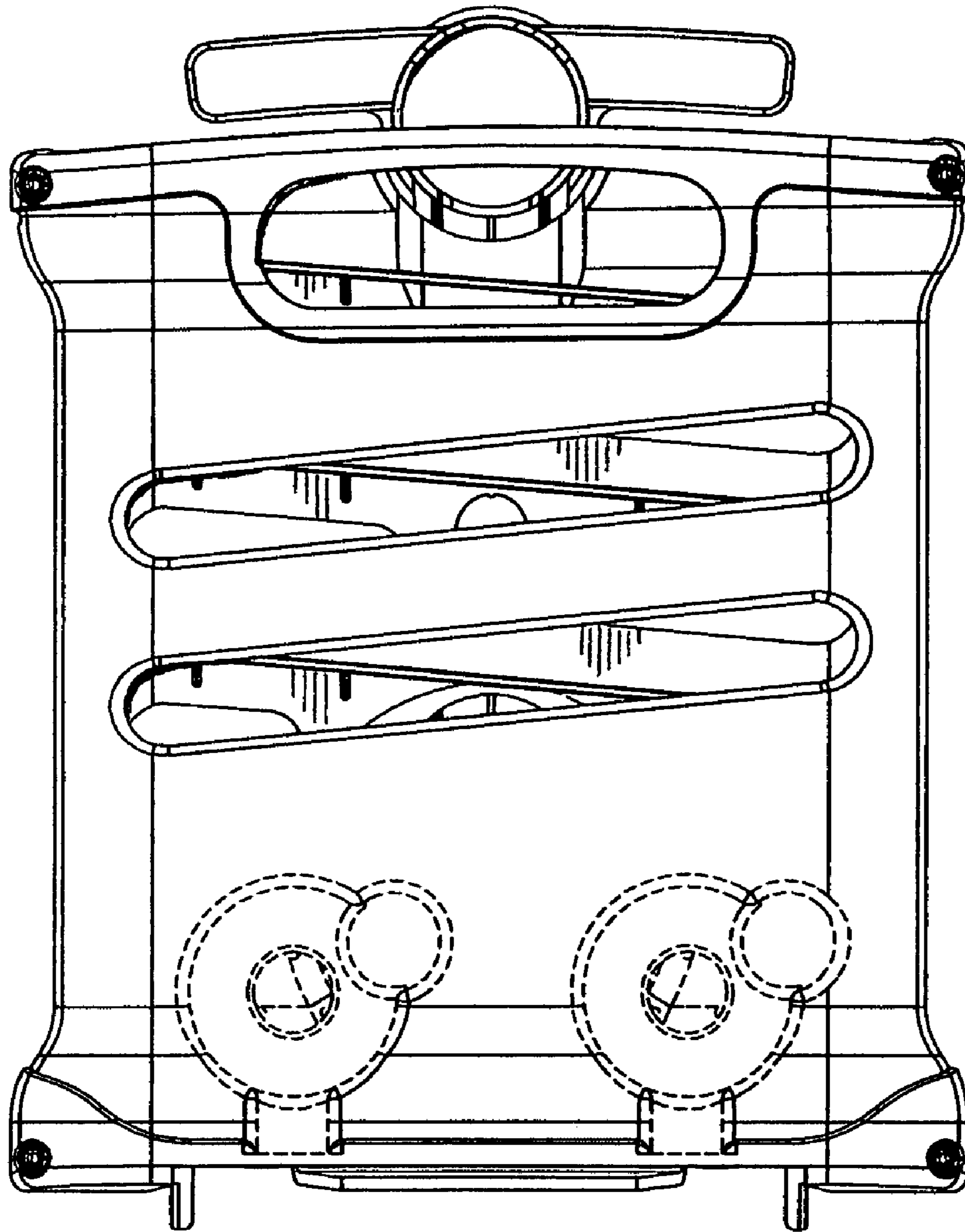


Fig. 5

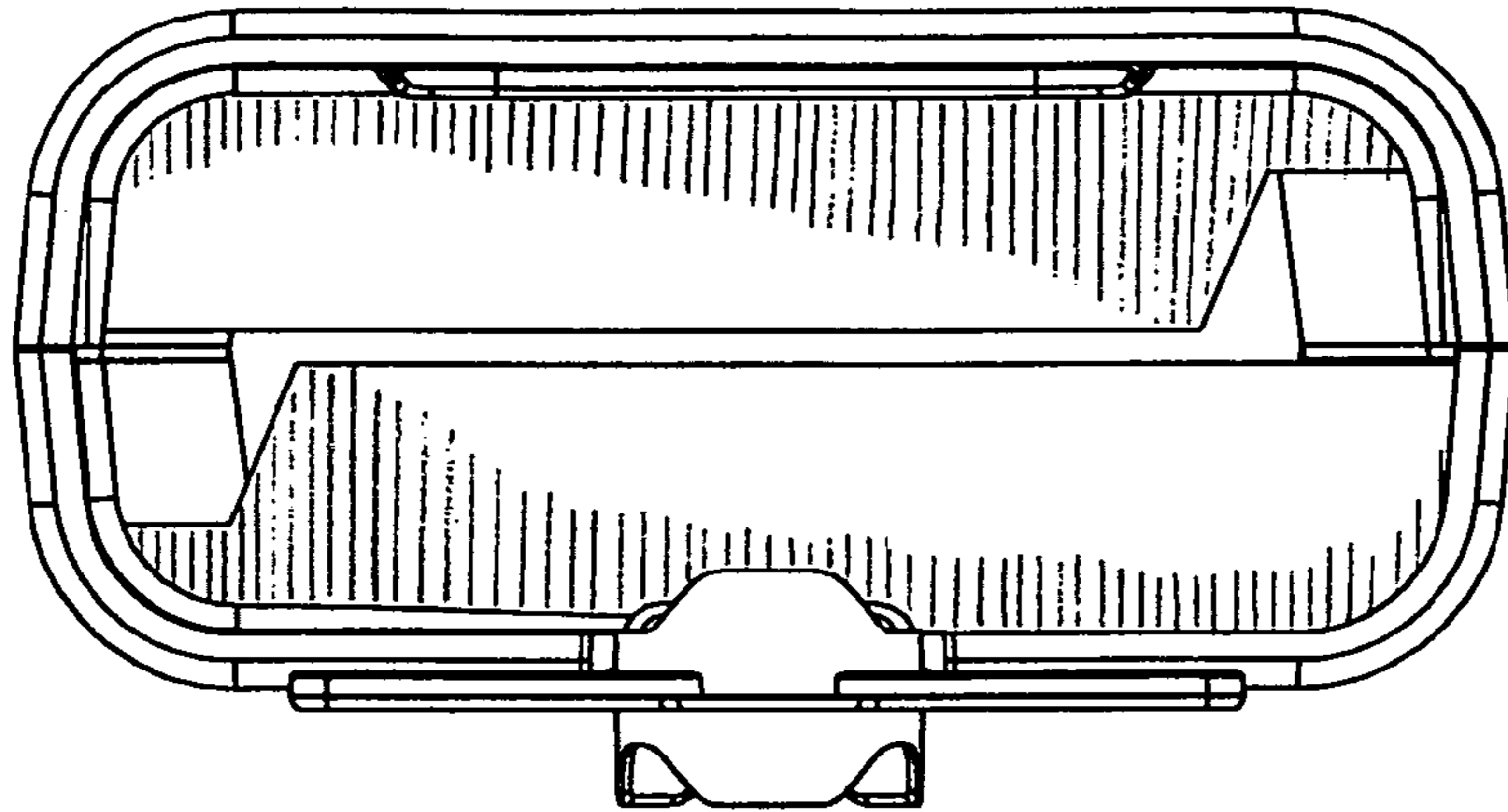


Fig. 6

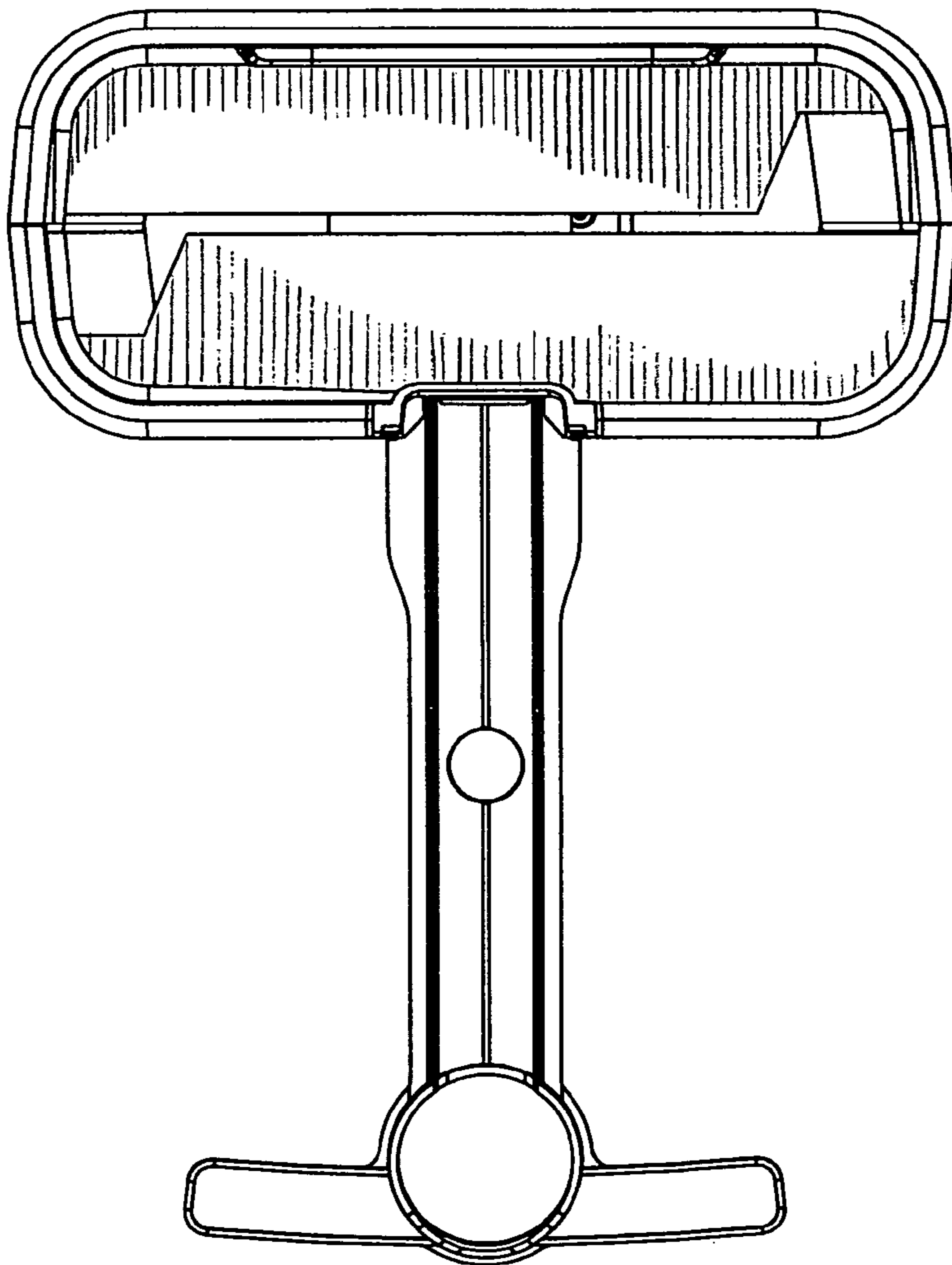


Fig. 7