



US00D567315S

(12) **United States Design Patent** (10) **Patent No.:** **US D567,315 S**  
**Horita** (45) **Date of Patent:** **\*\* Apr. 22, 2008**

(54) **PANEL AND SUPPORT FOR AN EXERCISE DEVICE**

(75) Inventor: **Sean Horita**, Seattle, WA (US)

(73) Assignee: **Precor Incorporated**, Woodinville, WA (US)

(\*\*) Term: **14 Years**

(21) Appl. No.: **29/270,582**

(22) Filed: **Dec. 28, 2006**

(51) **LOC (8) Cl.** ..... **21-02**

(52) **U.S. Cl.** ..... **D21/696; D21/694**

(58) **Field of Classification Search** ..... D21/662-663, D21/665-671, 673, 686, 690-691, 694, 696-697; 482/51-52, 54, 57, 66, 68, 70, 72, 79, 80  
See application file for complete search history.

(56) **References Cited**

**U.S. PATENT DOCUMENTS**

4,512,567	A	4/1985	Phillips	.....	272/73
4,637,605	A	1/1987	Ritchie	.....	272/73
4,976,435	A	12/1990	Shatford et al.	.....	273/148
5,364,271	A	11/1994	Aknin et al.	.....	434/61
5,591,104	A	1/1997	Andrus et al.	.....	482/7
5,603,675	A *	2/1997	Wu	.....	482/52
5,645,513	A	7/1997	Haydocy et al.	.....	482/57
5,779,596	A	7/1998	Weber	.....	482/4
5,792,027	A *	8/1998	Gvoich	.....	482/51
5,888,172	A	3/1999	Andrus et al.	.....	482/7
5,984,839	A	11/1999	Corkum	.....	482/54
6,152,856	A	11/2000	Studor et al.	.....	482/8
6,238,321	B1 *	5/2001	Arnold et al.	.....	482/52
6,447,424	B1	9/2002	Ashby et al.	.....	482/8
D464,688	S *	10/2002	May et al.	.....	D21/668
D465,000	S *	10/2002	Arnold et al.	.....	D21/668
D494,645	S *	8/2004	Otomi et al.	.....	D21/662
D526,031	S *	8/2006	Corbalis et al.	.....	D21/663
D531,683	S *	11/2006	Choi et al.	.....	D21/696
7,153,239	B1 *	12/2006	Stearns et al.	.....	482/52
7,276,017	B2 *	10/2007	Chen	.....	482/52
2001/0053735	A1	12/2001	Cohen et al.	.....	482/902
2002/0128112	A1	9/2002	Hanatani	.....	475/349

2003/0171190	A1	9/2003	Rice	.....	482/57
2004/0014566	A1	1/2004	Kao	.....	482/8
2004/0236774	A1	11/2004	Baird et al.	.....	707/100
2005/0124466	A1	6/2005	Rodgers, Jr.	.....	482/52
2005/0124467	A1	6/2005	Rodgers, Jr.	.....	482/52
2006/0116247	A1 *	6/2006	Dyer et al.	.....	482/52
2007/0161464	A1 *	7/2007	Chiles et al.	.....	482/52
2007/0197345	A1 *	8/2007	Wallace et al.	.....	482/8
2007/0225121	A1 *	9/2007	Olason et al.	.....	482/8
2007/0232457	A1 *	10/2007	Porth	.....	482/51

**OTHER PUBLICATIONS**

AMT™ 100i at PRECOR™ USA.com Products. Downloaded Feb. 4, 2008 at <http://www.precor.com/comm/en/amt/amt100i/>.\*

\* cited by examiner

*Primary Examiner*—Philip Hyder

*Assistant Examiner*—Roselynn Cody

(74) *Attorney, Agent, or Firm*—Terence P. O'Brien

(57) **CLAIM**

I claim the ornamental design for a panel and support for an exercise device, as shown and described.

**DESCRIPTION**

FIG. 1 is a front side perspective view of a panel and support for an exercise device;

FIG. 2 is a top view of the panel and support of FIG. 1;

FIG. 3 is a first side view of the panel and support of FIG. 1;

FIG. 4 is a second side view of the panel and support of FIG. 1;

FIG. 5 is a front view of the panel and support of FIG. 1; and,

FIG. 6 is a rear view of the panel and support of FIG. 1.

The ornamental design that is claimed is shown in solid lines in the drawings. The broken (dashed) lines shown in the drawings are included for the purpose of illustrating environmental elements only and form no part of the claimed design.

**1 Claim, 5 Drawing Sheets**

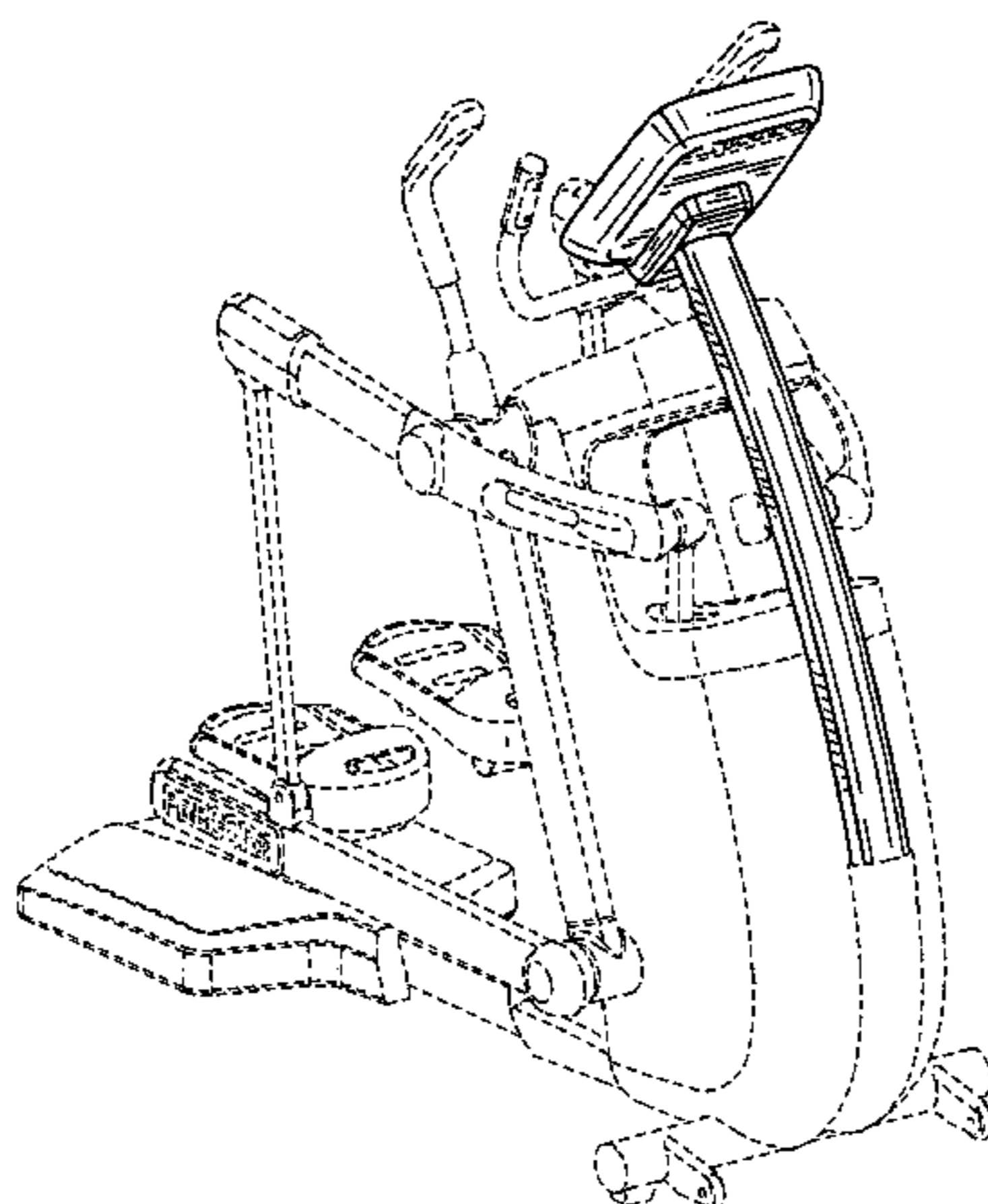
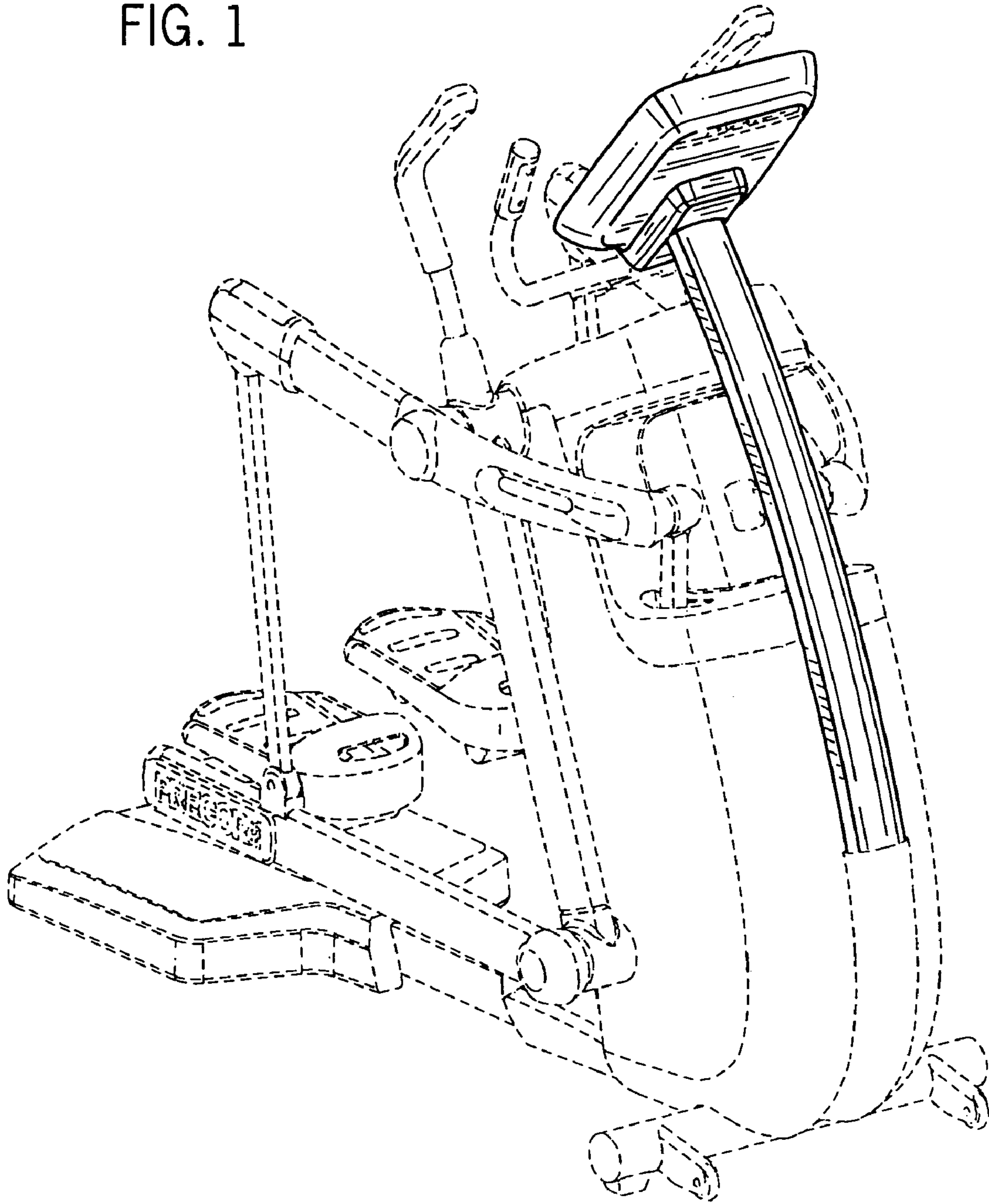


FIG. 1



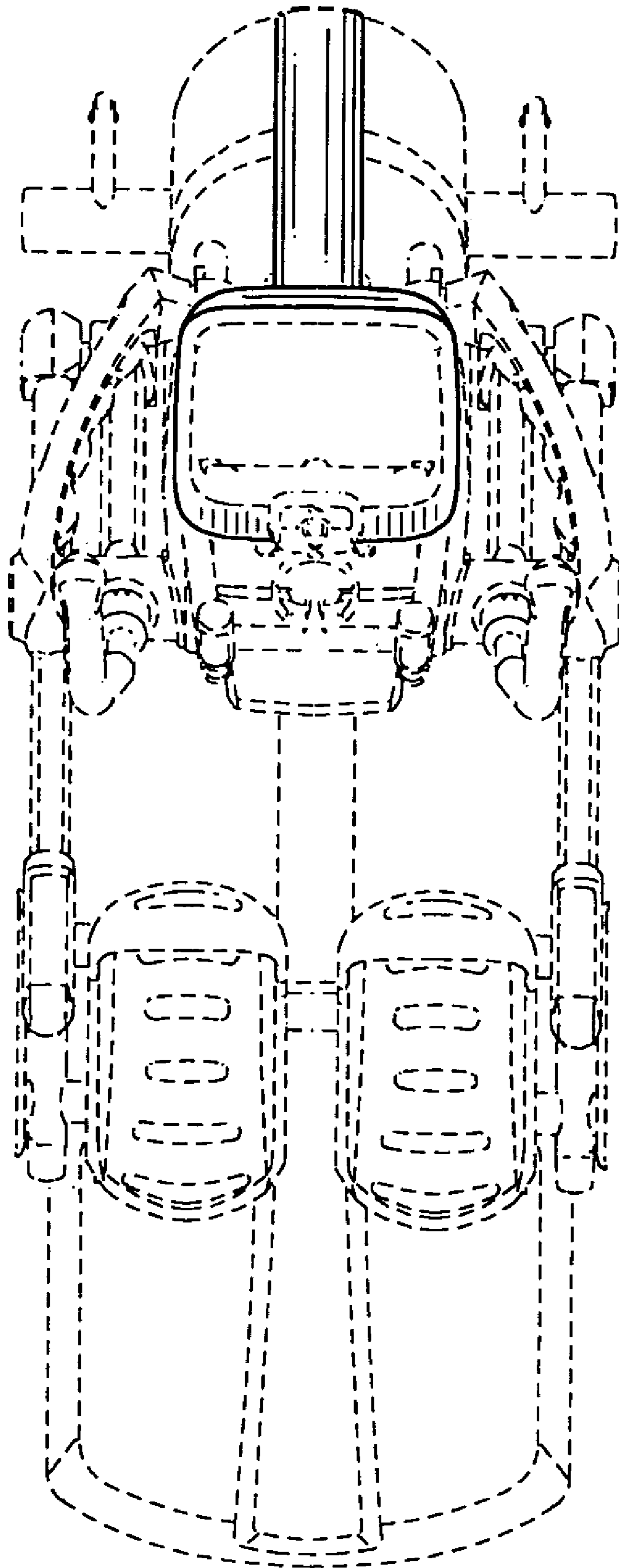


FIG. 2

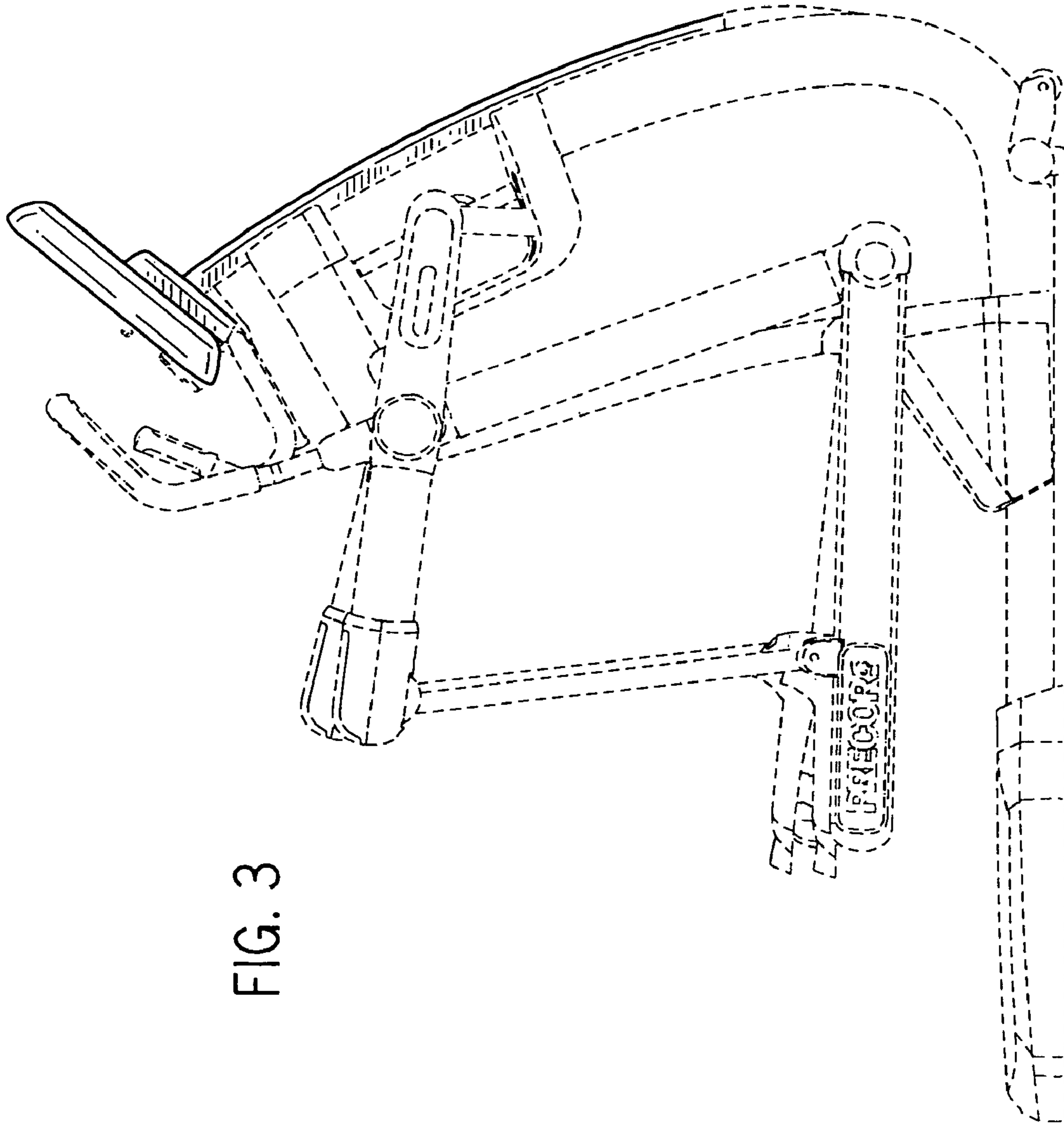


FIG. 3

FIG. 4

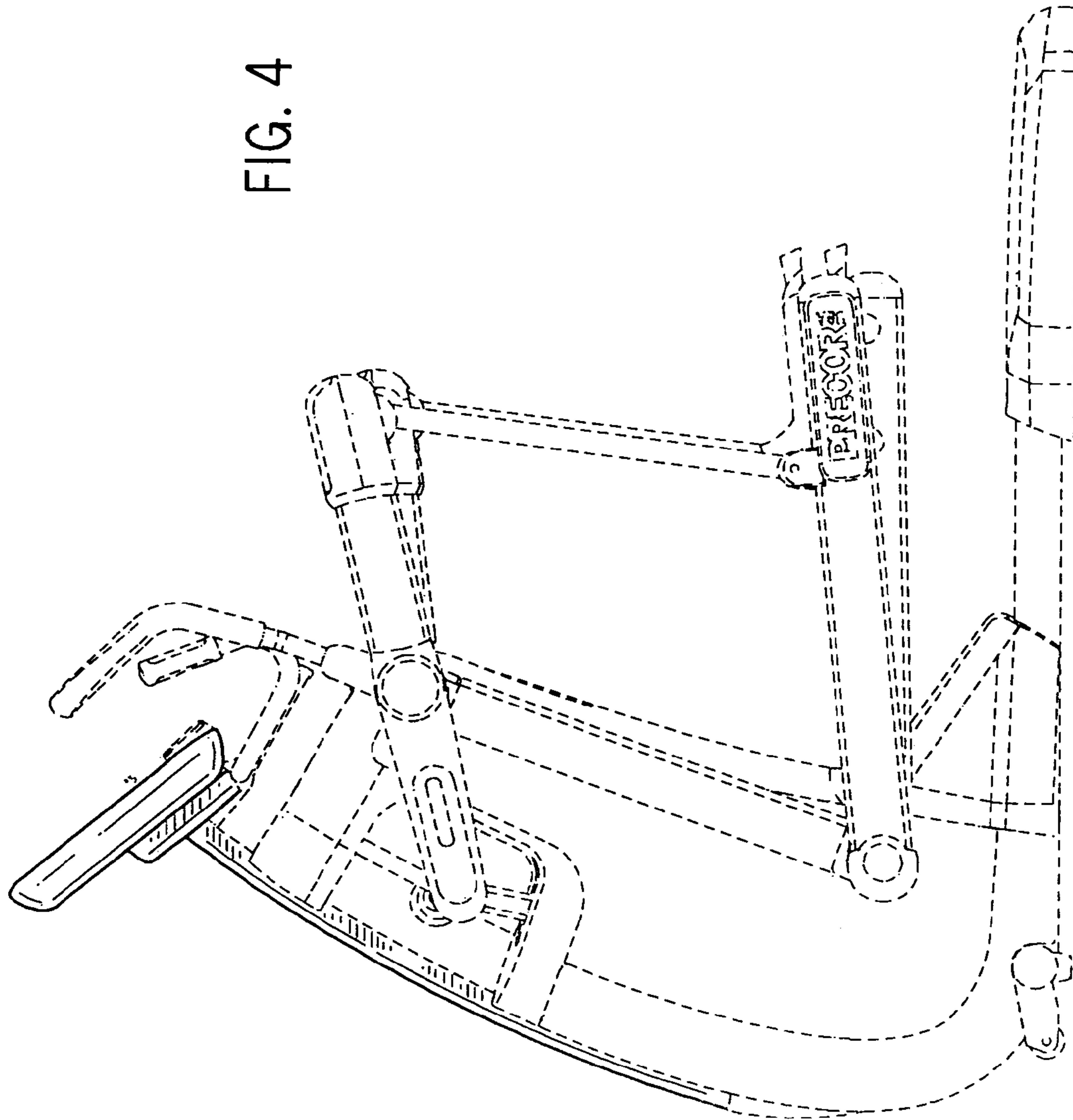


FIG. 6

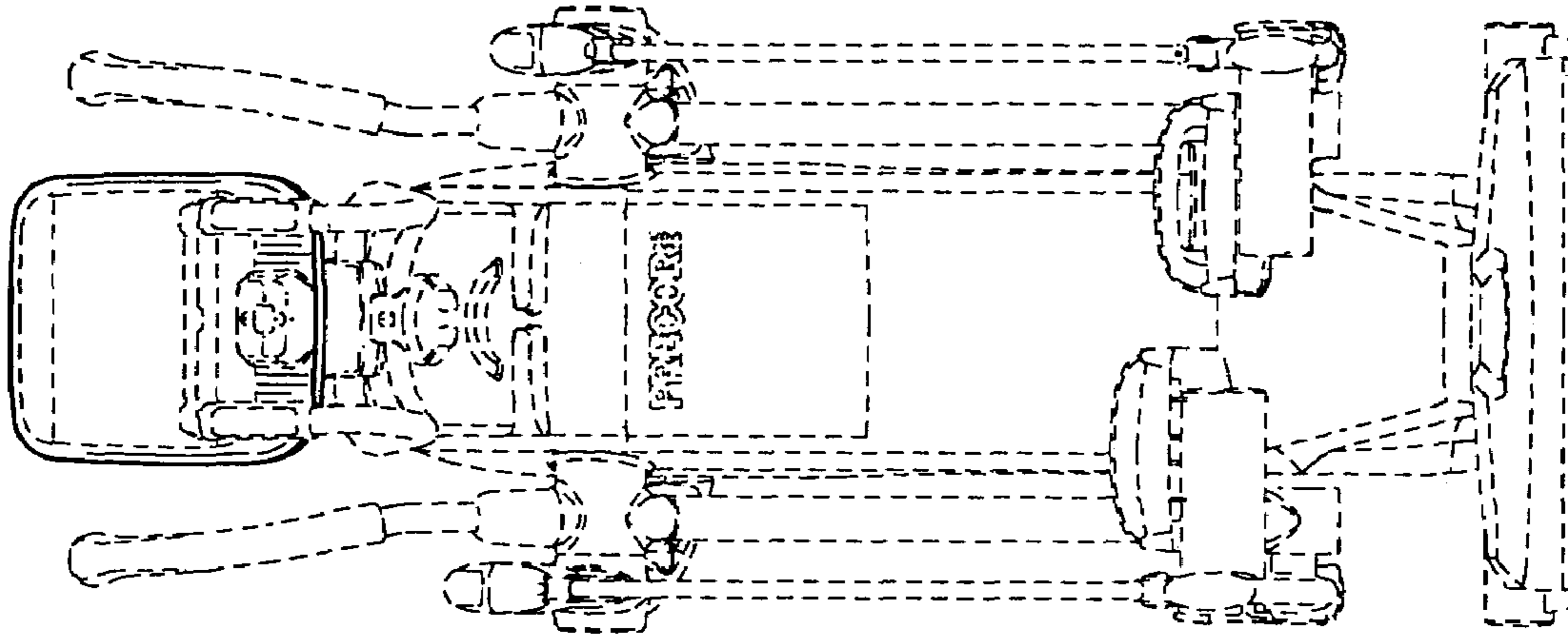


FIG. 5

