



US00D567314S

(12) **United States Design Patent**
Horita

(10) **Patent No.:** **US D567,314 S**
(45) **Date of Patent:** **** Apr. 22, 2008**

(54) **SHROUD FOR AN EXERCISE DEVICE**

(75) Inventor: **Sean Horita**, Seattle, WA (US)

(73) Assignee: **Precor Incorporated**, Woodinville, WA (US)

(**) Term: **14 Years**

(21) Appl. No.: **29/270,586**

(22) Filed: **Dec. 28, 2006**

(51) **LOC (8) Cl.** **21-02**

(52) **U.S. Cl.** **D21/694**

(58) **Field of Classification Search** D21/662–663,
D21/665–671, 673, 694, 696–697; 482/51–52,
482/54, 57, 66, 68, 70, 72, 79, 80

See application file for complete search history.

(56) **References Cited**

U.S. PATENT DOCUMENTS

D218,868 S *	9/1970	Cosper	D24/215
D265,412 S *	7/1982	Summerlot	D21/669
D362,281 S *	9/1995	Warehime et al.	D21/675
D472,945 S *	4/2003	Panatta	D21/662
D472,946 S *	4/2003	Wu	D21/665
D479,865 S *	9/2003	Arai et al.	D21/666
6,840,892 B1 *	1/2005	Wu	482/51
D528,175 S *	9/2006	Hoggan et al.	D21/694
D530,758 S *	10/2006	Kim	D21/668
D539,857 S *	4/2007	Bingham et al.	D21/697
2005/0124466 A1	6/2005	Rodgers, Jr.	482/52
2005/0124467 A1	6/2005	Rodgers, Jr.	482/52
2007/0254778 A1 *	11/2007	Ashby	482/5

OTHER PUBLICATIONS

AMT™ 100i at PRECOR™ USA.com Products. Downloaded Feb. 4, 2008 at <http://www.precor.com/comm/en/amt/amt100i/>.*

* cited by examiner

Primary Examiner—Philip Hyder

Assistant Examiner—Roselynnne Cody

(74) *Attorney, Agent, or Firm*—Terence P. O'Brien

(57) **CLAIM**

I claim the ornamental design for a shroud for an exercise device, as shown and described.

DESCRIPTION

FIG. 1 is a front side perspective view of a shroud for an exercise device;

FIG. 2 is a rear side perspective view of the shroud of FIG. 1;

FIG. 3 is a top view of the shroud of FIG. 1;

FIG. 4 is a first side view of the shroud of FIG. 1;

FIG. 5 is a second side view of the shroud of FIG. 1;

FIG. 6 is a front view of the shroud of FIG. 1;

FIG. 7 is a rear view of the shroud of FIG. 1; and,

FIG. 8 is bottom view of the shroud of FIG. 1.

The ornamental design that is claimed is shown in solid lines in the drawings. The broken (dashed) lines shown in the drawings are included for the purpose of illustrating environmental elements only and form no part of the claimed design.

1 Claim, 7 Drawing Sheets

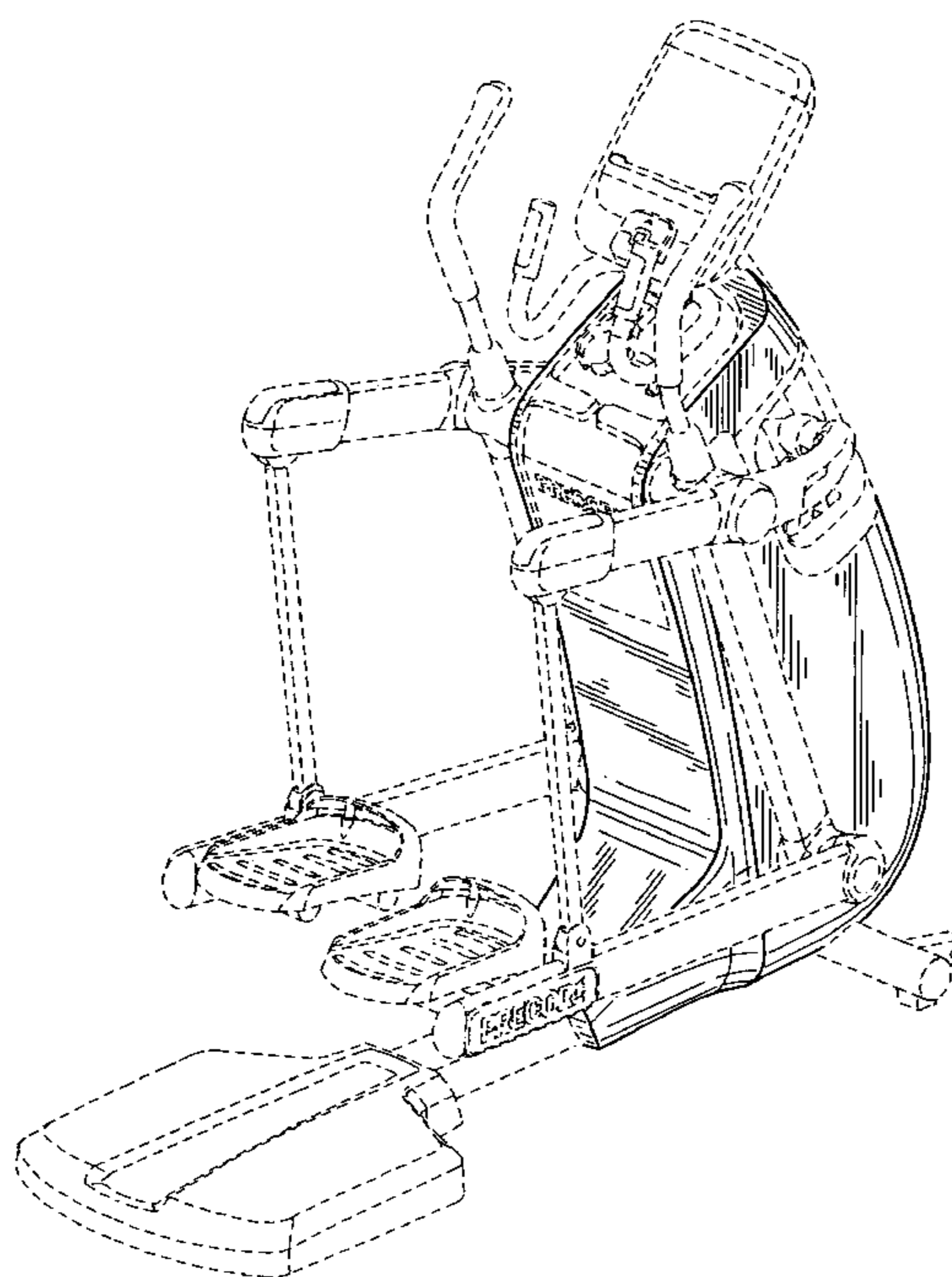


FIG. 1

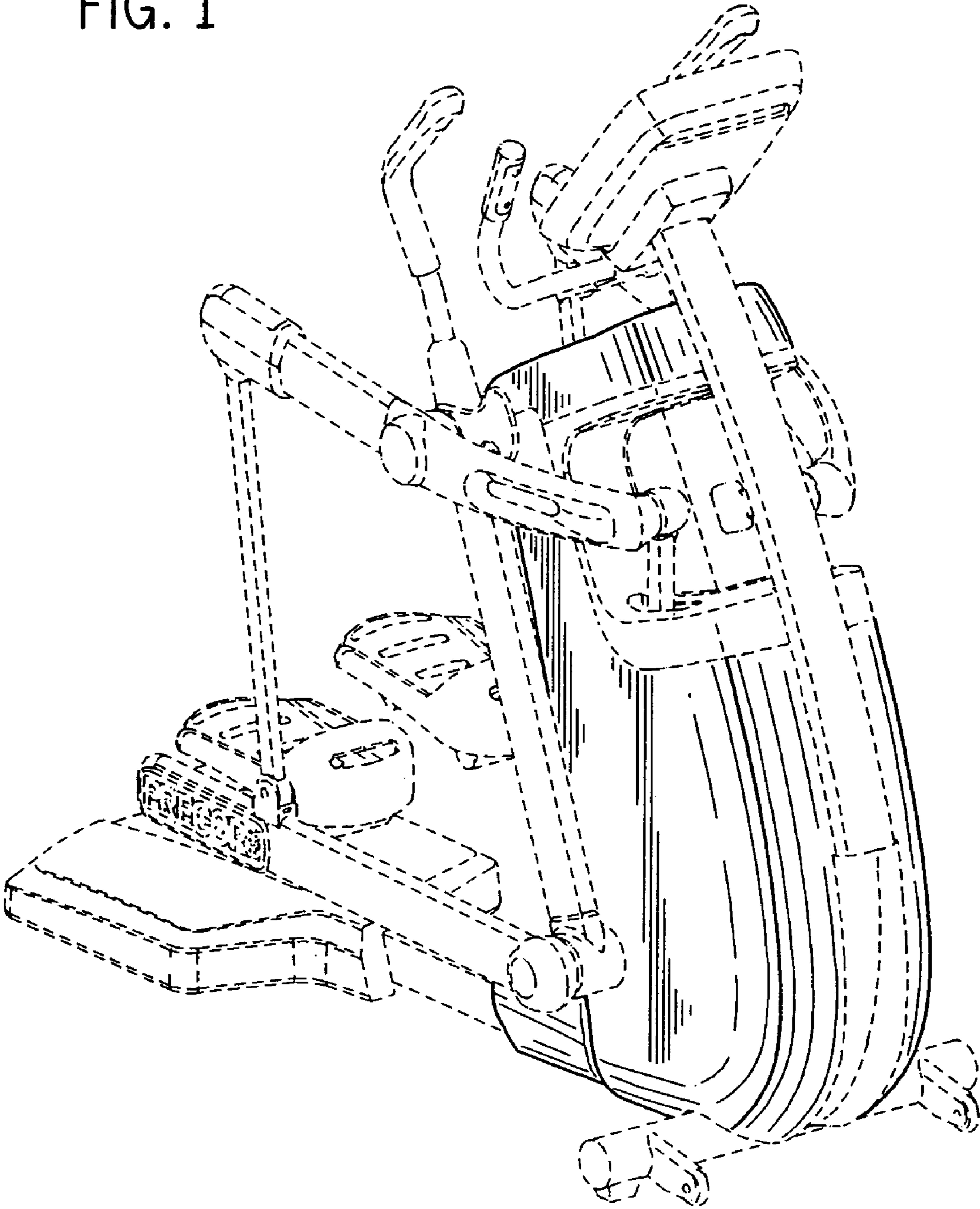
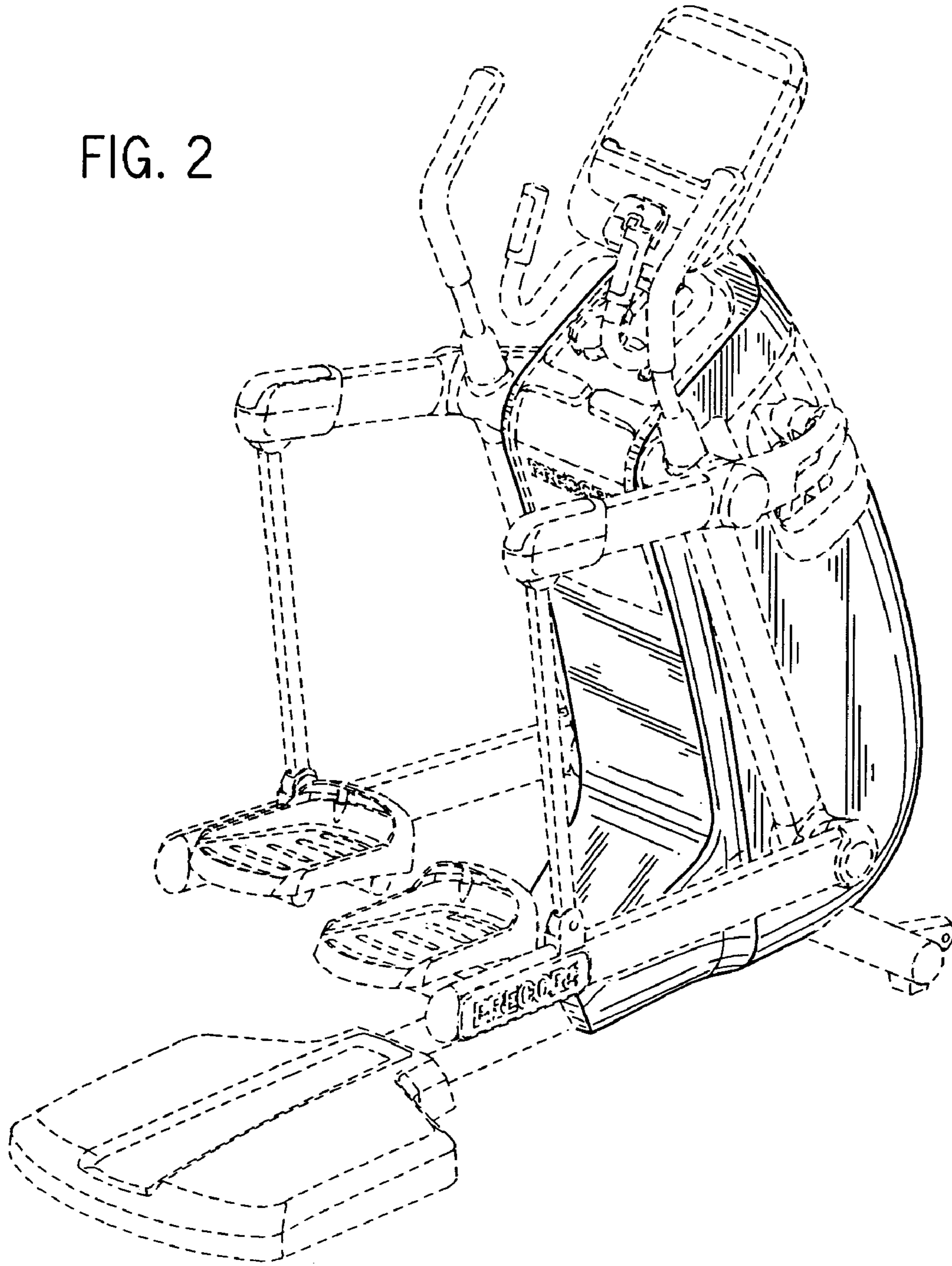


FIG. 2



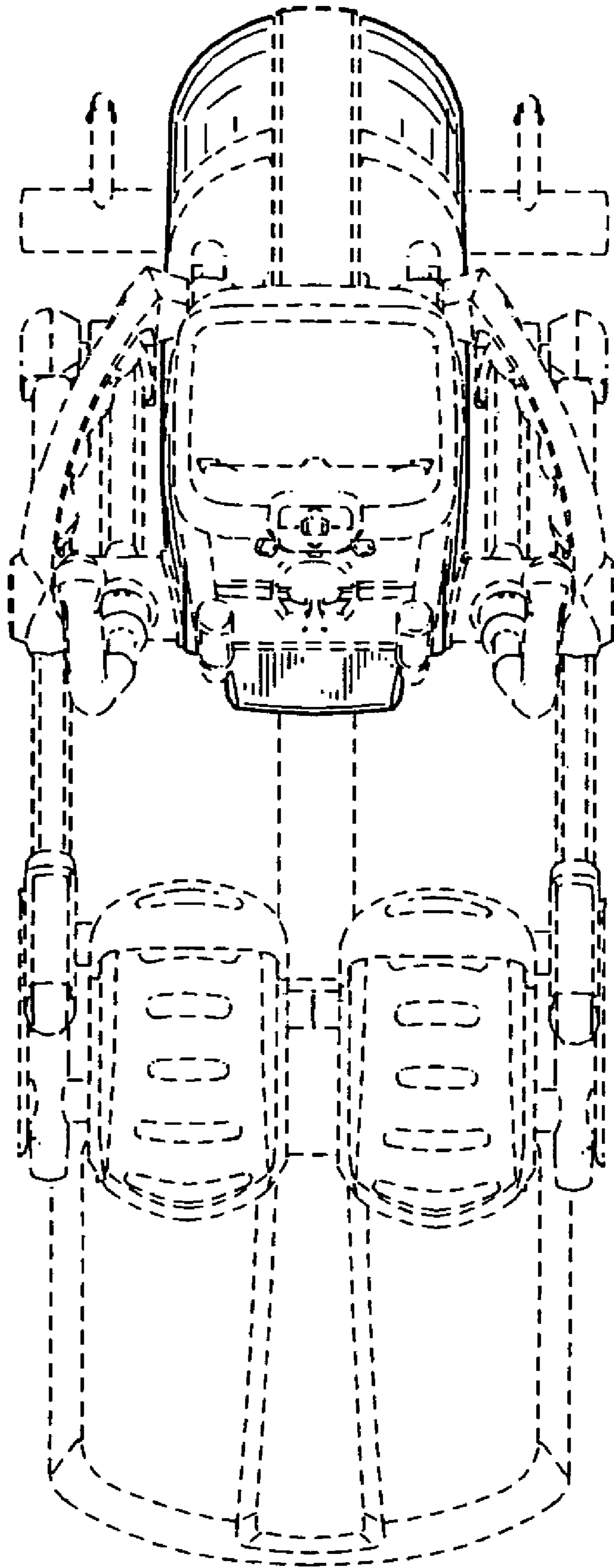


FIG. 3

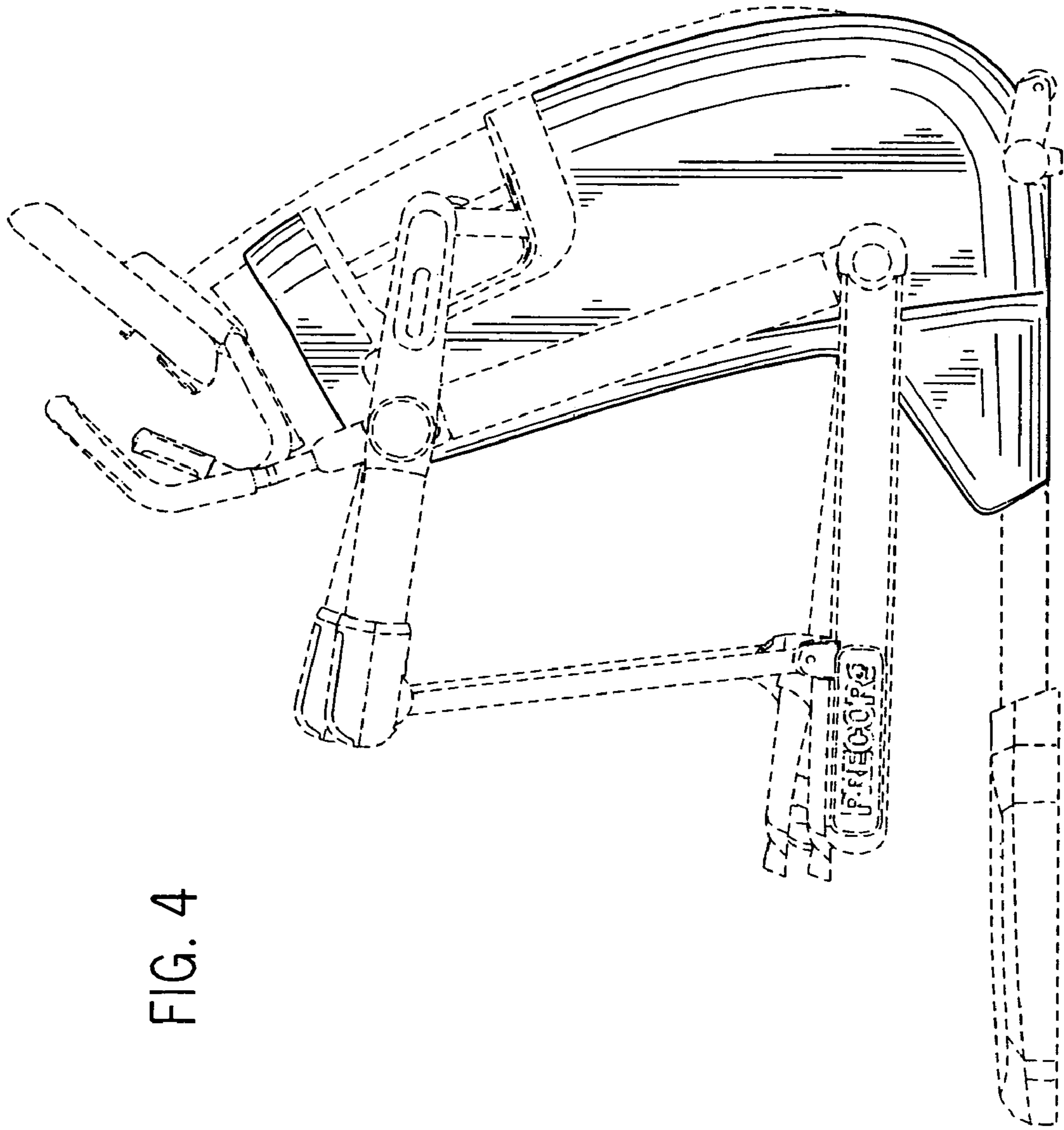


FIG. 4

FIG. 5

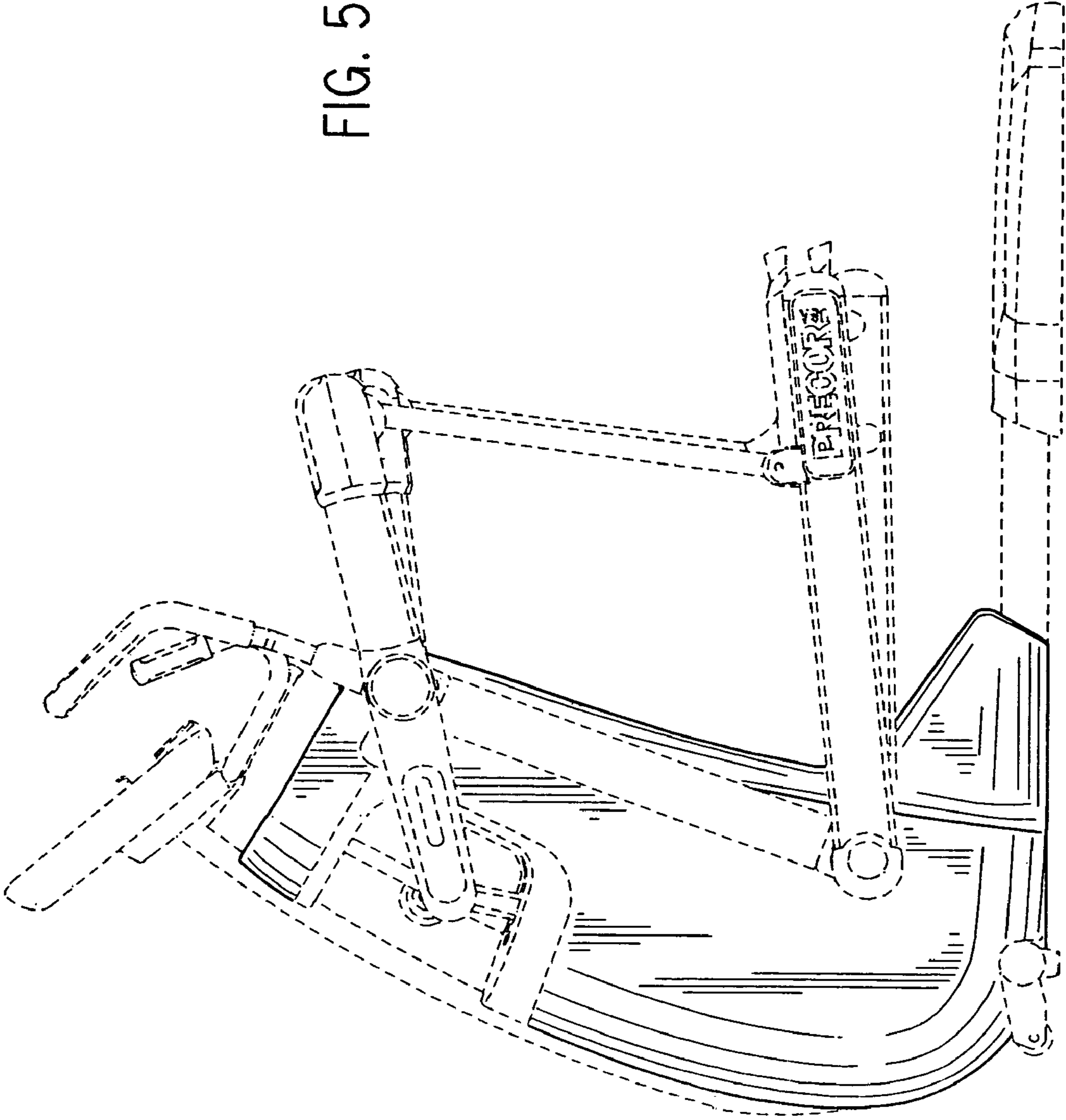


FIG. 7

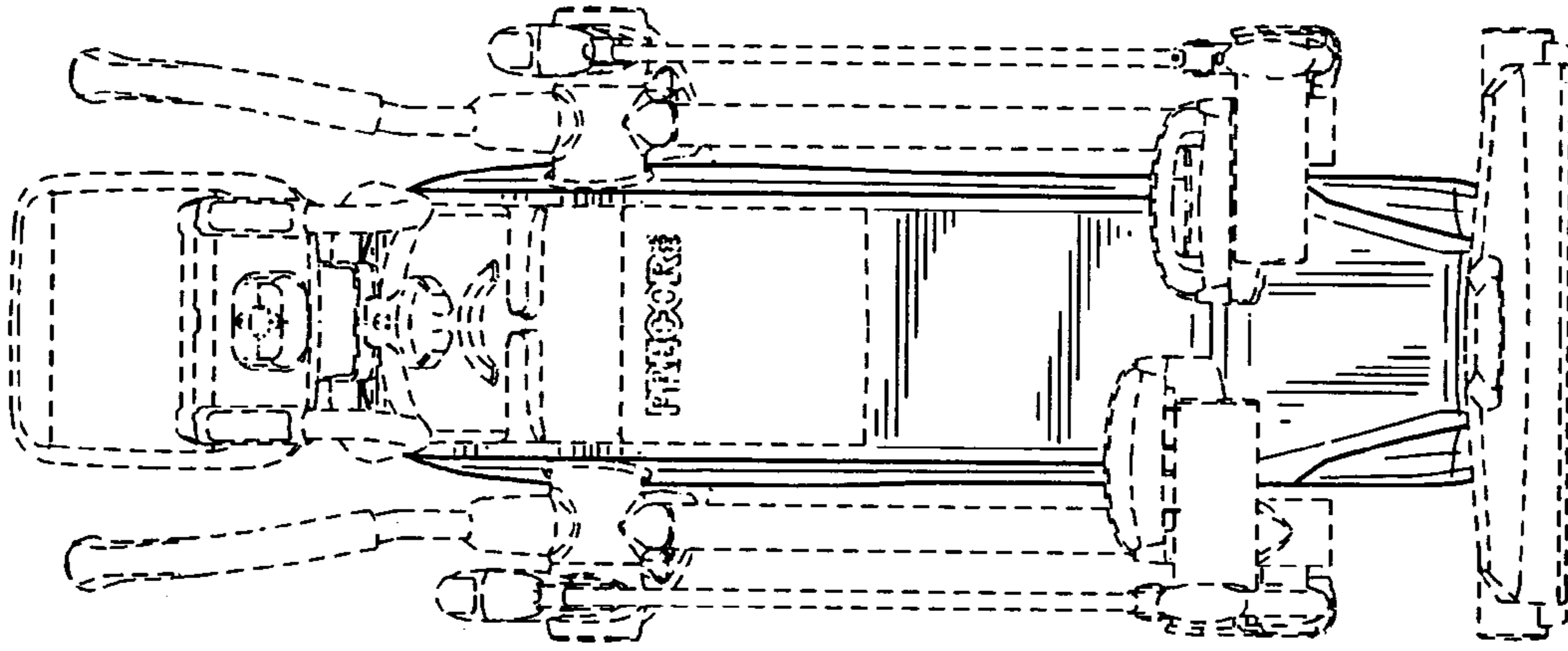
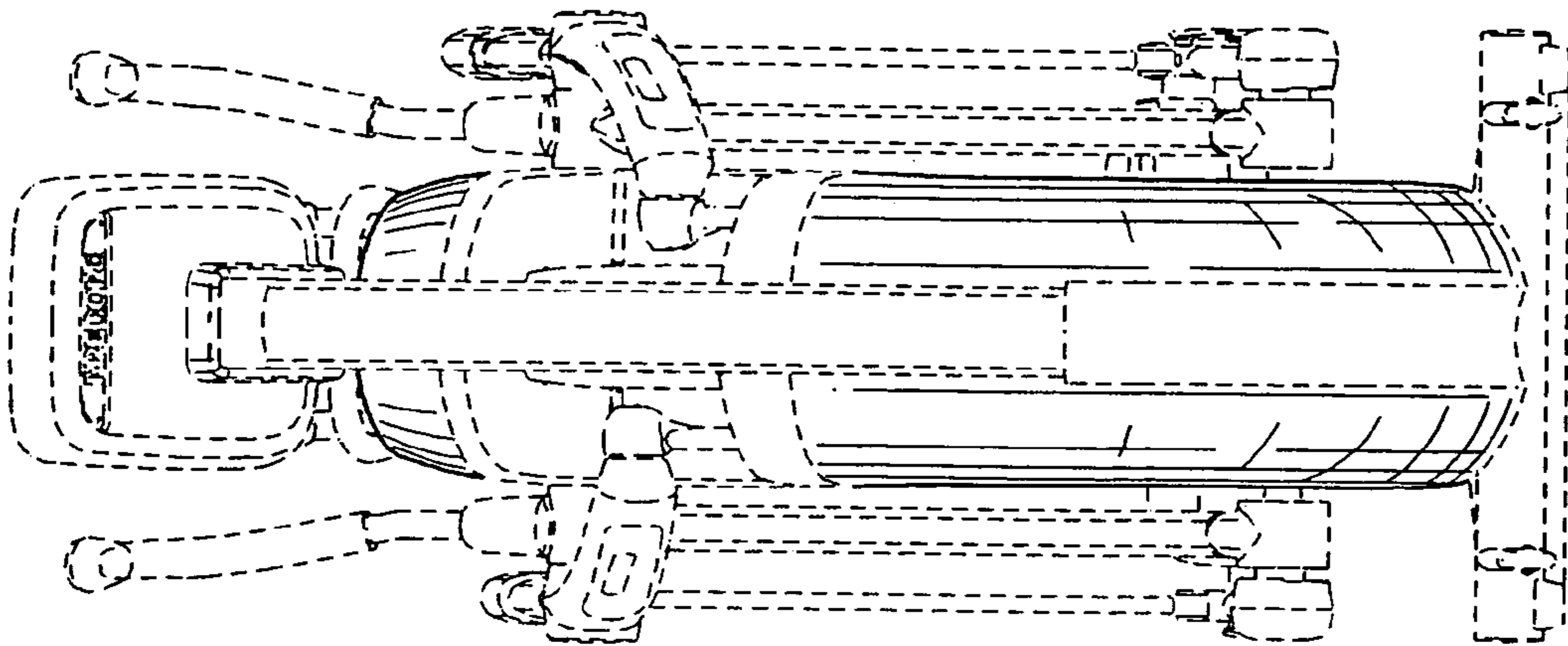


FIG. 6



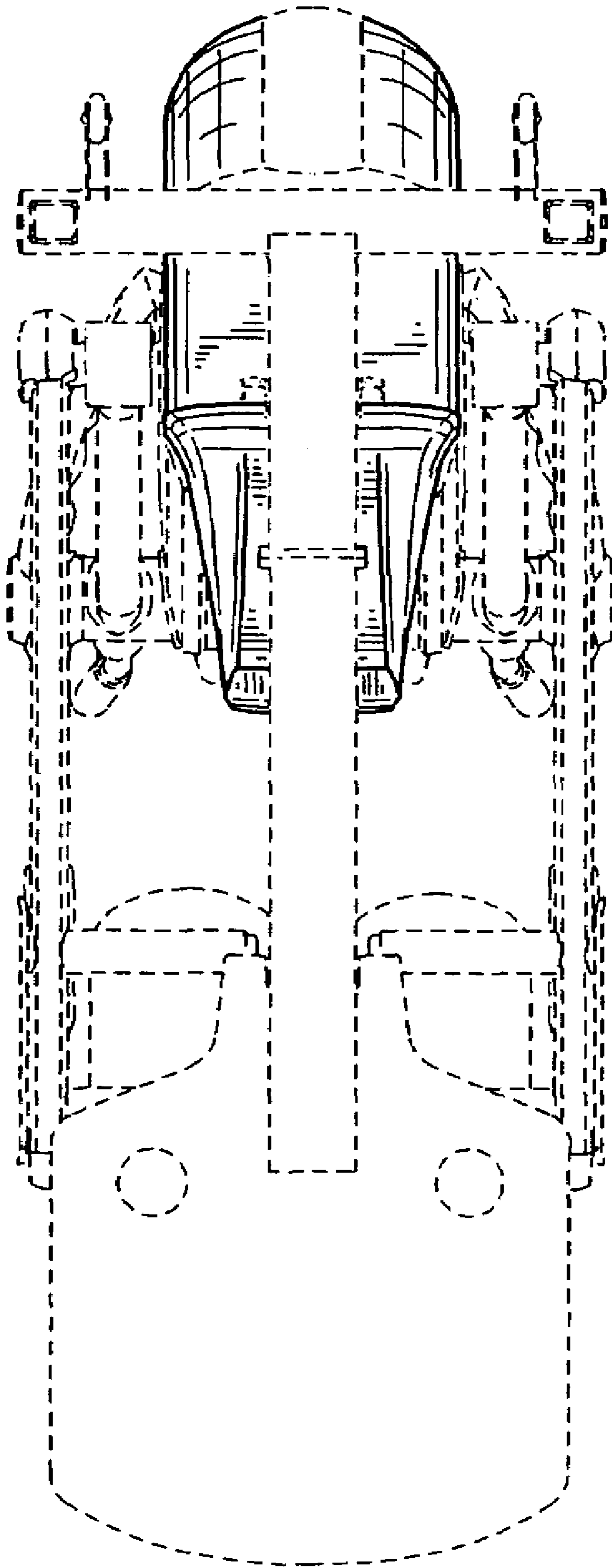


FIG. 8