



US00D567313S

(12) **United States Design Patent**
Horita

(10) **Patent No.:** **US D567,313 S**

(45) **Date of Patent:** **** Apr. 22, 2008**

(54) **LINKAGE MEMBER FOR AN EXERCISE DEVICE**

2007/0232457 A1* 10/2007 Porth 482/51

OTHER PUBLICATIONS

(75) Inventor: **Sean Horita**, Seattle, WA (US)

AMT™ 100i at PRECOR™ USA.com Products. Downloaded Feb. 4, 2008 at <http://www.precor.com/comm/en/amt/amt100i/>.*

(73) Assignee: **Precor Incorporated**, Woodinville, WI (US)

* cited by examiner

(**) Term: **14 Years**

Primary Examiner—Philip S. Hyder

Assistant Examiner—Roselynn [Ulm] Cody

(21) Appl. No.: **29/270,583**

(74) *Attorney, Agent, or Firm*—Terence P. O'Brien

(22) Filed: **Dec. 28, 2006**

(57) **CLAIM**

(51) **LOC (8) Cl.** **21-02**

I claim the ornamental design for a linkage member for an exercise device, as shown and described.

(52) **U.S. Cl.** **D21/694**

(58) **Field of Classification Search** D21/662–663, D21/665–671, 673, 686, 690–691, 694, 696–697; 482/51–52, 54, 57, 66, 68, 70, 72, 79, 80
See application file for complete search history.

DESCRIPTION

(56) **References Cited**

FIG. 1 is a front side perspective view of a linkage member for an exercise device;

FIG. 2 is a rear side perspective view thereof;

FIG. 3 is a top view thereof;

FIG. 4 is a side view thereof;

FIG. 5 is a front view thereof; and,

FIG. 6 is a bottom view thereof.

The ornamental design that is claimed is shown in solid lines in the drawings. The broken (dashed) lines shown in the drawings are included for the purpose of illustrating environmental elements only and form no part of the claimed design.

U.S. PATENT DOCUMENTS

5,603,675	A *	2/1997	Wu	482/52
5,792,027	A *	8/1998	Gvoich	482/51
5,910,072	A	6/1999	Rawls et al.	482/51
D531,683	S *	11/2006	Choi et al.	D21/696
7,153,239	B1 *	12/2006	Stearns et al.	482/52
2003/0092532	A1	5/2003	Giannelli et al.	482/51
2004/0224825	A1	11/2004	Giannelli et al.	482/51
2005/0124466	A1	6/2005	Rodgers, Jr.	482/52
2005/0124467	A1	6/2005	Rodgers, Jr.	482/52
2006/0035754	A1	2/2006	Giannelli et al.	482/51
2006/0040794	A1	2/2006	Giannelli et al.	482/51

1 Claim, 6 Drawing Sheets

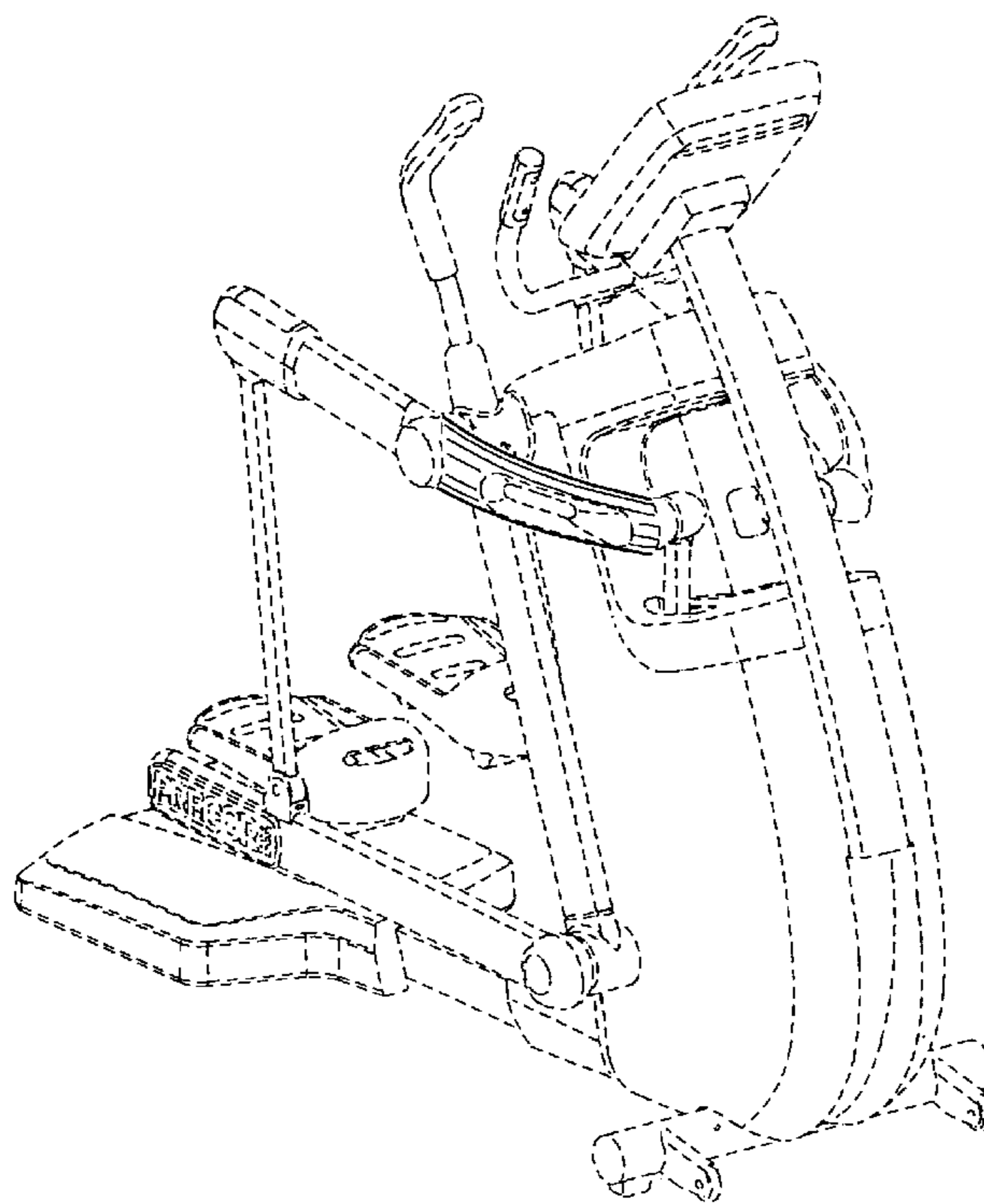


FIG. 1

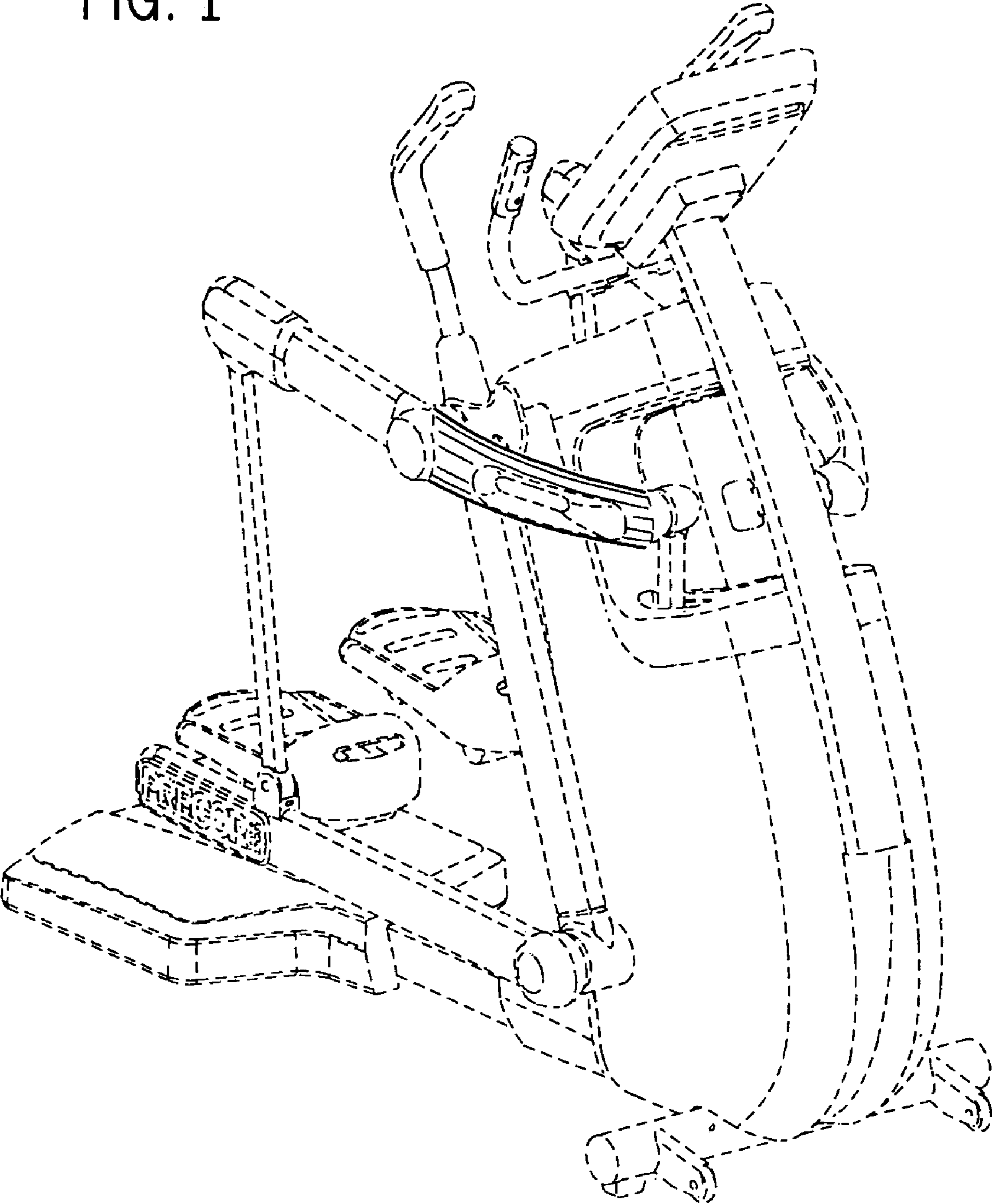
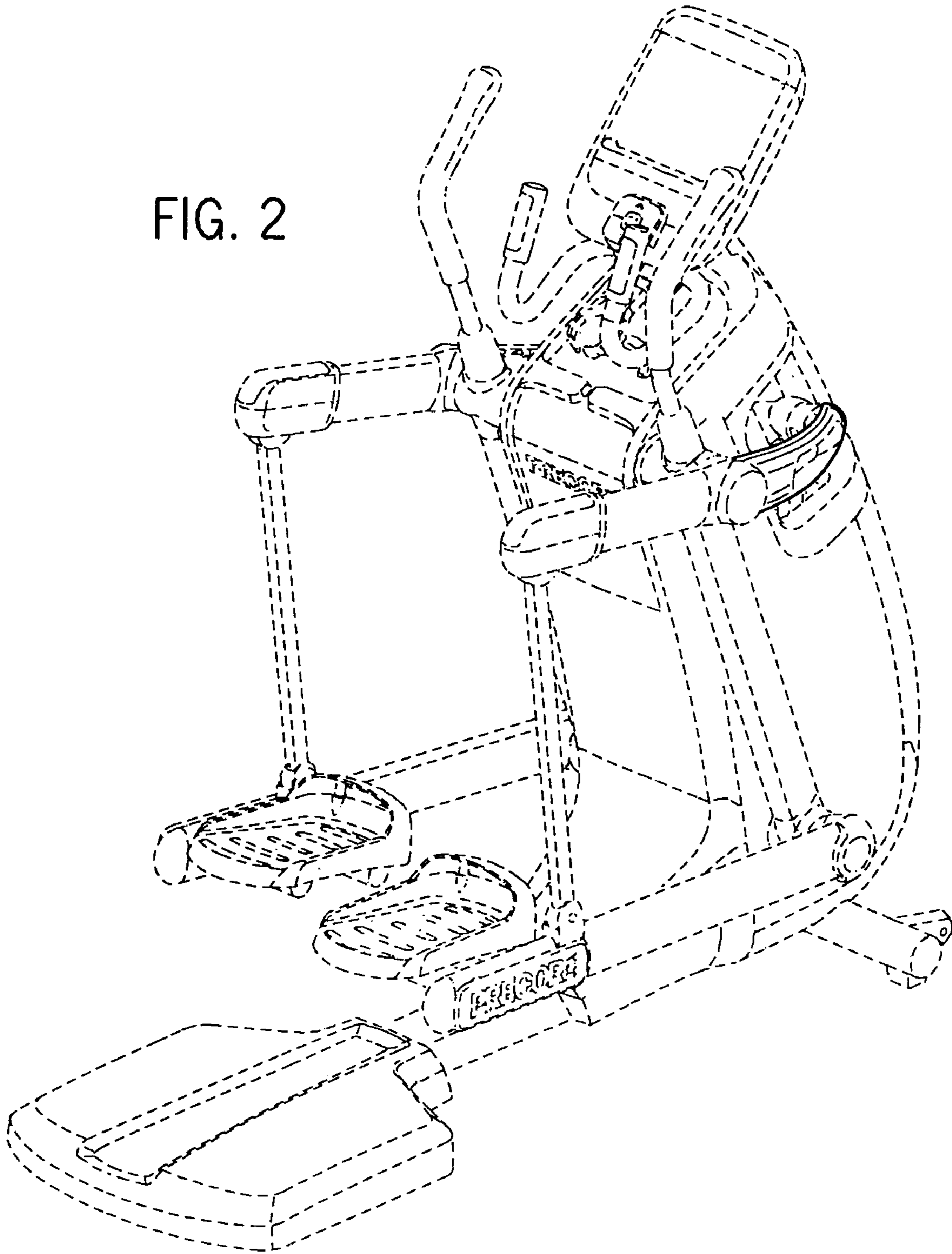


FIG. 2



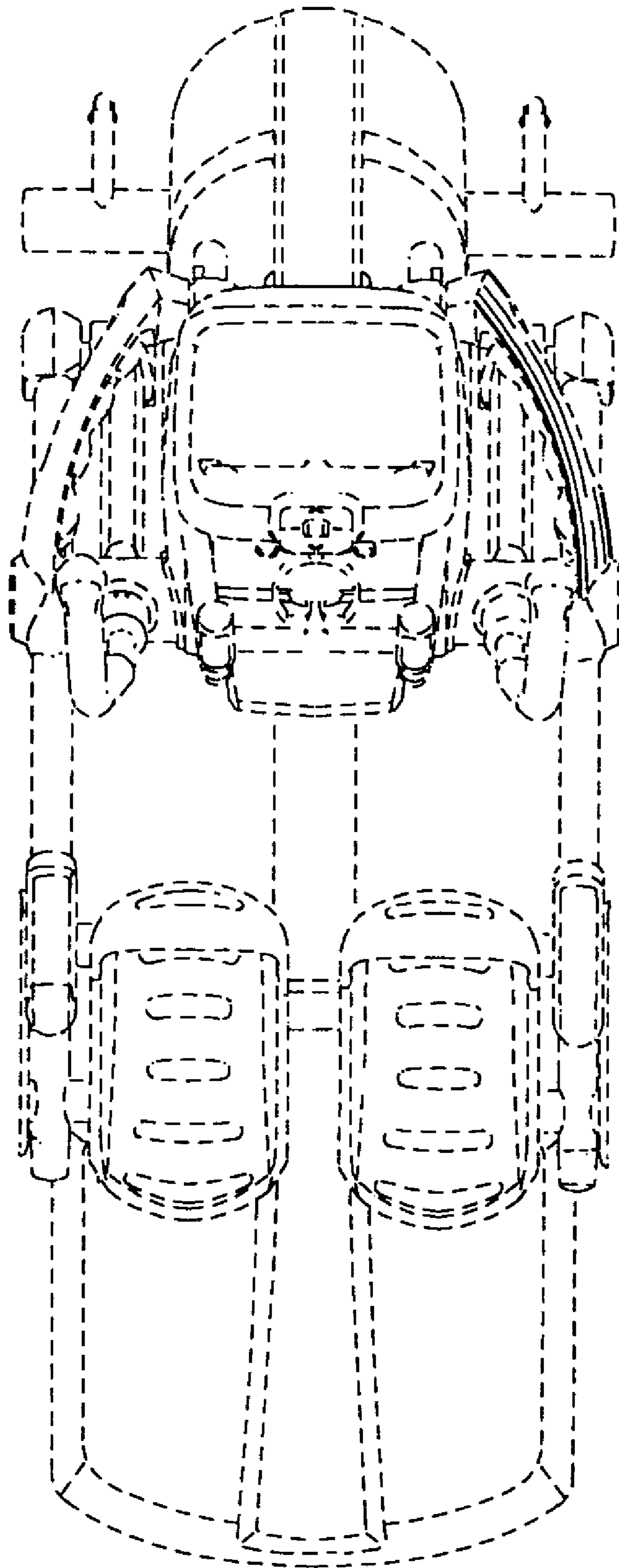


FIG. 3

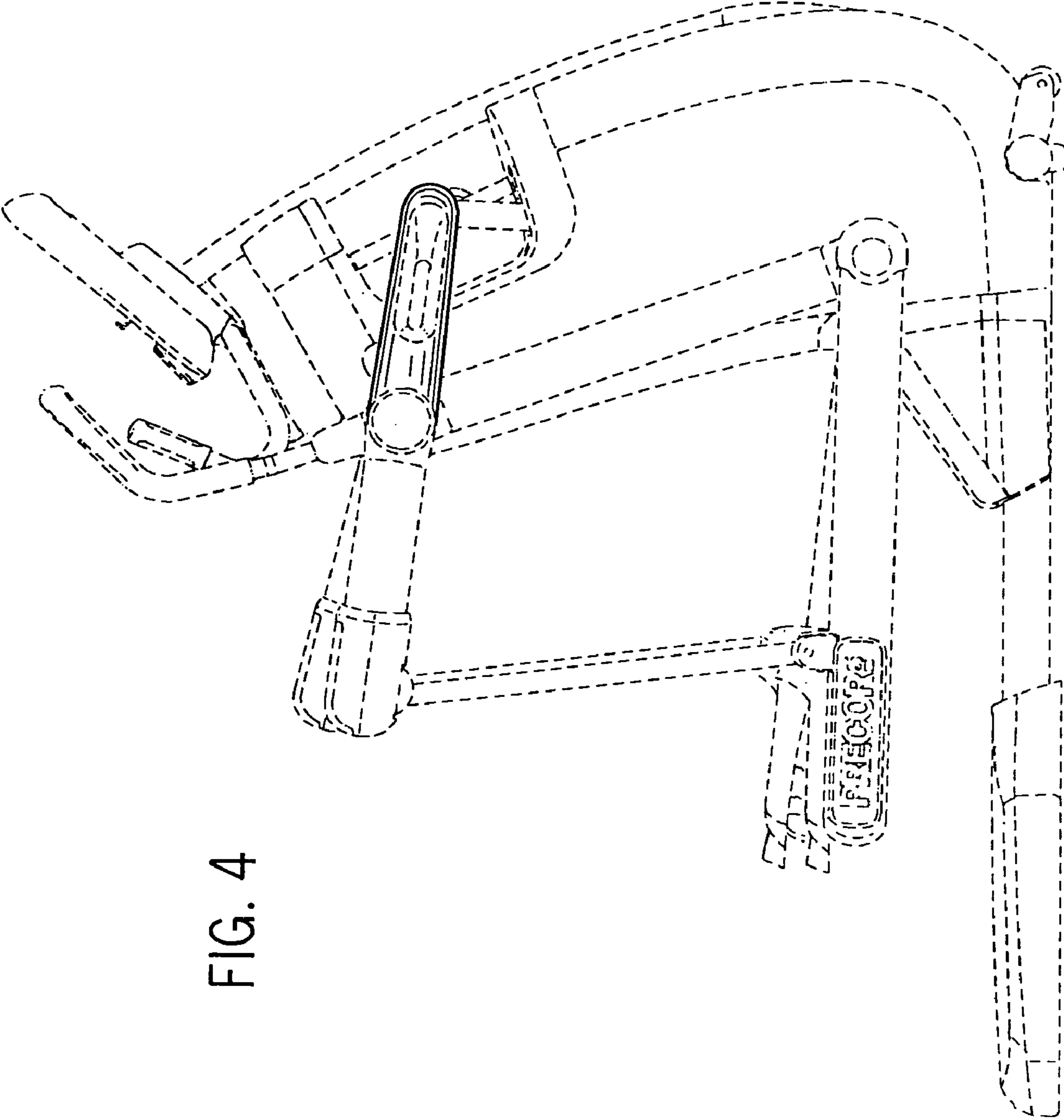


FIG. 4

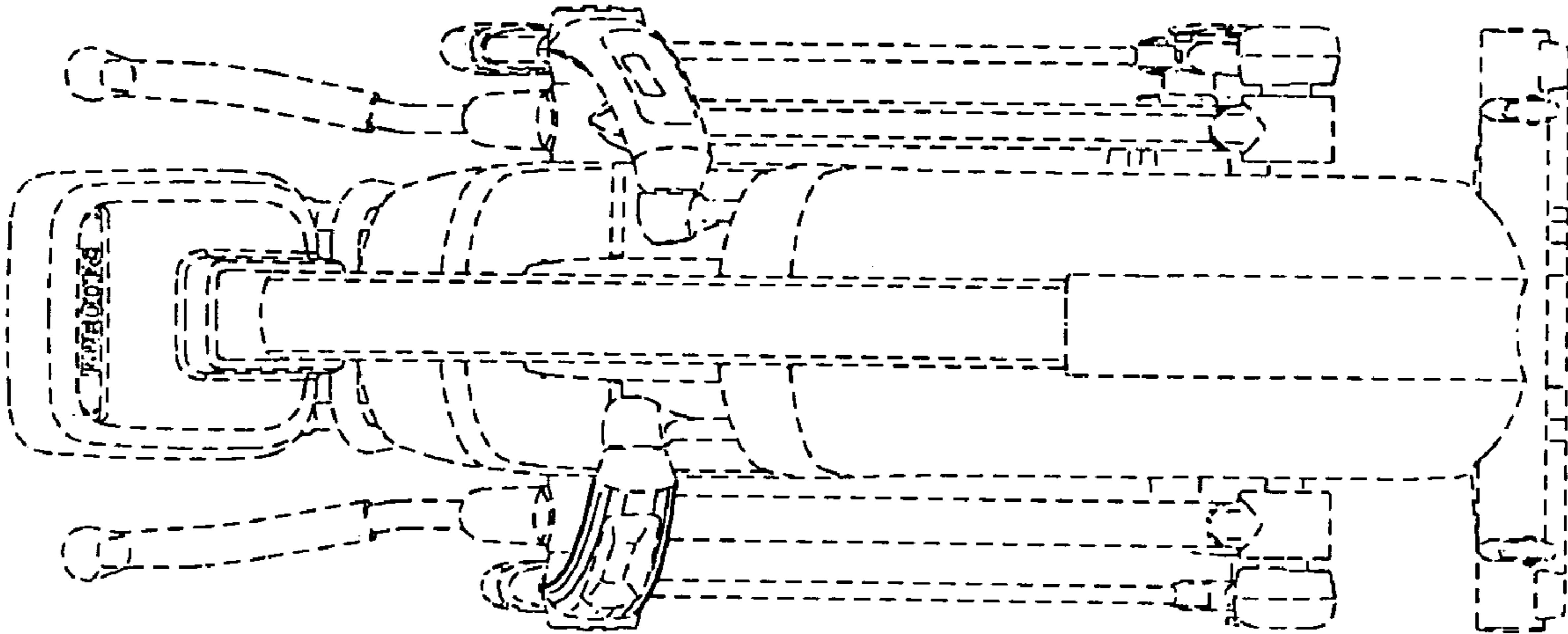


FIG. 5

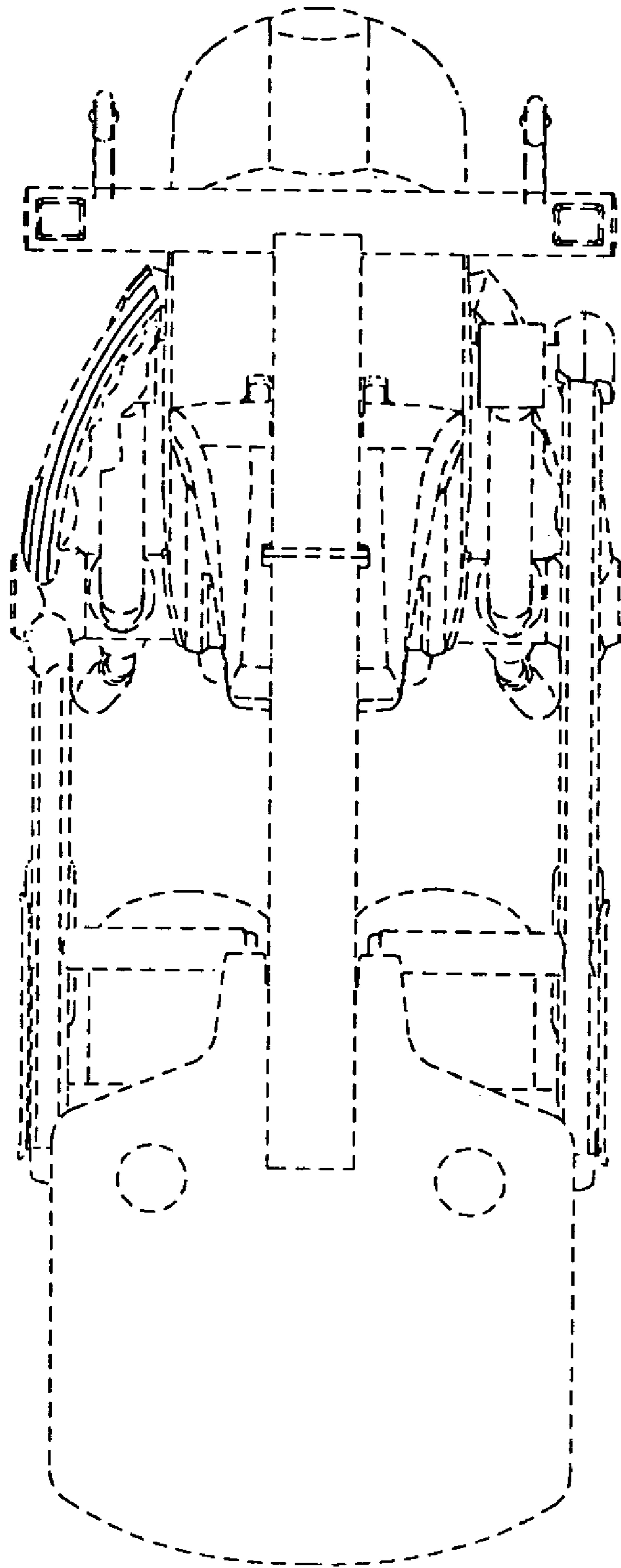


FIG. 6