

US00D567312S

(12) **United States Design Patent**
Tsai

(10) **Patent No.:** **US D567,312 S**
(45) **Date of Patent:** **** Apr. 22, 2008**

(54) **EXERCISING DEVICE**

(76) Inventor: **Jao-Hsing Tsai**, 1Fl., No. 10, Lane 136,
Junghe Rd., Hsinchu (TW)

(**) Term: **14 Years**

(21) Appl. No.: **29/272,889**

(22) Filed: **Feb. 20, 2007**

(51) **LOC (8) Cl.** **21-02**

(52) **U.S. Cl.** **D21/688; D21/662**

(58) **Field of Classification Search** **D21/662,**
D21/673, 686, 688-691; 482/136, 146, 147
See application file for complete search history.

(56) **References Cited**

U.S. PATENT DOCUMENTS

3,593,994	A *	7/1971	Anbar	482/147
5,433,690	A *	7/1995	Gilman	482/146
5,632,711	A *	5/1997	Hwang	482/147
7,118,519	B2 *	10/2006	Slowinski	482/146
7,179,212	B2 *	2/2007	Hsiung et al.	482/140
2005/0026756	A1 *	2/2005	Chang	482/136
2006/0183604	A1 *	8/2006	Chae	482/51

FOREIGN PATENT DOCUMENTS

JP 01083272 A * 3/1989

* cited by examiner

Primary Examiner—Philip S. Hyder

Assistant Examiner—RoseLynn (Ulm) Cody

(74) *Attorney, Agent, or Firm*—Alan Kamrath; Kamrath & Associates PA

(57) **CLAIM**

The ornamental design for a exercising device, as shown and described.

DESCRIPTION

FIG. 1 is a perspective view of a exercising device showing my new design;

FIG. 2 is a front side elevational view thereof;

FIG. 3 is a rear side elevational view thereof;

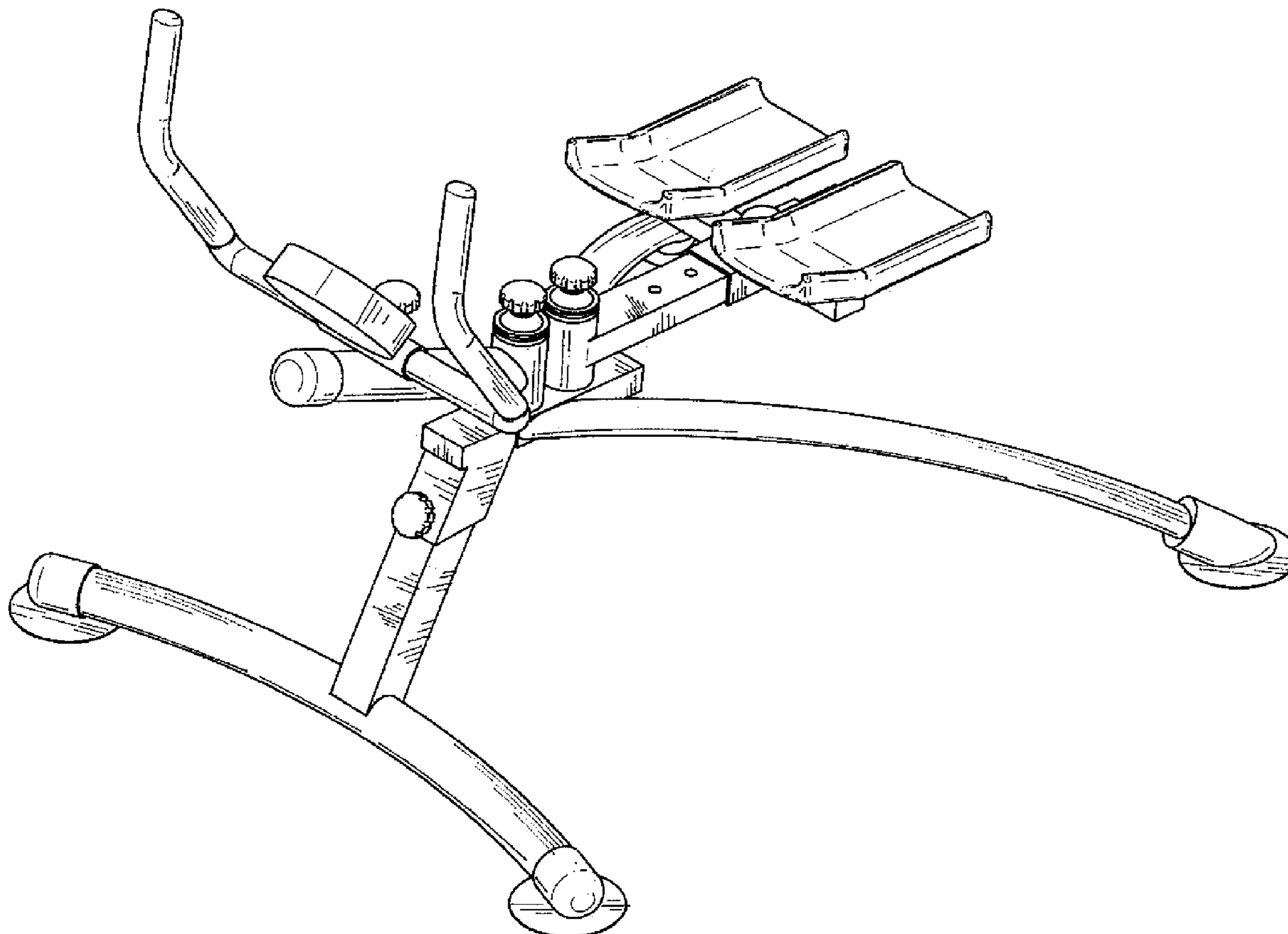
FIG. 4 is a left elevational view thereof;

FIG. 5 is a right elevational view thereof;

FIG. 6 is a top plan view thereof; and,

FIG. 7 is a bottom plan view thereof.

1 Claim, 7 Drawing Sheets



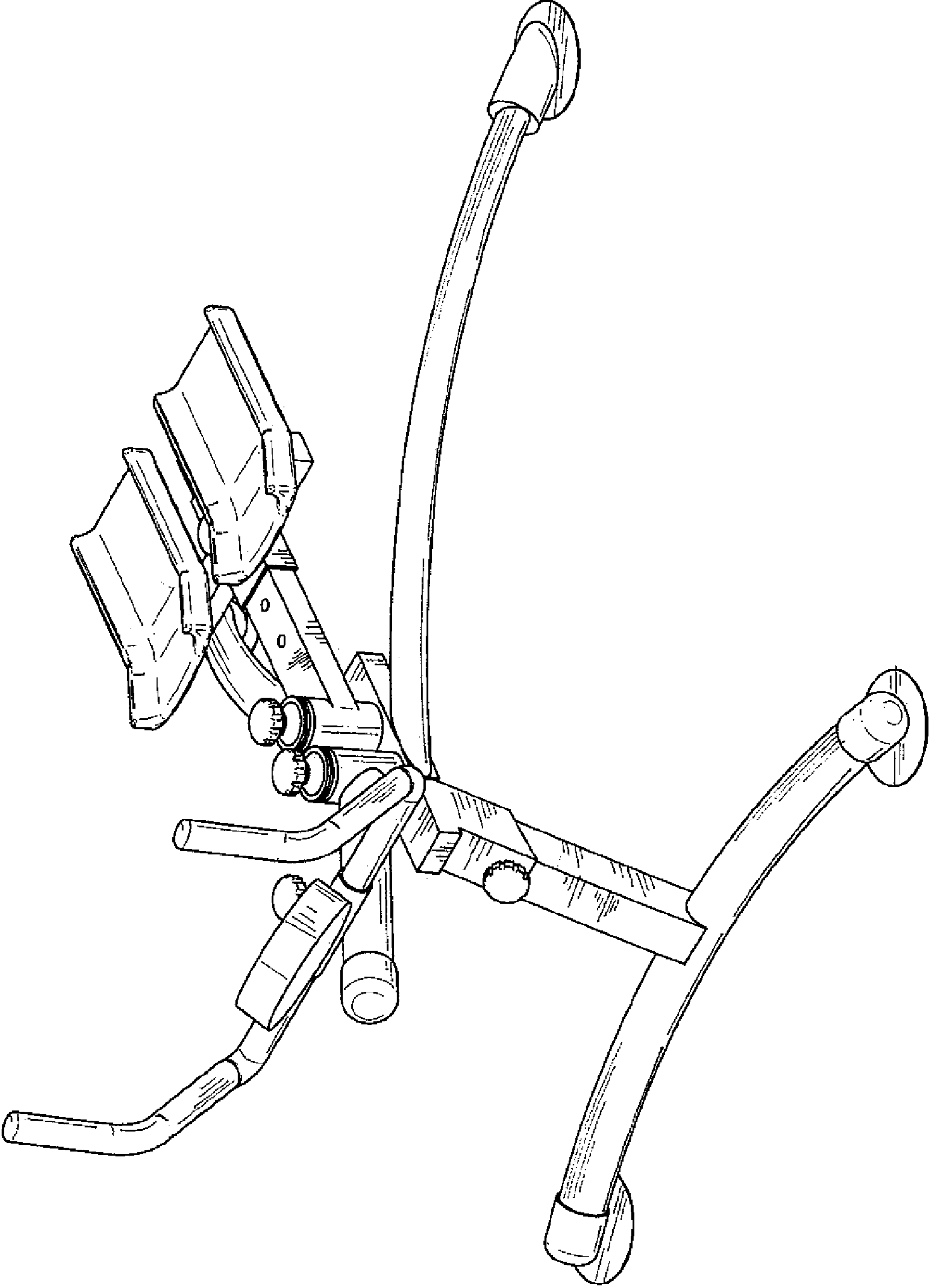


FIG.1

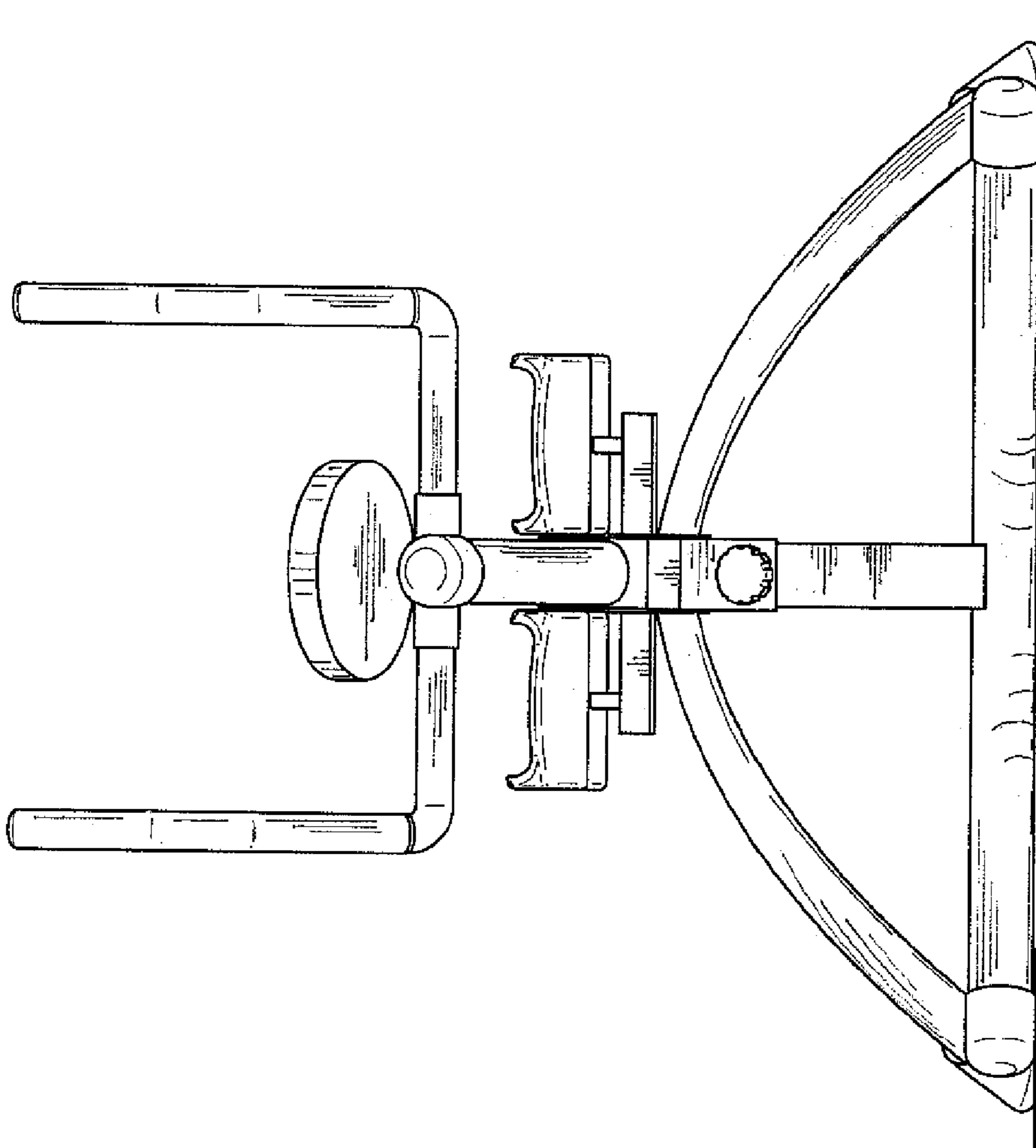


FIG.2

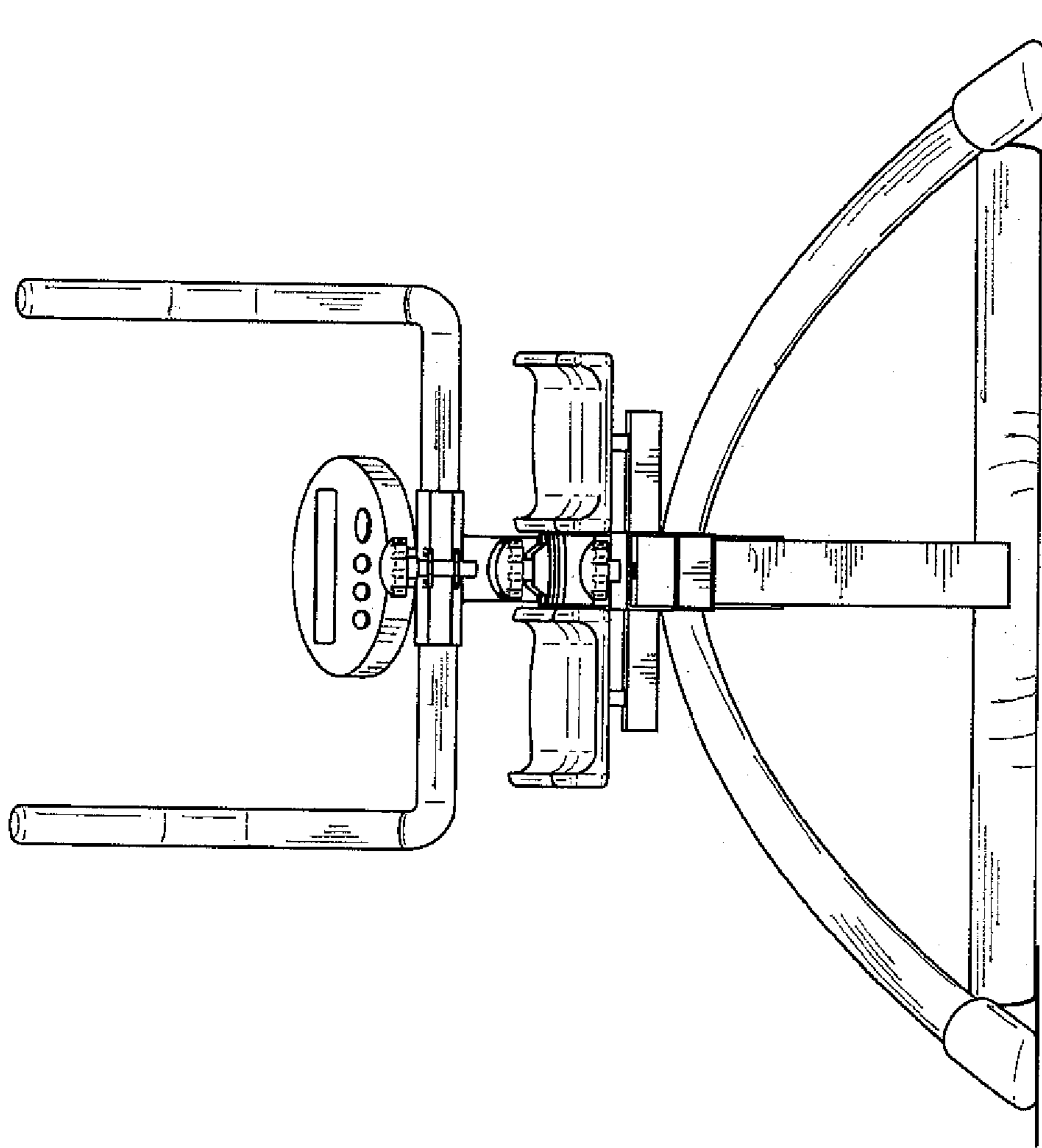


FIG.3

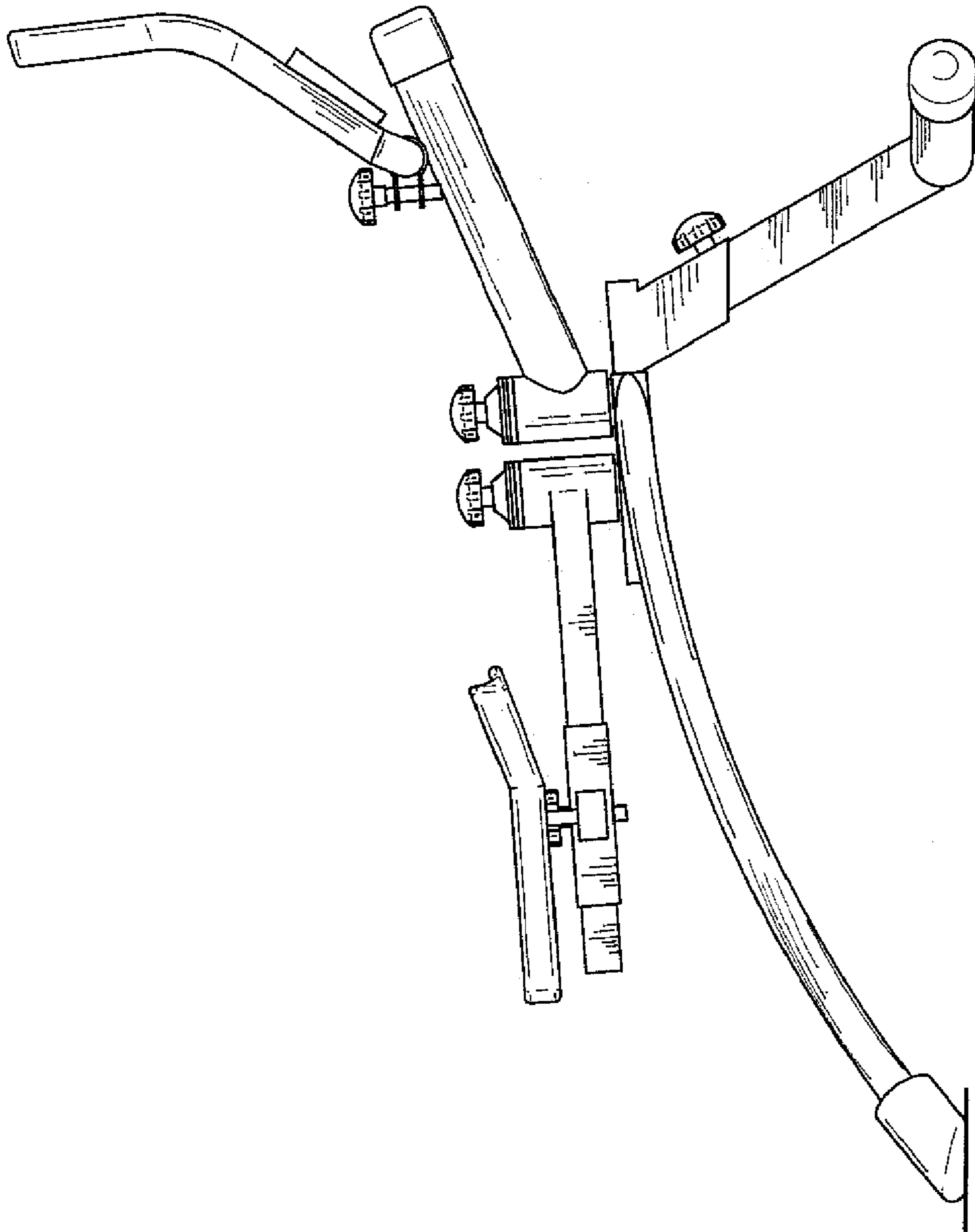


FIG.4

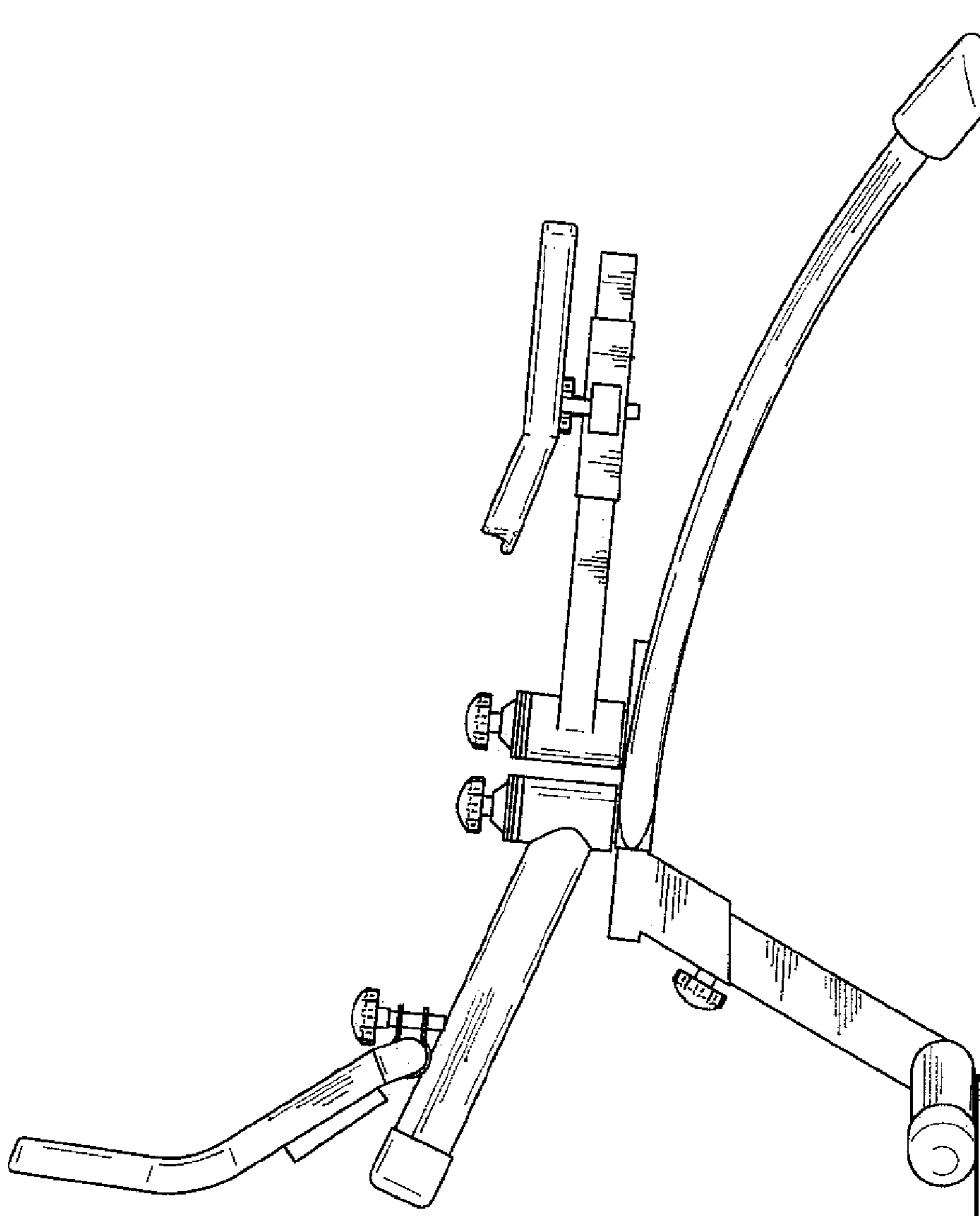


FIG.5

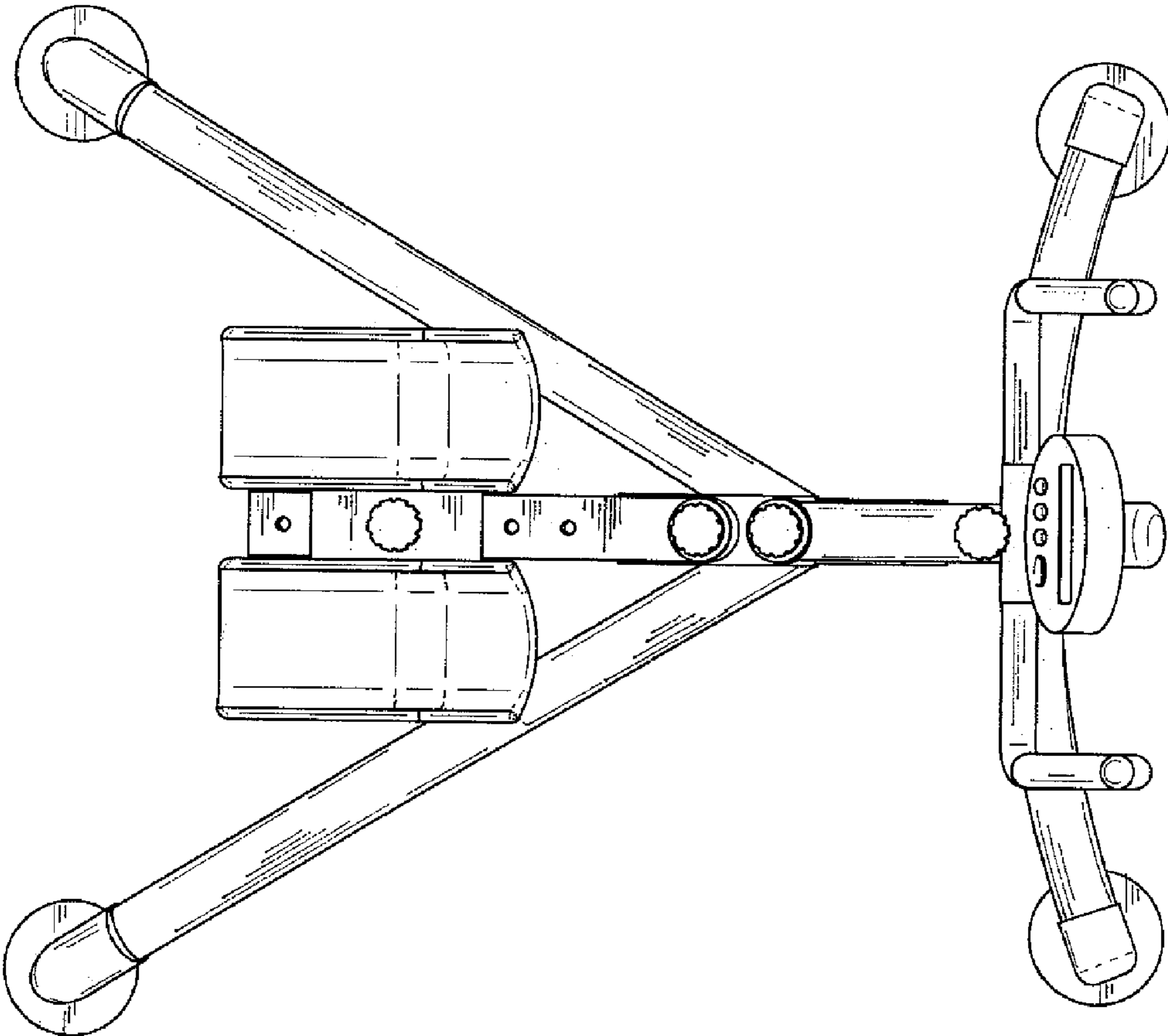


FIG.6

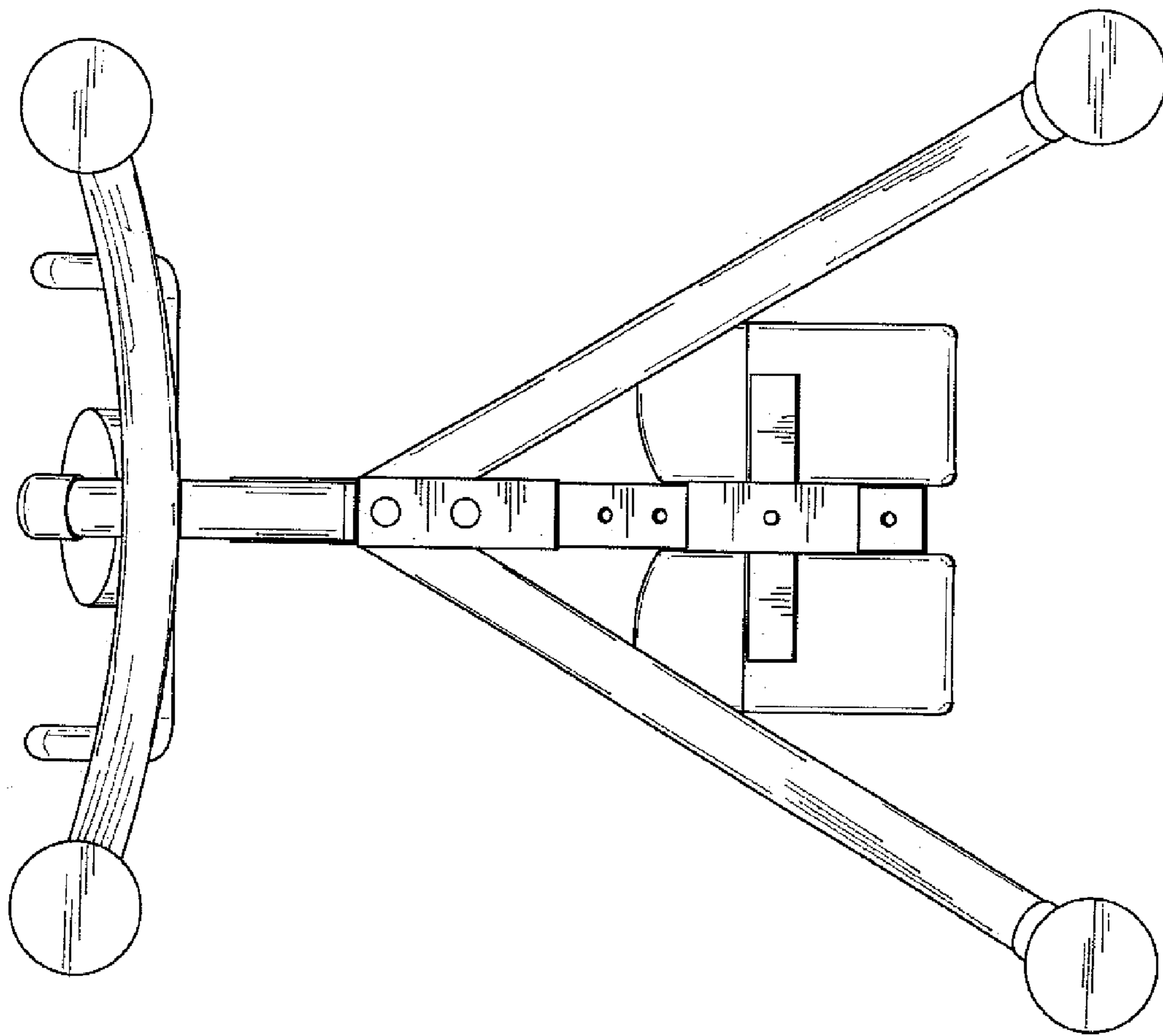


FIG.7