



US00D567311S

(12) **United States Design Patent**  
**Hillson**

(10) **Patent No.:** **US D567,311 S**

(45) **Date of Patent:** **\*\* Apr. 22, 2008**

(54) **DUMBBELL**

(75) Inventor: **Nicholas Andrew Hillson,**  
Peterborough (GB)

(73) Assignee: **Escape Fitness Limited,** Hampton,  
Peterborough, Cambridgeshire (GB)

(\*\*) Term: **14 Years**

(21) Appl. No.: **29/256,190**

(22) Filed: **Mar. 17, 2006**

(51) **LOC (8) Cl.** ..... **21-02**

(52) **U.S. Cl.** ..... **D21/681**

(58) **Field of Classification Search** ..... D21/662,  
D21/679, 680, 681, 682, 683, 684; 482/104,  
482/105, 106, 108, 109

See application file for complete search history.

(56) **References Cited**

**U.S. PATENT DOCUMENTS**

4,538,806	A *	9/1985	Wilkerson	.....	482/108
6,099,443	A *	8/2000	Landfair	.....	482/108
6,120,420	A *	9/2000	Pearson et al.	.....	482/108
6,132,344	A *	10/2000	Vanderbleek	.....	482/108
D444,516	S *	7/2001	Pearson et al.	.....	D21/681
D496,414	S *	9/2004	Harms et al.	.....	D21/681

D504,923	S *	5/2005	Harms et al.	.....	D21/681
7,025,713	B2 *	4/2006	Dalebout et al.	.....	482/107
D522,075	S *	5/2006	Cheng	.....	D21/681
7,048,678	B2 *	5/2006	Harms et al.	.....	482/107
D525,397	S *	7/2006	Wang	.....	D30/160

**OTHER PUBLICATIONS**

1 page printout from dumbbells search on Google Images.\*  
2 pages of troy dumbbells found on Amazon.com.\*

\* cited by examiner

*Primary Examiner*—Philip S. Hyder

(74) *Attorney, Agent, or Firm*—Richard M. Goldberg

(57) **CLAIM**

The ornamental design for the dumbbell, as shown and described.

**DESCRIPTION**

FIG. 1 is a perspective view of a dumbbell of my design;  
FIG. 2 is a left side elevational view thereof, the right side  
elevational view being a mirror image thereof;  
FIG. 3 is a front elevational view thereof, the rear elevational  
view being a mirror image thereof; and,  
FIG. 4 is a top plan view thereof.

**1 Claim, 4 Drawing Sheets**

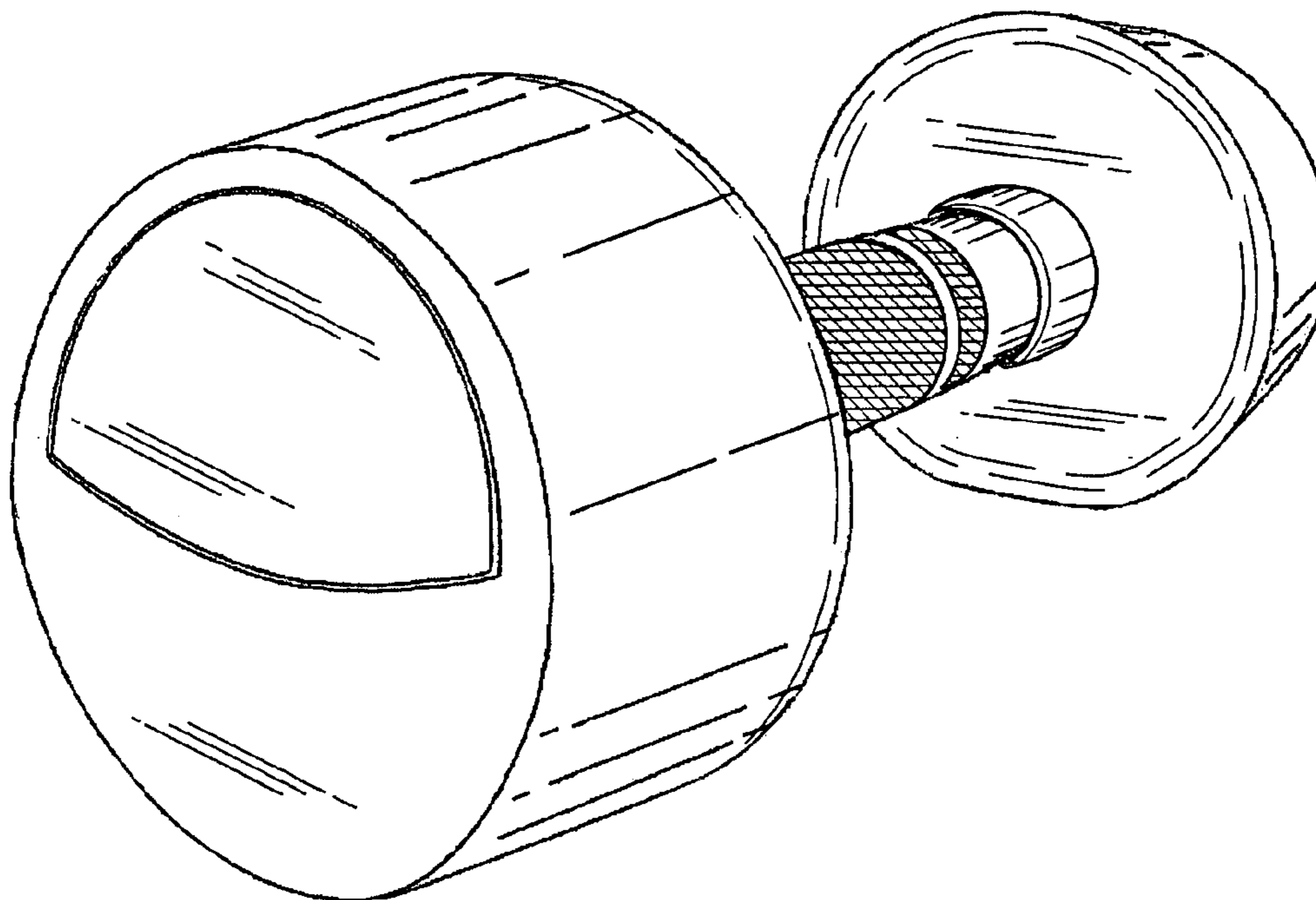


FIG. 1

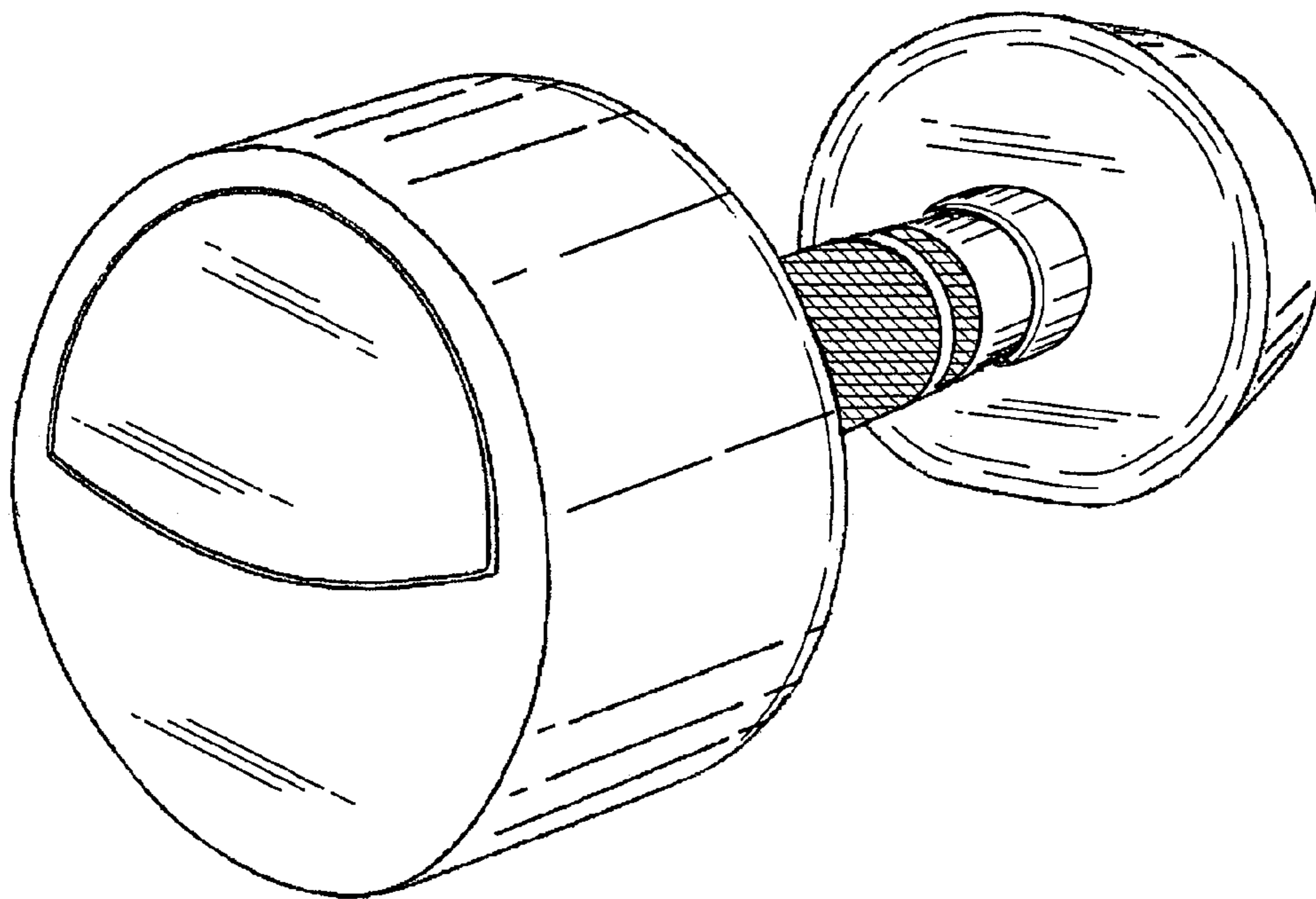
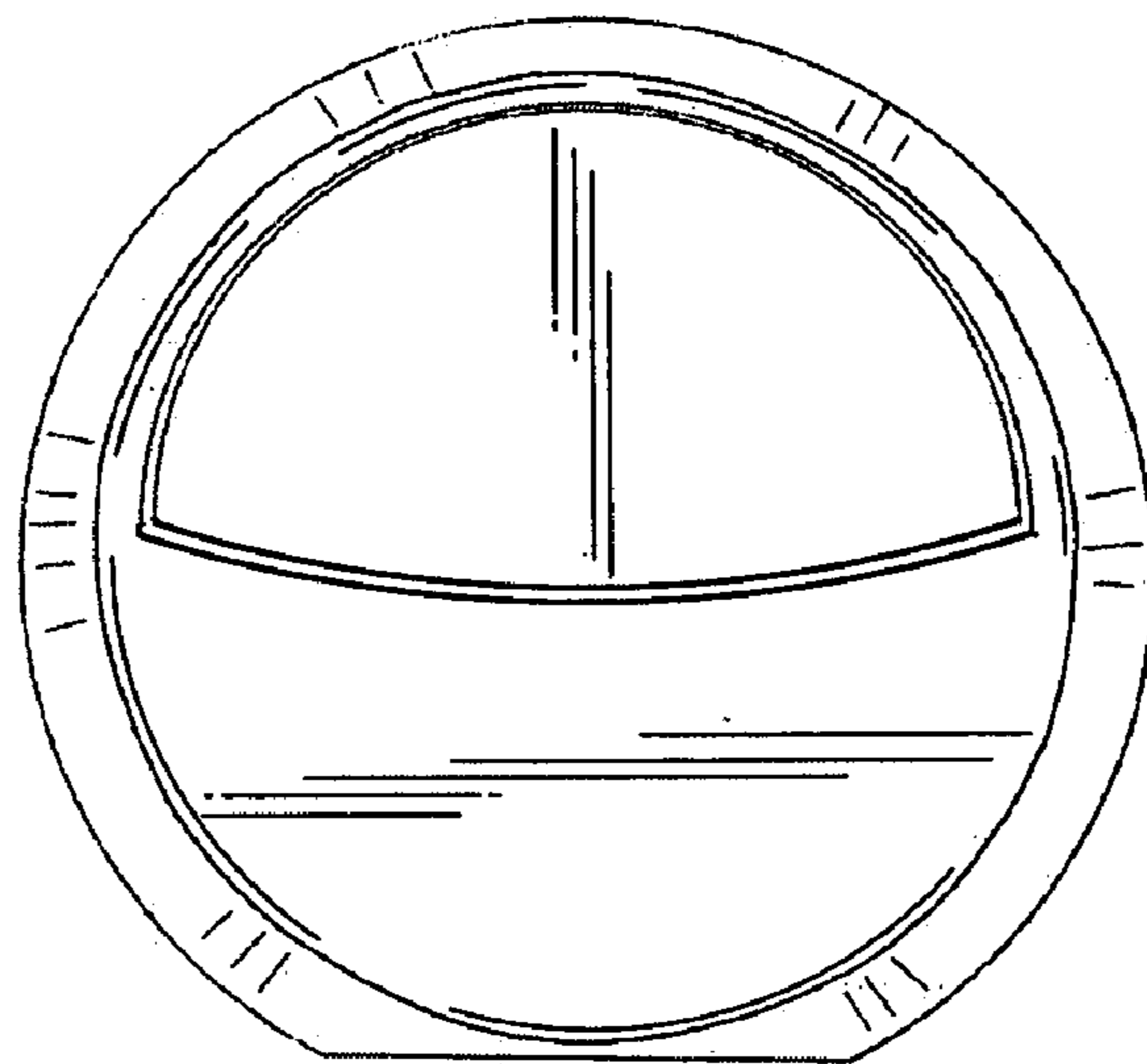


FIG. 2



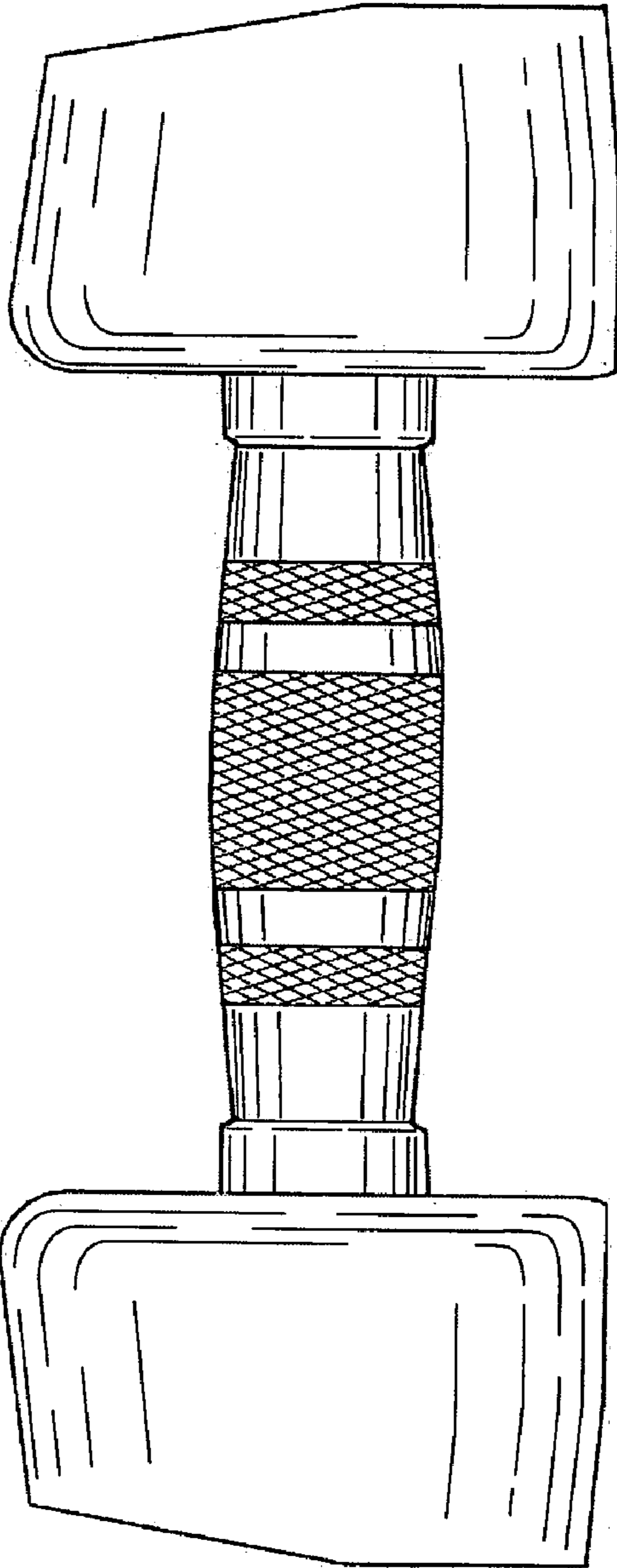


FIG. 3

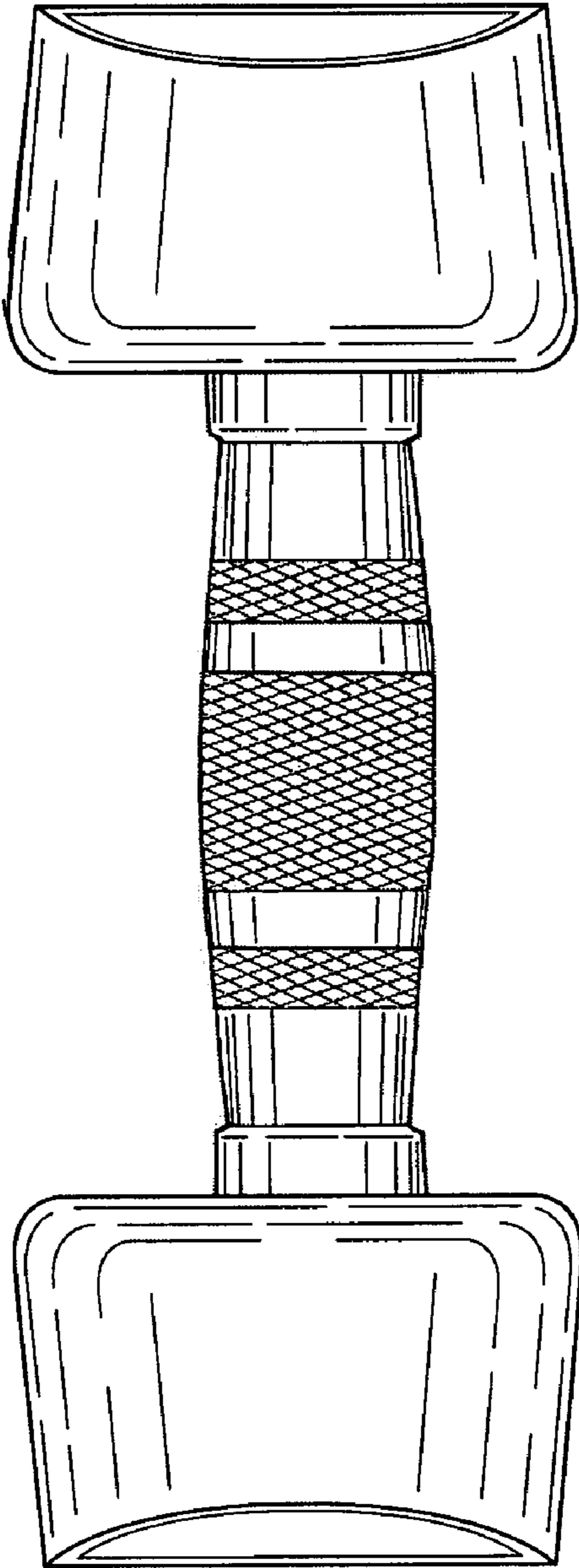


FIG. 4