



US00D567298S

(12) **United States Design Patent** (10) **Patent No.:** **US D567,298 S**
Jones et al. (45) **Date of Patent:** **** Apr. 22, 2008**

(54) **SEPTEMBER 11, 2001 COMMEMORATIVE CHESS SET**

(76) Inventors: **Donny L. Jones**, 512 Spring La., Columbia, TN (US) 38401; **Donny L. Jones, Sr.**, 512 Spring La., Columbia, TN (US) 38401; **William J. Jacob**, 324 E. 11th St., Ste. 101, Kansas City, MO (US) 64106

(**) Term: **14 Years**

(21) Appl. No.: **29/261,536**

(22) Filed: **Jun. 15, 2006**

(51) **LOC (8) Cl.** **21-01**

(52) **U.S. Cl.** **D21/349; D21/389; D21/350**

(58) **Field of Classification Search** **D21/334-369; 273/236-285**

See application file for complete search history.

(56) **References Cited**

U.S. PATENT DOCUMENTS

D375,532 S	11/1996	Branham
D427,246 S	6/2000	Coady
D469,817 S	2/2003	Hargrave
D475,500 S	6/2003	Zou
D493,198 S	7/2004	Starkel
D511,854 S	11/2005	Gaitan
D513,770 S	1/2006	Malkovich
D516,130 S	2/2006	Mathe

OTHER PUBLICATIONS

www.nobelprize.org. Martin Luther King Nobel Peace Prize 1964 Acceptance Speech.*

* cited by examiner

Primary Examiner—Sandra L. Morris

(74) *Attorney, Agent, or Firm*—Jacob & Associates, LLC; William J. Jacob

(57) **CLAIM**

The ornamental design for a Sep. 11, 2001 commemorative chess set, as shown and described.

DESCRIPTION

FIG. 1 is a front elevation view of a first embodiment of the pieces of the chess set, showing a fireman (pawn), a policeman on horseback (knight), a miniature at least generally depicting the St. Patrick's Cathedral in New York City (bishop), a miniature at least generally depicting the original Twin Towers (rook), a miniature at least generally depicting the Statue of Liberty (queen), and a miniature at least generally depicting the Empire State building (king);

FIG. 2 is a front elevation view of a second embodiment of the pieces of the chess set, showing a fireman (pawn), a policeman on horseback (knight), a miniature at least generally depicting the Empire State building (bishop), two separate miniatures at least generally depicting the Twin Towers (each being a rook), a miniature at least generally depicting the Statue of Liberty (queen), and a tattered flag wrapped around a flag-pole (king);

FIG. 3 is an enlarged front elevation view of the fireman holding an ax (pawn) shown for ease of illustration;

FIG. 4 is a rear elevational view thereof;

FIG. 5 is a side elevational view thereof;

FIG. 6 is a top view thereof;

FIG. 7 is an enlarged left side view of the police officer on horseback shown for ease of illustration;

FIG. 8 is a right view thereof;

FIG. 9 is a front view thereof;

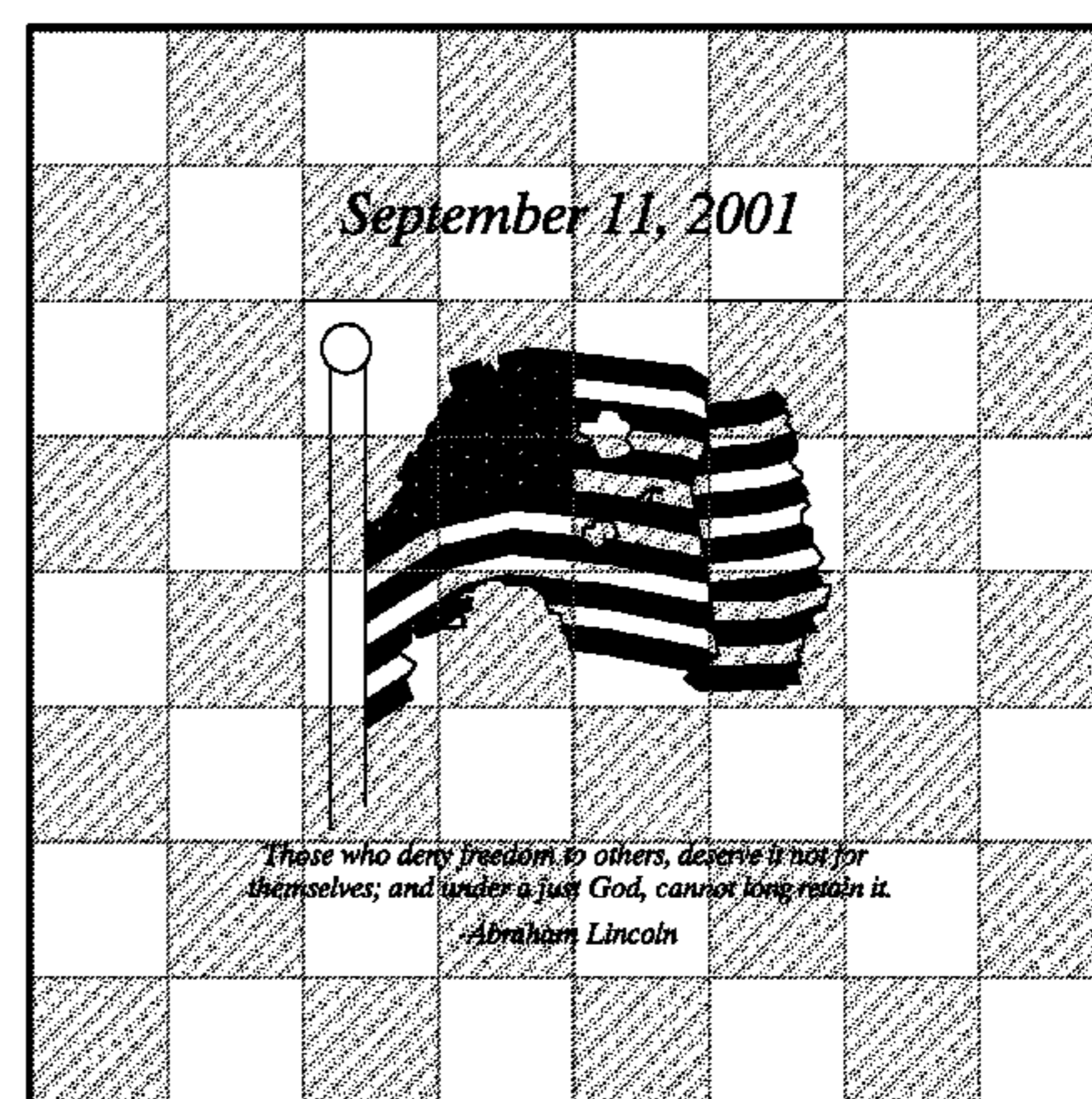
FIG. 10 is a top view thereof;

FIG. 11 is an enlarged elevation view of the tattered flag wrapped around a flagpole shown for ease of illustration;

FIG. 12 is a top view thereof; and,

FIG. 13 is a top plan view of a game board.

1 Claim, 4 Drawing Sheets



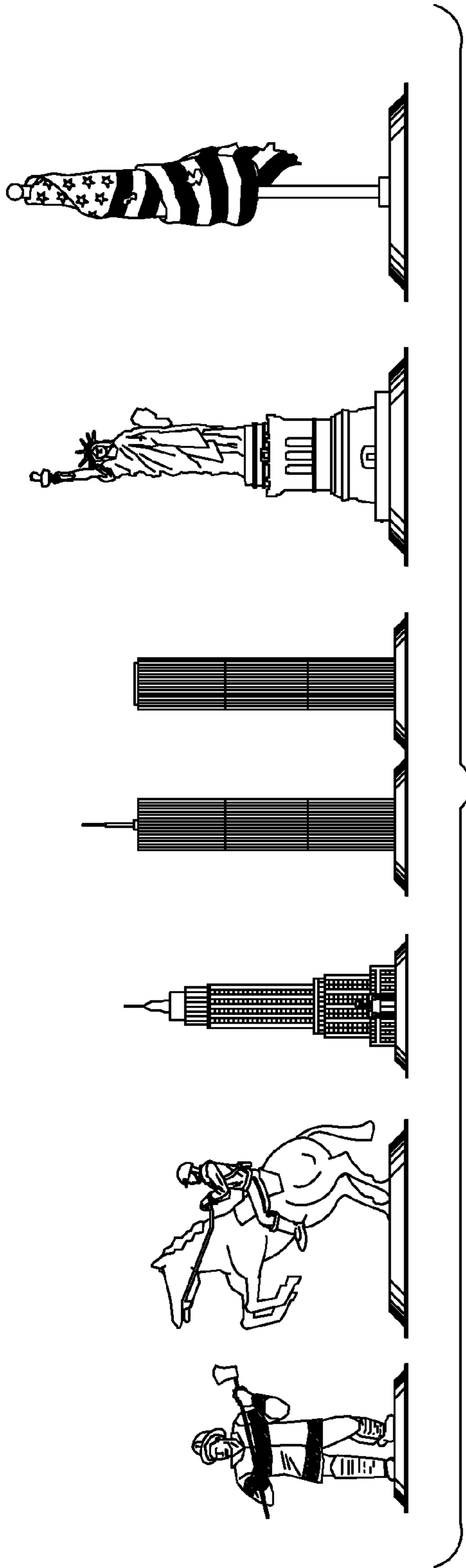


FIG. 2

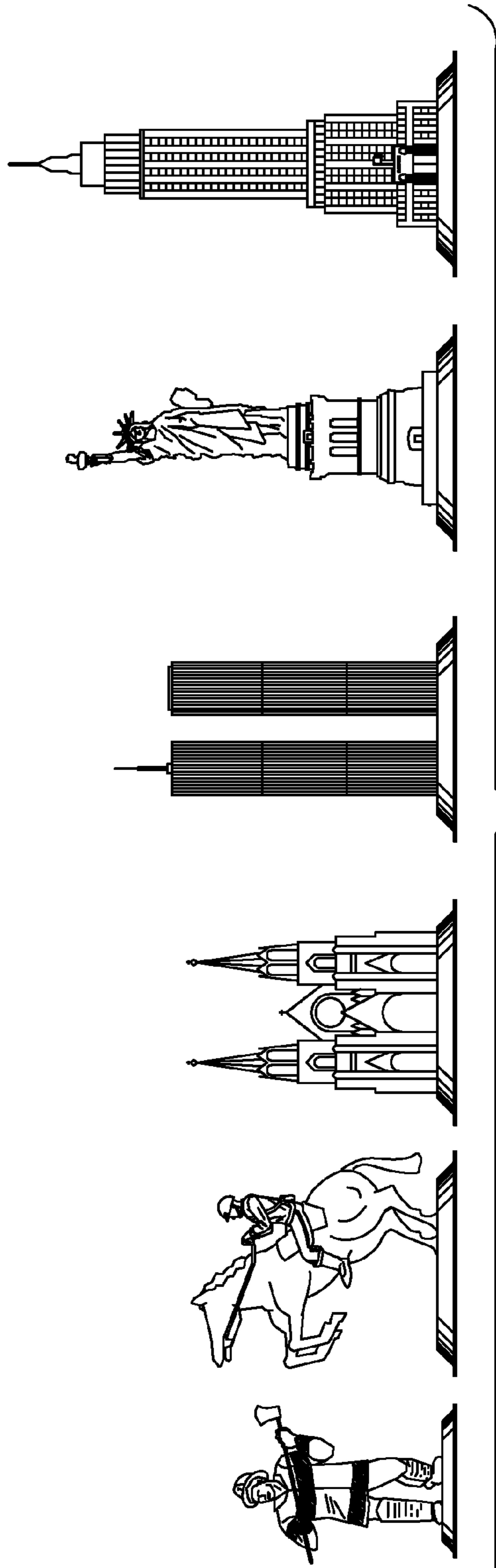


FIG. 1

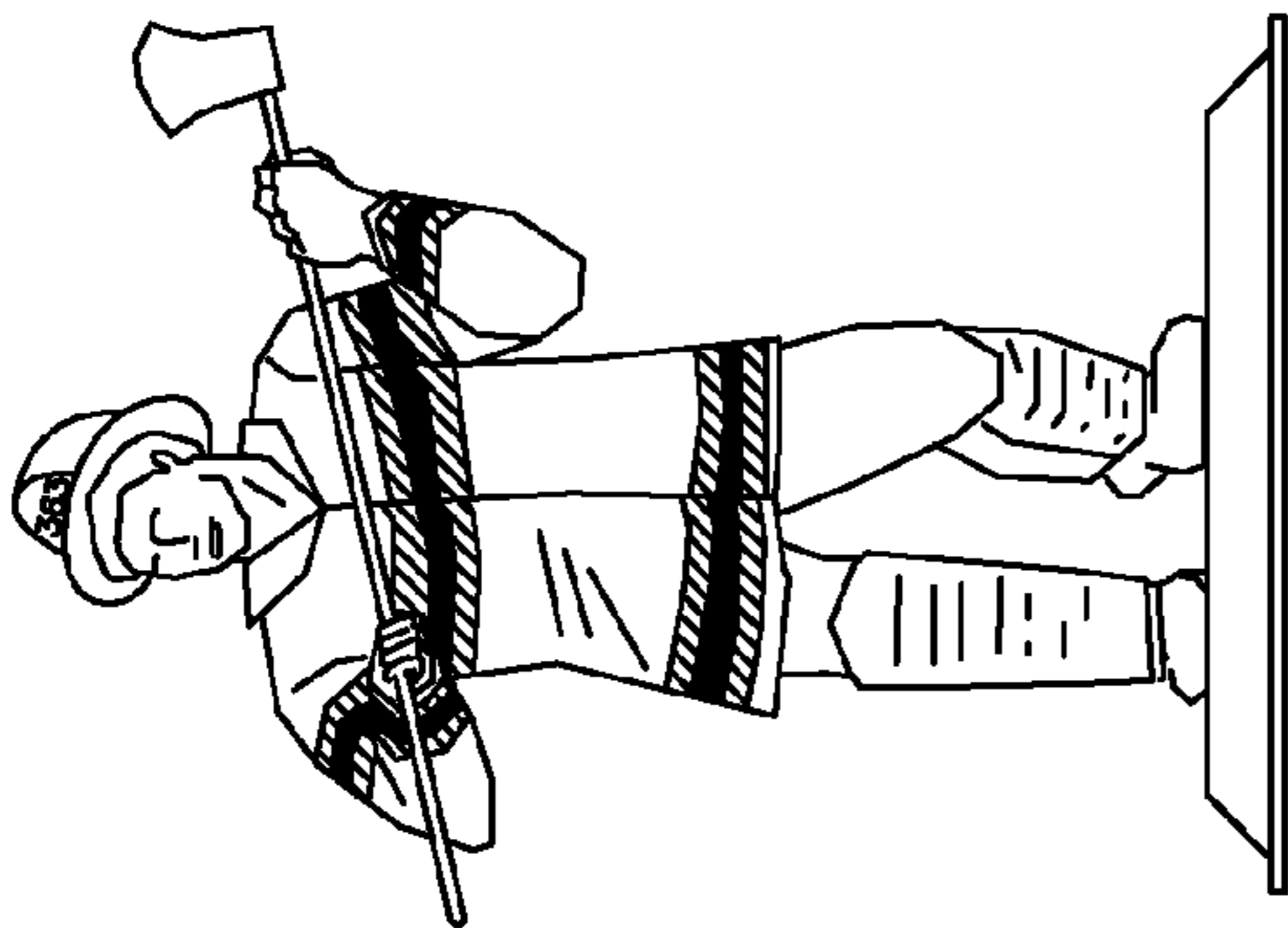


FIG. 3

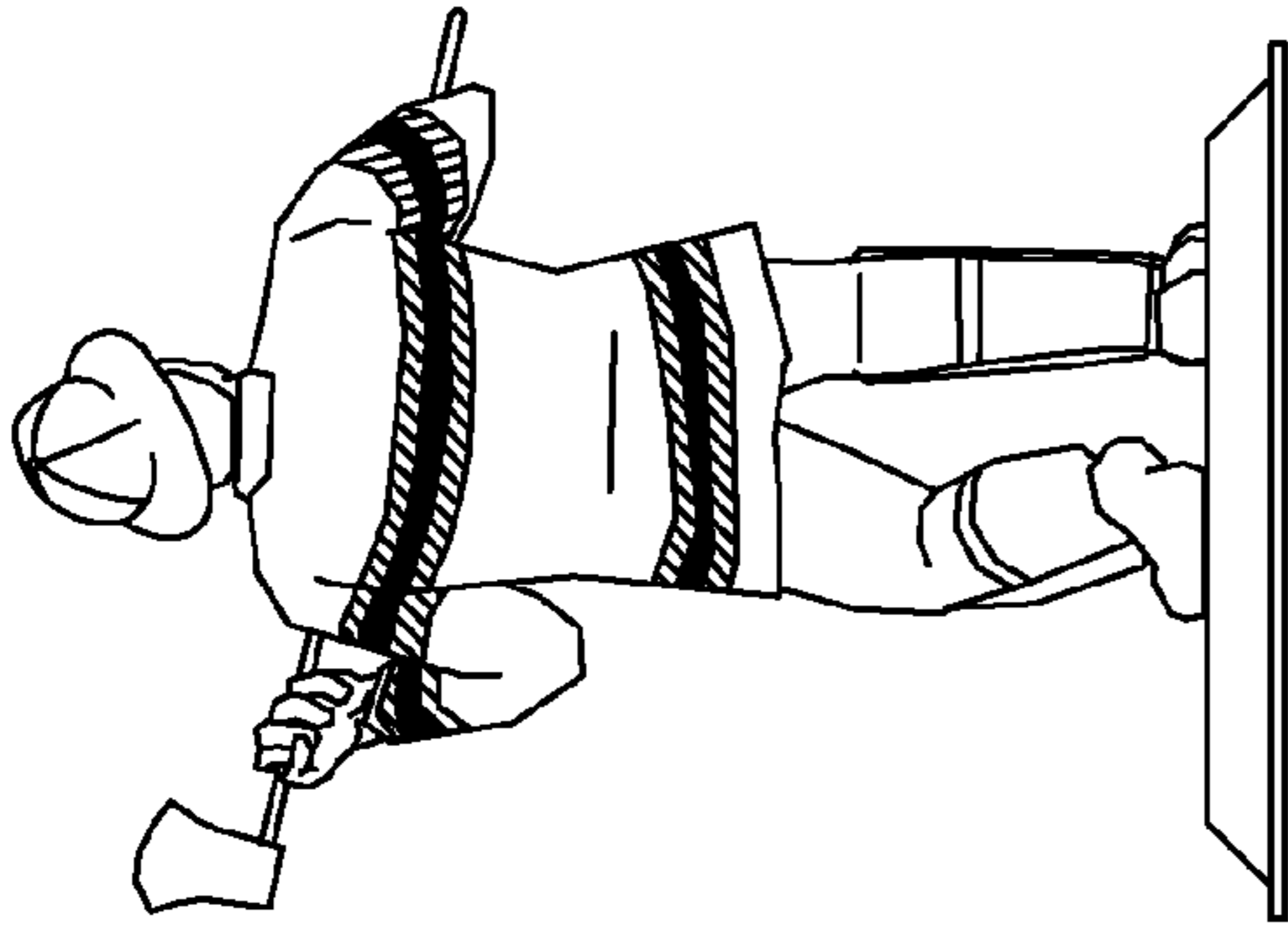


FIG. 4

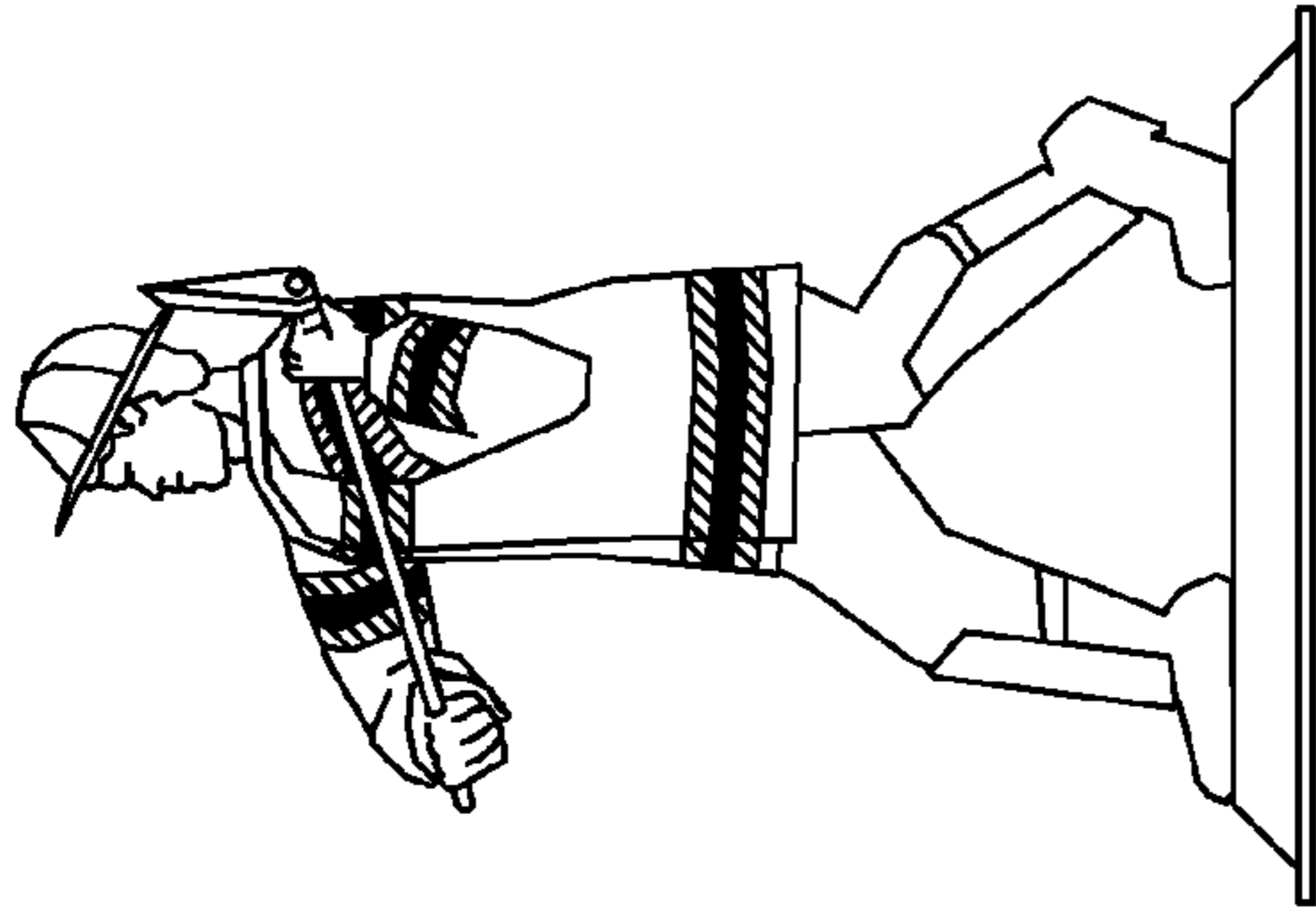


FIG. 5

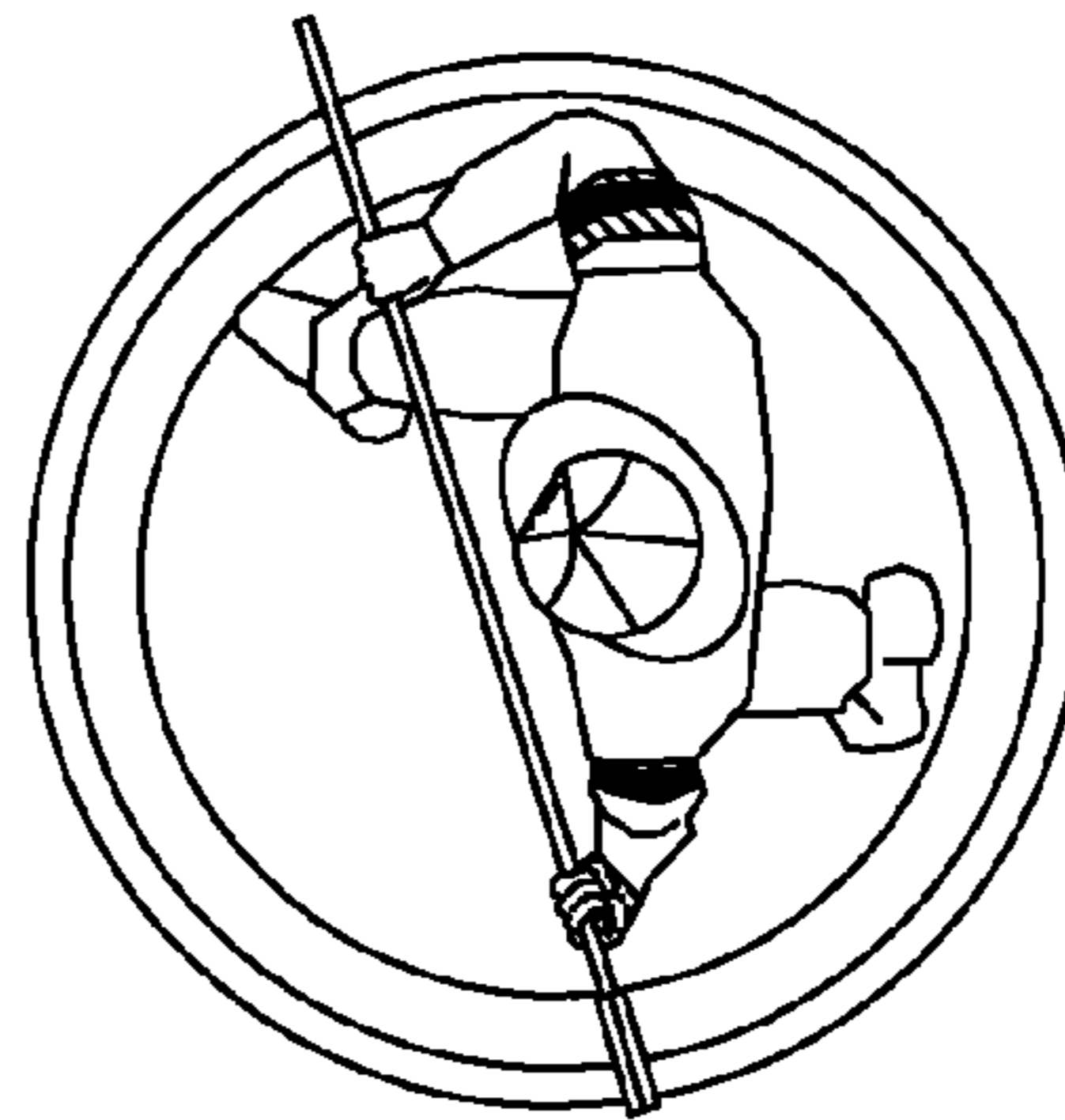


FIG. 6



FIG. 7

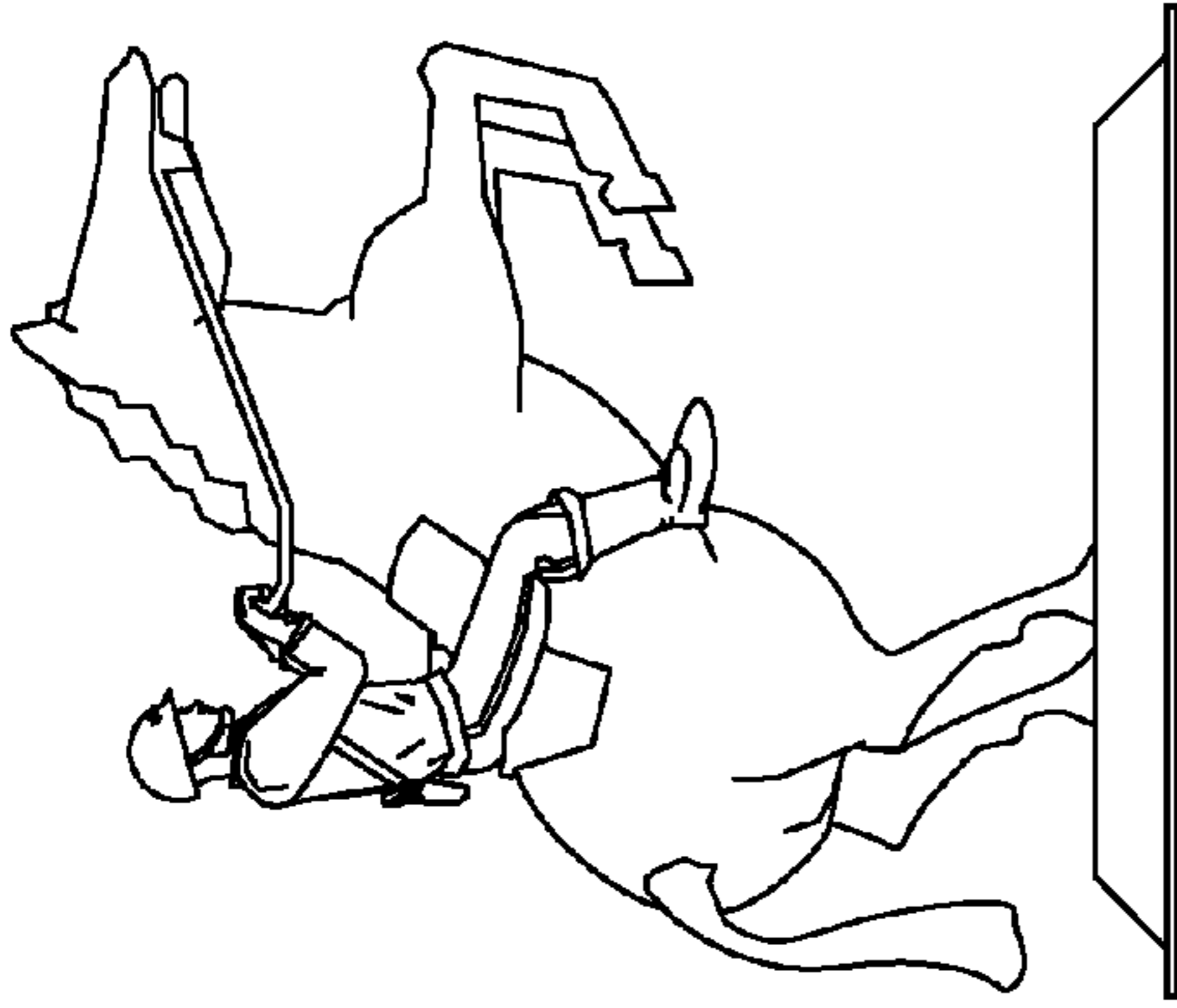


FIG. 8

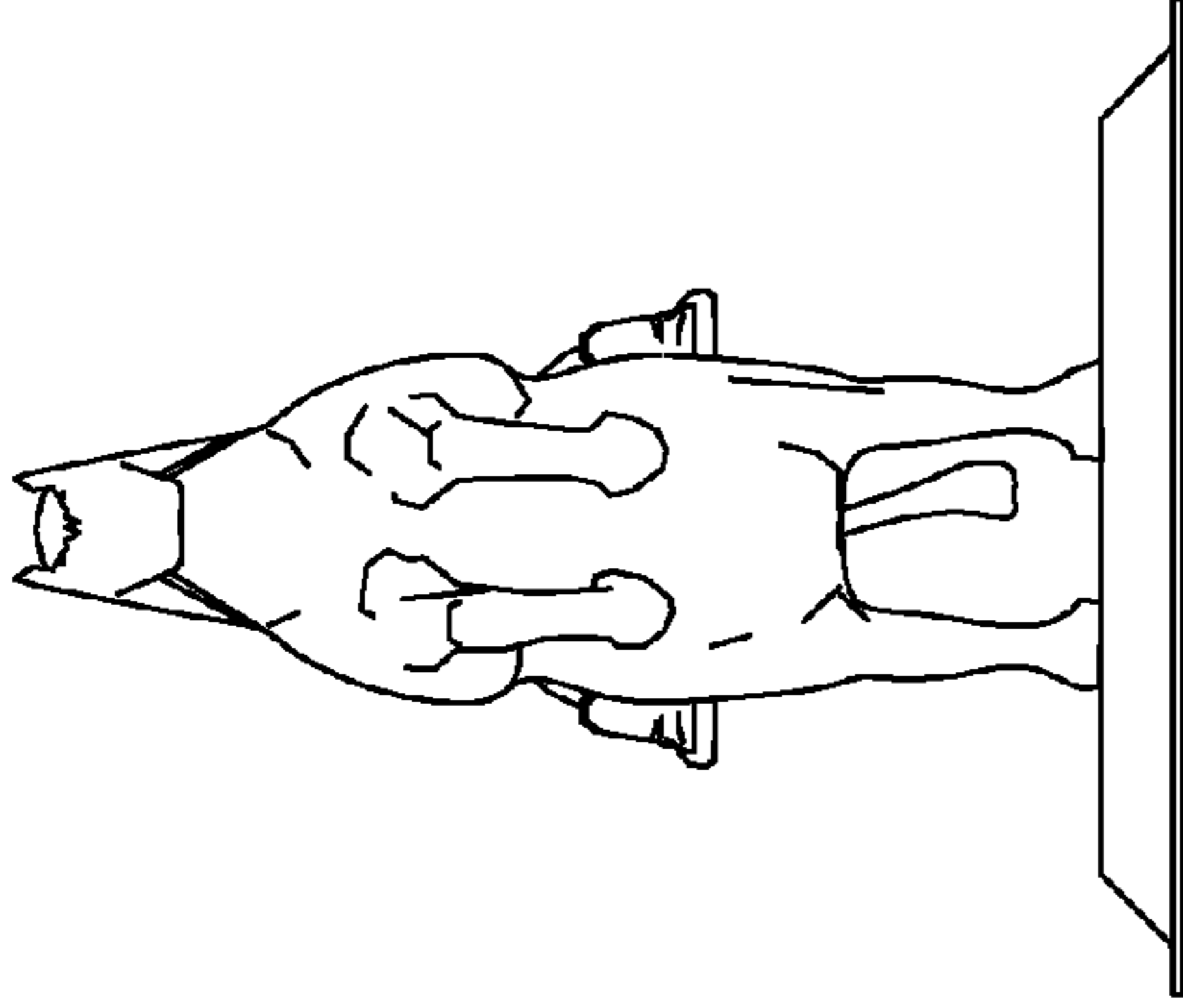


FIG. 9

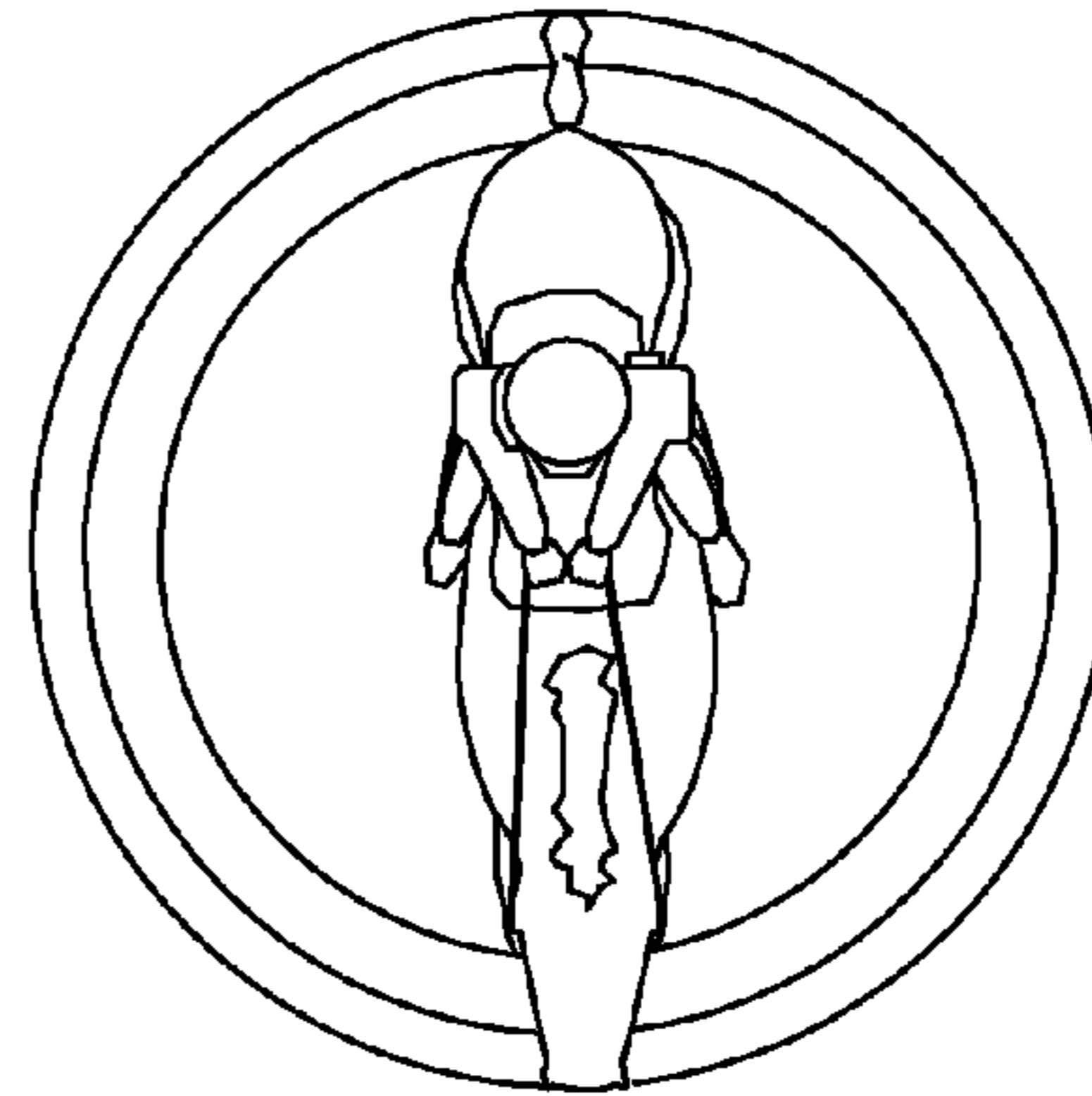


FIG. 10

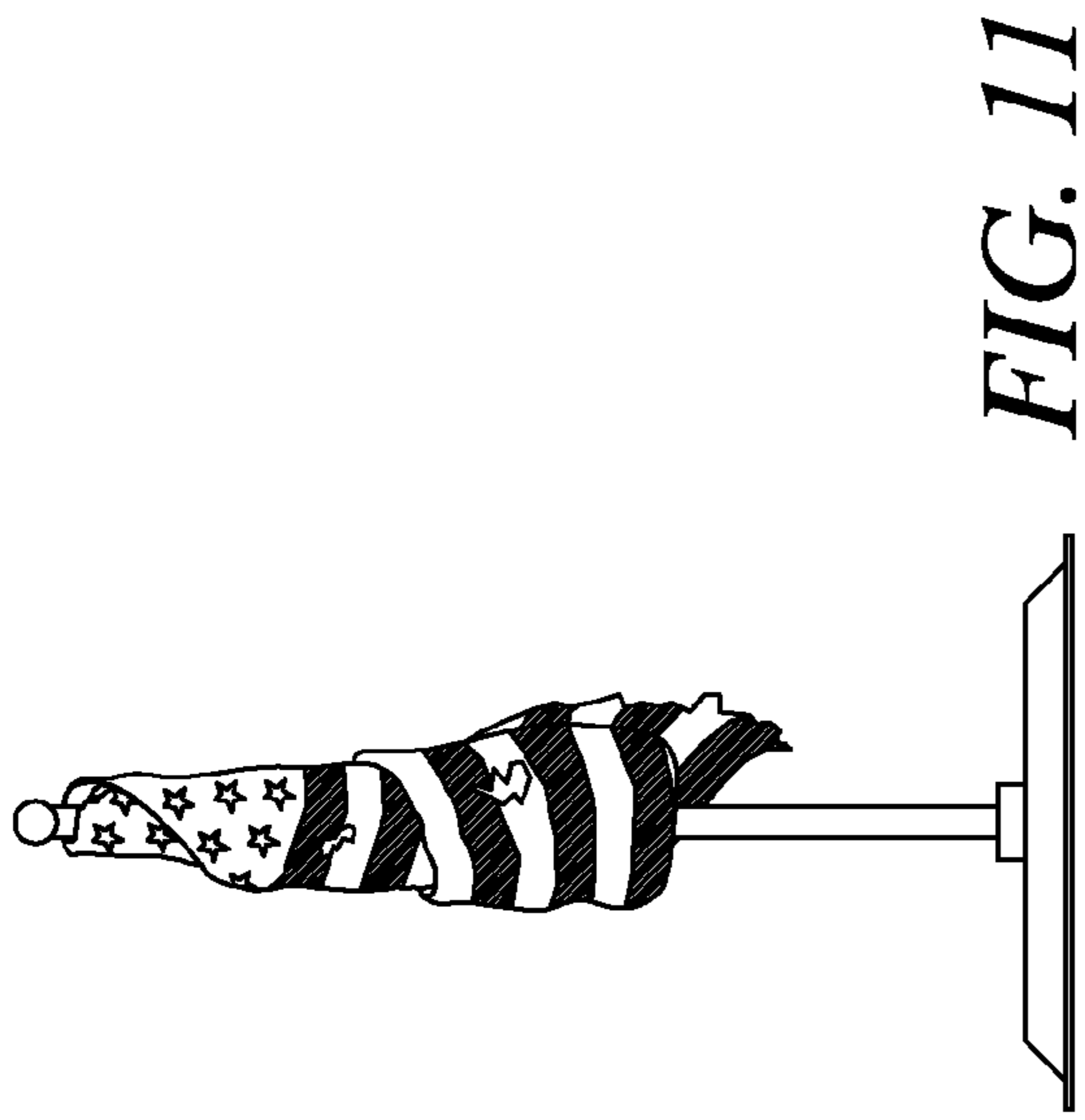


FIG. 11

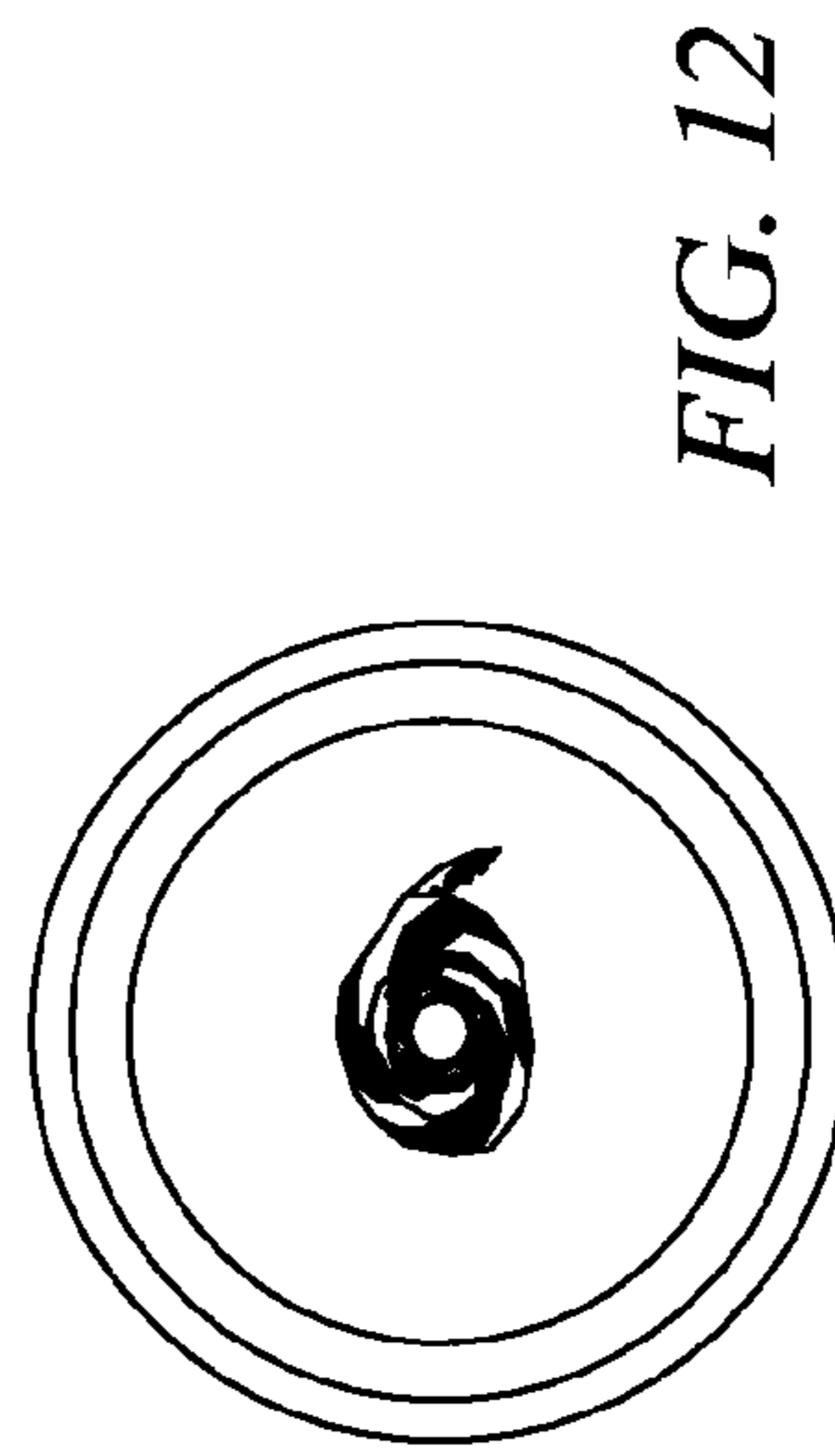


FIG. 12

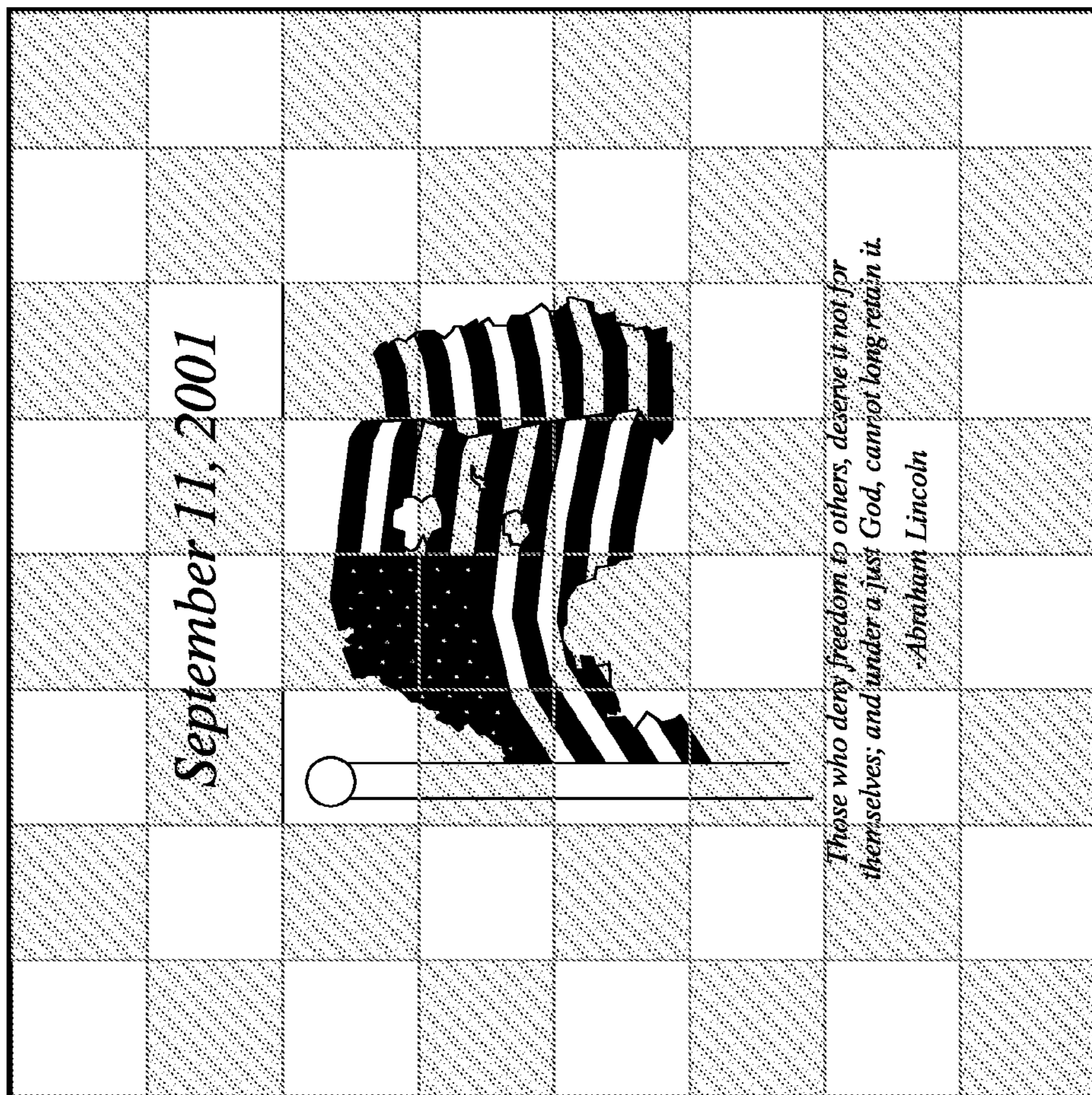


FIG. 13