



US00D567296S

(12) **United States Design Patent**  
**Kharitonova et al.**

(10) **Patent No.:** **US D567,296 S**  
(45) **Date of Patent:** **\*\* Apr. 22, 2008**

(54) **LASER SHOOTING GALLERY**

(75) Inventors: **Anna Kharitonova**, Baltimore, MD (US); **Igor Troitski**, 853 Arrowhead Trail, Henderson, NV (US) 89015

(73) Assignee: **Igor Troitski**, Henderson, NV (US)

(\*\*) Term: **14 Years**

(21) Appl. No.: **29/253,804**

(22) Filed: **Feb. 13, 2006**

(51) **LOC (8) Cl.** ..... **21-01**

(52) **U.S. Cl.** ..... **D21/302**

(58) **Field of Classification Search** ..... D21/330-302, D21/324, 325; 273/348, 348.1, 349, 358, 273/407, 460, 459, 148 B; 250/226; 352/85, 352/43, 242, 198, 95; 463/31-34, 46, 47  
See application file for complete search history.

(56) **References Cited**

**U.S. PATENT DOCUMENTS**

- 3,941,973 A \* 3/1976 Luck et al. .... 219/121.68
- D249,811 S \* 10/1978 Tucker ..... D25/5
- D256,163 S \* 7/1980 Dryer ..... D25/26
- 4,588,885 A \* 5/1986 Lovoi et al. .... 134/1
- 4,850,596 A \* 7/1989 Olund ..... 273/408
- 5,026,152 A \* 6/1991 Sharkey ..... 352/85

- 5,449,879 A \* 9/1995 Lawson et al.
- 5,549,303 A \* 8/1996 Kastner ..... 273/349
- 6,110,039 A \* 8/2000 Oh ..... 463/2
- 6,338,487 B2 \* 1/2002 Kang ..... 273/368
- 6,472,295 B1 \* 10/2002 Morris et al. .... 438/463
- 6,561,809 B1 \* 5/2003 Lynch et al. .... 434/16
- 6,746,329 B1 \* 6/2004 Duhamel ..... 463/20
- D525,312 S \* 7/2006 Rinehart ..... D21/302

\* cited by examiner

*Primary Examiner*—Prabhakar Deshmukh

(57) **CLAIM**

The ornamental design for a laser shooting gallery, as shown and described.

**DESCRIPTION**

FIG. 1 is a top, front and left side perspective view of a laser shooting gallery showing our new design;

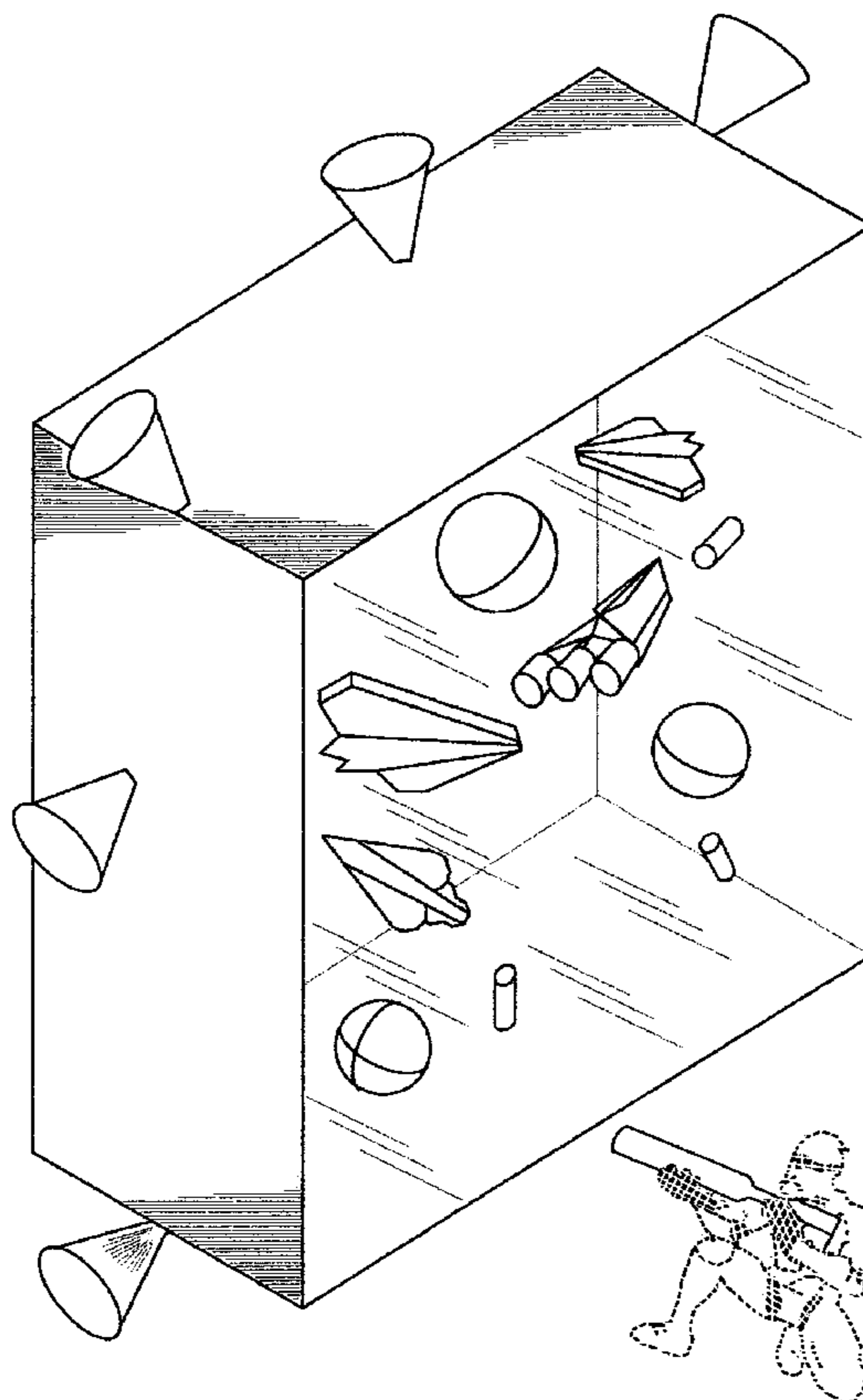
FIG. 2 is a front elevational view thereof;

FIG. 3 is a left side elevational view thereof, the right side elevational view being a mirror image thereof; and,

FIG. 4 is a top plan view thereof, the bottom plan view being a mirror image thereof.

The broken lines showing of a human figure is for illustrative purpose only and forms no part of the claimed design.

**1 Claim, 3 Drawing Sheets**



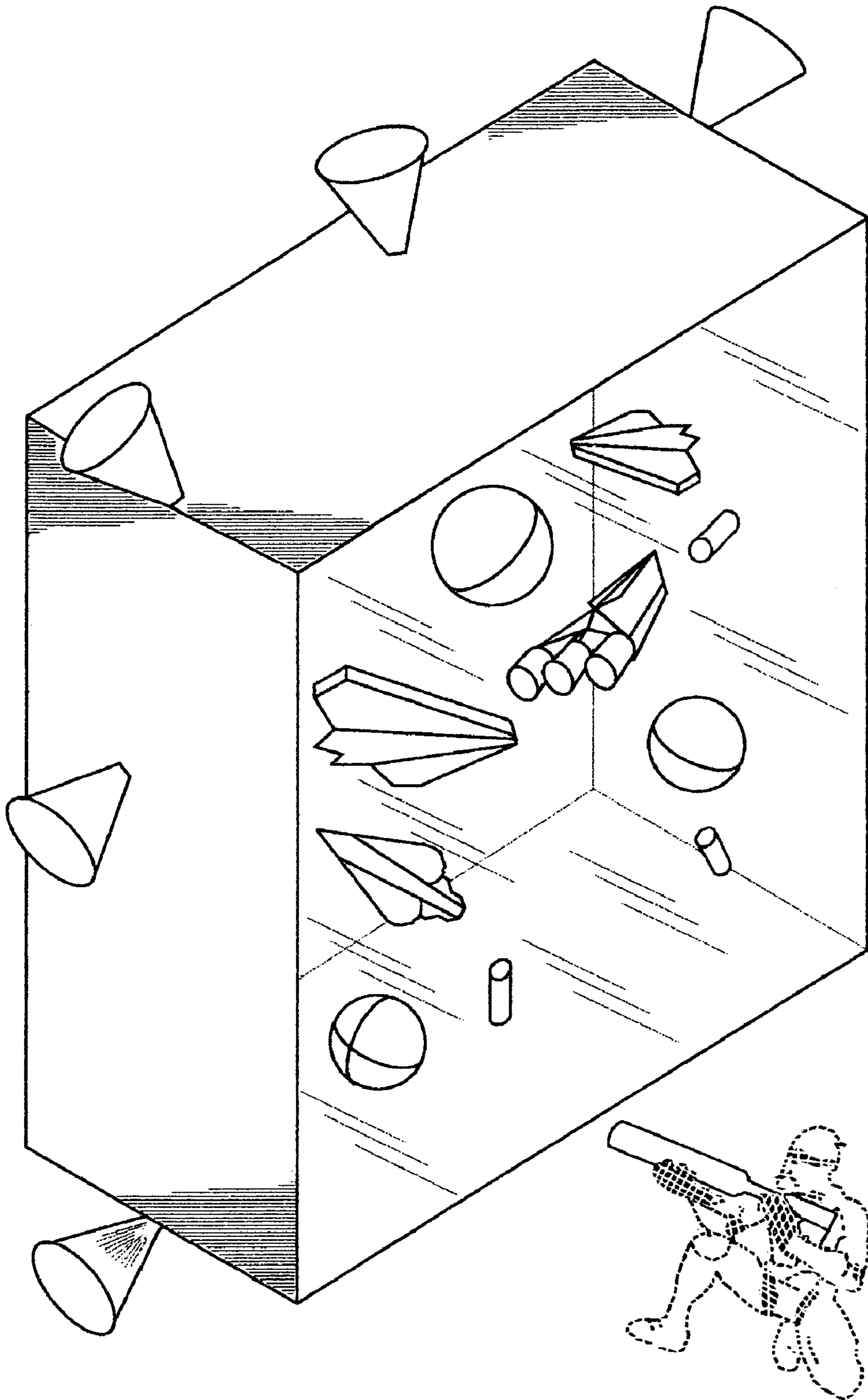


Figure 1

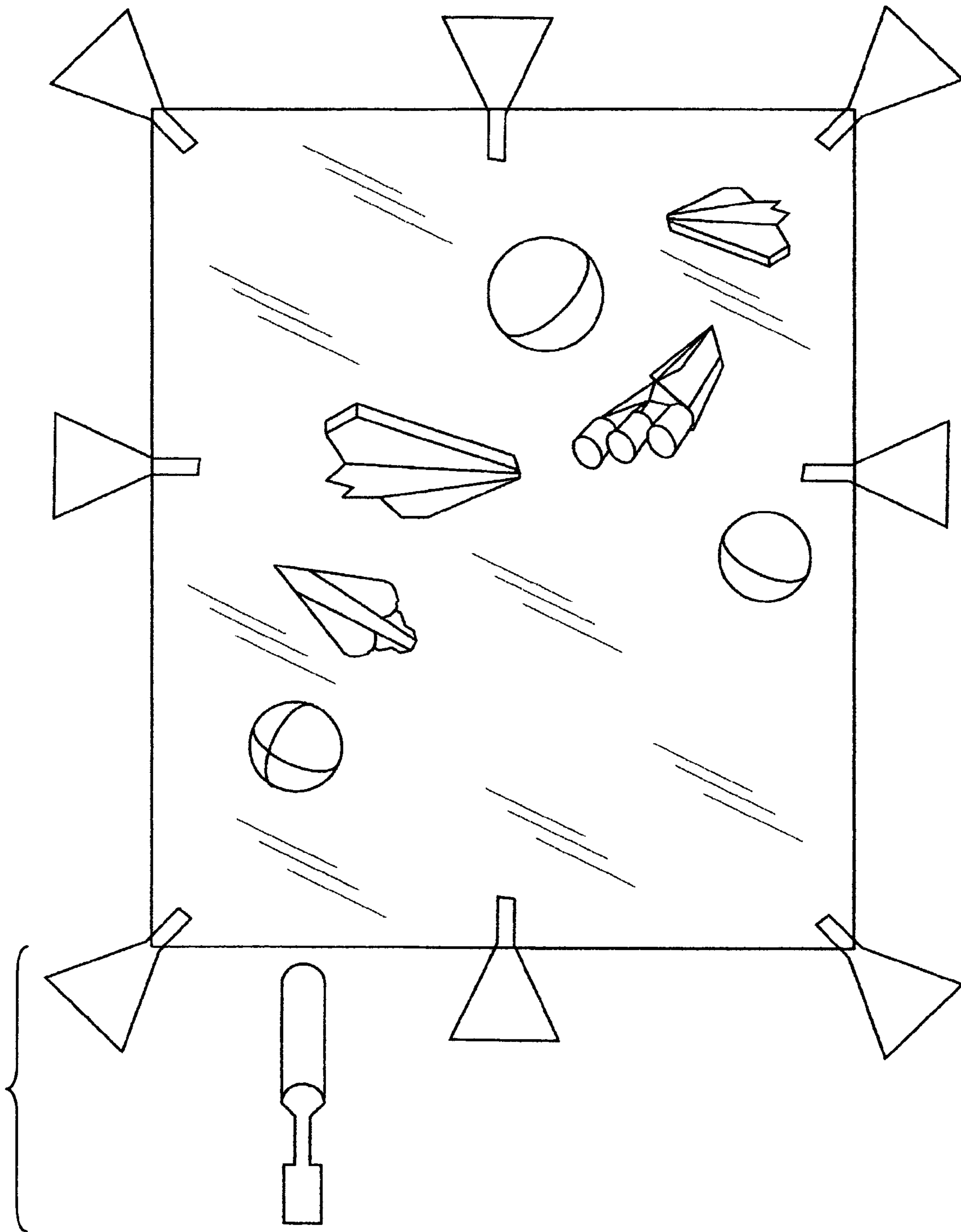


Figure 2

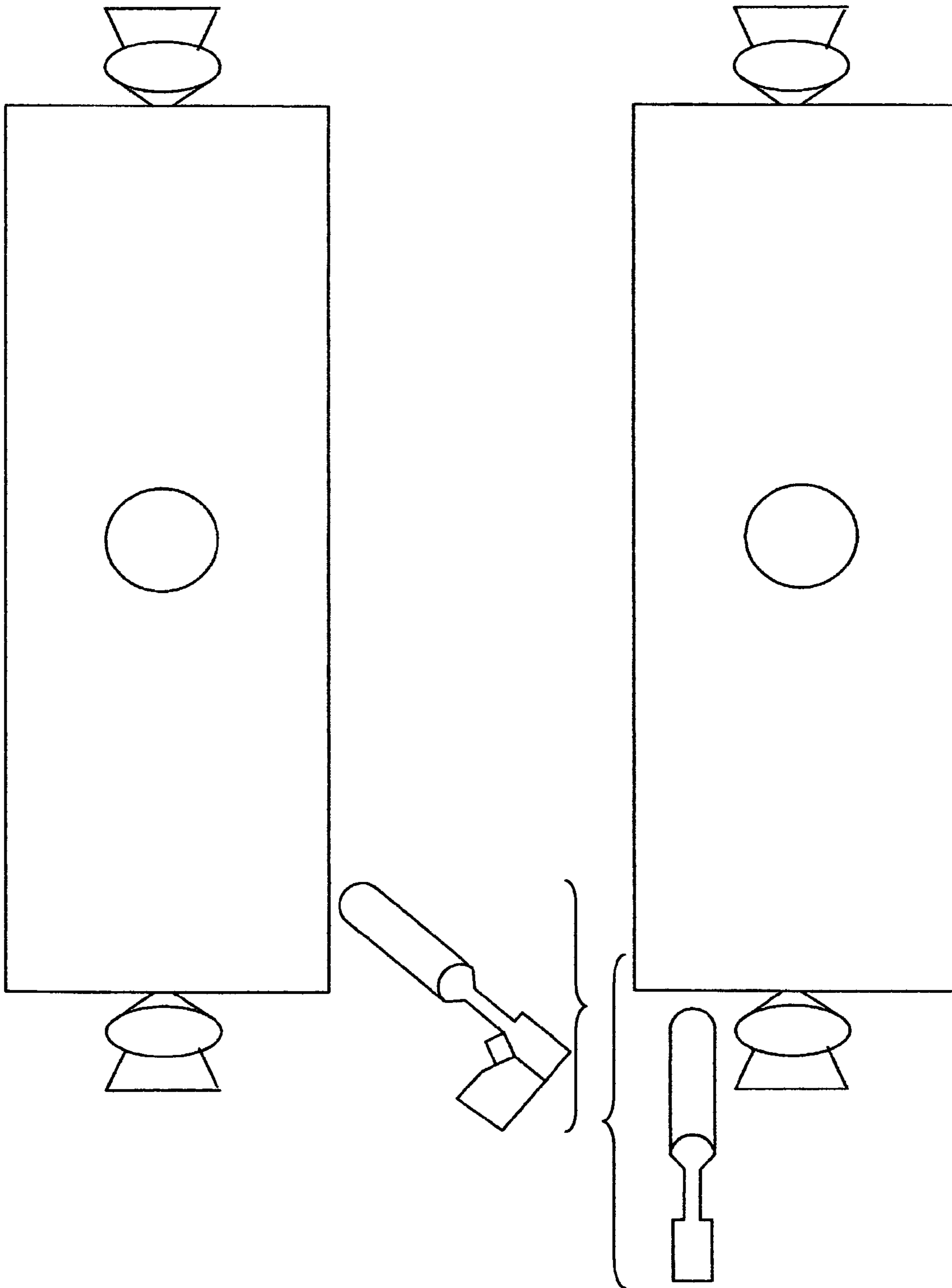


Figure 3

Figure 4